



US00D802147S

(12) **United States Design Patent**
Konrad

(10) **Patent No.:** **US D802,147 S**

(45) **Date of Patent:** **** Nov. 7, 2017**

- (54) **DENTAL BLANK HOLDER** 2009/0275000 A1* 11/2009 Jung A61C 13/0004
433/223
- (71) Applicant: **Ivoclar Vivadent AG**, Schaan (LI) 2016/0158903 A1* 6/2016 Konrad A61C 13/0022
269/309
- (72) Inventor: **Erich Konrad**, Feldkirch (AT) 2016/0193020 A1* 7/2016 Fix A61C 13/0022
29/896.1

(73) Assignee: **IVOCLAR VIVADENT AG**, Schaan (LI) * cited by examiner

(**) Term: **15 Years**

Primary Examiner — Wan Laymon
(74) *Attorney, Agent, or Firm* — Hodgson Russ LLP

(21) Appl. No.: **29/581,497**

(22) Filed: **Oct. 19, 2016**

(57) **CLAIM**

Related U.S. Application Data

The ornamental design for a dental blank holder, as shown and described.

(62) Division of application No. 29/519,833, filed on Mar. 9, 2015, now Pat. No. Des. 775,359.

Foreign Application Priority Data

DESCRIPTION

Dec. 4, 2014 (WO) 857208301

FIG. 1 is a perspective view of a dental blank holder showing my new design;

(51) **LOC (10) Cl.** **24-02**

FIG. 2 is a perspective view thereof showing the dental blank holder holding exemplary dental blanks;

(52) **U.S. Cl.**

FIG. 3 is a front view thereof;

USPC **D24/181**

FIG. 4 is a rear view thereof;

(58) **Field of Classification Search**

USPC D24/152, 155–156, 176, 181

FIG. 5 is a left side view thereof;

CPC B23Q 3/103; B23Q 3/104; B23Q 3/062;

FIG. 6 is a right side view thereof;

A61C 13/0022; A61C 13/00; A61C

FIG. 7 is a cross-sectional view taken along line 7-7 in FIG. 3;

13/34; A61C 13/0009; A61C 13/0003;

FIG. 8 is a top view thereof;

A61C 13/0019; A61C 13/12

FIG. 9 is a bottom view thereof; and,

See application file for complete search history.

FIG. 10 is a cross-sectional view taken along line 10-10 in FIG. 3.

(56) **References Cited**

The short dash broken lines illustrate unclaimed and environmental features that form no part of the claimed design. The long dash-short dash lines represent boundaries of the claimed design.

U.S. PATENT DOCUMENTS

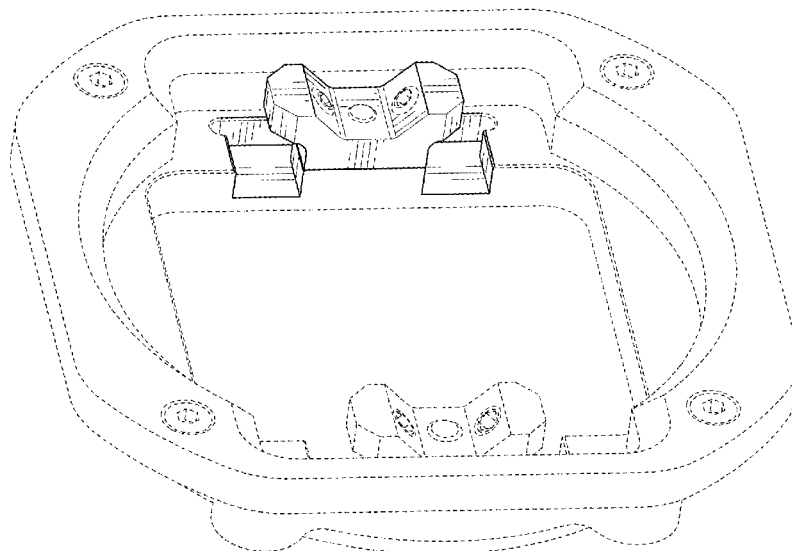
D675,325 S * 1/2013 Ganley A61C 13/0022

D24/181

8,551,622 B2 * 10/2013 Ganley A61C 13/0022

409/117

1 Claim, 6 Drawing Sheets



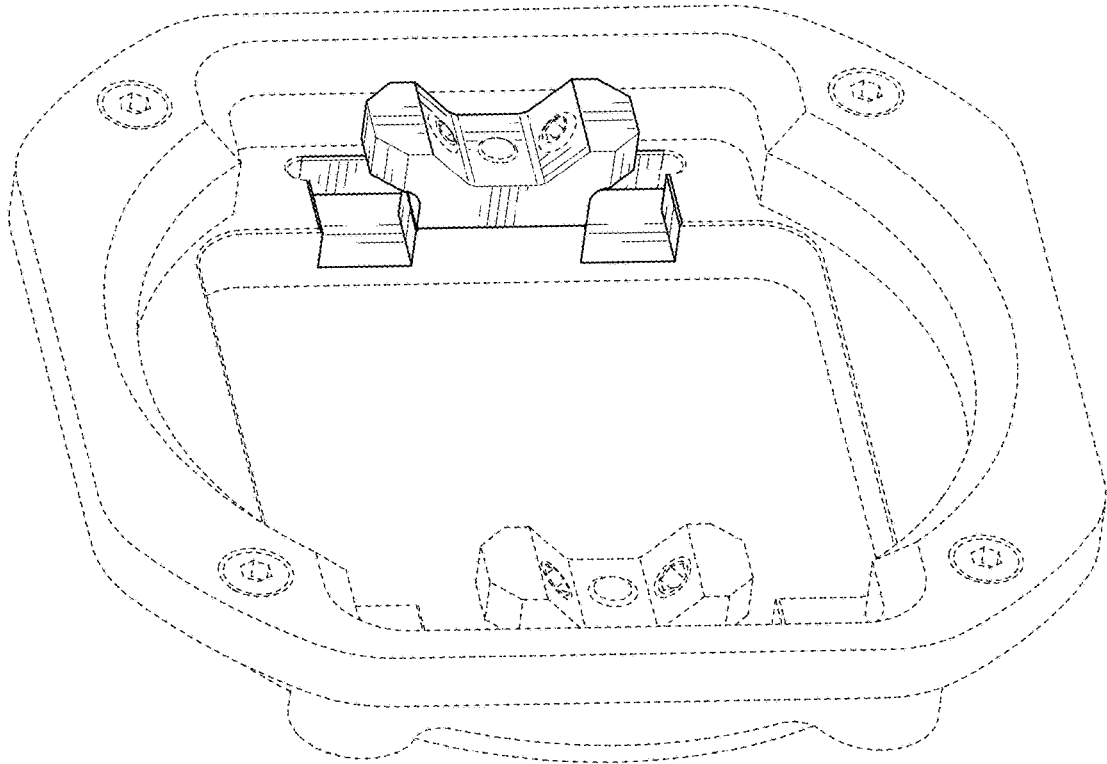


Fig. 1

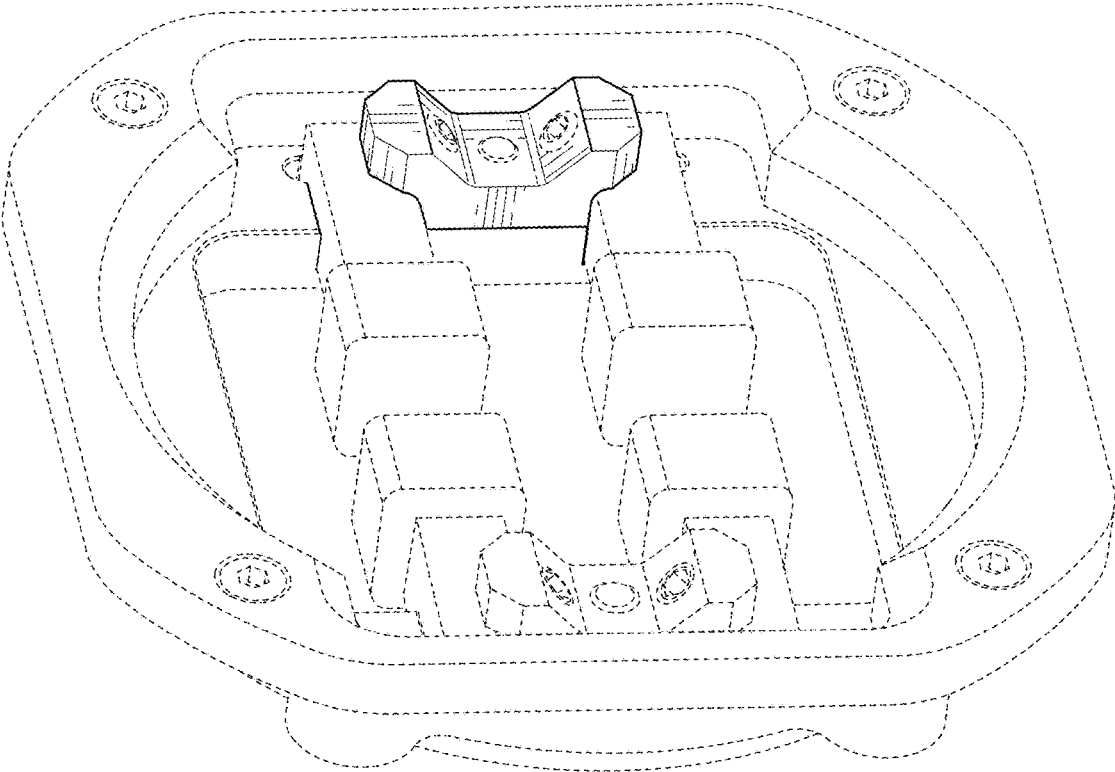


Fig. 2

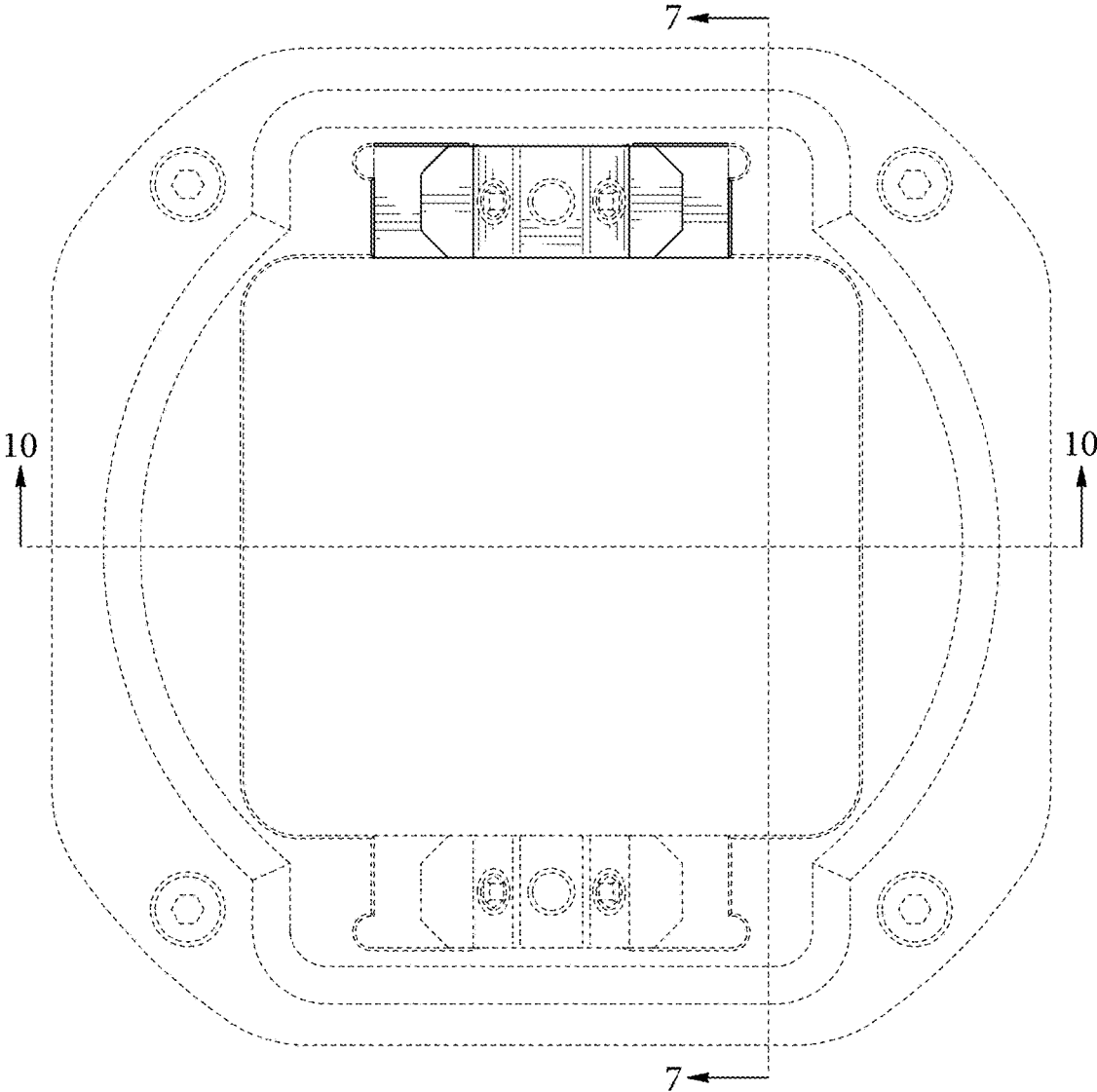


Fig. 3

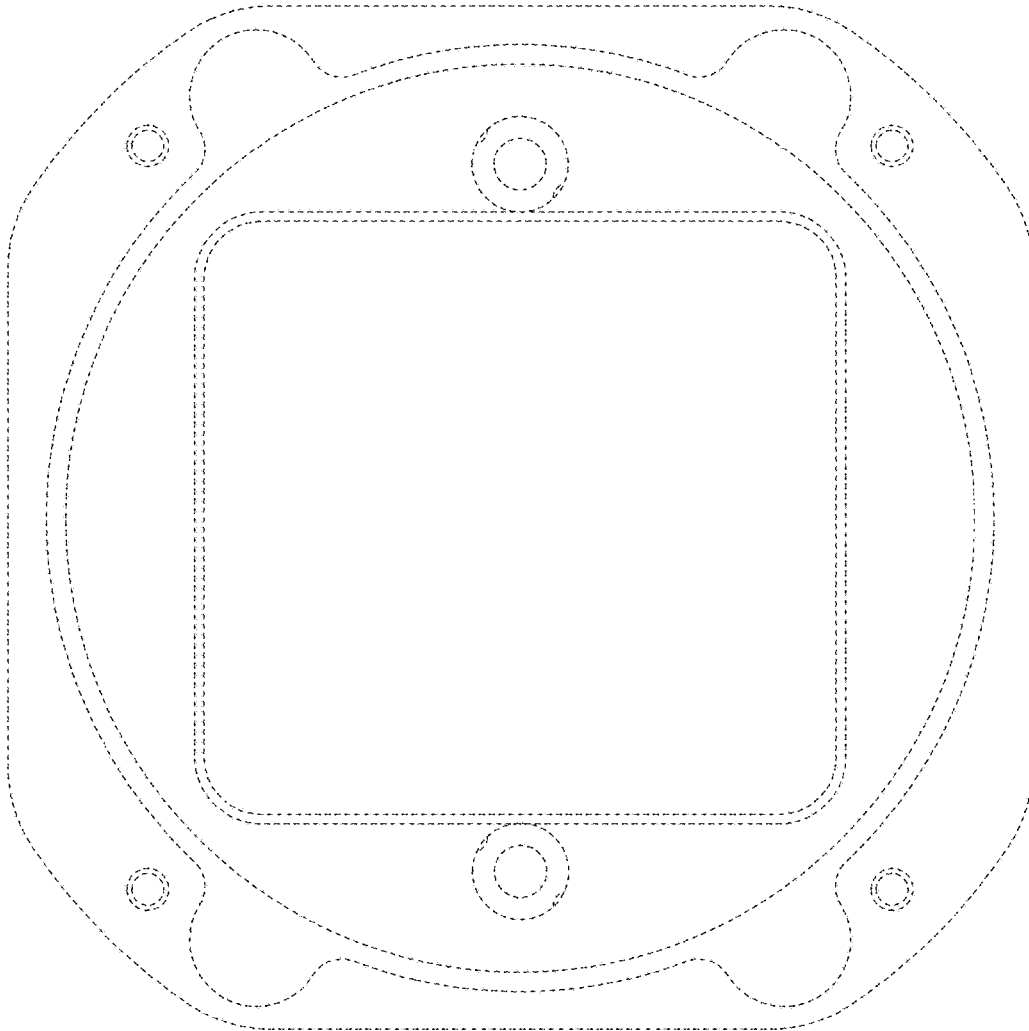


Fig. 4

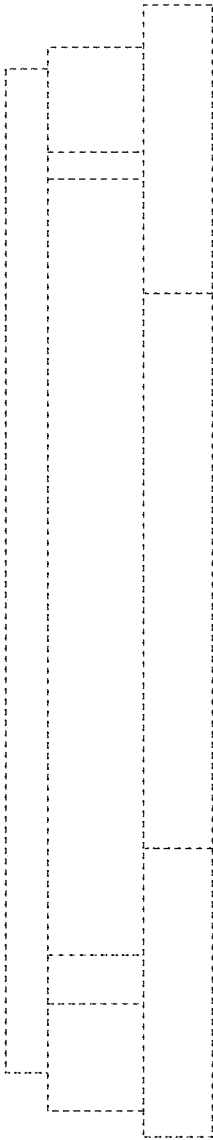


Fig. 5

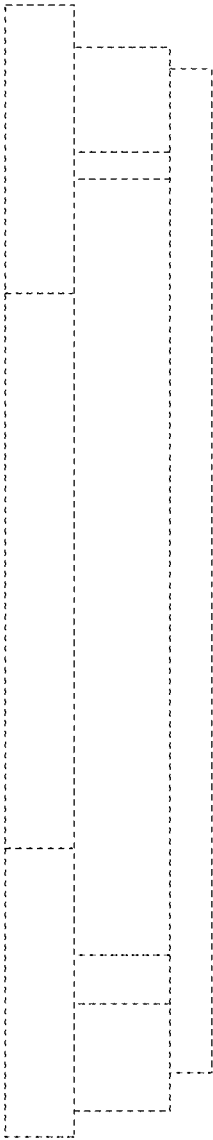


Fig. 6

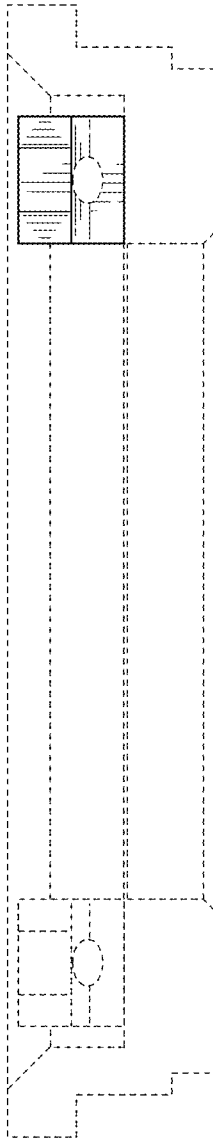


Fig. 7

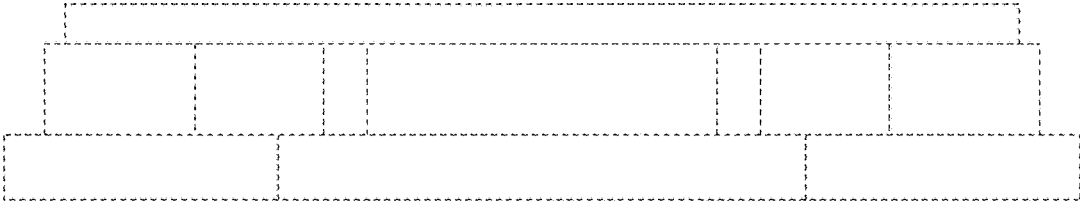


Fig. 8

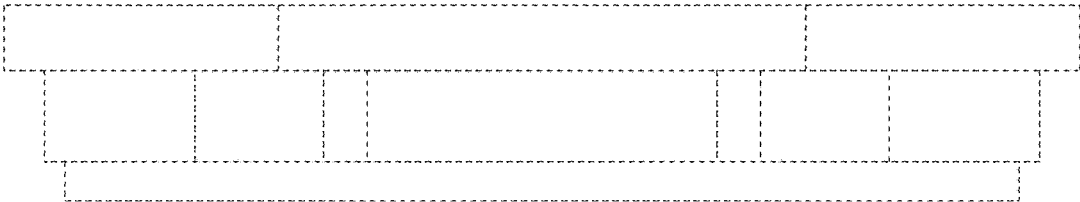


Fig. 9

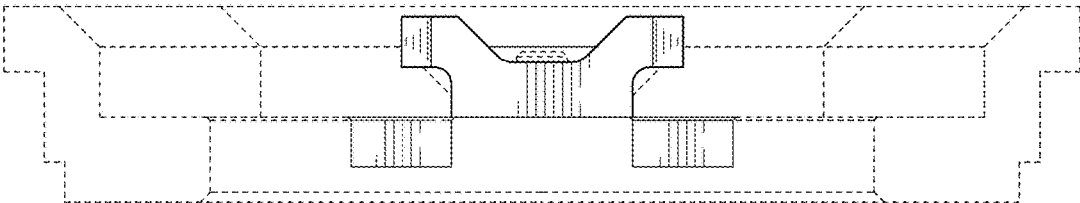


Fig. 10