



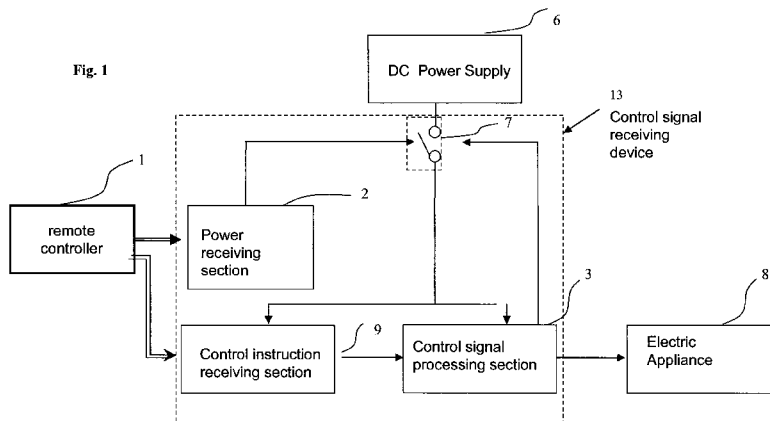
- (51) International Patent Classification:
H02J 9/00 (2006.01)
- (21) International Application Number:
PCT/TH2011/000009
- (22) International Filing Date:
21 April 2011 (21.04.2011)
- (25) Filing Language: Thai
- (26) Publication Language: English
- (30) Priority Data:
1001000646 22 April 2010 (22.04.2010) TH
- (71) Applicant (for all designated States except US): NATIONAL SCIENCE AND TECHNOLOGY DEVELOPMENT AGENCY [TH/TH]; Thailand Science Park 111, Prahol-yothin Rd., Klong 1 Sub-District, Klong Luang District, Prathumthani Province 12120 (TH).
- (72) Inventors: SIWAMOGSATHAM, Siwaruk; NSTDA, Thailand Science Park 111, Prahol-yothin Rd., Klong 1 Sub-District, Klong Luang District, Prathumthani Province 12120 (TH). RATTANAWAN, Patharakorn; NSTDA, Thailand Science Park 111, Prahol-yothin Rd., Klong 1 Sub-District, Klong Luang District, Prathumthani Province 12120 (TH). KITJAROEN, Matanee; NSTDA, Thailand Science Park 111, Prahol-yothin Rd., Klong 1 Sub-District, Klong Luang District, Prathumthani Province 12120 (TH). PONGPAIBOOL, Pornanong; NSTDA, Thailand Science Park 111, Prahol-yothin Rd., Klong 1 Sub-District, Klong Luang District, Prathumthani Province 12120 (TH).

- (72) Inventor; and
- (75) Inventor/Applicant (for US only): KOANANTAKOOL, Thaweesak [TH/TH]; NSTDA, Thailand Science Park 111, Prahol-yothin Rd., Klong 1 Sub-District, Klong Luang District, Prathumthani Province 12120 (TH).
- (74) Agents: SRITHANAITIPHON, Arunsri et al.; NSTDA, Thailand Science Park 111, Prahol-yothin Rd., Klong 1 Sub-District, Klong Luang District, Prathumthani Province 12120 (TH).
- (81) Designated States (unless otherwise indicated, for every kind of national protection available): AE, AG, AL, AM, AO, AT, AU, AZ, BA, BB, BG, BH, BR, BW, BY, BZ, CA, CH, CL, CN, CO, CR, CU, CZ, DE, DK, DM, DO, DZ, EC, EE, EG, ES, FI, GB, GD, GE, GH, GM, GT, HN, HR, HU, ID, IL, IN, IS, JP, KE, KG, KM, KN, KP, KR, KZ, LA, LC, LK, LR, LS, LT, LU, LY, MA, MD, ME, MG, MK, MN, MW, MX, MY, MZ, NA, NG, NI, NO, NZ, OM, PE, PG, PH, PL, PT, RO, RS, RU, SC, SD, SE, SG, SK, SL, SM, ST, SV, SY, TH, TJ, TM, TN, TR, TT, TZ, UA, UG, US, UZ, VC, VN, ZA, ZM, ZW.
- (84) Designated States (unless otherwise indicated, for every kind of regional protection available): ARIPO (BW, GH, GM, KE, LR, LS, MW, MZ, NA, SD, SL, SZ, TZ, UG, ZM, ZW), Eurasian (AM, AZ, BY, KG, KZ, MD, RU, TJ, TM), European (AL, AT, BE, BG, CH, CY, CZ, DE, DK, EE, ES, FI, FR, GB, GR, HR, HU, IE, IS, IT, LT, LU, LV, MC, MK, MT, NL, NO, PL, PT, RO, RS, SE, SI, SK, SM, TR), OAPI (BF, BJ, CF, CG, CI, CM, GA, GN, GQ, GW, ML, MR, NE, SN, TD, TG).

Declarations under Rule 4.17:

[Continued on next page]

(54) Title: SYSTEM WITH ZERO POWER STANDBY MODE FOR CONTROLLING ELECTRIC APPARATUS



(57) Abstract: A zero power standby system for controlling electric appliances is able to wait for switch on instructions without any power consumption. This is done by a remote controller (1) transmitting power in form of either electromagnetic field, light, or audio signal to a power receiving section (2) of a control signal receiving device (13). The power receiving section will then use the received power to force a multi-switch section (7) to connect between a power supply and a control signal receiving section (9) and a control signal processing section (3) and put the appliance into its usual running mode. When a user desires to turn off the electric appliance, the system stop supplying power to the control signal receiving section (9) and the control signal processing section (3) by turning off multi-switch section (7) and put the electric appliance back to its zero power standby mode (i.e. consuming no power). Therefore, wasting of electrical energy in standby mode is thus reduced to zero.

WO 2011/133119 A3



-
- *as to applicant's entitlement to apply for and be granted a patent (Rule 4.17(ii))*
 - *of inventorship (Rule 4.17(iv))*
 - *before the expiration of the time limit for amending the claims and to be republished in the event of receipt of amendments (Rule 48.2(h))*

Published:

- *with international search report (Art. 21(3))*

(88) Date of publication of the international search report:
15 December 2011

INTERNATIONAL SEARCH REPORT

International application No
PCT/TH2011/000009

A. CLASSIFICATION OF SUBJECT MATTER
INV. H02J9/00
ADD.
According to International Patent Classification (IPC) or to both national classification and IPC

B. FIELDS SEARCHED
Minimum documentation searched (classification system followed by classification symbols)
H02J
Documentation searched other than minimum documentation to the extent that such documents are included in the fields searched

Electronic data base consulted during the international search (name of data base and, where practical, search terms used)
EPO-Internal

C. DOCUMENTS CONSIDERED TO BE RELEVANT		
Category*	Citation of document, with indication, where appropriate, of the relevant passages	Relevant to claim No.
X	US 2002/012258 A1 (NAGAI TOMOYUKI [JP] ET AL) 31 January 2002 (2002-01-31) abstract figures 1-4 paragraph [0005] paragraphs [0043] - [0052] paragraphs [0056] - [0065] -----	1-15
A	EP 1 783 887 A1 (ZHOU XIANPU [CN]) 9 May 2007 (2007-05-09) paragraphs [0032], [0065] -----	1-15
A	CA 2 523 166 A1 (INDIGO MFG INC [CA]) 11 April 2007 (2007-04-11) abstract; figure 1 -----	1-15

Further documents are listed in the continuation of Box C.

See patent family annex.

* Special categories of cited documents :

- "A" document defining the general state of the art which is not considered to be of particular relevance
- "E" earlier document but published on or after the international filing date
- "L" document which may throw doubts on priority claim(s) or which is cited to establish the publication date of another citation or other special reason (as specified)
- "O" document referring to an oral disclosure, use, exhibition or other means
- "P" document published prior to the international filing date but later than the priority date claimed

- "T" later document published after the international filing date or priority date and not in conflict with the application but cited to understand the principle or theory underlying the invention
- "X" document of particular relevance; the claimed invention cannot be considered novel or cannot be considered to involve an inventive step when the document is taken alone
- "Y" document of particular relevance; the claimed invention cannot be considered to involve an inventive step when the document is combined with one or more other such documents, such combination being obvious to a person skilled in the art.
- "&" document member of the same patent family

Date of the actual completion of the international search 19 October 2011	Date of mailing of the international search report 28/10/2011
--	--

Name and mailing address of the ISA/ European Patent Office, P.B. 5818 Patentlaan 2 NL - 2280 HV Rijswijk Tel. (+31-70) 340-2040, Fax: (+31-70) 340-3016	Authorized officer Marannino, M
--	--

INTERNATIONAL SEARCH REPORT

Information on patent family members

International application No PCT/TH2011/000009

Patent document cited in search report	Publication date	Patent family member(s)	Publication date
US 2002012258	A1	31-01-2002 JP 2002026812 A	25-01-2002
EP 1783887	A1	09-05-2007 AU 2005259699 A1 BR PI0512750 A CA 2572484 A1 WO 2006002600 A1 CN 1719358 A EA 200700079 A1 JP 4491018 B2 JP 2008505593 A KR 20070057788 A US 2008195874 A1 ZA 200700069 A	12-01-2006 08-04-2008 12-01-2006 12-01-2006 11-01-2006 27-04-2007 30-06-2010 21-02-2008 07-06-2007 14-08-2008 27-02-2008
CA 2523166	A1	11-04-2007 NONE	