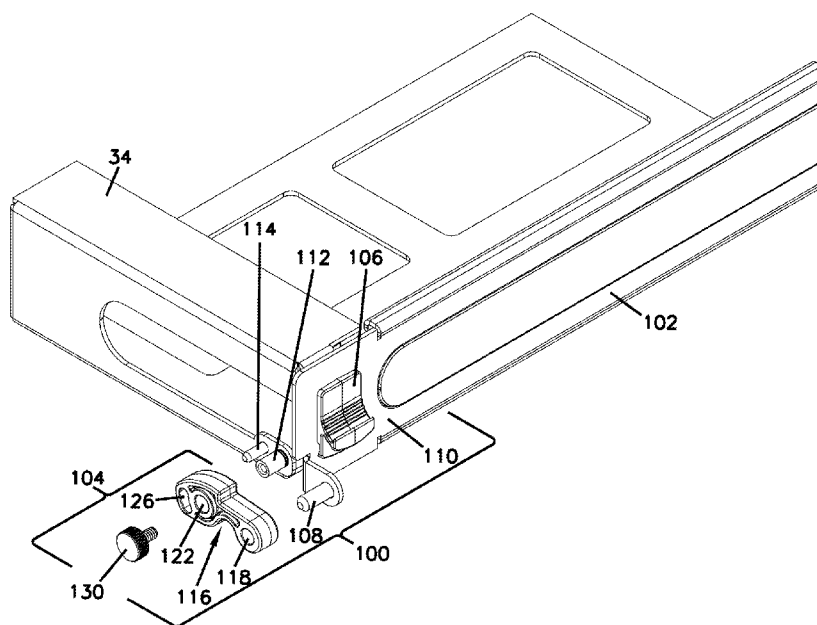




- (51) International Patent Classification:
H04Q 1/02 (2006.01)
- (21) International Application Number:
PCT/US2017/027915
- (22) International Filing Date:
17 April 2017 (17.04.2017)
- (25) Filing Language: English
- (26) Publication Language: English
- (30) Priority Data:
62/324,685 19 April 2016 (19.04.2016) US
- (71) Applicant: COMMSCOPE, INC. OF NORTH CAROLINA [US/US]; 1100 CommScope Place SE, Hickory, North Carolina 28602 (US).
- (72) Inventor: RUIZ, Guilibaldo; 730 Cross Post Lane, McKinney, Texas 75069 (US).
- (74) Agent: BRUESS, Steven C.; MERCHANT & GOULD P.C., P.O. Box 2903, Minneapolis, Minnesota 55402-0903 (US).
- (81) Designated States (unless otherwise indicated, for every kind of national protection available): AE, AG, AL, AM, AO, AT, AU, AZ, BA, BB, BG, BH, BN, BR, BW, BY, BZ, CA, CH, CL, CN, CO, CR, CU, CZ, DE, DJ, DK, DM, DO, DZ, EC, EE, EG, ES, FI, GB, GD, GE, GH, GM, GT, HN, HR, HU, ID, IL, IN, IR, IS, JP, KE, KG, KH, KN, KP, KR, KW, KZ, LA, LC, LK, LR, LS, LU, LY, MA, MD, ME, MG, MK, MN, MW, MX, MY, MZ, NA, NG, NI, NO, NZ, OM, PA, PE, PG, PH, PL, PT, QA, RO, RS, RU, RW, SA, SC, SD, SE, SG, SK, SL, SM, ST, SV, SY, TH, TJ, TM, TN, TR, TT, TZ, UA, UG, US, UZ, VC, VN, ZA, ZM, ZW.

(54) Title: DOOR ASSEMBLY FOR A TELECOMMUNICATIONS CHASSIS WITH A COMBINATION HINGE STRUCTURE

FIG. 12



(57) Abstract: A hinge assembly for pivotally coupling a door to a telecommunications chassis includes a hinge structure configured to attach the door to the telecommunications chassis, the hinge structure defining a door pivot point and a hinge pivot point that is spaced from the door pivot point, wherein a door coupled by the hinge structure to the telecommunications chassis can pivot with respect to the hinge structure independent of a pivoting motion of the hinge structure with respect to the telecommunications chassis, wherein the hinge structure further defines at least a portion of a pivot limiting structure spaced from the hinge pivot point, the portion of the pivot limiting structure defined by the hinge structure being configured to interact with the telecommunications chassis in limiting the pivoting motion of the hinge structure.



(84) Designated States (*unless otherwise indicated, for every kind of regional protection available*): ARIPO (BW, GH, GM, KE, LR, LS, MW, MZ, NA, RW, SD, SL, ST, SZ, TZ, UG, ZM, ZW), Eurasian (AM, AZ, BY, KG, KZ, RU, TJ, TM), European (AL, AT, BE, BG, CH, CY, CZ, DE, DK, EE, ES, FI, FR, GB, GR, HR, HU, IE, IS, IT, LT, LU, LV, MC, MK, MT, NL, NO, PL, PT, RO, RS, SE, SI, SK, SM, TR), OAPI (BF, BJ, CF, CG, CI, CM, GA, GN, GQ, GW, KM, ML, MR, NE, SN, TD, TG).

Published:

— *with international search report (Art. 21(3))*

**DOOR ASSEMBLY FOR A TELECOMMUNICATIONS CHASSIS WITH A
COMBINATION HINGE STRUCTURE**

5 **Cross-Reference to Related Application**

This application is being filed on April 17, 2017 as a PCT International Patent Application and claims the benefit of U.S. Patent Application Serial No. 62/324,685, filed on April 19, 2016, the disclosure of which is incorporated herein by reference in its entirety.

10 **Technical Field**

The present disclosure relates generally to telecommunications equipment. More specifically, the present disclosure relates to equipment designed for high density applications such as telecommunications chassis.

Background

15 In the telecommunications industry, the demand for added capacity is growing rapidly. This demand is being met in part by the increasing use and density of telecommunications equipment, specifically, fiber optic transmission equipment. Even though fiber optic equipment permits higher levels of transmission in the same or smaller footprint than traditional copper transmission equipment, the demand requires even higher
20 levels of fiber density. This has led to the development of high-density fiber handling equipment.

Because of the large number of optical fibers passing into and out of fiber optic equipment such as high density fiber distribution frames, such frames normally incorporate a variety of structures to organize and manage the fibers. Such frames also
25 include structures for facilitating access to the densely packed terminations. Drawer-based systems including slidable equipment-carrying trays are known.

Further developments in such systems are desired.

Summary

30 The present disclosure relates to a telecommunications device in the form of a telecommunications frame or chassis. The telecommunications chassis is a drawer-based

system with sliding trays for providing access to the equipment housed within the trays. According to one example embodiment, the telecommunications equipment housed within the trays may be fiber optic devices.

5 According to one aspect of the disclosure, the telecommunications chassis described herein includes a door assembly that includes a hinge assembly utilizing a combination hinge structure that allows both pivotal motion for the door and further pivotal motion for the hinge structure.

10 According to one example embodiment, the hinge assembly for pivotally coupling the door to a telecommunications chassis comprises a hinge structure configured to attach the door to the telecommunications chassis, the hinge structure defining a door pivot point and a hinge pivot point that is spaced from the door pivot point, wherein a door coupled by the hinge structure to the telecommunications chassis can pivot with respect to the hinge structure independent of a pivoting motion of the hinge structure with respect to the telecommunications chassis, wherein the hinge structure further defines at least a portion
15 of a pivot limiting structure spaced from the hinge pivot point, the portion of the pivot limiting structure defined by the hinge structure being configured to interact with the telecommunications chassis in limiting the pivoting motion of the hinge structure.

20 According to another aspect, the disclosure relates to a telecommunications system comprising a telecommunications chassis and a door pivotally attached to the telecommunications chassis via a hinge assembly. The hinge assembly further comprises a hinge structure extending between the telecommunications chassis and the door, the hinge structure defining a door pivot point and a hinge pivot point that is spaced from the door pivot point, wherein a door coupled by the hinge structure to the telecommunications chassis can pivot with respect to the hinge structure independent of a pivoting motion of
25 the hinge structure with respect to the telecommunications chassis, wherein the hinge structure further defines at least a portion of a pivot limiting structure spaced from the hinge pivot point, the portion of the pivot limiting structure defined by the hinge structure being configured to interact with the telecommunications chassis in limiting the pivoting motion of the hinge structure.

30 According to yet another aspect, the disclosure relates to a telecommunications system comprising a telecommunications chassis and a door pivotally attached to the telecommunications chassis via a hinge assembly. The hinge assembly further comprises a single hinge structure extending between the telecommunications chassis and the door, the hinge structure defining a door pivot point and a hinge pivot point that is spaced from

the door pivot point, wherein a door coupled by the hinge structure to the telecommunications chassis can pivot with respect to the hinge structure independent of a pivoting motion of the hinge structure with respect to the telecommunications chassis, wherein the hinge structure is configured such that the door is entirely positionable below a horizontal plane defined by a bottom side of the chassis when the door is at a fully open position.

According to yet another aspect, the disclosure relates to a door assembly for mounting to a telecommunications chassis, the door assembly comprising a door defining a front face extending between a right side and a left side, the door further including a door pivot pin protruding from each of the right side and the left side, the door pivot pins positioned forward of the front face of the door and a hinge assembly for each of the right side and the left side of the door, wherein at least a portion of the hinge assembly is configured to be mounted to the door. The hinge assembly further comprises a single hinge structure defining a door pivot point including an opening configured to receive the door pivot pin and a hinge pivot point that is spaced from the door pivot point such that, when the door is coupled by the hinge structure to the telecommunications chassis, the door can pivot with respect to the hinge structure independent of a pivoting motion of the hinge structure with respect to the telecommunications chassis.

A variety of additional inventive aspects will be set forth in the description that follows. The inventive aspects can relate to individual features and combinations of features. It is to be understood that both the foregoing general description and the following detailed description are exemplary and explanatory only and are not restrictive of the broad inventive concepts upon which the embodiments disclosed herein are based.

Brief Description of the Drawings

FIG. 1 is a perspective view showing the outer side of a tray rail of an inventive slide assembly of the present disclosure;

FIG. 2 is a perspective view showing the inner side of the tray rail of FIG. 1;

FIG. 3 is a perspective view showing the outer side of a tray guide of the inventive slide assembly of the present disclosure, the tray guide configured to mate with the tray rail of FIGS. 1-2 in forming the inventive slide assembly of the present disclosure;

FIG. 4 is a perspective view showing the inner side of the tray guide of FIG. 3;

FIG. 5 illustrates the tray rail of FIGS. 1-2 nested within the tray guide of FIGS. 3-4, the slide assembly shown in a stored position;

FIG. 6 illustrates the slide assembly of FIG. 5 in an extended position, wherein the tray guide has been moved and interlocked with respect to the tray rail in a forward position;

FIG. 7 illustrates an example telecommunications tray configured for mounting to a telecommunications fixture in the form of a chassis or frame using the slide assembly of
5 FIGS. 1-6, the tray illustrated with the tray guides of the slide assembly mounted thereon;

FIG. 8 illustrates the tray of FIG. 7 populated with telecommunications equipment in the form of fiber optic cassettes and mounted to a telecommunications chassis, the left wall of the chassis also being used to illustrate how two similar tray rails of the present
10 disclosure can cooperate and nest together when they share and are mounted on both sides of a chassis wall such as a center wall separating two side-by-side slidable trays;

FIG. 9 illustrates the two nestable tray rails of FIG. 8 in isolation removed from the chassis;

FIG. 10 illustrates the tray of FIG. 8 in an extended position, wherein one of the
15 fiber optic cassettes is also shown exploded off the tray;

FIG. 11 illustrates the tray of FIG. 10 populated with telecommunications equipment in the form of fiber optic adapter blocks instead of fiber optic cassettes;

FIG. 12 is a partially exploded view of a door assembly that includes an inventive hinge assembly according to the present disclosure, the hinge assembly configured for
20 mounting the door to a telecommunications fixture similar to the chassis shown in FIGS. 8, 10, and 11;

FIG. 13 illustrates two of the door assemblies shown in FIG. 12 in a fully assembled configuration, the door assemblies used on a chassis similar to that shown in FIG. 12 but including two levels for supporting slidable trays;

FIG. 14 illustrates the upper door of FIG. 13 in a partially open position;

FIG. 15 illustrates the upper door of FIG. 14 in a fully open position;

FIG. 16 illustrates the side view of a chassis similar to that shown in FIGS. 13-15 but including four levels for supporting slidable trays, one of the four doors of the chassis shown in a fully open position;

FIG. 17 illustrates a perspective view of another example of a telecommunications fixture in the form of a chassis similar to the chassis shown in FIGS. 8, 10, and 11-16, the chassis shown with one of the trays thereof in a stored position and one in an extended position, with the door of the chassis in a fully open position allowing extension of the sliding tray;

FIG. 18 is a side view of the chassis of FIG. 17;

FIG. 19 is a front, top, left side perspective view of a hinge structure of the hinge assembly shown in FIGS. 12-18, the hinge structure shown in isolation;

FIG. 20 is a front, top, right side perspective view of the hinge structure of
5 FIG. 19;

FIG. 21 is a side view of the hinge structure of FIG. 19;

FIG. 22 is a top view of the hinge structure of FIG. 19;

FIG. 23 is front view of the hinge structure of FIG. 19;

FIG. 24 illustrates a front, right side perspective view of a pair of door assemblies,
10 each including another example of an inventive hinge assembly according to the present disclosure, the hinge assembly configured for mounting the door to a telecommunications fixture similar to the chassis shown in FIGS. 8, 10, and 11-18, wherein the upper door is shown in a fully open position;

FIG. 25 illustrates the door assemblies of FIG. 24 from a front, left side perspective
15 view; and

FIG. 26 illustrates the door assemblies of FIGS. 24-25 from a right side view.

Detailed Description

Reference will now be made in detail to examples of inventive aspects of the present disclosure which are illustrated in the accompanying drawings. Wherever
20 possible, the same reference numbers will be used throughout the drawings to refer to the same or like parts.

Referring now to FIGS. 1-6, a slide assembly 10 having features that are examples of inventive aspects in accordance with the present disclosure is illustrated. The slide assembly 10 is configured for use in a telecommunications fixture such as a chassis or
25 frame for forming a drawer-based system with sliding trays for providing access to the equipment housed within the trays.

Examples of telecommunications chassis and trays that can utilize the slide assembly are illustrated, for example, in FIGS. 7, 8, 10, 11-18, and 24-26 of the present application, further details of which will be discussed hereinafter.

30 Still referring to FIGS. 1-6, the slide assembly 10 is comprised of a tray rail 12 and a tray guide 14 that slidably cooperates with the tray rail 12. The tray rail portion 12 of the slide assembly 10 is configured to be mounted to the telecommunications fixture (e.g., a chassis/frame) and the tray guide portion 14 is configured to be mounted to the

equipment trays. The slidable cooperation of the tray rail 12 and the tray guide 14 provide movement to the trays between stored and extended positions as will be discussed.

It should be noted that, unless otherwise specified, for ease of description and illustration, only one slide assembly 10 that can be used on one side of a chassis or a tray will be described herein with the understanding that all of the features discussed are applicable to the opposing side enabling slidable movement of the entire tray.

FIG. 1 illustrates a perspective view showing the outer side 16 of the tray rail 12, and FIG. 2 illustrates a perspective view showing the inner side 18 of the tray rail 12. As illustrated, for example, in FIGS. 10-11, the outer side 16 of each tray rail 12 is configured for mounting to an interior face of a chassis wall.

As shown in FIG. 1, on the outer side 16, each tray rail 12 includes a latch 20 and a latch pocket 22 adjacent a front end 24 and a latch 20 and a latch pocket 22 adjacent the rear end 26 of the rail 12. The tray rail 12 also defines a locking tab 28 toward the front end 24 and a locking tab 28 toward the rear end 26 thereof. The latches 20, the latch pockets 22, and the locking tabs 28 are all configured for mounting the tray rail 12 to a chassis wall, wherein these structures cooperate with intermating structures provided on the chassis wall for mounting the tray rail 12.

As shown, the latches 20 and the latch pockets 22 on the front and rear ends 24, 26 of the tray rail 12 are positioned in opposite orientations. The locking tabs 28 are also provided in an opposite diagonal orientation, wherein the front locking tab 28 is closer to an upper edge 30 of the rail 12 and the rear locking tab 28 is closer to a lower edge 32 of the tray rail 12. This opposing configuration of the latches 20, the latch pockets 22, and the locking tabs 28 allows two similar tray rails 12 to be mounted in a juxtaposed relationship with a chassis wall (e.g., a center chassis wall) captured thereinbetween. As shown in FIG. 9, when the outer sides 16 of two similar tray rails 12 are brought together, the latches 20 at the front end 24 can nest within aligned respective latch pockets 22, and the latches 20 at the rear end 26 can nest within aligned respective latch pockets 22. As noted above, a similar feature is provided for the locking tabs 28. When the outer sides 16 of two similar tray rails 12 are brought together, the locking tabs 28 of the tray rails 12 align in a nested overlapping or vertically stacked configuration without abutting each other.

An example of a telecommunications fixture in the form of a chassis 34 is shown in FIGS. 10-11 with the tray rail 12 mounted to each of the right and left walls 36, 38 of the chassis 34. As illustrated by the left wall 38 of the chassis 34, each wall 36, 38 defines

a pair of parallel openings 40 adjacent a rear end 42 and a pair of parallel openings 40 adjacent a front end 44. One of the openings 40 of each pair is configured to receive a latch 20 and the other of the openings 40 of the pair is configured to align with a latch pocket 22 provided at the front and rear ends 24, 26 of the tray rail 12 as shown in FIGS.

5 10-11.

Still referring to FIGS. 10-11, the latches 20 are slidably inserted into their respective openings 40, and, as depicted, a rearward movement of the tray rails 12 brings both the front and rear locking tabs 28 into alignment with tab openings 46 provided on the chassis walls 36, 38 to lock the tray rails 12 into place.

10 As discussed above, the tab openings 46 provided on the chassis walls 36, 38 are sized large enough to be able to accommodate two locking tabs 28 each in a vertically stacked arrangement to be able to allow a wall 36, 38 of the chassis 34 to be used as a center wall that separates two horizontal trays 48.

As illustrated in FIGS. 8 and 9, the configuration of the tray rails 12 (and the
15 intermating structures of the chassis walls 36, 38) allow the use of the same rails 12 to be used on both sides of a chassis wall 36, 38, allowing a chassis wall 36, 38 to be used as a shared center wall that can separate two side-by-side slidable trays 48. The tab openings 46 are sized to accommodate two locking tabs 28 in a vertically stacked arrangement. And, the front and rear latches 20 of one of the tray rails 12 can nest within the front and
20 rear latch pockets 22 of a juxtaposed tray rail 12 through the openings 40 provided on the chassis wall 36, 38, allowing a single chassis wall to be used as a shared center wall.

Referring now to the inner side 18 of each tray rail 12, as shown in FIG. 2, on the inner side 18, a sliding cavity 50 is provided that defines a detent 52 adjacent the rear end 26 of the tray rail 12 and a detent 52 adjacent the front end 24 of the tray rail 12. As will
25 be discussed in further detail below, the front and rear detents 52 are configured to cooperate with a pin 54 provided on the tray guide 14 of the slide assembly 10 for fixing (at least temporarily) the trays 48 at stored and extended positions relative to the chassis 34 as noted above.

Still referring to FIG. 2, the sliding cavity 50 defines an open end 56 at the front
30 end 24 of the tray rail 12 for initially receiving the pin 54 of the tray guide 14 when slidably placing the tray 48 within the chassis 34. The front end 24 of the tray rail 12 also defines a tapered portion 58 to act as a lead-in end to facilitate the relative insertion of the tray rail 12 into the tray guide 14 as will be discussed in further detail below.

Still referring to FIG. 2, as the pin 54 of the tray guide 14 is initially inserted into the sliding cavity 50, the pin 54 elastically deflects and clears a stop structure 60, a portion of which is located within the cavity 50. The stop structure 60 defines a tapered configuration to facilitate the insertion of the pin 54 into the cavity 50. After the pin 54 has cleared the stop structure 60 and is within the cavity 50, an end 62 of the stop structure 60 that is at least partially positioned within the cavity 50 is configured to abut and provide a positive stop for the pin 54 during extension of the tray 48. In FIG. 8, the tray 48 is shown in the stored position, with the pin 54 of the tray guide 14 latched to the rear detent 52 of the tray rail 12. In FIGS. 10-11, the tray 48 is shown in the extended position, with the pin 54 of the tray guide 14 latched to the front detent 52 of the tray rail 12. From the fixed (either stored or extended) positions, a force that overcomes the biasing force applied by the flexible detents 52 to the pin 54 has to be overcome in order to move the tray 48.

Referring now to the tray guide 14, the details thereof are illustrated in FIGS. 3-4. FIG. 3 is a perspective view showing the outer side 64 of a tray guide 14, and FIG. 4 is a perspective view showing the inner side 66 of the tray guide 14.

The outer side 64 of the tray guide 14 is configured to cooperate with the tray rail 12 of the slide assembly 10. The inner side 66 of the tray guide 14 is configured for latching to a wall 68 of one of the sliding equipment trays 48.

The outer side 64, as shown in FIG. 3, defines a sliding cavity 70 for slidably receiving the tray rail 12. The sliding cavity 70 defines an open end 72 for initially receiving the tapered lead-in front end 24 of the tray rail 12 and also a closed end 74 defining a stop for limiting further sliding movement of the tray rail 12 within the sliding cavity 70 of the tray guide 14.

As shown in FIG. 3, the pin 54 of the tray guide 14 is positioned within and has at least a portion protruding into the sliding cavity 70 and, as discussed above, rides within the sliding cavity 50 of the tray rail 12 when the rail 12 and the guide 14 are in a sliding relationship. In FIG. 5, the tray rail 12 is shown within the sliding cavity 70 of the tray guide 14, wherein the slide assembly 10 is shown in a stored position with the pin 54 of the tray guide 14 captured within the rear detent 52 of the tray rail 12. In FIG. 6, the slide assembly 10 is shown in an extended position with the pin 54 of the tray guide 14 captured within the front detent 52 of the tray rail 12.

The stored position of the slide assembly 10 of FIG. 5 is also illustrated in FIG. 8 in the context of a chassis/tray system. And, the extended position of the slide assembly 10 of FIG. 6 is also illustrated in the context of a chassis/tray system in FIGS. 10-11.

Now, referring back to FIG. 3, the pin 54 is connected to the tray guide via a
5 flexible cantilever arm 76. In order to completely remove the tray guide 14 from the tray rail 12 and completely remove an equipment tray 48 from the chassis 34, the flexible arm 76 has to be pushed or pried in a direction from the outer side 64 of the tray guide 14 toward the inner side 66 thereof to clear the stop structure 60 provided on the tray rail 12.

Referring now to FIG. 4, the inner side 66 of the tray guide 14 is illustrated. The
10 inner side 66 forms the tray-mount side of the tray guide 14, whereas the outer side 64 cooperates with the tray rail 12 in providing the slidable motion for the tray 48. The inner side 66 defines an alignment rim 78 that surrounds an aperture 80 for accessing the cantilever arm 76. The alignment rim 78 is generally positioned toward a rear end 82 of the tray guide 14. The inner side 66 also defines a latch 84 that is positioned generally
15 toward the center of the tray guide 14. As shown in FIGS. 7, 8, 10, and 11, the latch 84 is slidably inserted into an opening 86 defined on a tray wall 68 until the alignment rim 78 aligns with and snaps into a larger opening 88 provided on the tray wall 68 in latching the tray guide 14 to a tray 48.

As shown in FIGS. 3, 4, 7, 8, 10, and 11, the tray guide 14 includes a flange 90
20 defining a mounting hole 92 for receiving a fastener for further securing the tray guide 14 to a tray wall 68. The rear end 82 of the tray guide 14 also defines a wraparound latch 94 that covers a rear edge 96 of the tray wall 68 and acts as an edge protector for any fibers leading toward the back of the chassis 34 during slidable movement of the tray 48.

As noted previously, the slide assembly 10 may be used to provide a drawer-based
25 system allowing equipment carrying trays 48 to be accessed by sliding the trays 48 relative to a telecommunications fixture such as a chassis or frame. An example of such a chassis/tray system that has been referred to above in describing the features of the inventive slide assembly is illustrated in FIGS. 7, 8, 10, and 11. As noted above, although need not be, such systems may be fiber optic systems and may house equipment forming
30 fiber termination points or connection locations that need to be accessed by the pull-out trays 48.

In the embodiment of the system illustrated in FIGS. 8 and 10, the tray 48, which is shown empty in FIG. 7, is shown as populated with telecommunications equipment in the form of fiber optic cassettes 98 and mounted to a telecommunications fixture in the form

of a chassis 34. In FIG. 8, the left wall 38 of the particular chassis 34 is being used to illustrate the possible nesting of two similar tray rails 12 if the left wall 38 were to be used as a center wall separating two side-by-side slidable trays 48. In the embodiment of the system illustrated in FIG. 11, the tray 48 is shown as populated with telecommunications equipment in the form of fiber optic adapter blocks 99 instead of fiber optic cassettes 98.

The illustrated telecommunications systems including the fiber optic systems including the pull-out trays 48 and chassis 34 shown in FIGS. 7, 8, 10, and 11 are simply example embodiments that can be used with the inventive slide assembly 10 described herein and are used to illustrate the inventive features thereof, with the understanding that the inventive features of the slide assembly 10 may be utilized on other specific or other types of drawer-based systems.

Referring now to FIGS. 12-23, a door assembly 100 for use on a telecommunications fixture such as a chassis similar to chassis 34 of FIGS. 8, 10, and 11 is illustrated. The door assembly 100 includes a door 102 that is configured to be mounted to a front end of a chassis and a hinge assembly 104 used in mounting the door 102. The hinge assembly 104 allows the door 102 to be pivotally moved between a closed position and a fully open position. The door 102 includes a spring-loaded latch 106 for keeping the door 102 in the closed position. An example embodiment of the latch 106 is illustrated in FIGS. 12-18, with the understanding that other various latch designs may be utilized.

It should also be noted that, unless otherwise specified, for ease of description and illustration, the door assembly 100 and the hinge assembly 104 will be described with respect to only one side thereof and with respect to only one side of a chassis with the understanding that all of the features discussed are applicable to the opposing side enabling opening and closing of the door 102.

Referring now specifically to FIG. 12, the door 102 of the door assembly 100 defines a door pivot pin 108. As shown, the door pivot pin 108 is spaced apart from a front face 110 of the door 102, the reason for which will be described in further detail below.

Still referring to FIG. 12, each of the right and left walls of the chassis 34 (only the left wall illustrated for simplicity) includes a hinge pivot pin 112 and a hinge stop pin 114.

A hinge structure 116 of the hinge assembly 104 provides the pivotal connection between the door 102 and the chassis 34. The hinge structure 116 defines a first pin receiver 118 adjacent a front end 120 for receiving the door pivot pin 108. The hinge structure 116 defines a second pin receiver 122 toward a center portion 124 of the hinge

structure 116, spaced apart from the first pin receiver 118, for receiving the hinge pivot pin 112 of the chassis 34. The hinge structure 116 further defines a hinge limit slot 126 adjacent a rear end 128 thereof, spaced apart from the second pin receiver 122. The hinge limit slot 126 is configured to receive the hinge stop pin 114 of the chassis 34. The hinge structure 116 is shown in isolation in FIGS. 19-23.

After the hinge structure 116 has been mounted so as to provide a connection between the door 102 and the chassis 34, a fastener 130 is removably mounted to the hinge pivot pin 112. The fastener 130 allows pivotal motion of the hinge structure 116 while keeping the hinge structure 116 coupled to the chassis 34. The door 102, via the door pivot pins 108, are captured against the chassis 34 by the hinge structures 116 at the right and left walls of the chassis 34.

The door assembly 100 and the hinge assembly 104 are configured such that the hinge structure 116 provides two pivot points for the door. The interaction of the door pivot pin 108 and the first pin receiver 118 allows a first pivoting motion for the door 102, wherein the door 102 is pivoted with respect to the hinge structure 116. The interaction of the hinge pivot pin 112 and the second pin receiver 122 allows a second pivoting motion for the door 102, wherein the hinge structure 116, itself, and the door 102 are both pivoted with respect to the chassis 34.

Now referring to FIGS. 12-16, regarding the first pivoting motion for the door 102, the position of the door pivot pin 108 being spaced forward of the front face 110 of the door 102 allows the door 102 to be spaced forward enough to clear a door 102 therebelow when in a fully open position. This is shown in the side view in FIG. 16. When the door 102 is open 180 degrees, due to the forward position of the door pivot pin 108, the door 102 is spaced far enough forward to clear and be in front of the door 102 therebelow.

Still referring to FIGS. 12-16, regarding the second pivoting motion for the door 102, given that the hinge structure 116 is also able to pivot with respect to the chassis 34, provides further movement to the pivot point established by the door pivot pin 108 of the door 102 and the first pin receiver 118 of the hinge structure 116. Such further travel allows the door 102 to be positioned below a horizontal plane P_H defined by a bottom wall 132 of that level of the chassis 34. As such, the door 102, when fully opened, does not interfere with the slidable extension of the tray 48 at its respective level on the chassis 34. And, as noted above, when fully opened, is positioned far enough forward so as to clear the door assembly 100 (including the latch 106 of the door 102) and the hinge assembly 104 therebelow.

As shown in FIGS. 12-16, the hinge structure 116 defines a lower arch 134 at a bottom portion 136 thereof for allowing the hinge structure 116 to clear the door 102 below when the door 102 is in the fully open position. The accommodation by the arch 134 of a door 102 therebelow is shown in detail in FIG. 16.

5 As shown in FIGS. 12-16, the interaction of the hinge stop pin 114 and the hinge limit slot 126 provides positive stops for the movement of the hinge structure 116 during its pivoting motion so as to limit the travel of the hinge structure 116. The size and shape of the hinge limit slot 126 is configured to provide positive stops at the desired closed and open positions for the door 102, as illustrated in FIG. 16. According to certain
10 embodiments, during the opening of the door 102, if the hinge structure 116 is pivoted first, the hinge limit slot 126 provides a stop for the hinge stop pin 114 when the door 102 has been opened about 35 degrees from a vertical plane P_v . This position is shown in FIG. 14. Once the hinge stop pin 114 has contacted a lower end 138 of the hinge limit slot 126, the door 102 can now be pivoted with respect to the hinge structure 116 to allow the door
15 102 to open past the 35-degree angle to the fully opened position, which is shown in FIGS. 15-16.

The hinge structure 116 also defines a hinge wall 140 that is configured to be contacted by the door 102 during the pivotal closing motion of the door 102. In moving
20 the door 102 to the closed position, after the door 102 goes through its initial first pivoting motion, the door 102 contacts the hinge wall 140 to start moving the hinge structure 116 for the second pivoting motion. The interaction between the door 102 and the hinge wall 140 allows a technician to bring both the door 102 and the hinge structure 116 to their original positions with a single smooth motion.

As noted above, once the door 102 is brought to its closed position, the door 102 is
25 latched to the chassis 34 via the spring-loaded latch 106. When the door 102 is in the closed position, the door 102 rests against the hinge wall 140.

Still referring to FIGS. 12-16, it should be noted that a rear portion 142 of the hinge structure 116 defines a smooth arched profile at an upper end 144 thereof. The smooth profile of the upper arch 144 provides edge protection to any fibers that may be in
30 the area during tray extension.

In FIGS. 17-18, the door assembly 100 and the hinge assembly 104 are shown as being used on an embodiment of a telecommunications chassis 146 that includes features such as the slidable trays 48 discussed above. In FIGS. 17-18, the depicted chassis 146 is shown with one of the trays 48 thereof in a stored position and one in an extended

position, with the door 102 of the chassis 146 in a fully open position allowing extension of the sliding tray 48.

Now referring to FIGS. 24-26, a door assembly 200 including another example of an inventive hinge assembly 204 according to the present disclosure is illustrated. FIG. 24 illustrates the door assembly 200 from a front, right side perspective view. FIG. 25 illustrates the door assembly 200 from a front, left side perspective view. And, FIG. 26 illustrates the door assembly 200 from a side view.

A majority of the configuration and functionality of the door assembly 100 of FIGS. 12-23 is shared by the door assembly 200 of FIGS. 24-26. Similar to the door assembly 100 of FIGS. 12-13, the door 202 of the door assembly 200 of FIGS. 24-26 also goes through multiple pivoting motions when being moved between the open and closed positions due to a similar combination hinge structure 216.

The hinge assembly 204 of FIGS. 24-26 is similar in structure and function to the hinge assembly 104 of FIGS. 12-23 described above except for a few differences. For example, as shown, the hinge structure 216 of the hinge assembly 204 of FIGS. 24-26 includes a spring-loaded pull-pin 214 that has to be pulled out and cleared from a pin opening 226 provided on the chassis before the hinge structure 216 can be pivoted. The pull-pin 214 and the pin opening 226 provide a variation on the hinge stop pin 114 and the hinge limit slot 126 features of the door assembly 100 of FIGS. 12-23. Whereas the hinge stop pin 114 and the hinge limit slot 126 features of the door assembly 100 of FIGS. 12-23 are in full interaction throughout the entire travel motion of the hinge structure 116 and limit the travel path of the hinge structure 116, the pull-pin 214 is simply used to unlatch the hinge structure 216 to provide for a further pivoting action for the hinge structure 216 in fully extending a tray out of the chassis in the embodiment of the door assembly 200 of FIGS. 24-26.

Similar to that provided by the hinge assembly 104 of FIGS. 12-23, if a piece of equipment inside the chassis needs to be accessed without necessarily removing a tray therefrom, the door 202 can simply be opened without the need for the further pivotal action of the hinge structure 216.

In the embodiment of the door assembly 200 of FIGS. 24-26, if the hinge structure 216 has been pivoted and the door 202 has been fully opened, then, when the door 202 is brought from the open position to the closed position, the pull-pin 214 has to be pulled out until the pin 214 is positioned in the pin opening 226 before the hinge structure 216, thus, the door 202, can be brought to the fully closed position.

Although in the foregoing description, terms such as "top," "bottom," "front," "back," "right," "left," "upper," and "lower" were used for ease of description and illustration, no restriction is intended by such use of the terms. The telecommunications devices described herein can be used in any orientation, depending upon the desired application.

Having described the preferred aspects and embodiments of the present disclosure, modifications and equivalents of the disclosed concepts may readily occur to one skilled in the art. However, it is intended that such modifications and equivalents be included within the scope of the claims which are appended hereto.

CLAIMS:

1. A hinge assembly for pivotally coupling a door to a telecommunications chassis, the hinge assembly comprising:
a hinge structure configured to attach the door to the telecommunications chassis, the hinge structure defining a door pivot point and a hinge pivot point that is spaced from the door pivot point, wherein a door coupled by the hinge structure to the telecommunications chassis can pivot with respect to the hinge structure independent of a pivoting motion of the hinge structure with respect to the telecommunications chassis, wherein the hinge structure further defines at least a portion of a pivot limiting structure spaced from the hinge pivot point, the portion of the pivot limiting structure defined by the hinge structure being configured to interact with the telecommunications chassis in limiting the pivoting motion of the hinge structure.
2. The hinge assembly of claim 1, further comprising a fastener for removable mounting to the telecommunications chassis for keeping the hinge structure coupled to the chassis without interfering with the pivotal motion of the hinge structure.
3. The hinge assembly of claim 1, wherein the pivot limiting structure is defined by a slot on the hinge structure that is spaced from the hinge pivot point that is configured to interact with a pin of the telecommunications chassis.
4. The hinge assembly of claim 1, wherein the pivot limiting structure is defined by a spring-loaded pin on the hinge structure that is configured to interact with an opening on the telecommunications chassis.
5. The hinge assembly of claim 1, wherein the hinge structure defines a wall configured to be contacted by the door when bringing the door from an open position toward a closed position so as to start the pivoting motion of the hinge structure in a closing direction.
6. The hinge assembly of claim 1, wherein the hinge structure defines a cut-out configured to accommodate a similar door that is below the door coupled by the hinge structure when the door coupled by the hinge structure is in an open position.

7. The hinge assembly of claim 1, wherein at least a portion of the hinge structure defines a curved configuration to provide edge protection for optical fibers.
8. A telecommunications system comprising:
 - a telecommunications chassis; and
 - a door pivotally attached to the telecommunications chassis via a hinge assembly, the hinge assembly further comprising:
 - a hinge structure extending between the telecommunications chassis and the door, the hinge structure defining a door pivot point and a hinge pivot point that is spaced from the door pivot point, wherein a door coupled by the hinge structure to the telecommunications chassis can pivot with respect to the hinge structure independent of a pivoting motion of the hinge structure with respect to the telecommunications chassis, wherein the hinge structure further defines at least a portion of a pivot limiting structure spaced from the hinge pivot point, the portion of the pivot limiting structure defined by the hinge structure being configured to interact with the telecommunications chassis in limiting the pivoting motion of the hinge structure.
9. The telecommunications system of claim 8, wherein the pivot limiting structure is defined by a slot on the hinge structure that is spaced from the hinge pivot point that interacts with a pin provided on the telecommunications chassis.
10. The telecommunications system of claim 8, wherein the pivot limiting structure is defined by a spring-loaded pin on the hinge structure that interacts with an opening on the telecommunications chassis.
11. The telecommunications system of claim 8, wherein the hinge assembly further comprises a fastener removably mounted to the telecommunications chassis for keeping the hinge structure coupled to the chassis without interfering with the pivotal motion of the hinge structure.
12. The telecommunications system of claim 8, wherein the hinge structure defines a wall configured to be contacted by the door when bringing the door from an open position

toward a closed position so as to start the pivoting motion of the hinge structure in a closing direction.

13. The telecommunications system of claim 8, wherein the hinge structure defines a cut-out configured to accommodate a similar door that is below the door coupled by the hinge structure when the door coupled by the hinge structure is in an open position.

14. The telecommunications system of claim 8, wherein at least a portion of the hinge structure defines a curved configuration to provide edge protection for optical fibers.

15. A telecommunications system comprising:

a telecommunications chassis; and

a door pivotally attached to the telecommunications chassis via a hinge assembly, the hinge assembly further comprising:

a single hinge structure extending between the telecommunications chassis and the door, the hinge structure defining a door pivot point and a hinge pivot point that is spaced from the door pivot point, wherein a door coupled by the hinge structure to the telecommunications chassis can pivot with respect to the hinge structure independent of a pivoting motion of the hinge structure with respect to the telecommunications chassis, wherein the hinge structure is configured such that the door is entirely positionable below a horizontal plane defined by a bottom side of the chassis when the door is at a fully open position.

16. The telecommunications system of claim 15, wherein the hinge structure further defines at least a portion of a pivot limiting structure spaced from the hinge pivot point, the portion of the pivot limiting structure defined by the hinge structure being configured to interact with the telecommunications chassis in limiting the pivoting motion of the hinge structure.

17. The telecommunications system of claim 16, wherein the pivot limiting structure is defined by a slot on the hinge structure that is spaced from the hinge pivot point that interacts with a pin provided on the telecommunications chassis.

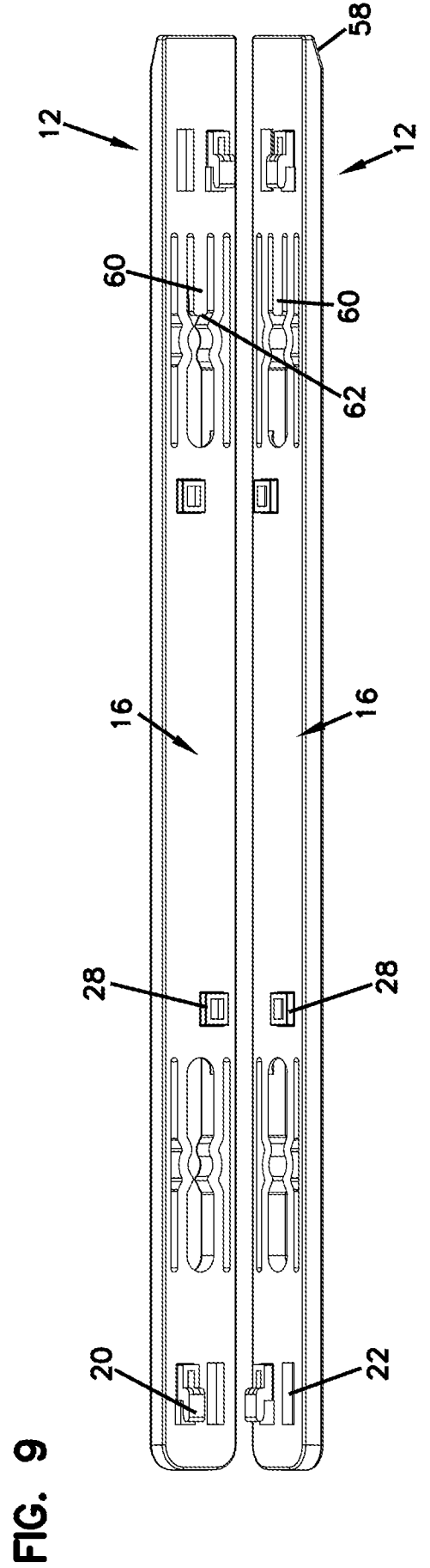
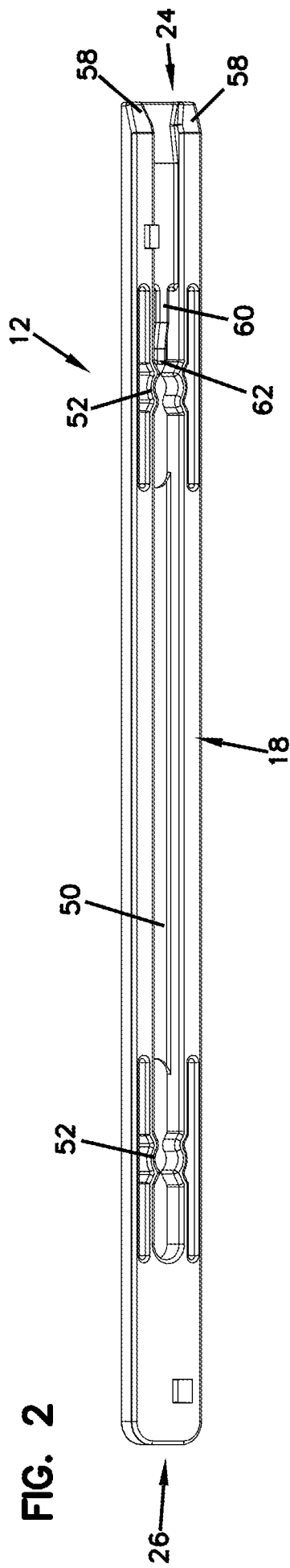
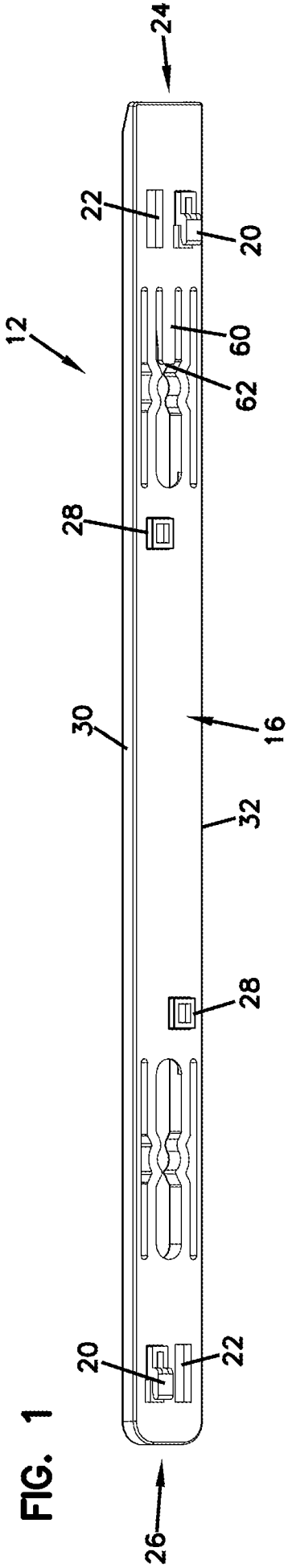
18. The telecommunications system of claim 16, wherein the pivot limiting structure is defined by a spring-loaded pin on the hinge structure that interacts with an opening on the telecommunications chassis.

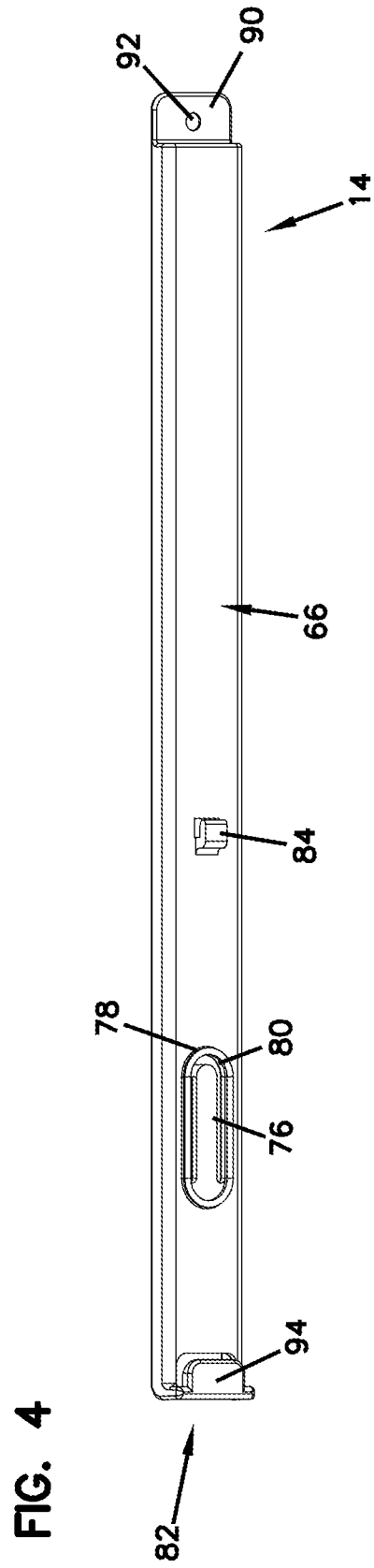
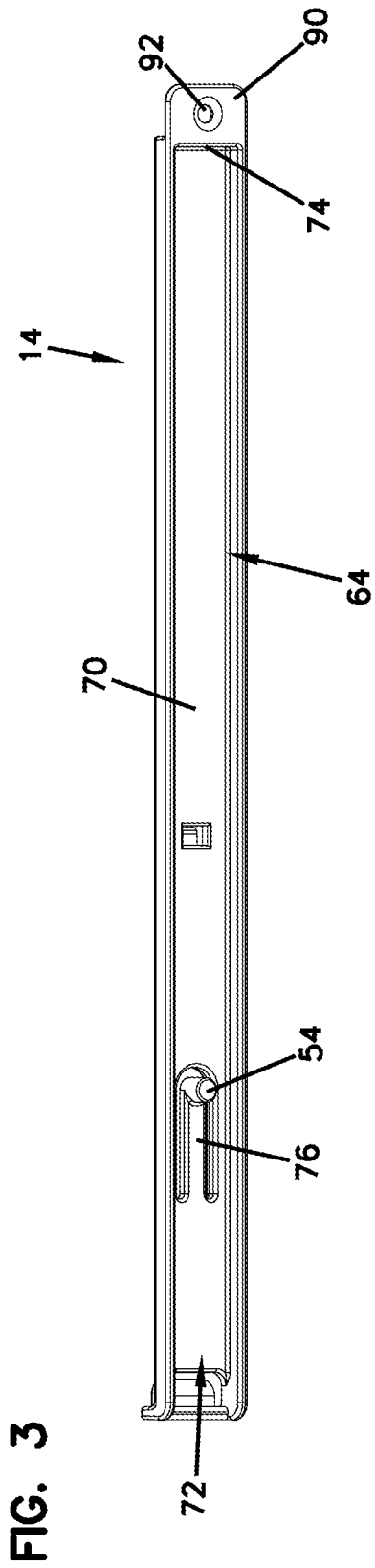
19. A door assembly for mounting to a telecommunications chassis, the door assembly comprising:

a door defining a front face extending between a right side and a left side, the door further including a door pivot pin protruding from each of the right side and the left side, the door pivot pins positioned forward of the front face of the door; and

a hinge assembly for each of the right side and the left side of the door, wherein at least a portion of the hinge assembly is configured to be mounted to door, the hinge assembly further comprising a single hinge structure defining a door pivot point including an opening configured to receive the door pivot pin and a hinge pivot point that is spaced from the door pivot point such that, when the door is coupled by the hinge structure to the telecommunications chassis, the door can pivot with respect to the hinge structure independent of a pivoting motion of the hinge structure with respect to the telecommunications chassis.

20. The door assembly of claim 19, wherein the hinge assembly further comprises a fastener for removable mounting to the telecommunications chassis for keeping the hinge structure coupled to the chassis without interfering with the pivotal motion of the hinge structure.





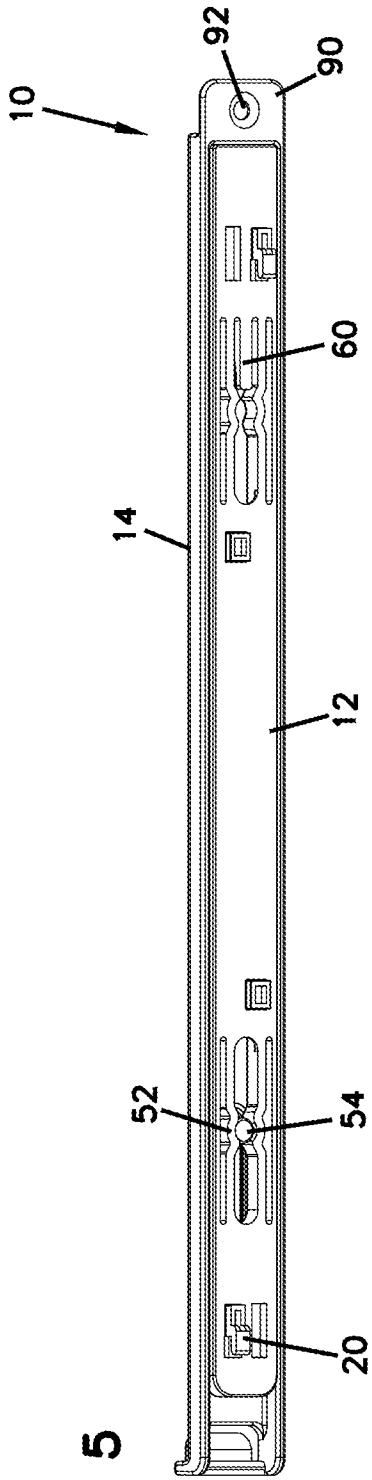


FIG. 5

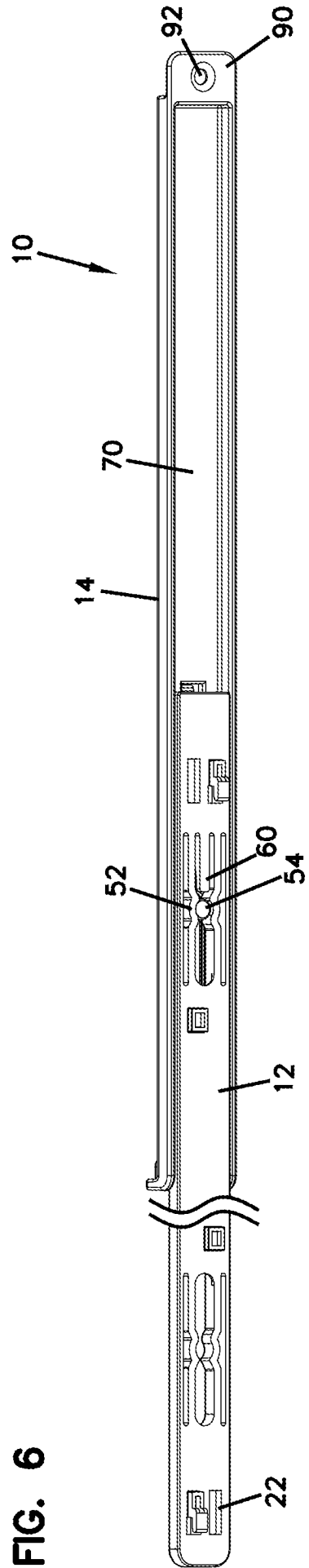
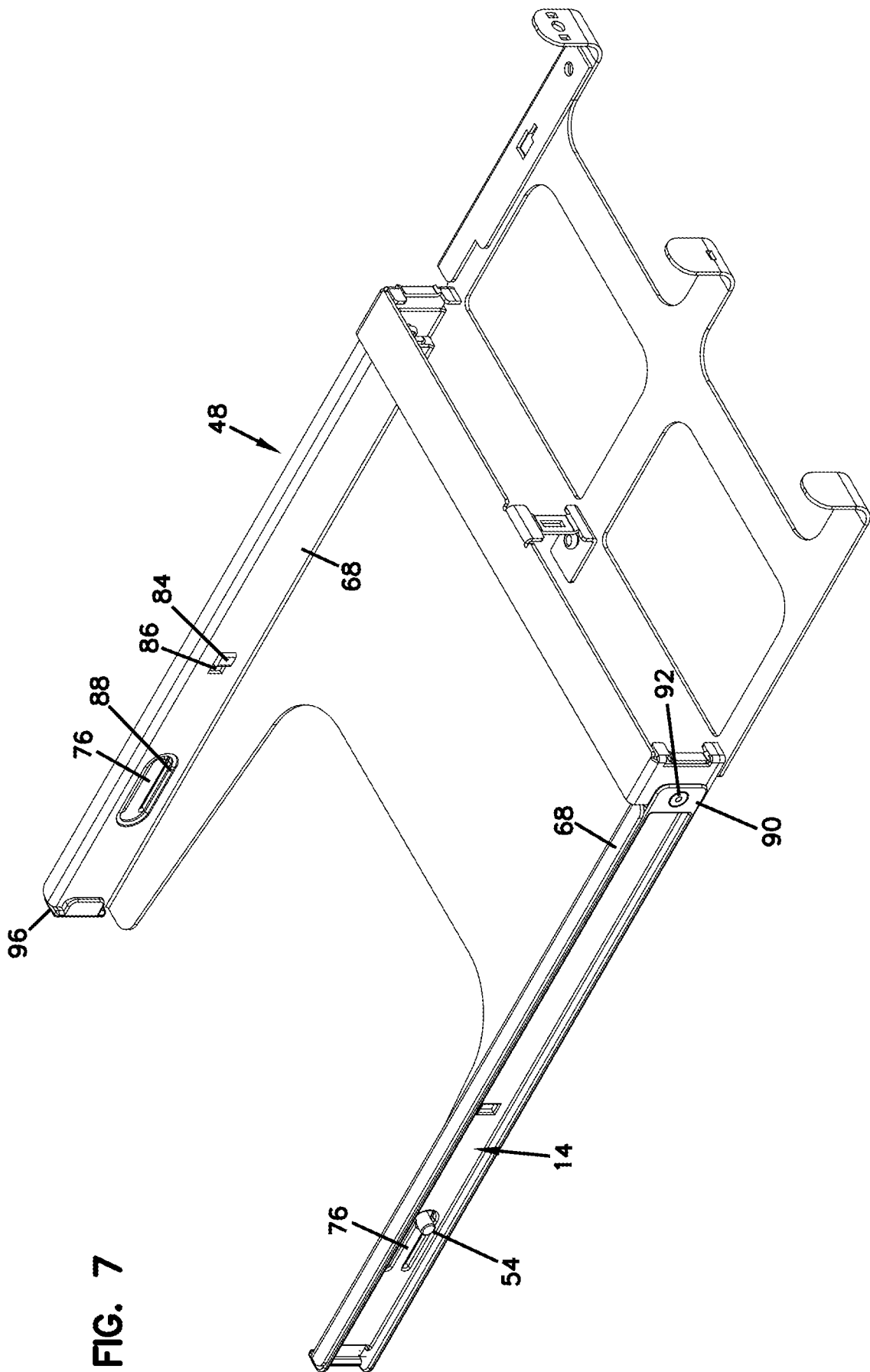


FIG. 6



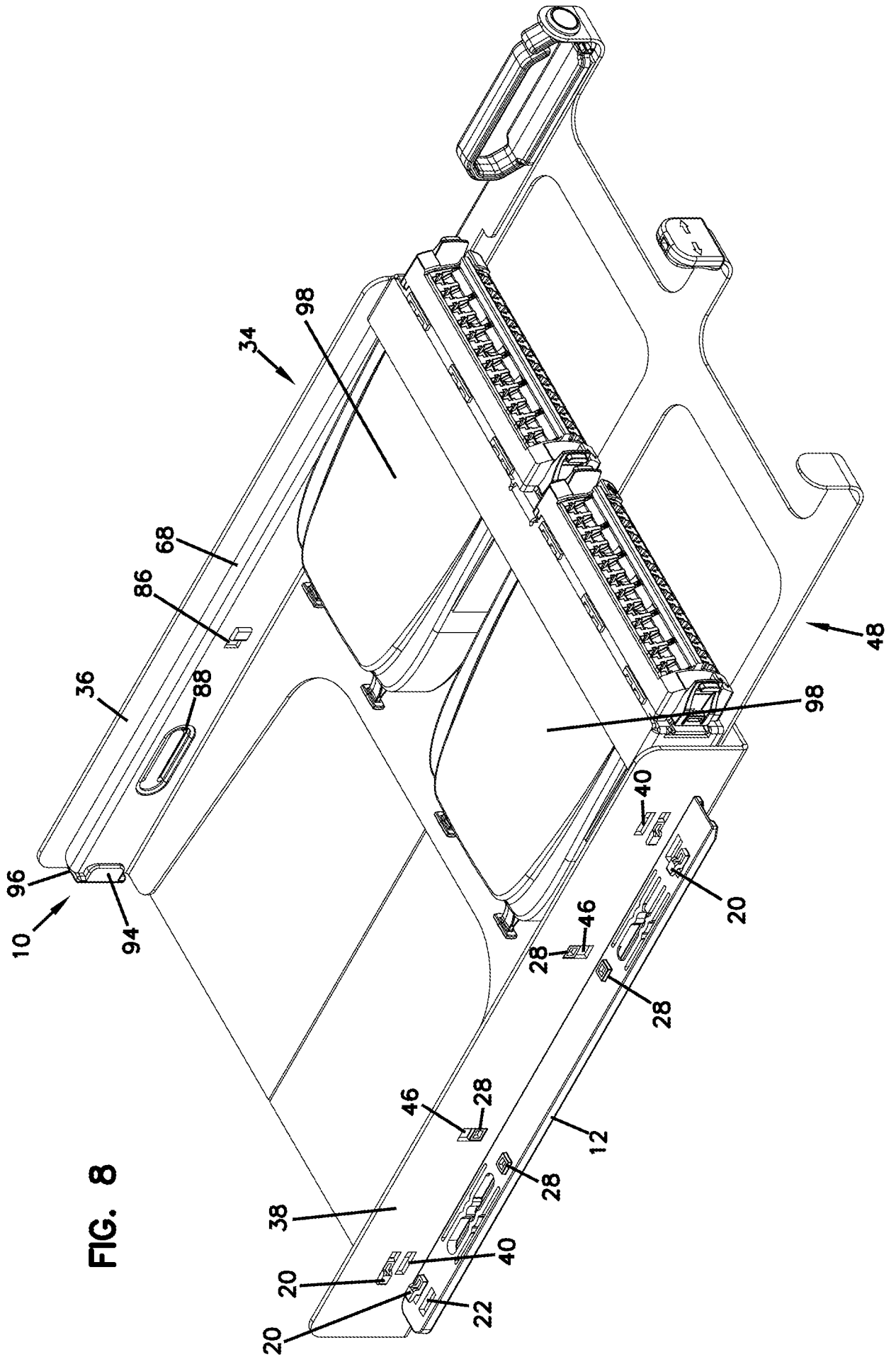
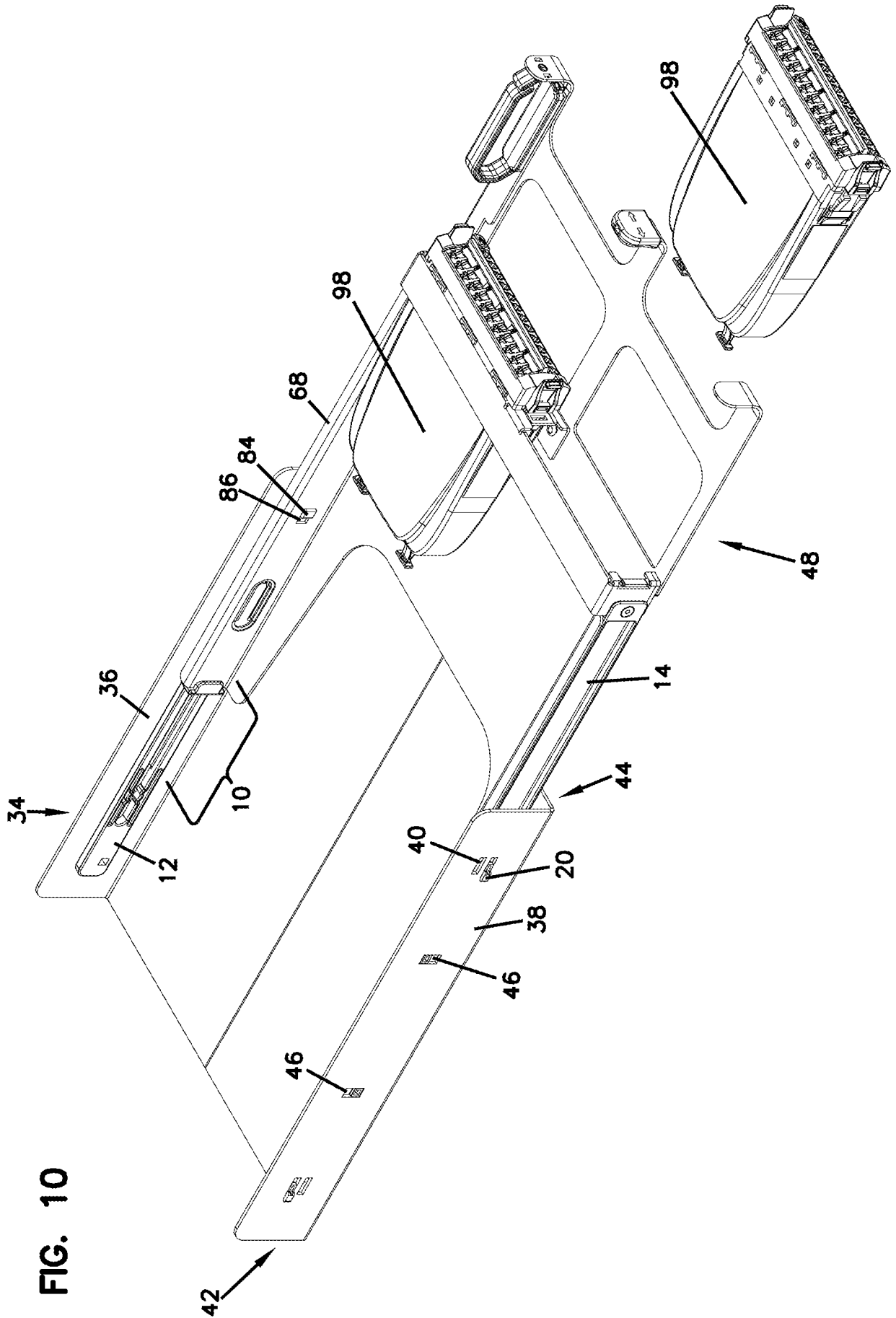


FIG. 8



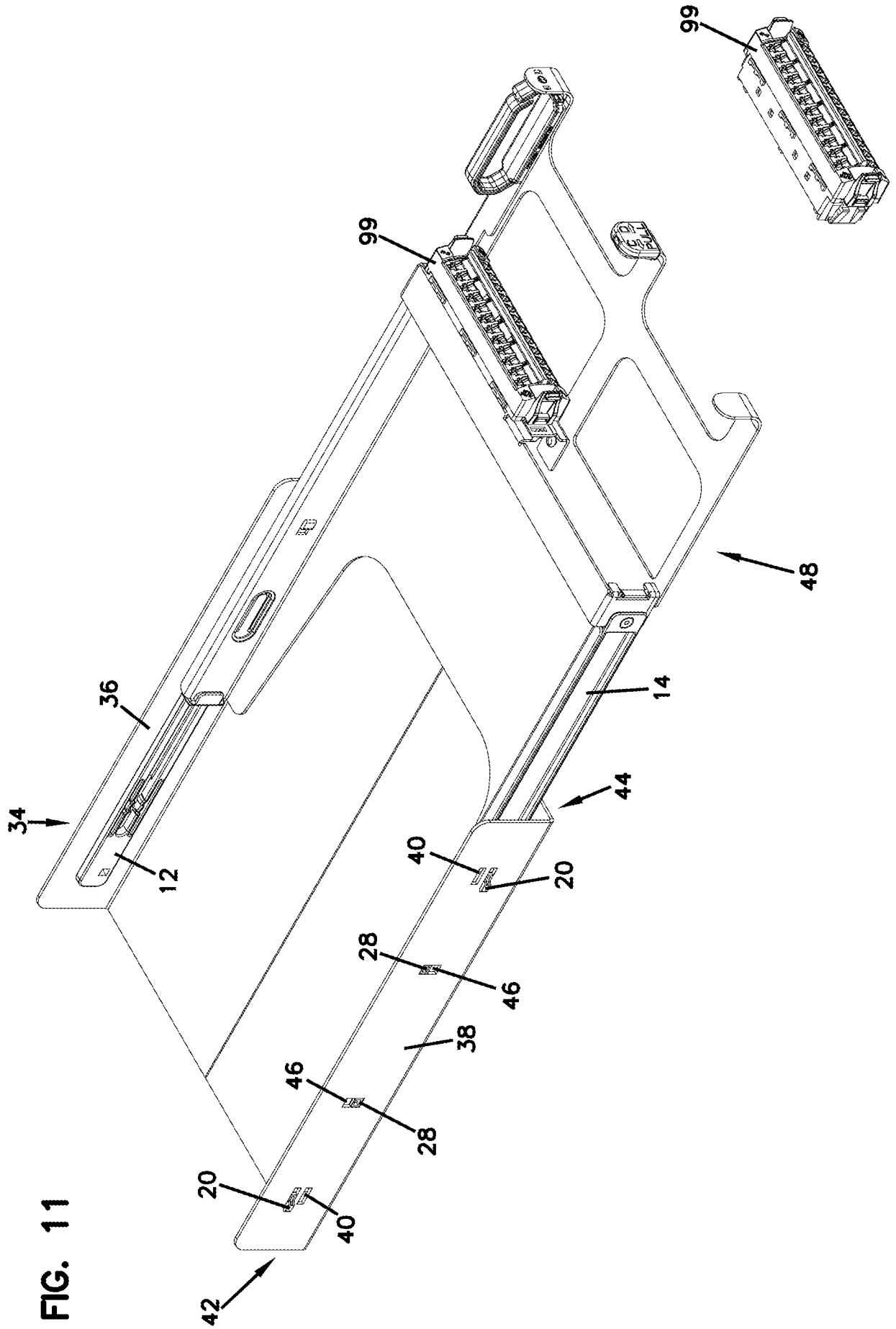
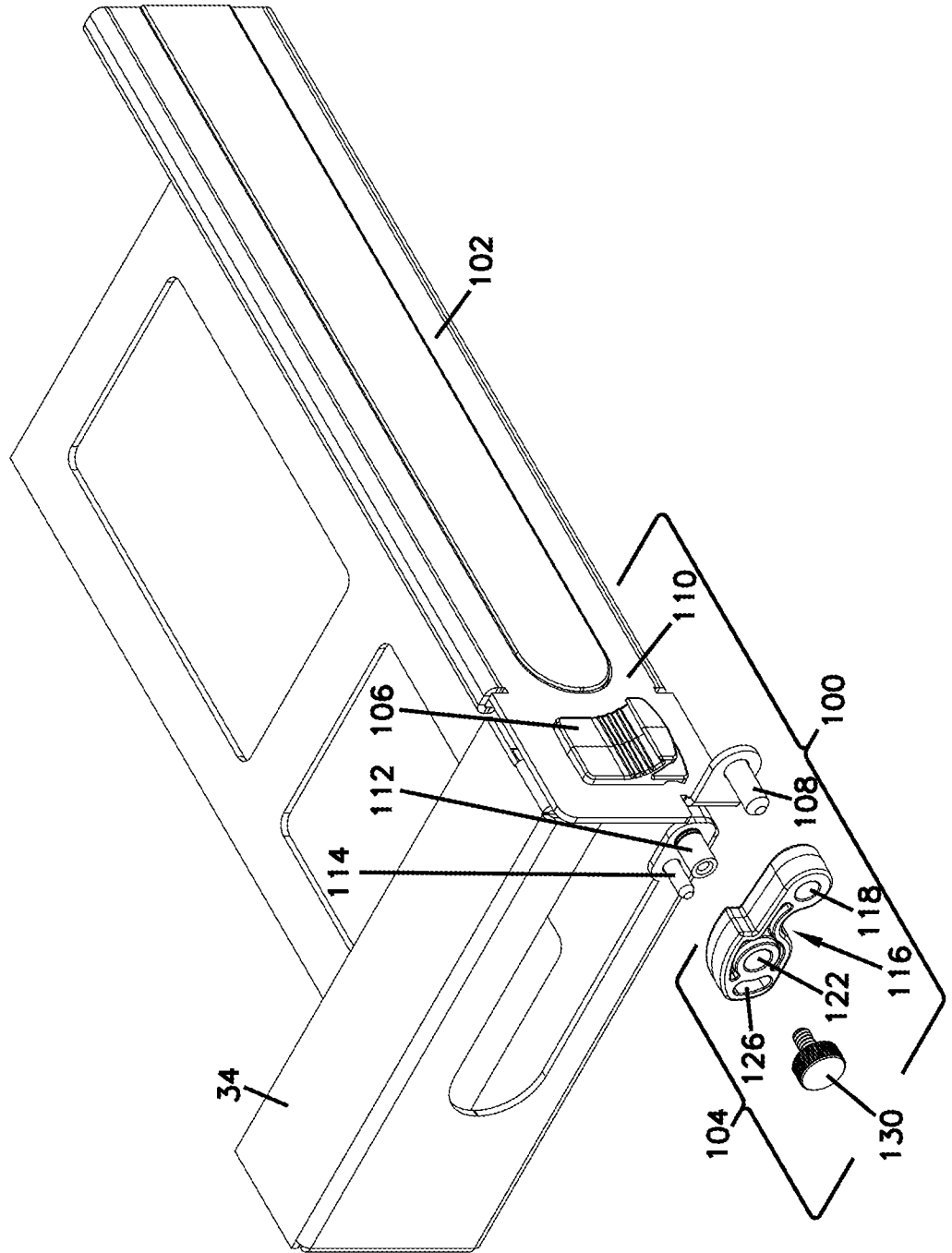


FIG. 12



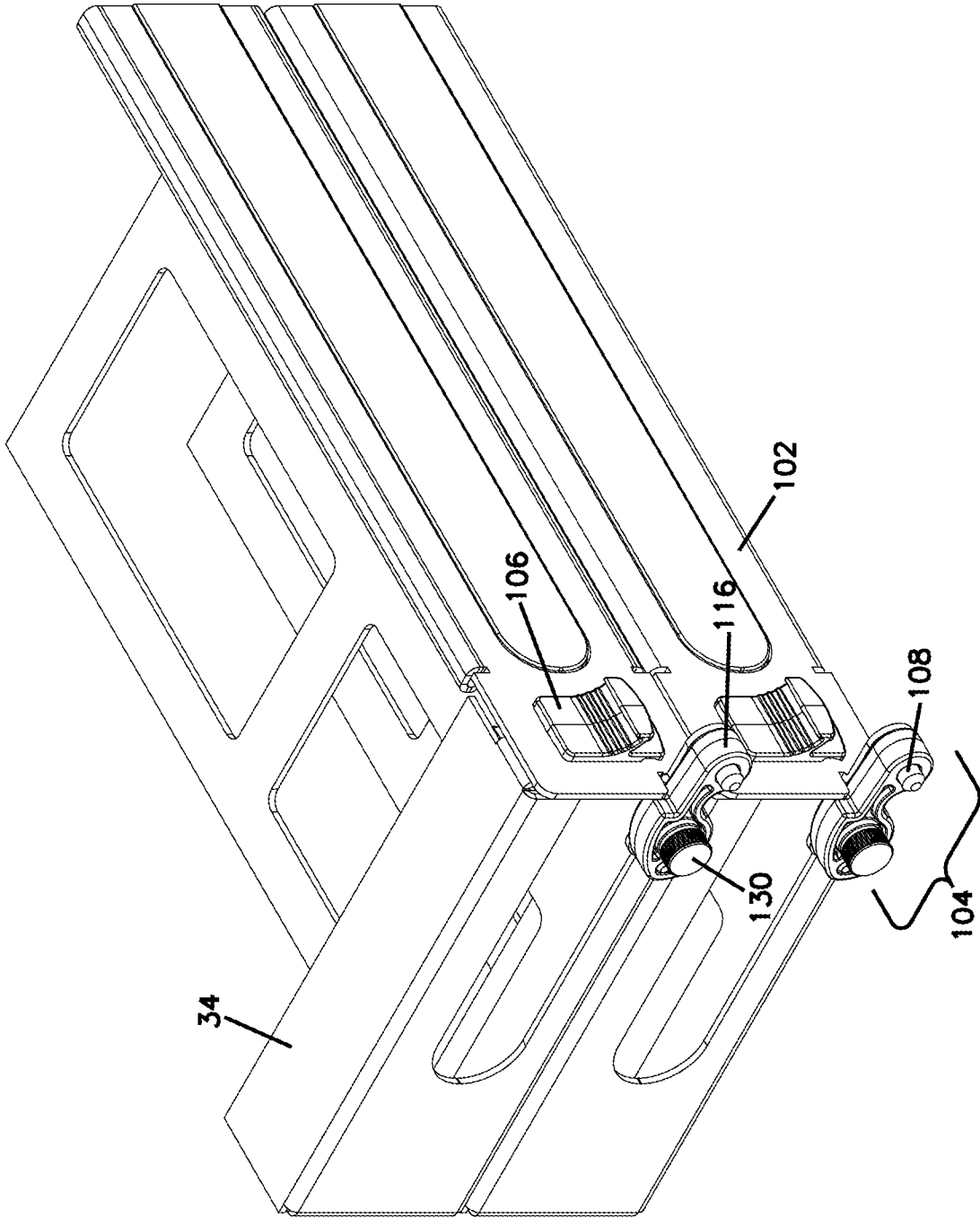


FIG. 13

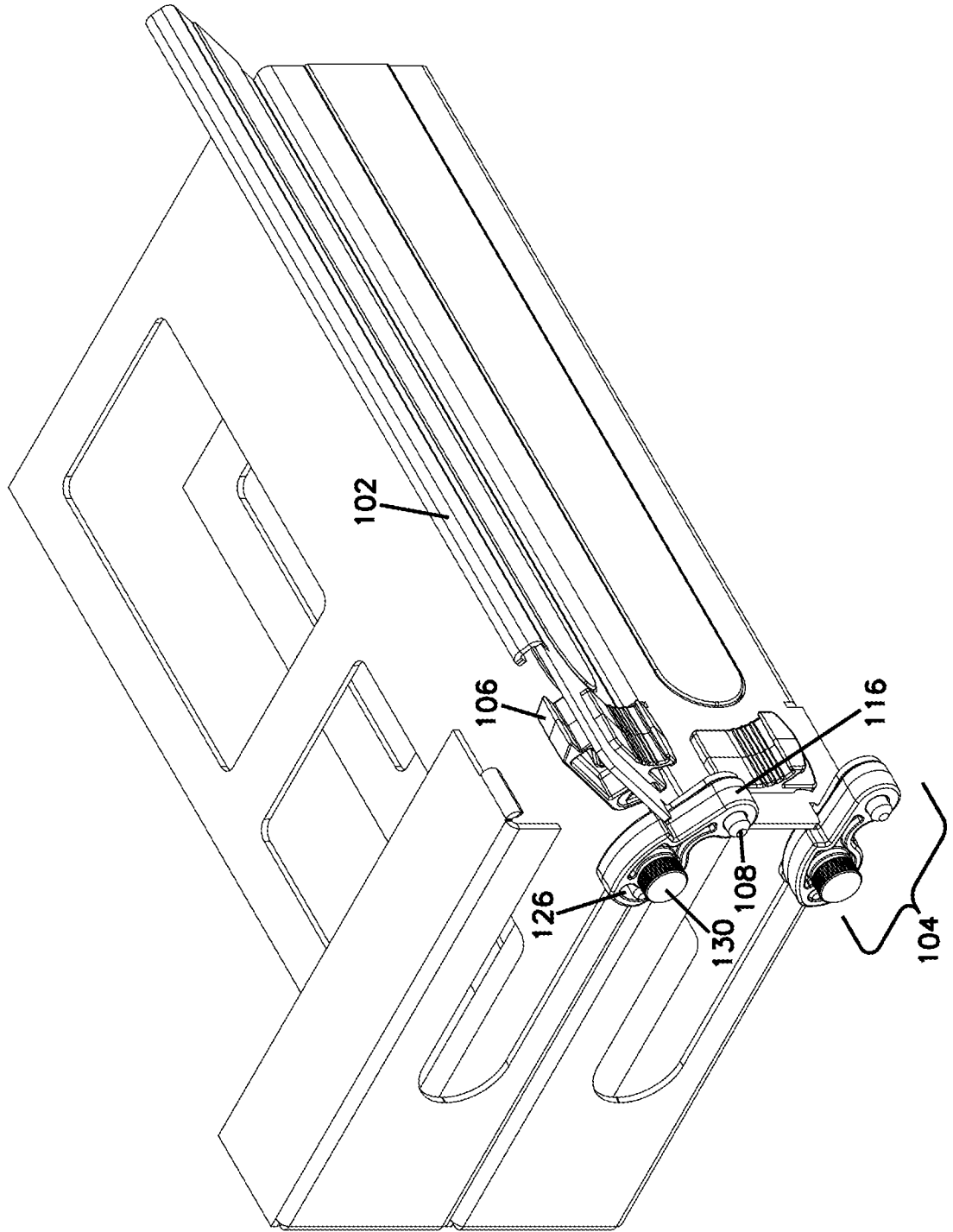


FIG. 14

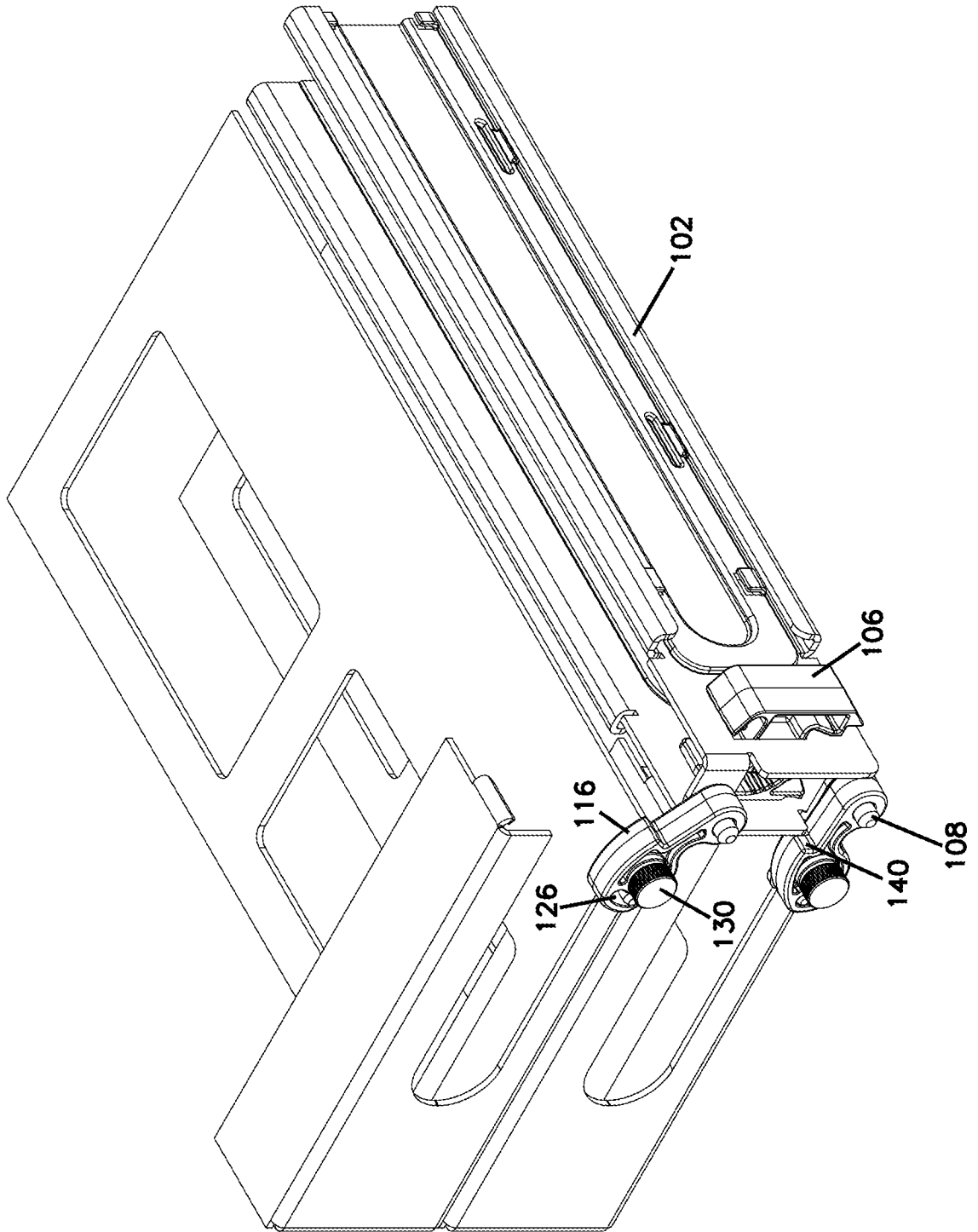
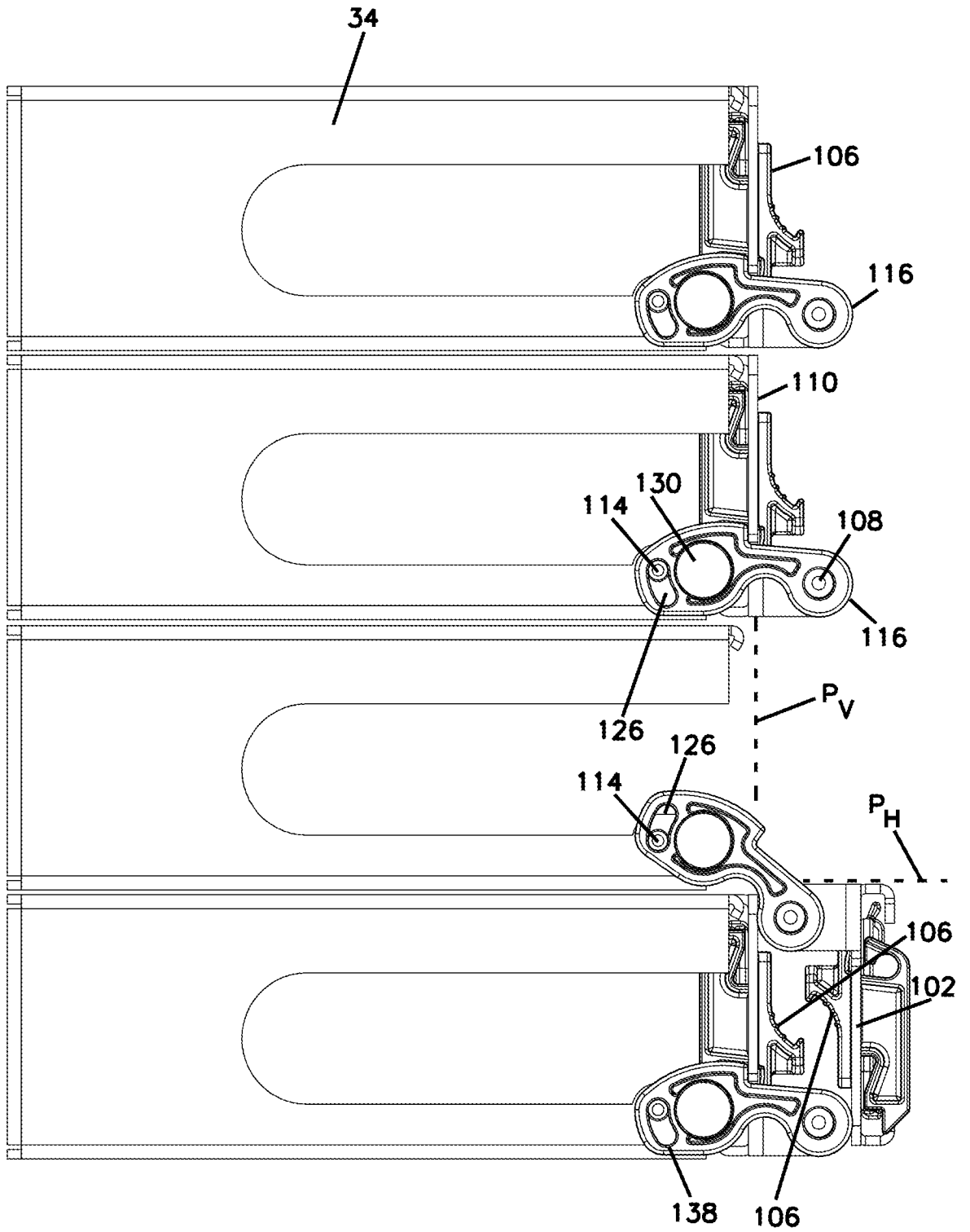


FIG. 15

FIG. 16



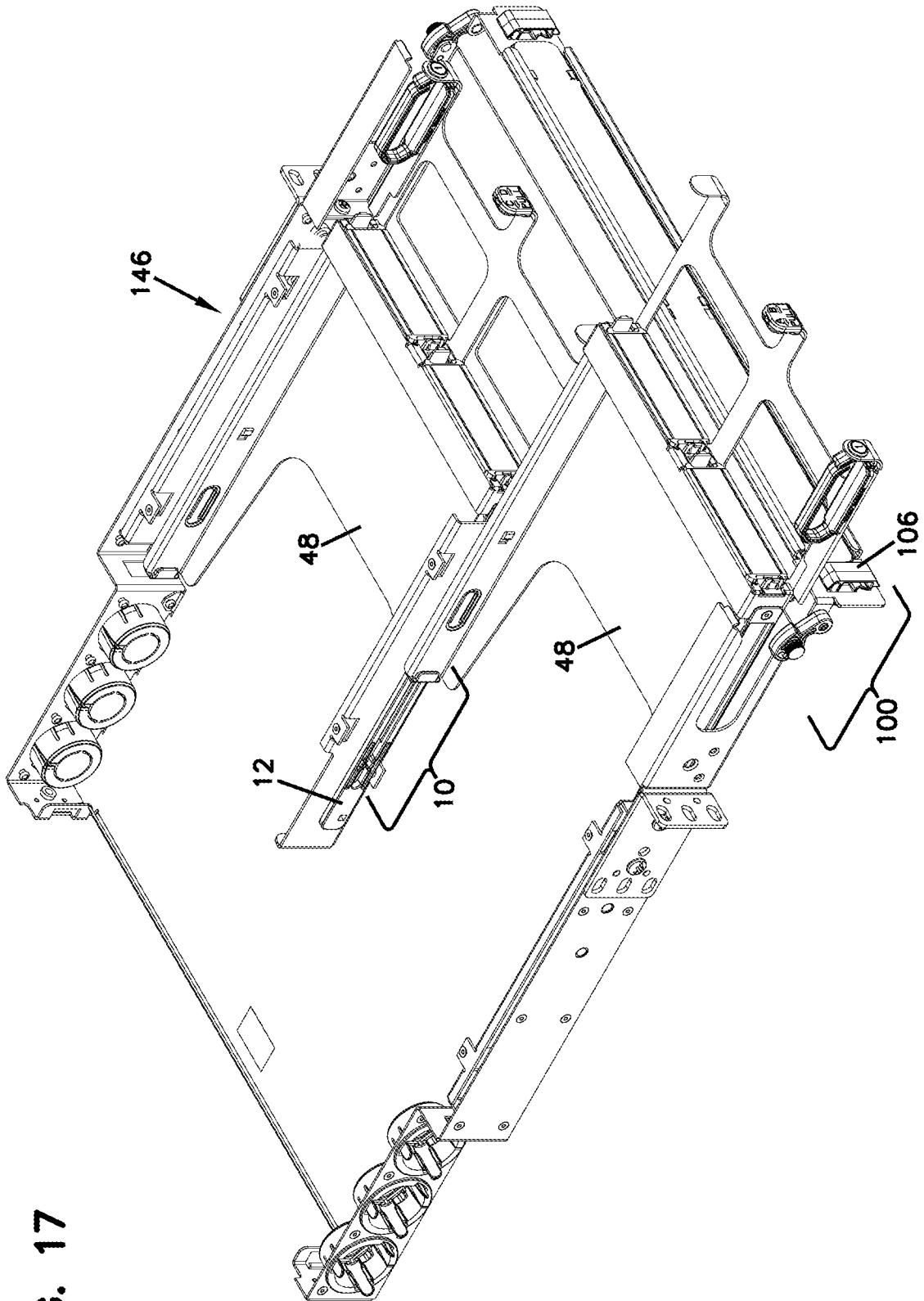


FIG. 17

FIG. 18

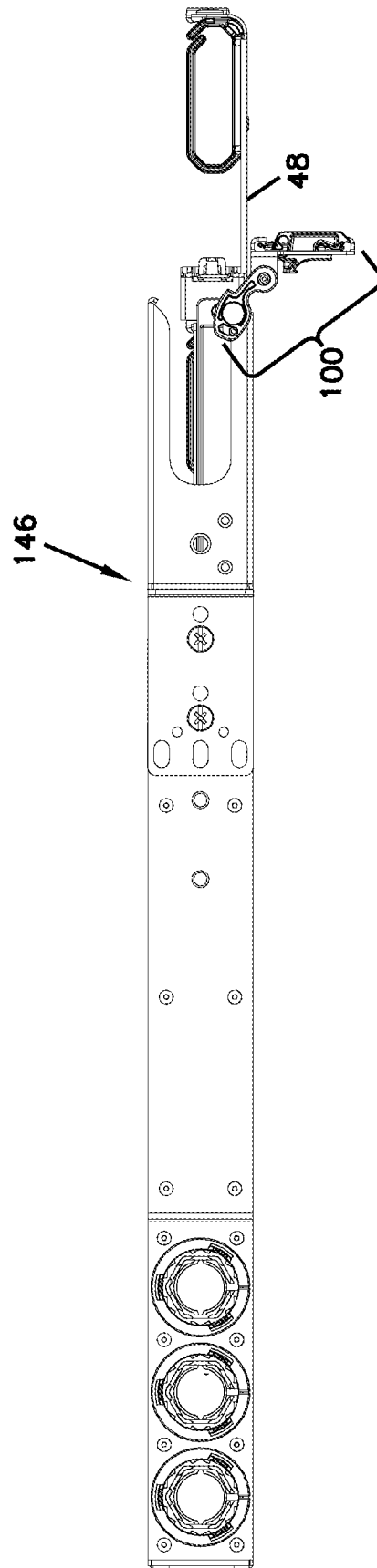


FIG. 19

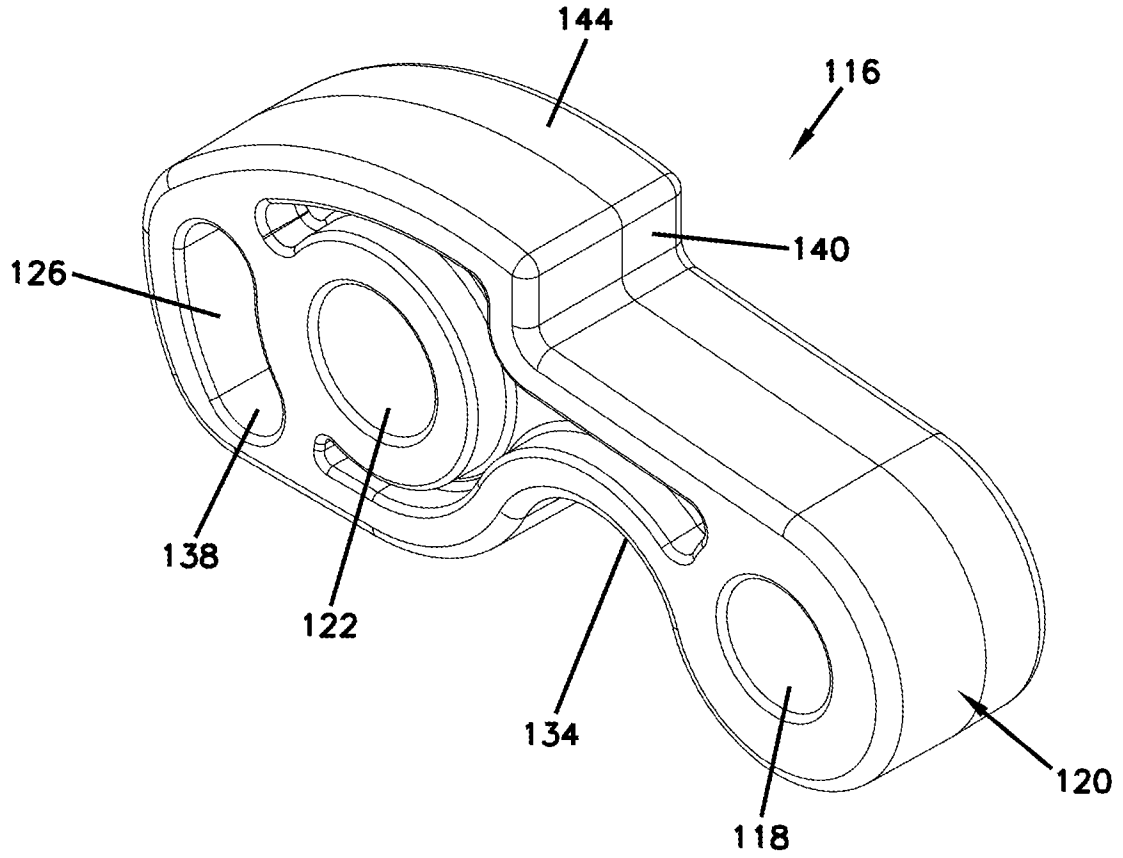
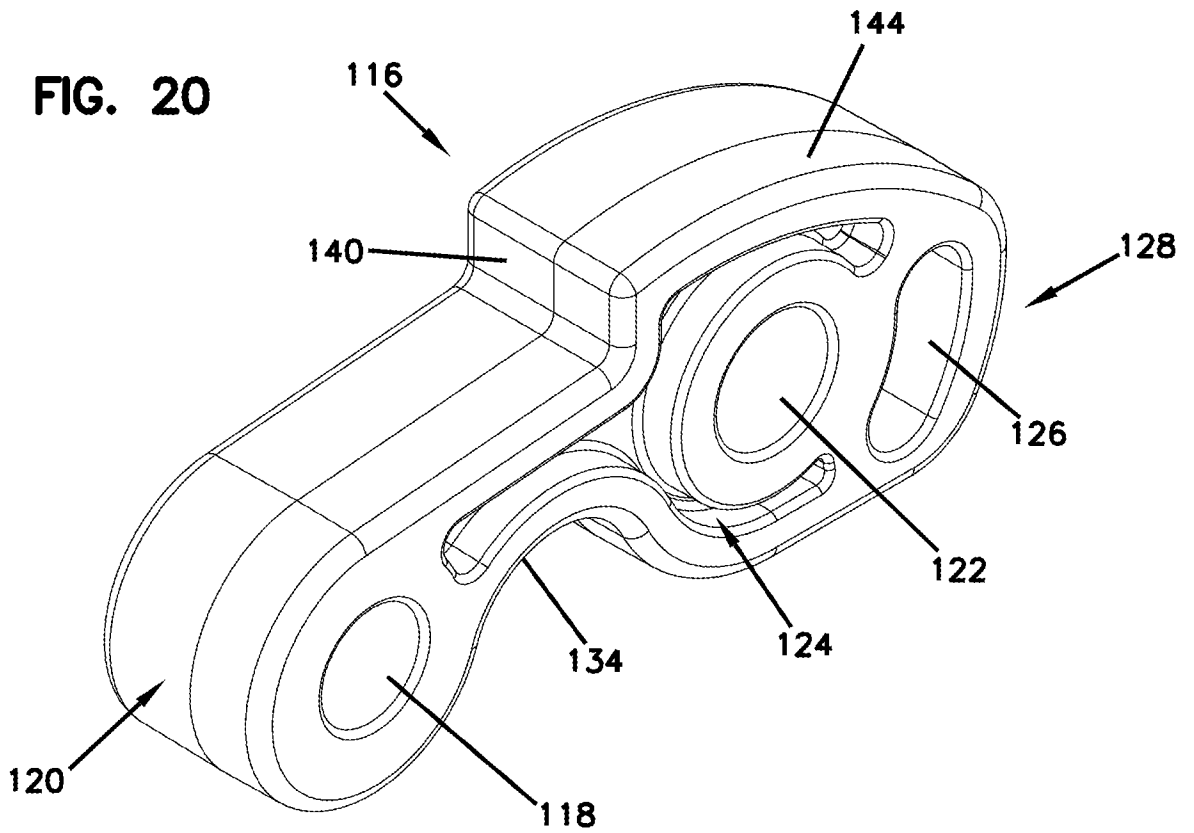
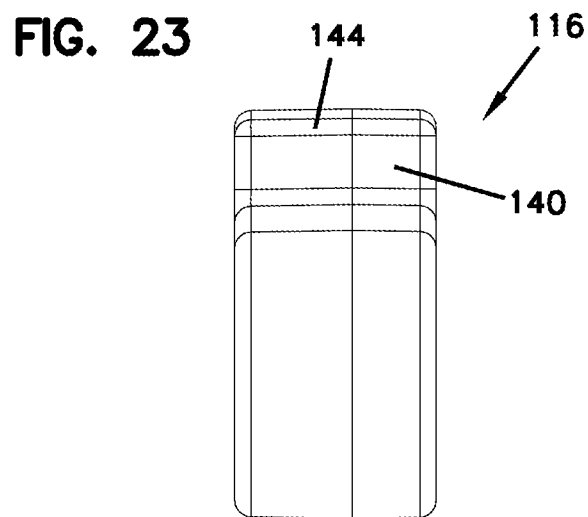
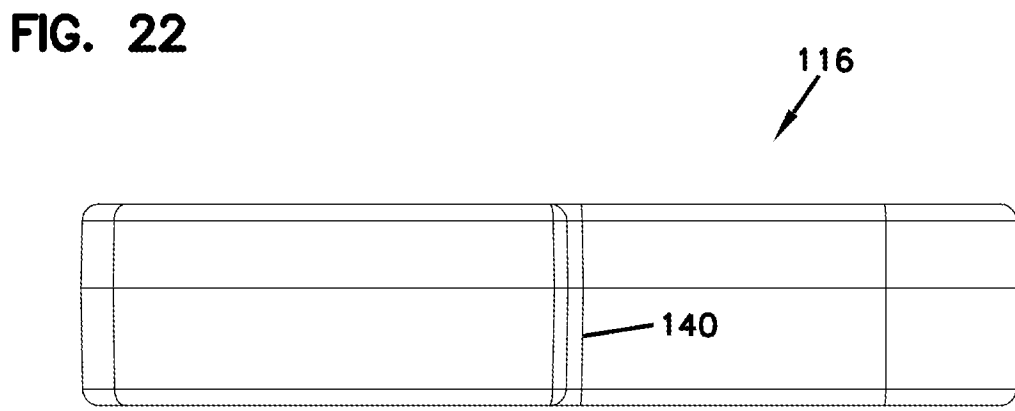
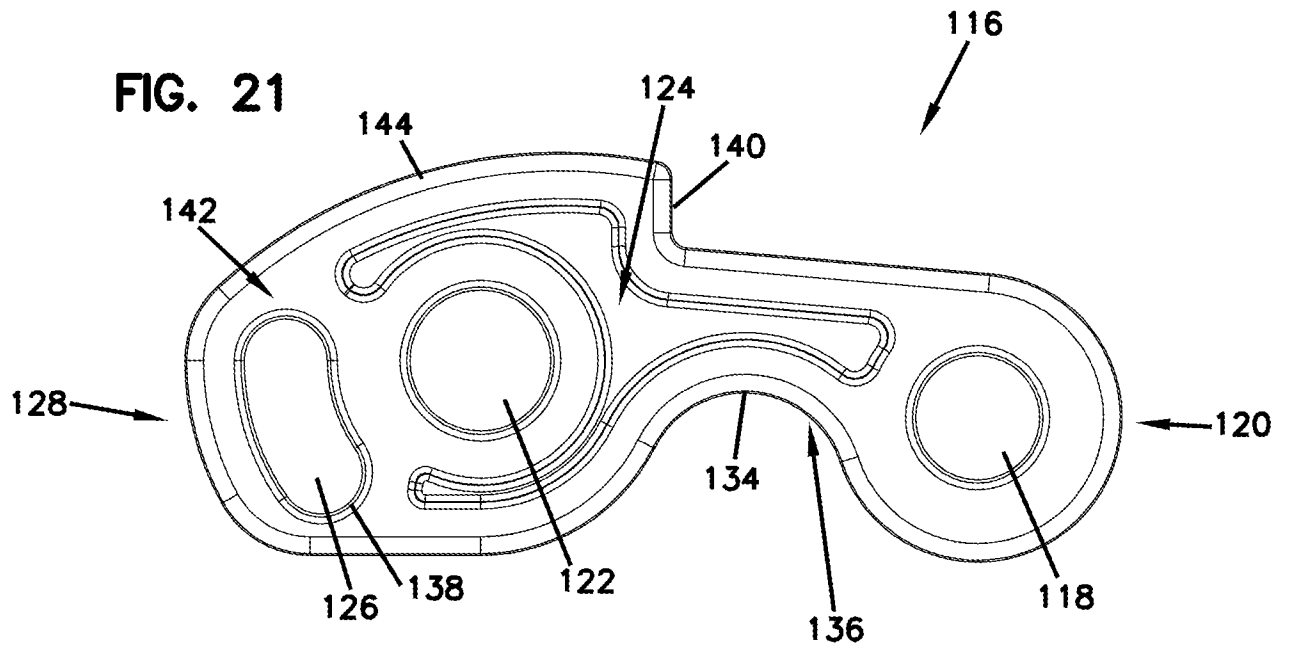


FIG. 20





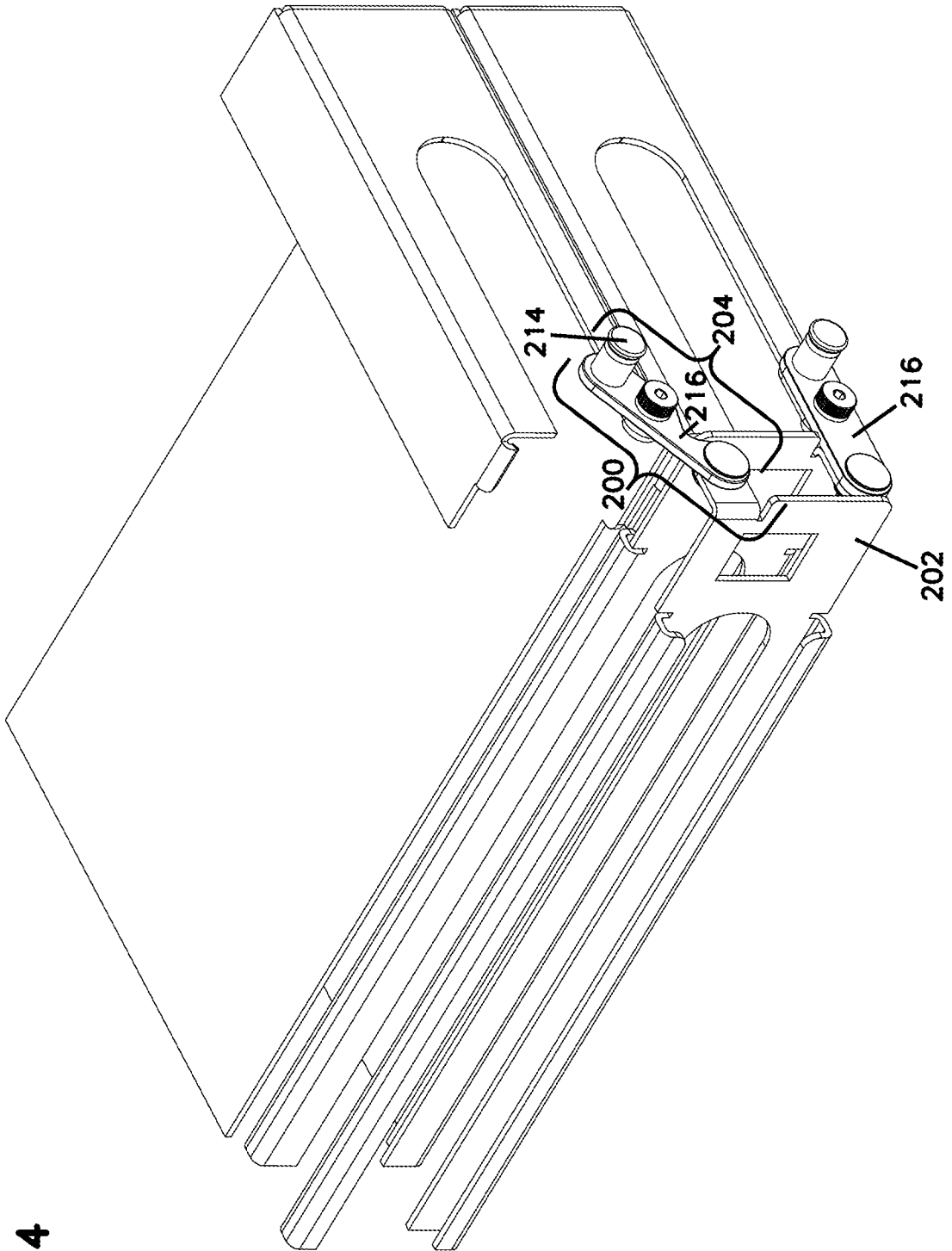


FIG. 24

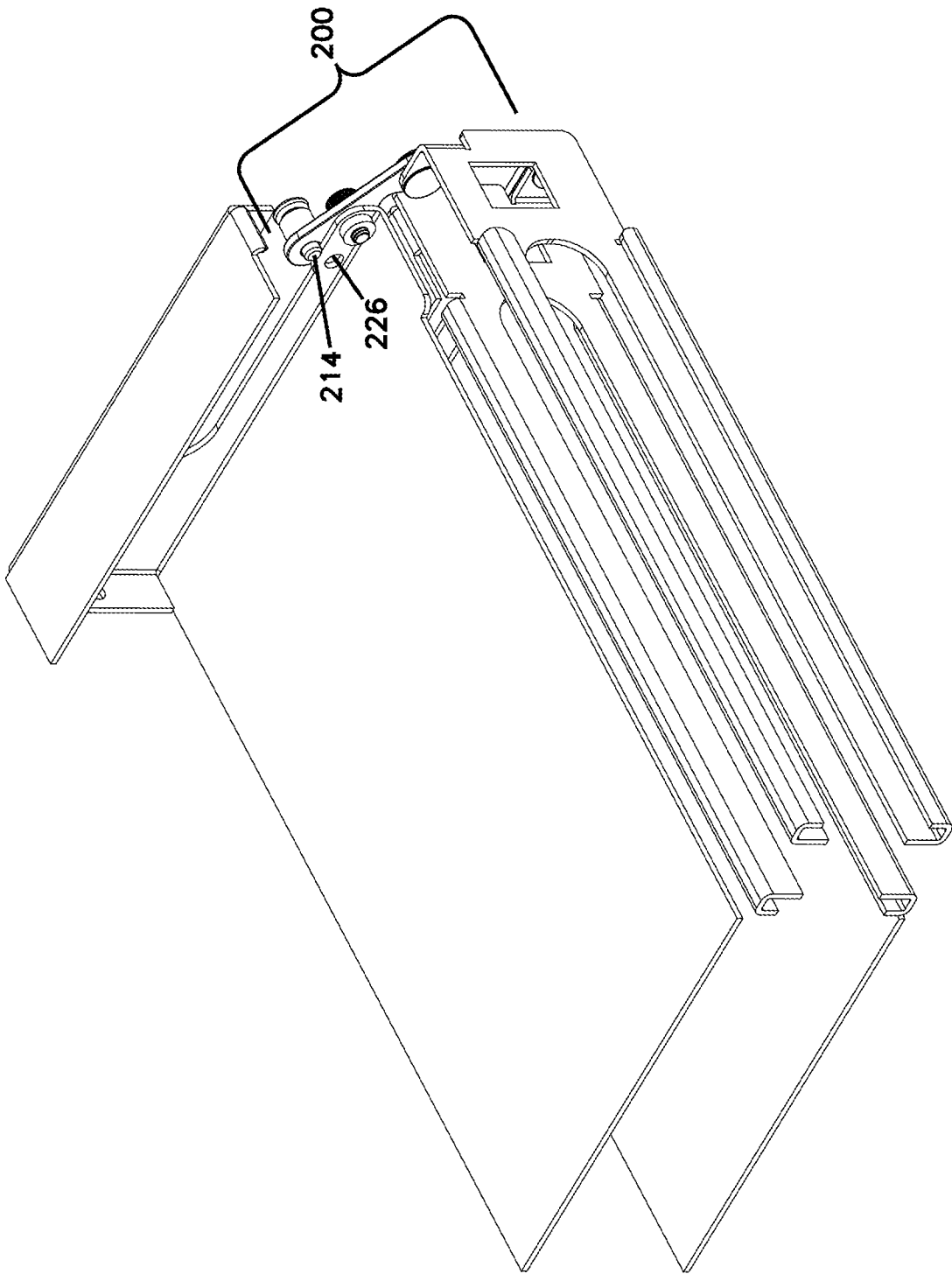
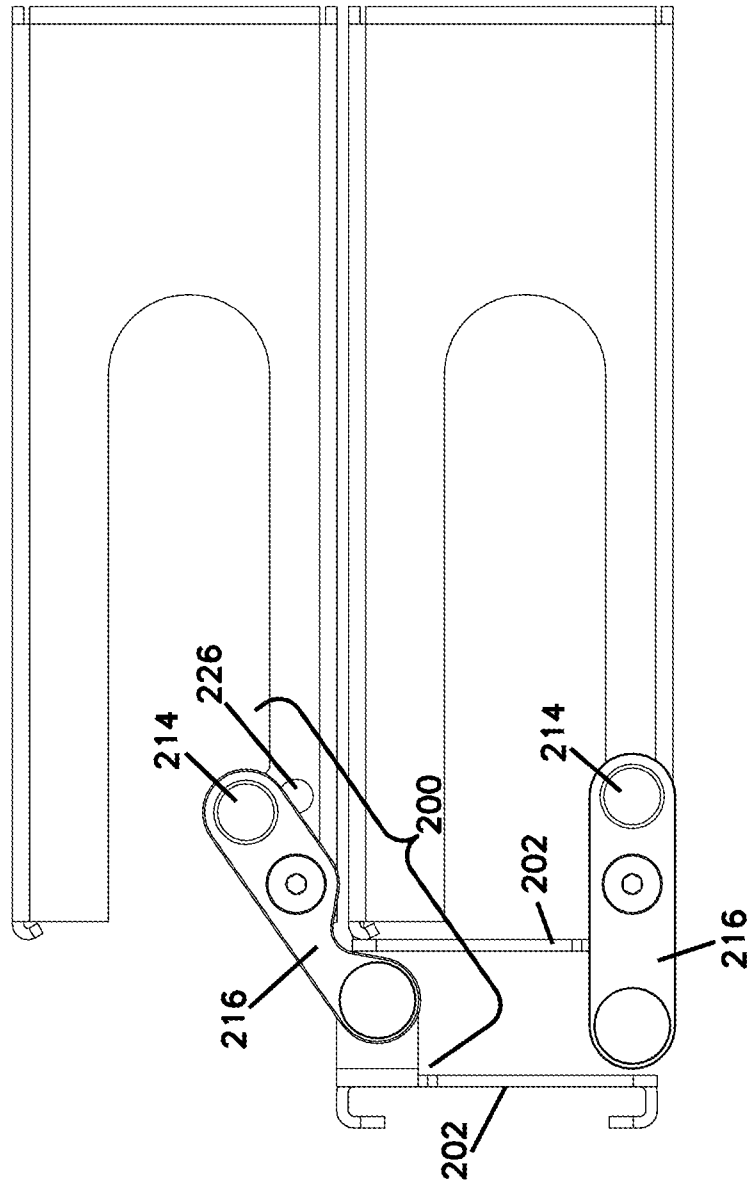


FIG. 25

FIG. 26



A. CLASSIFICATION OF SUBJECT MATTER**H04Q 1/02(2006.01)i**

According to International Patent Classification (IPC) or to both national classification and IPC

B. FIELDS SEARCHEDMinimum documentation searched (classification system followed by classification symbols)
H04Q 1/02; E05F 1/12; E05D 11/10; G02B 6/00; E05D 11/06; G02B 6/44Documentation searched other than minimum documentation to the extent that such documents are included in the fields searched
Korean utility models and applications for utility models
Japanese utility models and applications for utility modelsElectronic data base consulted during the international search (name of data base and, where practicable, search terms used)
eKOMPASS(KIPO internal) & Keywords: telecommunications chassis, hinge, door, fully open, pivot, stop**C. DOCUMENTS CONSIDERED TO BE RELEVANT**

Category*	Citation of document, with indication, where appropriate, of the relevant passages	Relevant to claim No.
X	WO 2016-012295 A1 (TYCO ELECTRONICS RAYCHEM BVBA) 28 January 2016 See page 8, lines 3-22, page 9, lines 14-30, page 10, lines 16-29, page 11, lines 18-22, claims 1, 8, 16, 18 and figures 2-9.	1-3, 5-9, 11-14
Y		4, 10, 15-20
Y	JP 2009-097157 A (SHOWA SPRING K.K.) 07 May 2009 See paragraphs [0023]-[0024] and figures 4-5.	4, 10, 18
Y	US 2016-0077297 A1 (ADC TELECOMMUNICATIONS, INC.) 17 March 2016 See paragraphs [0027]-[0028], [0033], [0036] and figures 10-14.	15-20
A	WO 2010-135523 A1 (CORNING CABLE SYSTEMS LLC.) 25 November 2010 See paragraphs [0097]-[00107] and figures 11A-13H.	1-20
A	CN 202421594 U (TYCO ELECTRONICS (SHANGHAI) CO., LTD.) 05 September 2012 See claims 1-14 and figures 2-4.	1-20

 Further documents are listed in the continuation of Box C. See patent family annex.

* Special categories of cited documents:

"A" document defining the general state of the art which is not considered to be of particular relevance

"E" earlier application or patent but published on or after the international filing date

"L" document which may throw doubts on priority claim(s) or which is cited to establish the publication date of another citation or other special reason (as specified)

"O" document referring to an oral disclosure, use, exhibition or other means

"P" document published prior to the international filing date but later than the priority date claimed

"T" later document published after the international filing date or priority date and not in conflict with the application but cited to understand the principle or theory underlying the invention

"X" document of particular relevance; the claimed invention cannot be considered novel or cannot be considered to involve an inventive step when the document is taken alone

"Y" document of particular relevance; the claimed invention cannot be considered to involve an inventive step when the document is combined with one or more other such documents, such combination being obvious to a person skilled in the art

"&" document member of the same patent family

Date of the actual completion of the international search

07 July 2017 (07.07.2017)

Date of mailing of the international search report

25 July 2017 (25.07.2017)

Name and mailing address of the ISA/KR

International Application Division
Korean Intellectual Property Office
189 Cheongsa-ro, Seo-gu, Daejeon, 35208, Republic of Korea

Facsimile No. +82-42-481-8578

Authorized officer

KIM, Seong Woo

Telephone No. +82-42-481-3348



INTERNATIONAL SEARCH REPORT

Information on patent family members

International application No.

PCT/US2017/027915

Patent document cited in search report	Publication date	Patent family member(s)	Publication date
WO 2016-012295 A1	28/01/2016	EP 3172903 A1	31/05/2017
JP 2009-097157 A	07/05/2009	None	
US 2016-0077297 A1	17/03/2016	WO 2016-040866 A1	17/03/2016
WO 2010-135523 A1	25/11/2010	AU 2010-249538 A1	25/11/2010
		AU 2010-249789 A1	12/01/2012
		AU 2011-245165 A1	03/11/2011
		AU 2011-245168 A1	03/11/2011
		AU 2011-245247 A1	03/11/2011
		AU 2011-249871 A1	10/11/2011
		AU 2011-249872 A1	10/11/2011
		AU 2011-249875 A1	10/11/2011
		AU 2011-249877 A1	10/11/2011
		AU 2011-249878 A1	10/11/2011
		AU 2011-331987 A1	31/05/2012
		CA 2760818 A1	25/11/2010
		CA 2762309 A1	25/11/2010
		CA 2796428 A1	03/11/2011
		CA 2796612 A1	03/11/2011
		CA 2797128 A1	10/11/2011
		CA 2797129 A1	10/11/2011
		CA 2797276 A1	03/11/2011
		CA 2797538 A1	10/11/2011
		CA 2797548 A1	10/11/2011
		CA 2797789 A1	10/11/2011
		CA 2797848 A1	10/11/2011
		CA 2817893 A1	31/05/2012
		CN 102439498 A	02/05/2012
		CN 102439498 B	30/09/2015
		CN 102460248 A	16/05/2012
		CN 102460248 B	21/01/2015
		CN 102859412 A	02/01/2013
		CN 102870025 A	09/01/2013
		CN 102870026 A	09/01/2013
		CN 102870026 B	06/07/2016
		CN 102884463 A	16/01/2013
		CN 102884464 A	16/01/2013
		CN 102884465 A	16/01/2013
		CN 102884466 A	16/01/2013
		CN 102884467 A	16/01/2013
		CN 102884468 A	16/01/2013
		CN 103261929 A	21/08/2013
		EP 2433165 A1	28/03/2012
		EP 2433165 B1	21/12/2016
		EP 2433166 A1	28/03/2012
		EP 2433166 A4	26/12/2012
		EP 2433166 B1	08/03/2017

INTERNATIONAL SEARCH REPORT

Information on patent family members

International application No.

PCT/US2017/027915

Patent document cited in search report	Publication date	Patent family member(s)	Publication date
		EP 2564251 A1	06/03/2013
		EP 2564252 A1	06/03/2013
		EP 2564253 A1	06/03/2013
		EP 2567275 A1	13/03/2013
		EP 2567276 A1	13/03/2013
		EP 2567277 A1	13/03/2013
		EP 2567278 A1	13/03/2013
		EP 2567279 A1	13/03/2013
		EP 2567279 B1	22/10/2014
		EP 2567280 A1	13/03/2013
		EP 2643718 A1	02/10/2013
		EP 3001229 A1	30/03/2016
		JP 2012-527653 A	08/11/2012
		JP 2012-527654 A	08/11/2012
		JP 5656982 B2	21/01/2015
		JP 5706399 B2	22/04/2015
		US 2010-0296790 A1	25/11/2010
		US 2010-0296791 A1	25/11/2010
		US 2011-0268406 A1	03/11/2011
		US 2011-0268408 A1	03/11/2011
		US 2011-0268409 A1	03/11/2011
		US 2011-0268410 A1	03/11/2011
		US 2011-0268411 A1	03/11/2011
		US 2011-0268412 A1	03/11/2011
		US 2011-0274402 A1	10/11/2011
		US 8280216 B2	02/10/2012
		US 8538226 B2	17/09/2013
		US 8705926 B2	22/04/2014
		US 9075217 B2	07/07/2015
		US 9519118 B2	13/12/2016
		US 9632270 B2	25/04/2017
		WO 2010-135501 A1	25/11/2010
		WO 2011-137341 A1	03/11/2011
		WO 2011-137350 A1	03/11/2011
		WO 2011-137353 A1	03/11/2011
		WO 2011-140538 A1	10/11/2011
		WO 2011-140539 A1	10/11/2011
		WO 2011-140540 A1	10/11/2011
		WO 2011-140543 A1	10/11/2011
		WO 2011-140545 A1	10/11/2011
		WO 2011-140546 A1	10/11/2011
		WO 2012-071361 A1	31/05/2012
CN202421594 U	05/09/2012	None	