



(12) **United States Design Patent**
Geissele

(10) **Patent No.:** **US D828,895 S**
(45) **Date of Patent:** **** Sep. 18, 2018**

- (54) **TRIGGER MECHANISM**
- (71) Applicant: **WHG Properties, LLC**, North Wales, PA (US)
- (72) Inventor: **William H. Geissele**, Lower Gwynedd, PA (US)
- (73) Assignee: **WHG Properties, LLC**, North Wales, PA (US)
- (**) Term: **15 Years**
- (21) Appl. No.: **29/579,212**
- (22) Filed: **Sep. 28, 2016**
- (51) **LOC (11) Cl.** **22-01**
- (52) **U.S. Cl.**
USPC **D22/108**
- (58) **Field of Classification Search**
USPC D22/103, 104, 108; D21/572; D8/68
CPC F41A 19/10; F41A 17/46; F41A 35/00;
F41A 19/09; F41A 19/11; F41A 19/21;
F41C 27/00
See application file for complete search history.

(56) **References Cited**

U.S. PATENT DOCUMENTS

644,402	A	2/1900	Bye	
2,406,980	A	9/1946	Young	
2,464,427	A	3/1949	Wilson	
3,251,268	A	5/1966	Menneking	
5,086,579	A	2/1992	Flatley	
5,913,261	A	6/1999	Guhring	
9,046,313	B1	6/2015	Lutton	
9,146,066	B1	9/2015	Cason	
9,310,150	B1	4/2016	Geissele	
D781,987	S *	3/2017	Geissele	D22/108
D783,112	S *	4/2017	Geissele	D22/108
D783,759	S *	4/2017	Geissele	D22/108
9,618,288	B2	4/2017	Wilson	

9,618,289	B1 *	4/2017	Geissele	F41A 19/46
9,638,485	B2 *	5/2017	Geissele	F41A 19/10
9,719,744	B2	8/2017	Horch		
9,733,034	B1	8/2017	Vianji		
9,777,980	B2	10/2017	Heizer		
9,784,518	B2 *	10/2017	Geissele	F41A 19/46
9,791,233	B2 *	10/2017	Geissele	F41A 19/46
9,927,197	B1 *	3/2018	Geissele	F41A 17/46
9,927,198	B2 *	3/2018	Geissele	F41A 19/10
2005/0217652	A1	10/2005	Styles		
2010/0229843	A1	9/2010	Hu		
2011/0079137	A1	4/2011	Audibert		
2015/0153126	A1	6/2015	Bender		
2015/0338181	A1	11/2015	McAlister		
2016/0363401	A1	12/2016	Elftmann		

(Continued)

Primary Examiner — Michael A. Pratt
(74) *Attorney, Agent, or Firm* — Fox Rothschild LLP

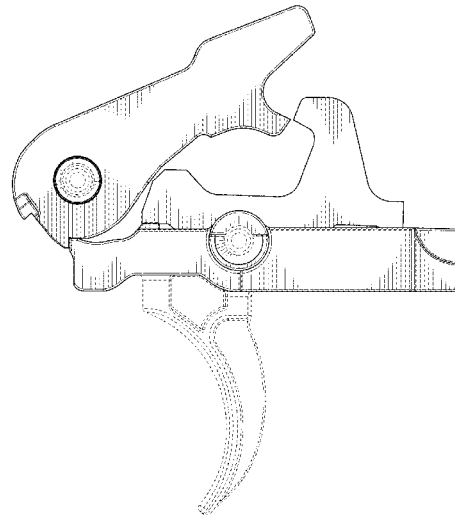
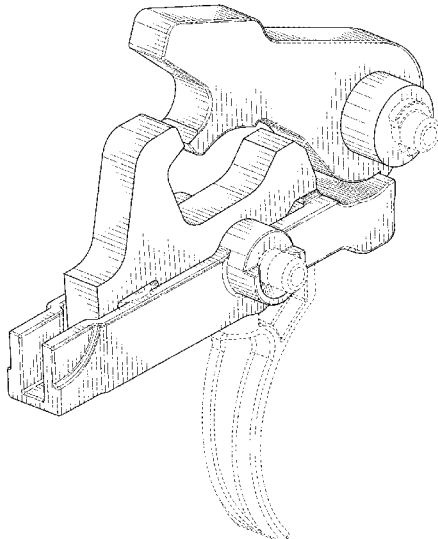
(57) **CLAIM**

The ornamental design for a trigger mechanism, as shown and described.

DESCRIPTION

FIG. 1 is a perspective view of a trigger mechanism according to the present disclosure.
 FIG. 2 is a left side view of the trigger mechanism of FIG. 1.
 FIG. 3 is a right side view of the trigger mechanism of FIG. 1.
 FIG. 4 is a rear view of the trigger mechanism of FIG. 1.
 FIG. 5 is a front view of the trigger mechanism of FIG. 1.
 FIG. 6 is a top view of the trigger mechanism of FIG. 1.
 FIG. 7 is a bottom view of the trigger mechanism of FIG. 1; and,
 FIG. 8 is another right side view of the trigger mechanism of FIG. 1.
 The broken lines in the Figures are for illustrative purposes only and form no part of the claimed design.

1 Claim, 6 Drawing Sheets



(56)

References Cited

U.S. PATENT DOCUMENTS

2017/0097204	A1	4/2017	Geissele
2017/0122686	A1	5/2017	Fellows
2017/0131054	A1	5/2017	Geissele

* cited by examiner

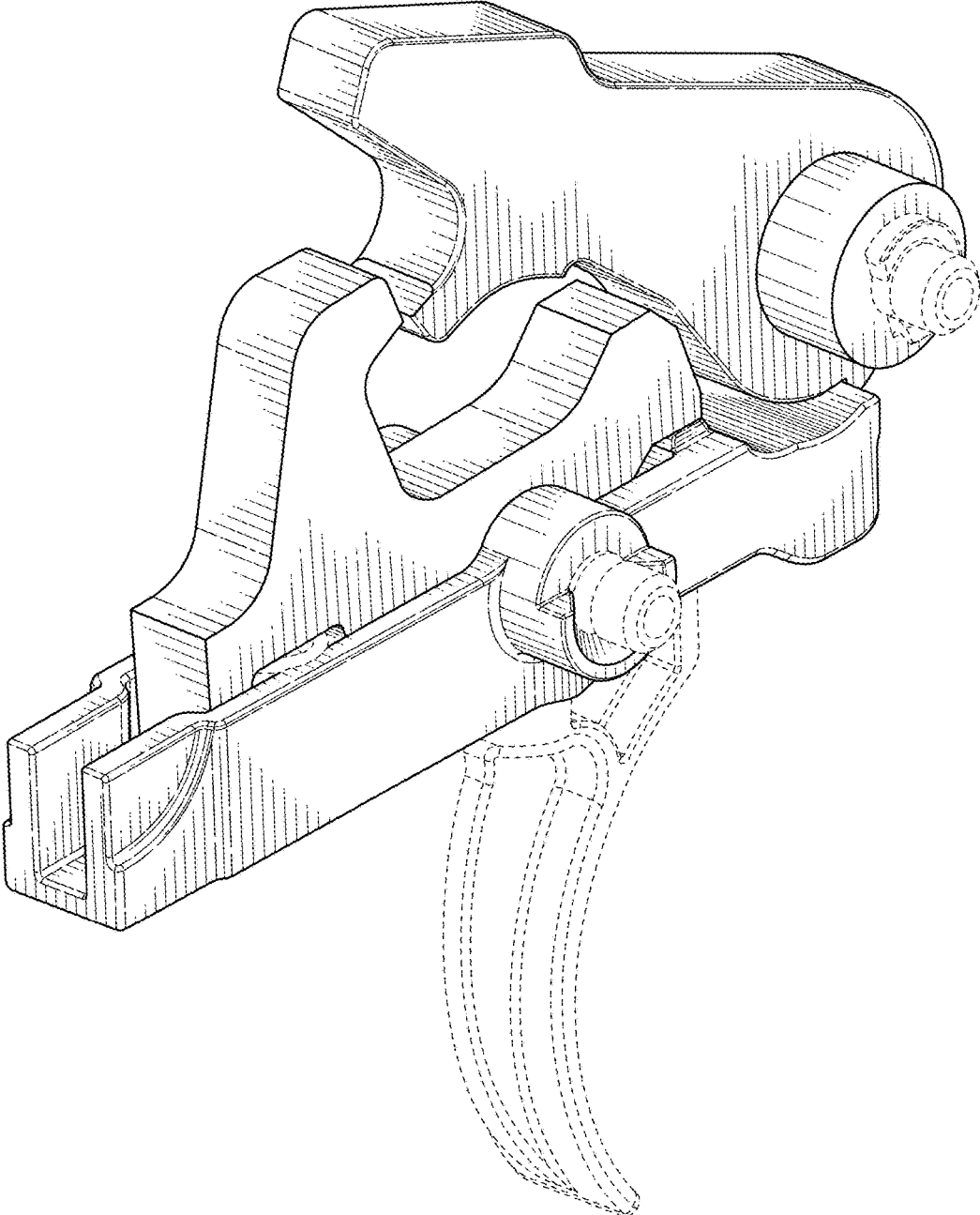


FIG. 1

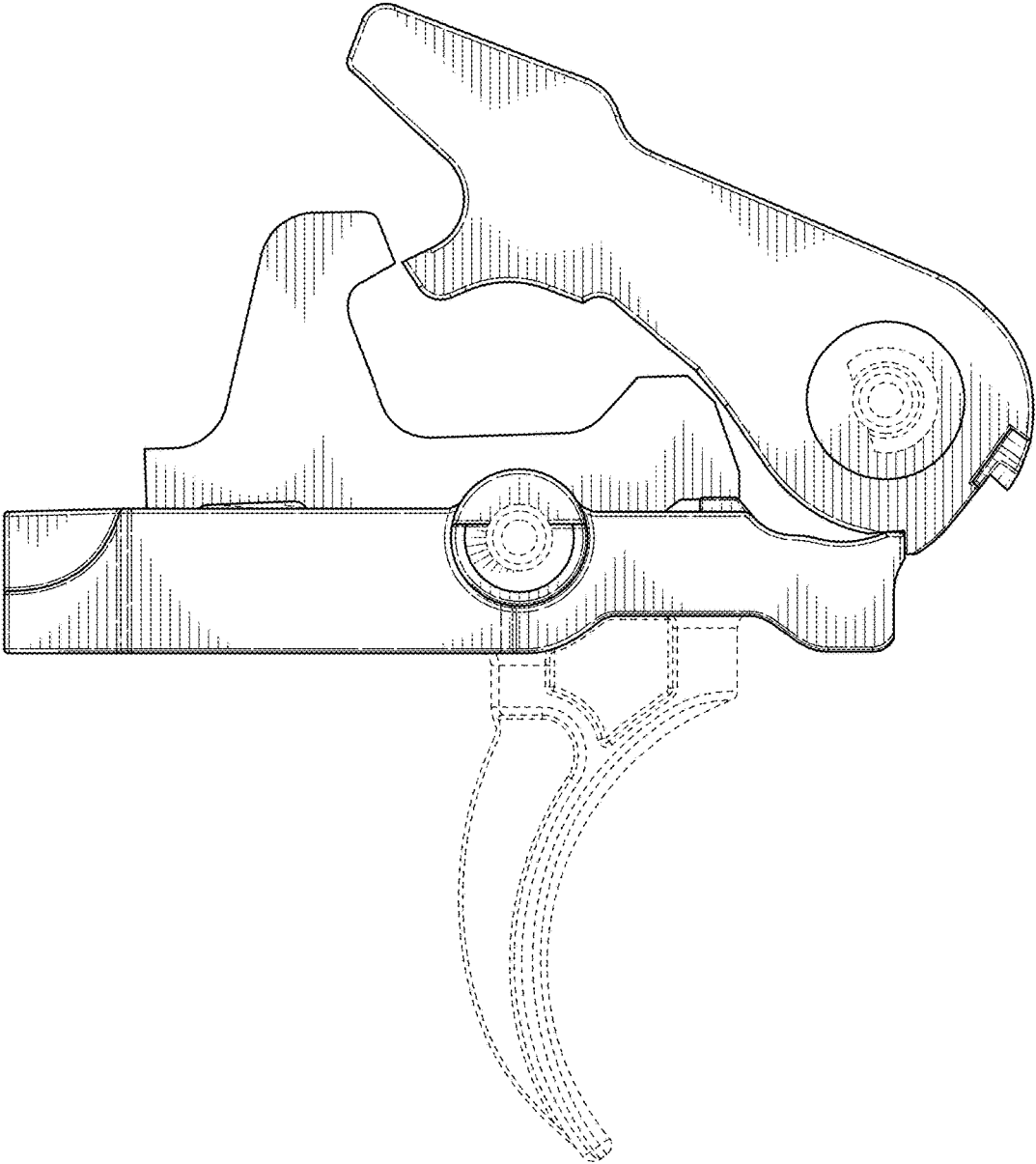


FIG. 2

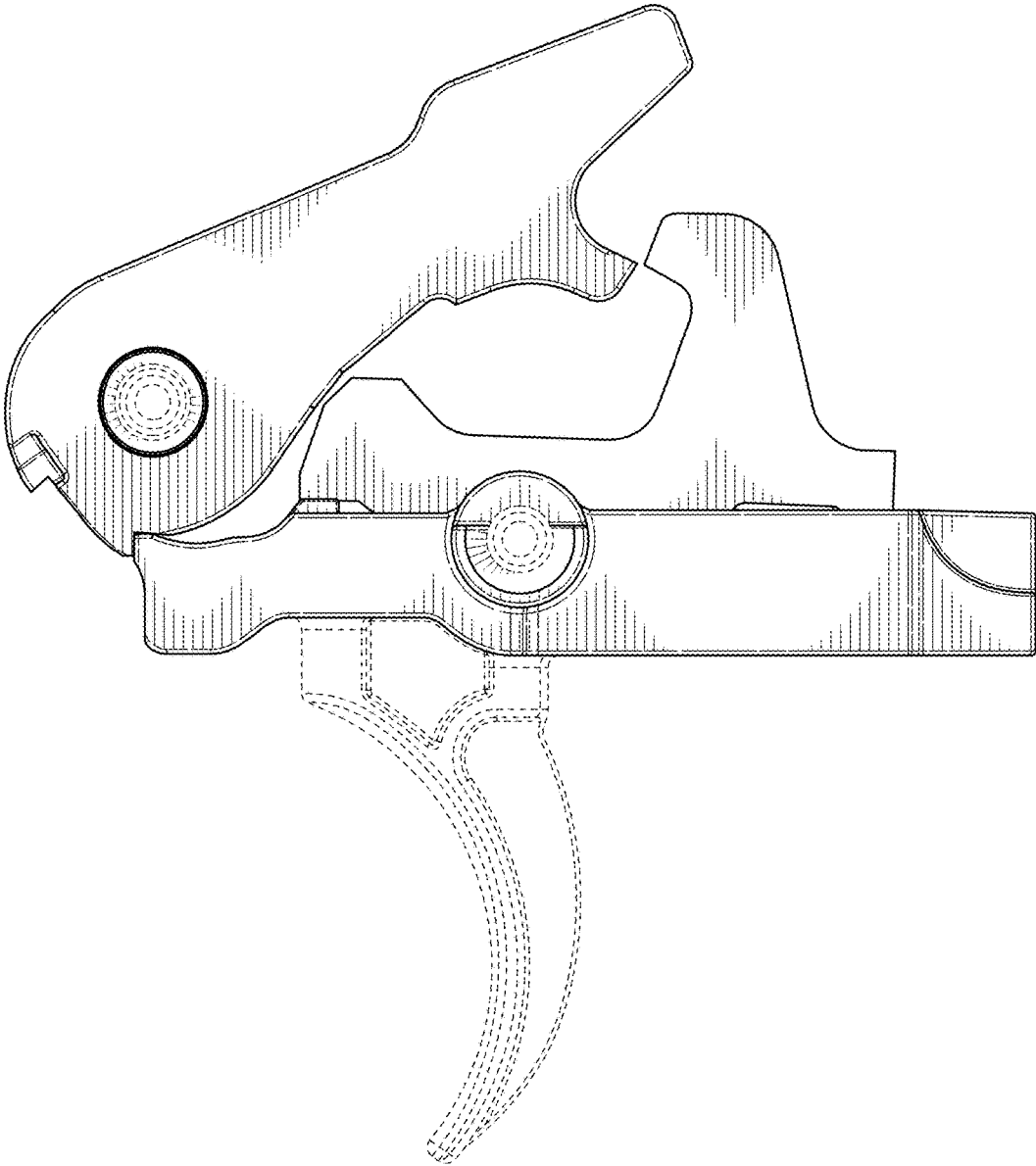


FIG. 3

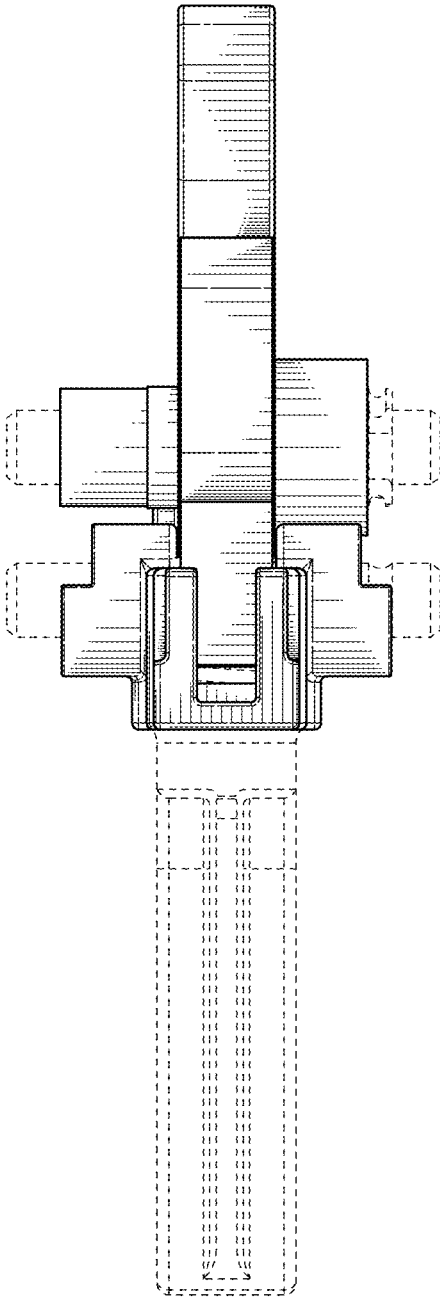


FIG. 4

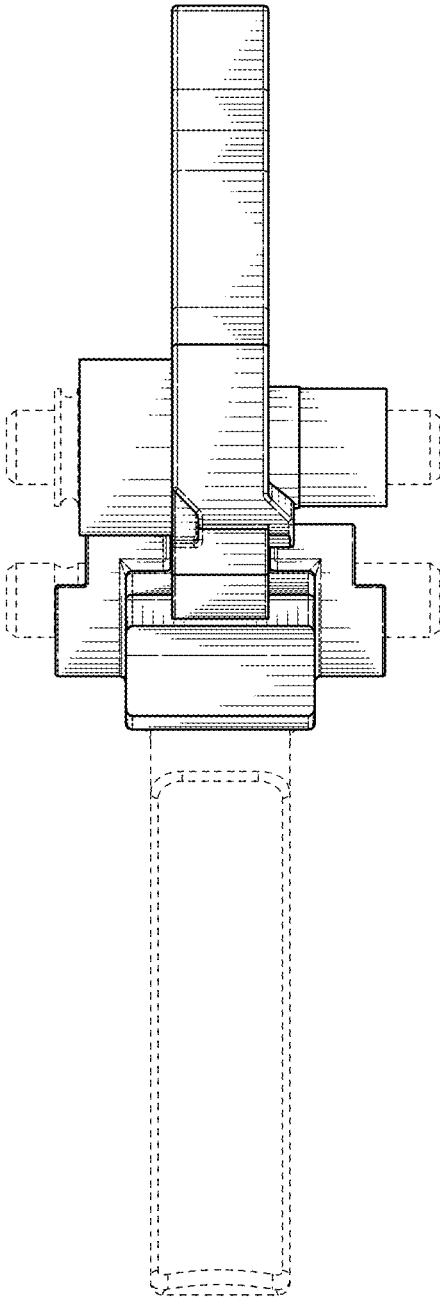


FIG. 5

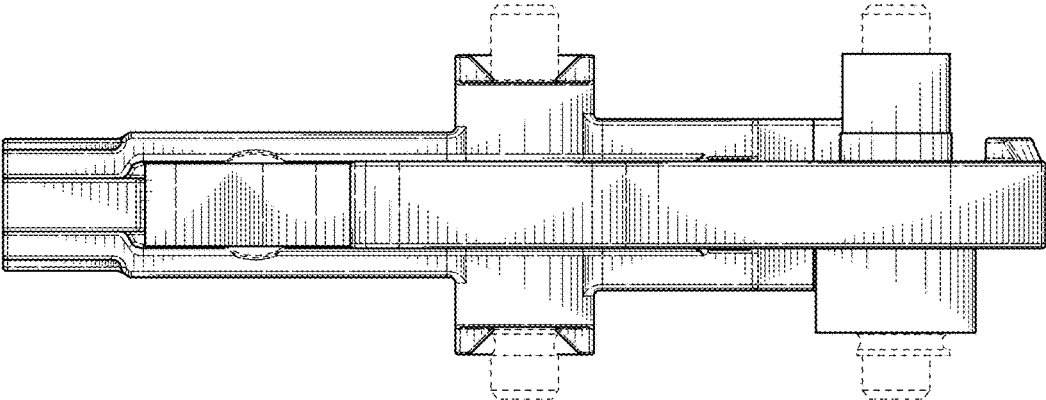


FIG. 6

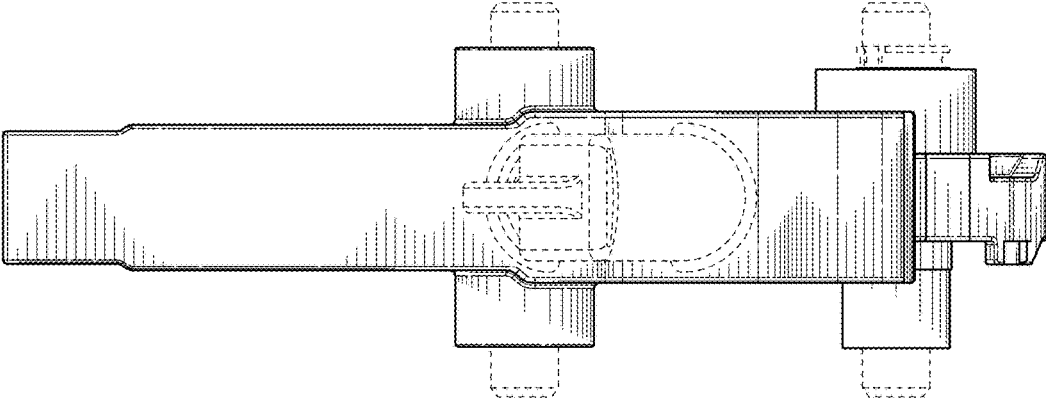


FIG. 7

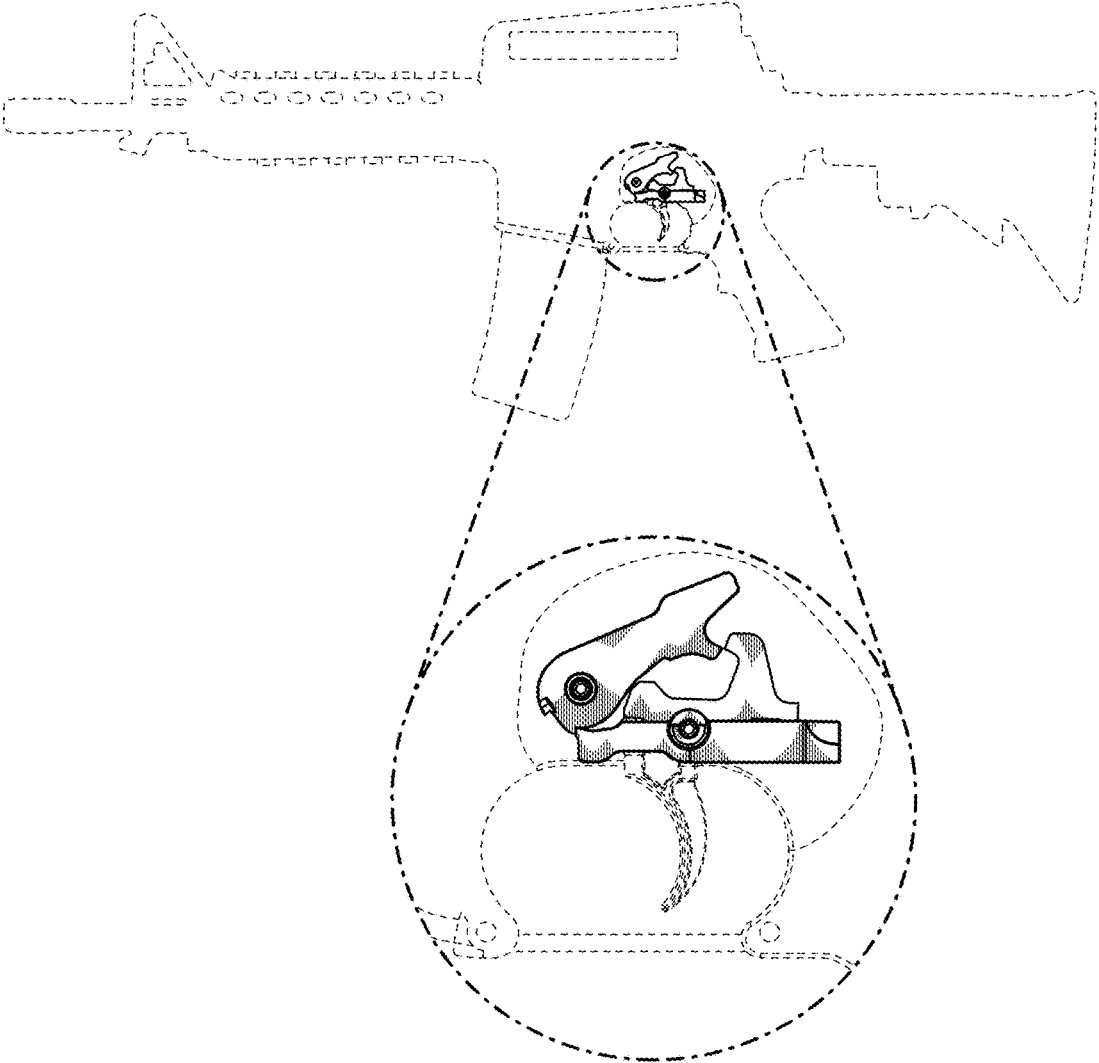


FIG. 8