



US00D360261S

# United States Patent [19]

[11] Patent Number: **Des. 360,261**

Swanson et al.

[45] Date of Patent: **\*\* Jul. 11, 1995**

[54] MEDICAL SPECULUM

4,662,360 5/1987 O'Hara et al. .... D24/135 X  
4,875,468 10/1989 Krauter et al. .... 128/3  
5,135,526 8/1992 Zinnanti et al. .... 128/3 X

[76] Inventors: **Larry S. Swanson**, 4924 Stauffer Ave., SE., Grand Rapids, Mich. 49508-5147; **Lawrence J. Burns**, 1556 Pontiac Rd., SE., Grand Rapids, Mich. 49506

### OTHER PUBLICATIONS

Graham-Field Catalog, p. 200, Item #90-3546A ©1993.

[\*\*] Term: **14 Years**

*Primary Examiner*—Louis S. Zarfes  
*Assistant Examiner*—I. Simmons  
*Attorney, Agent, or Firm*—Brooks & Kushman

[21] Appl. No.: **9,703**

[22] Filed: **Jun. 18, 1993**

### [57] CLAIM

[52] U.S. Cl. .... **D24/135**

The ornamental design for a medical speculum, as shown and described.

[58] Field of Search ..... D24/135, 137; 128/3, 128/4, 7

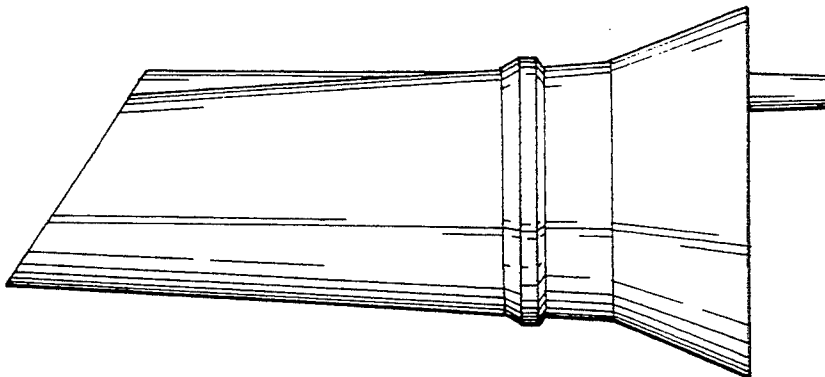
### DESCRIPTION

### [56] References Cited

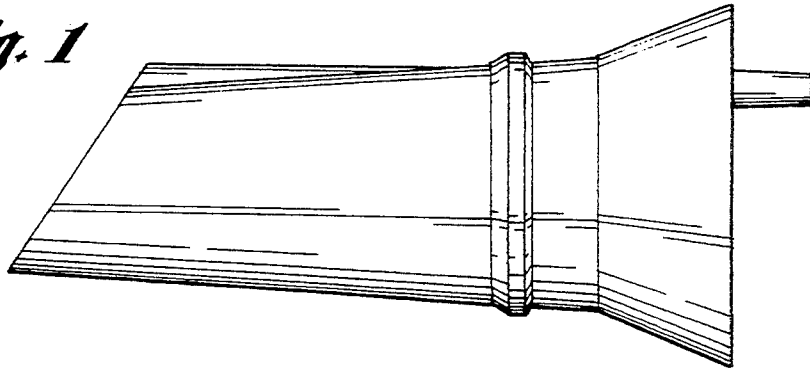
#### U.S. PATENT DOCUMENTS

D. 208,838 10/1967 St. Amand ..... D24/112  
D. 303,008 8/1989 O'Hara et al. .... D24/135  
D. 333,702 3/1993 Huffman ..... D24/135  
3,132,645 5/1964 Gasper ..... 128/3  
4,206,750 6/1980 Kaivola .

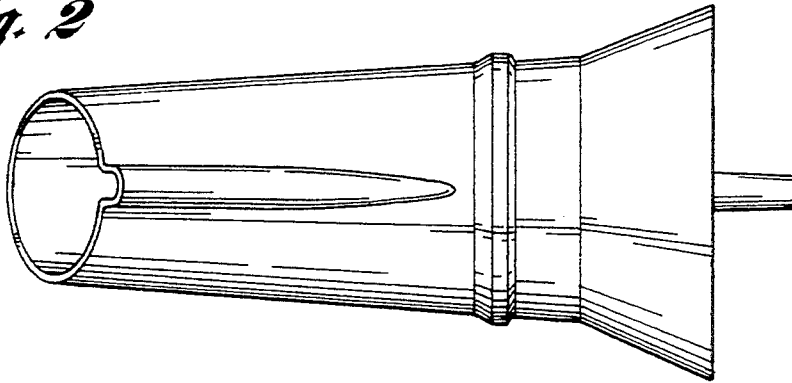
FIG. 1 is a side elevational view of a medical speculum showing our new design the opposite side elevational view being a mirror image thereto;  
FIG. 2 is a top plan view thereof;  
FIG. 3 is a bottom plan view thereof;  
FIG. 4 is a front elevational view thereof; and,  
FIG. 5 is a back elevational view thereof.



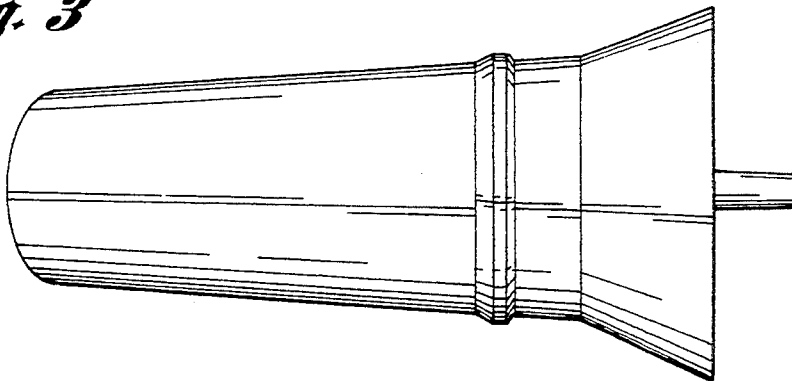
*Fig. 1*



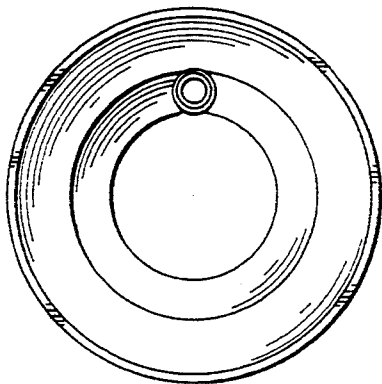
*Fig. 2*



*Fig. 3*



*Fig. 4*



*Fig. 5*

