

(19) World Intellectual Property
Organization
International Bureau



(43) International Publication Date
2 December 2004 (02.12.2004)

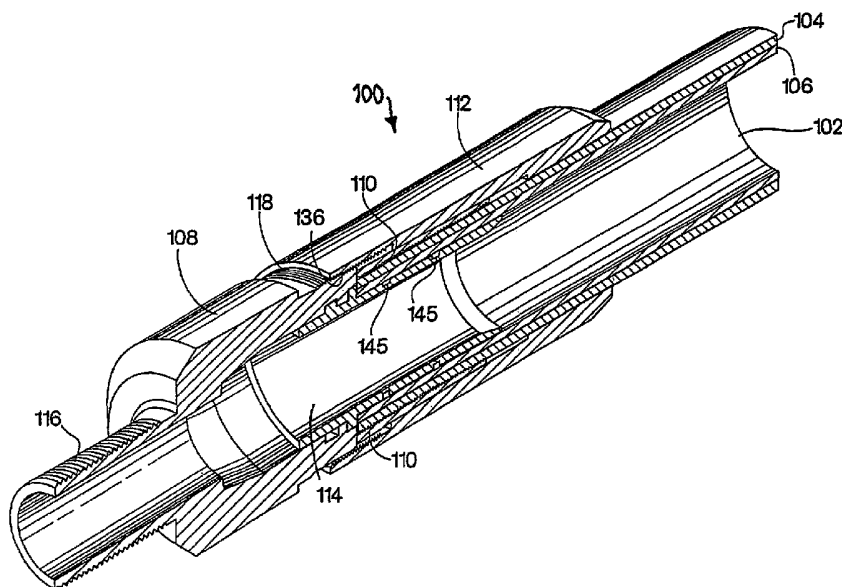
PCT

(10) International Publication Number
WO 2004/104465 A3

- (51) International Patent Classification⁷: H02G 15/24, F16L 33/00
- (74) Agents: OLIVER, Kevin, A. et al.; Foley Hoag LLP, 155 Seaport Boulevard, Boston, MA 02210 (US).
- (21) International Application Number: PCT/US2004/016093
- (81) Designated States (unless otherwise indicated, for every kind of national protection available): AE, AG, AL, AM, AT, AU, AZ, BA, BB, BG, BR, BW, BY, BZ, CA, CH, CN, CO, CR, CU, CZ, DE, DK, DM, DZ, EC, EE, EG, ES, FI, GB, GD, GE, GH, GM, HR, HU, ID, IL, IN, IS, JP, KE, KG, KP, KR, KZ, LC, LK, LR, LS, LT, LU, LV, MA, MD, MG, MK, MN, MW, MX, MZ, NA, NI, NO, NZ, OM, PG, PH, PL, PT, RO, RU, SC, SD, SE, SG, SK, SL, SY, TJ, TM, TN, TR, TT, TZ, UA, UG, US, UZ, VC, VN, YU, ZA, ZM, ZW.
- (22) International Filing Date: 21 May 2004 (21.05.2004)
- (25) Filing Language: English
- (26) Publication Language: English
- (30) Priority Data: 10/442,680 21 May 2003 (21.05.2003) US
- (71) Applicant (for all designated States except US): FIBERSPAR CORPORATION [US/US]; 800 Purchase Street #502, New Bedford, MA 02740-6355 (US).
- (84) Designated States (unless otherwise indicated, for every kind of regional protection available): ARIPO (BW, GH, GM, KE, LS, MW, MZ, NA, SD, SL, SZ, TZ, UG, ZM, ZW), Eurasian (AM, AZ, BY, KG, KZ, MD, RU, TJ, TM), European (AT, BE, BG, CH, CY, CZ, DE, DK, EE, ES, FI, FR, GB, GR, HU, IE, IT, LU, MC, NL, PL, PT, RO, SE, SI, SK, TR), OAPI (BF, BJ, CF, CG, CI, CM, GA, GN, GQ, GW, ML, MR, NE, SN, TD, TG).
- (72) Inventors; and
- (75) Inventors/Applicants (for US only): BROTZELL, Arthur, D. [CA/CA]; 1329 7A Street, N.W., Calgary, Alberta T2M 3J7 (CA). FOWLER, Stewart, H. [US/US]; 6039 Oak Creek Lane, Spring, TX 77379 (US). THO, Chanthol [US/US]; 15 Park Avenue, Attleboro, MA 02703 (US).
- Published:
— with international search report

[Continued on next page]

(54) Title: COMPOSITE COILED TUBING END CONNECTOR



(57) Abstract: Connectors (100) for attaching a composite pipe (102) to a service member are described herein. In one embodiment, a connector can include a service end (108), a slip nut (112), a slip (110), a seal carrier (114), and an energy conductor (2170). The slip can be disposed about the outer surface of the pipe and can be engaged by the service end and the slip nut to compress the slip into gripping contact with the pipe. The seal carrier can be positioned in a bore of the pipe at a location radially opposite the slip to resist deformation of the pipe when the slip is compressed into gripping contact with the pipe. The energy conductor can be embedded within and surrounded by a material of the service end for connection with an energy conductor within the composite pipe.

WO 2004/104465 A3



— *before the expiration of the time limit for amending the claims and to be republished in the event of receipt of amendments*

For two-letter codes and other abbreviations, refer to the "Guidance Notes on Codes and Abbreviations" appearing at the beginning of each regular issue of the PCT Gazette.

(88) Date of publication of the international search report:
29 December 2005

INTERNATIONAL SEARCH REPORT

International application No.

PCT/US04/16093

A. CLASSIFICATION OF SUBJECT MATTER

IPC(7) : H02G 15/24; F16L 33/00
 US CL : 174/21R; 285/249

According to International Patent Classification (IPC) or to both national classification and IPC

B. FIELDS SEARCHED

Minimum documentation searched (classification system followed by classification symbols)
 U.S. : 174/21R; 285/249, 323

Documentation searched other than minimum documentation to the extent that such documents are included in the fields searched

Electronic data base consulted during the international search (name of data base and, where practicable, search terms used)

C. DOCUMENTS CONSIDERED TO BE RELEVANT

Category *	Citation of document, with indication, where appropriate, of the relevant passages	Relevant to claim No.
Y	US 5,558,375 A (NEWMAN) 24 September 1996, Figures 1-2	1, 3-23, 25-28, and 30-32
---		-----
Y	US 3,696,332 A (DICKSON, Jr. et al.) 3 October 1972, Figure 1	1-32
Y	US 4,303,263 A (LEGRIS) 1 December 1981, Figure 14	1,2,23,24,28, and 29

Further documents are listed in the continuation of Box C. See patent family annex.

* Special categories of cited documents:		"T"	later document published after the international filing date or priority date and not in conflict with the application but cited to understand the principle or theory underlying the invention
"A"	document defining the general state of the art which is not considered to be of particular relevance	"X"	document of particular relevance; the claimed invention cannot be considered novel or cannot be considered to involve an inventive step when the document is taken alone
"E"	earlier application or patent published on or after the international filing date	"Y"	document of particular relevance; the claimed invention cannot be considered to involve an inventive step when the document is combined with one or more other such documents, such combination being obvious to a person skilled in the art
"L"	document which may throw doubts on priority claim(s) or which is cited to establish the publication date of another citation or other special reason (as specified)	"&"	document member of the same patent family
"O"	document referring to an oral disclosure, use, exhibition or other means		
"P"	document published prior to the international filing date but later than the priority date claimed		

Date of the actual completion of the international search 05 October 2005 (05.10.2005)	Date of mailing of the international search report 08 NOV 2005
Name and mailing address of the ISA/US Mail Stop PCT, Attn: ISA/US Commissioner for Patents P.O. Box 1450 Alexandria, Virginia 22313-1450 Facsimile No. (703) 305-3230	Authorized officer <i>Richard Reichard</i> Dean Reichard Telephone No. (703) 308-0956