



US0D1047331S

(12) **United States Design Patent** (10) **Patent No.:** **US D1,047,331 S**
Fedrigon et al. (45) **Date of Patent:** **** Oct. 15, 2024**

(54) **CLEANING TOOL**

Ganganmax-Cleaning-Household-Laundry-Underwear/dp/B0BZDSYD3S (Year: 2021).*

(71) Applicant: **TECHTRONIC CORDLESS GP,**
Anderson, SC (US)

(Continued)

(72) Inventors: **Jeremy Fedrigon,** Greenville, SC (US);
Raquel M. Rabago, Anderson, SC (US);
Olivia Schardein, Mason, OH (US)

Primary Examiner — Khawaja Anwar

Assistant Examiner — Taylor O Mortorff

(74) *Attorney, Agent, or Firm* — Michael Best & Friedrich LLP

(73) Assignee: **Techtronic Cordless GP,** Anderson, SC (US)

(57) **CLAIM**

The ornamental design for a cleaning tool, as shown and described.

(**) Term: **15 Years**

(21) Appl. No.: **29/844,554**

(22) Filed: **Jun. 29, 2022**

(51) **LOC (14) Cl.** **07-05**

(52) **U.S. Cl.**
USPC **D32/35**

(58) **Field of Classification Search**

USPC D4/119, 138; D8/300, 307, 310, 322;
D32/35, 40, 46

CPC A46B 5/0095; A46B 5/02; A46B 5/021;
B08B 1/00; B08B 1/002; B08B 1/005;
A47L 13/00; A47L 13/10

See application file for complete search history.

(56) **References Cited**

U.S. PATENT DOCUMENTS

6,079,500 A * 6/2000 Kenney A01L 11/00
15/236.08
D466,259 S * 11/2002 Wang D32/35
D485,402 S * 1/2004 Cotton D32/35
D522,202 S * 5/2006 Huang D32/52
D545,014 S * 6/2007 Santiago D32/35

(Continued)

OTHER PUBLICATIONS

Cleaning Brush, posted May 10, 2021 [online], [retrieved Oct. 11, 2023]. Retrieved from internet, <https://www.amazon.com/>

DESCRIPTION

FIG. 1 is an upper perspective view of a cleaning tool in accordance with an embodiment of the present invention. FIG. 2 is a lower perspective view of the cleaning tool of FIG. 1.

FIG. 3 is a front view of the cleaning tool of FIG. 1.

FIG. 4 is a rear view of the cleaning tool of FIG. 1.

FIG. 5 is a left-side view of the cleaning tool of FIG. 1.

FIG. 6 is a right-side view of the cleaning tool of FIG. 1.

FIG. 7 is a top view of a cleaning tool of FIG. 1.

FIG. 8 is a bottom view of the cleaning tool of FIG. 1.

FIG. 9 is an upper perspective view of a cleaning tool in accordance with another embodiment of the present invention.

FIG. 10 is a lower perspective view of the cleaning tool of FIG. 9.

FIG. 11 is a front view of the cleaning tool of FIG. 9.

FIG. 12 is a rear view of the cleaning tool of FIG. 9.

FIG. 13 is a left-side view of the cleaning tool of FIG. 9.

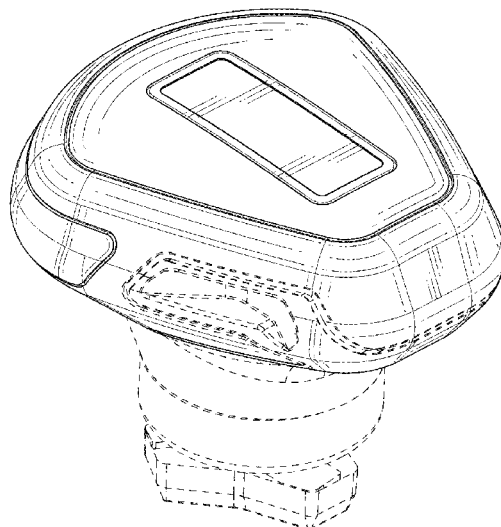
FIG. 14 is a right-side view of the cleaning tool of FIG. 9.

FIG. 15 is a top view of a cleaning tool of FIG. 9; and,

FIG. 16 is a bottom view of the cleaning tool of FIG. 9.

The portions of the cleaning tool shown in broken lines are included for the purpose of illustrating environment and form no part of the claimed design.

1 Claim, 16 Drawing Sheets



(56)

References Cited

U.S. PATENT DOCUMENTS

D556,408 S * 11/2007 Lang D32/52
 D578,262 S * 10/2008 Trotter D32/52
 D638,181 S * 5/2011 Crevling, Jr. D32/31
 D681,898 S * 5/2013 Wu D32/35
 D719,591 S * 12/2014 Kurusu D15/138
 D746,468 S * 12/2015 Meadows D24/106
 D759,921 S * 6/2016 Shields D32/32
 D787,044 S * 5/2017 Groeneveld D24/106
 D808,602 S * 1/2018 Stuart D32/35
 D813,549 S * 3/2018 Dhillon D4/100
 D814,729 S * 4/2018 Gooden D32/52
 D841,264 S * 2/2019 Horito D32/17
 D842,570 S * 3/2019 Meier D32/40
 D844,919 S * 4/2019 Renner D32/45

D844,920 S * 4/2019 Renner D32/45
 D854,269 S * 7/2019 Meier D32/45
 D922,017 S * 6/2021 Chaffee D32/40
 D955,074 S * 6/2022 Allen D32/45
 2010/0125961 A1* 5/2010 Tuman A47L 13/00
 15/160
 2019/0223707 A1* 7/2019 Fujiwara A61B 1/122
 2020/0093345 A1* 3/2020 Clas A47L 11/4044
 2020/0391252 A1* 12/2020 Crowell B08B 1/04

OTHER PUBLICATIONS

Kitchen Scrub, posted Nov. 20, 2019 [online], [retrieved Oct. 11, 2023]. Retrieved from internet, <https://www.amazon.com/ANVIX-Dispensing-Kitchen-Scrubber-Bristles/dp/B081S81PD7> (Year: 2019).*

* cited by examiner

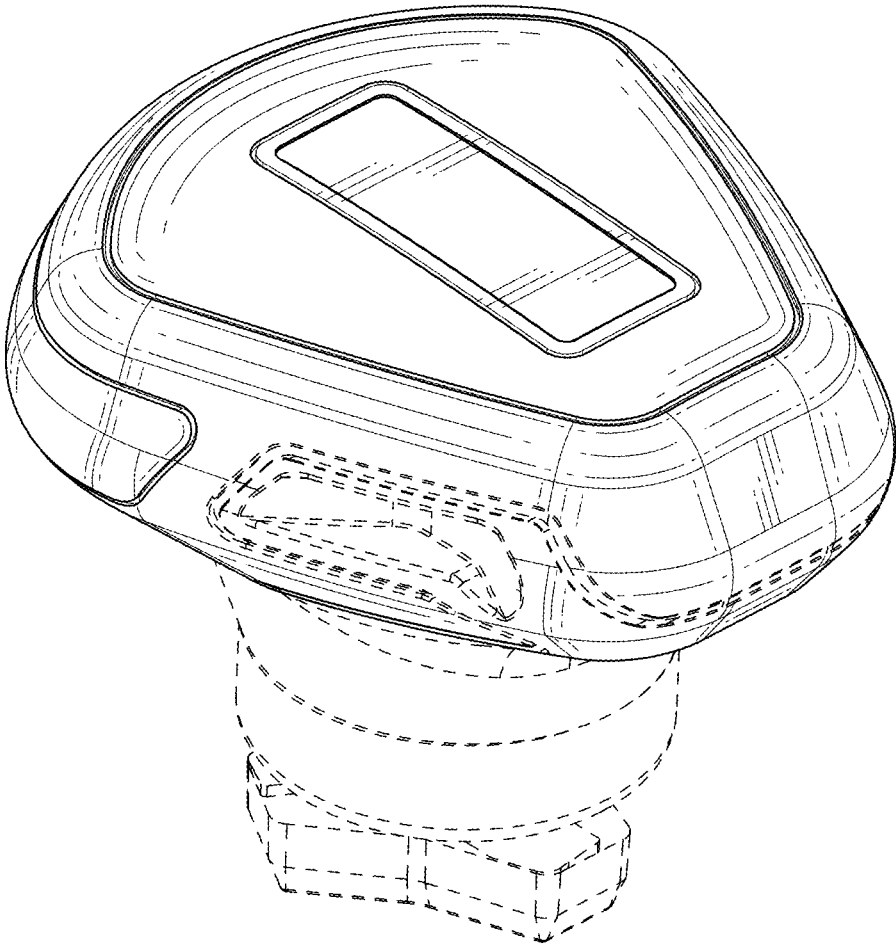


FIG. 1

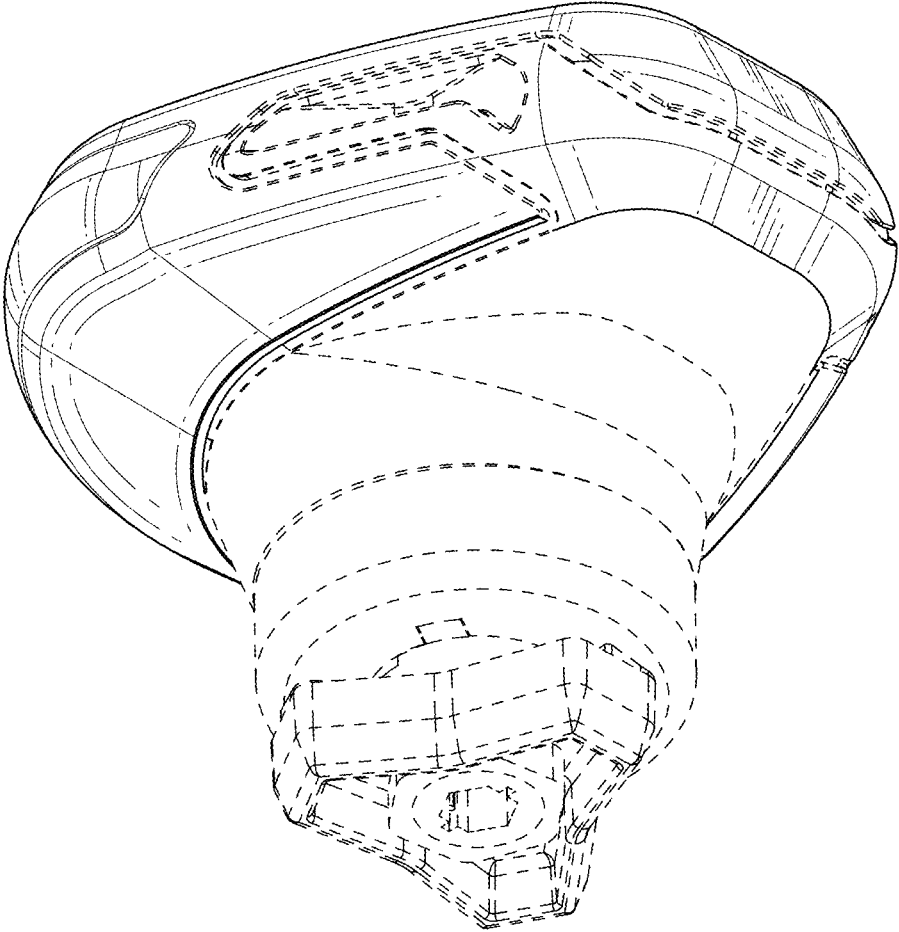


FIG. 2

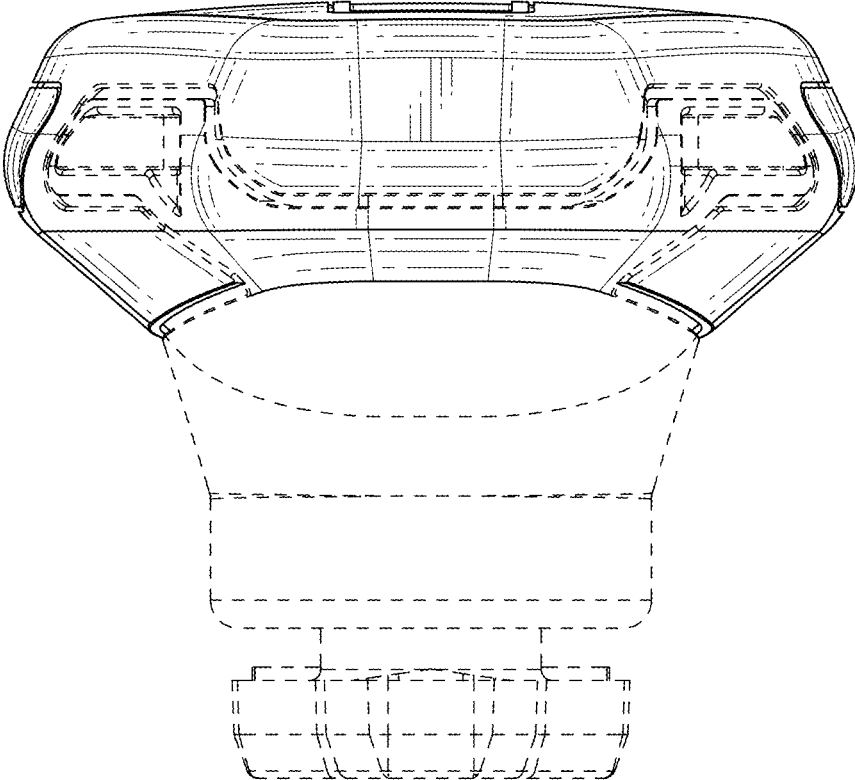


FIG. 3

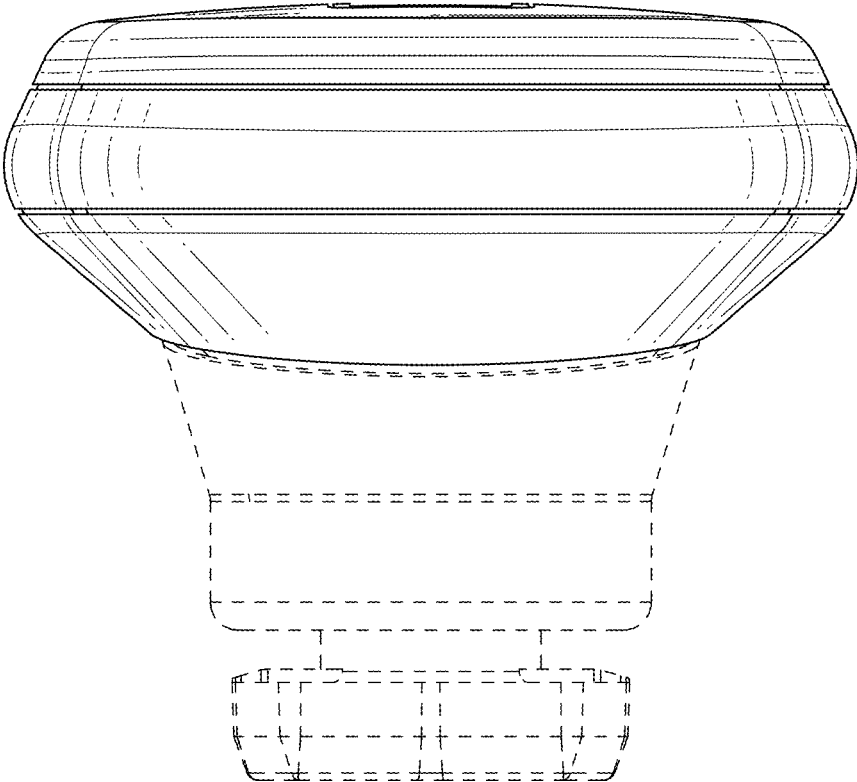


FIG. 4

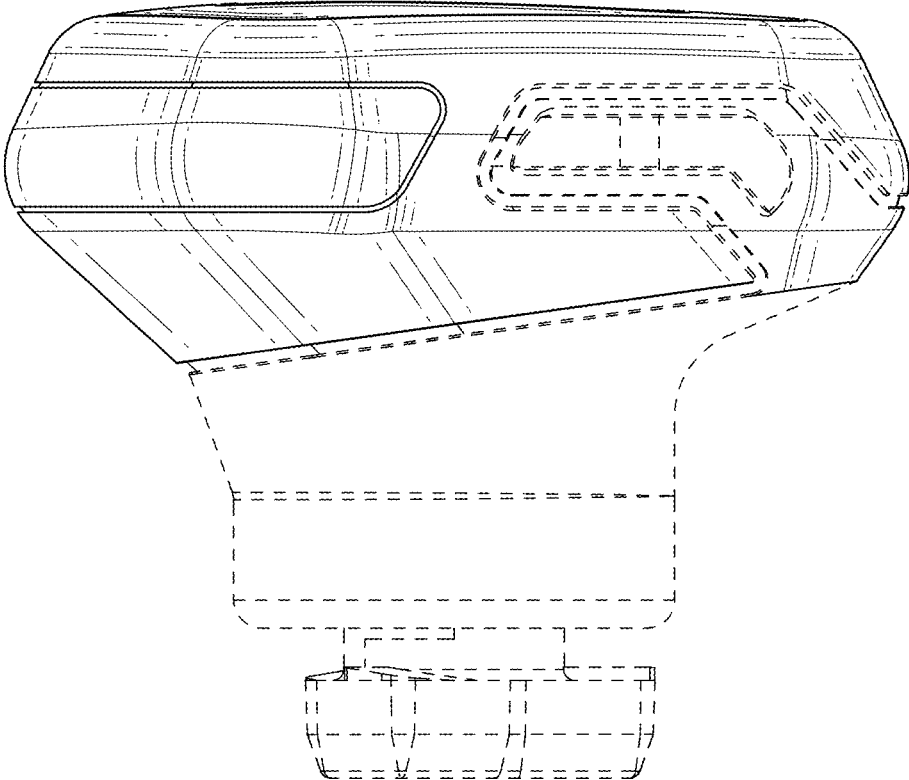


FIG. 5

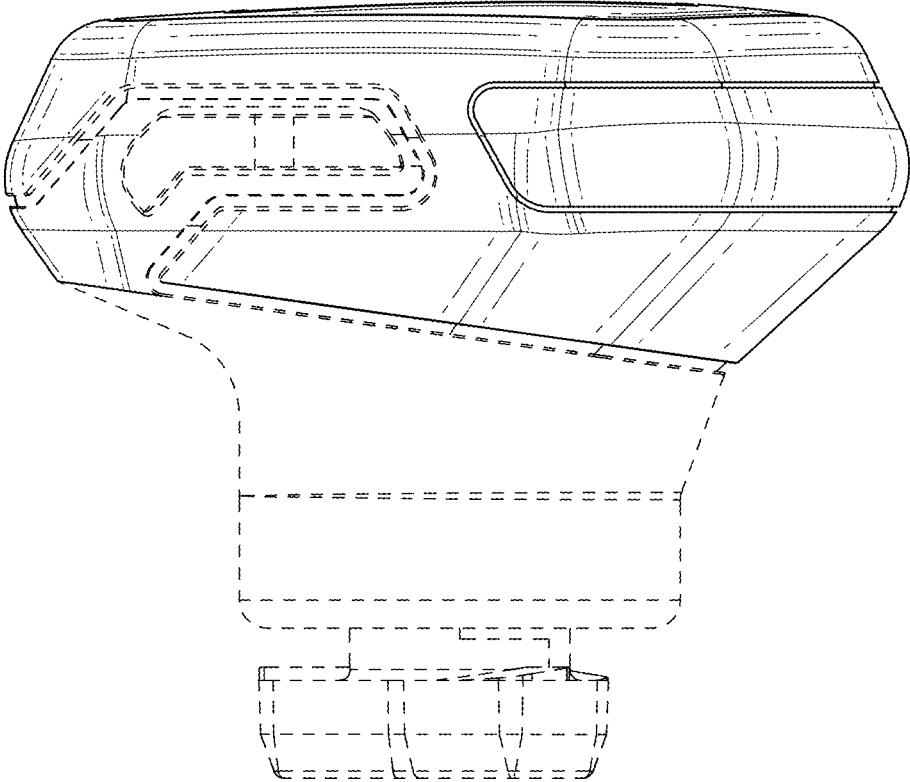


FIG. 6

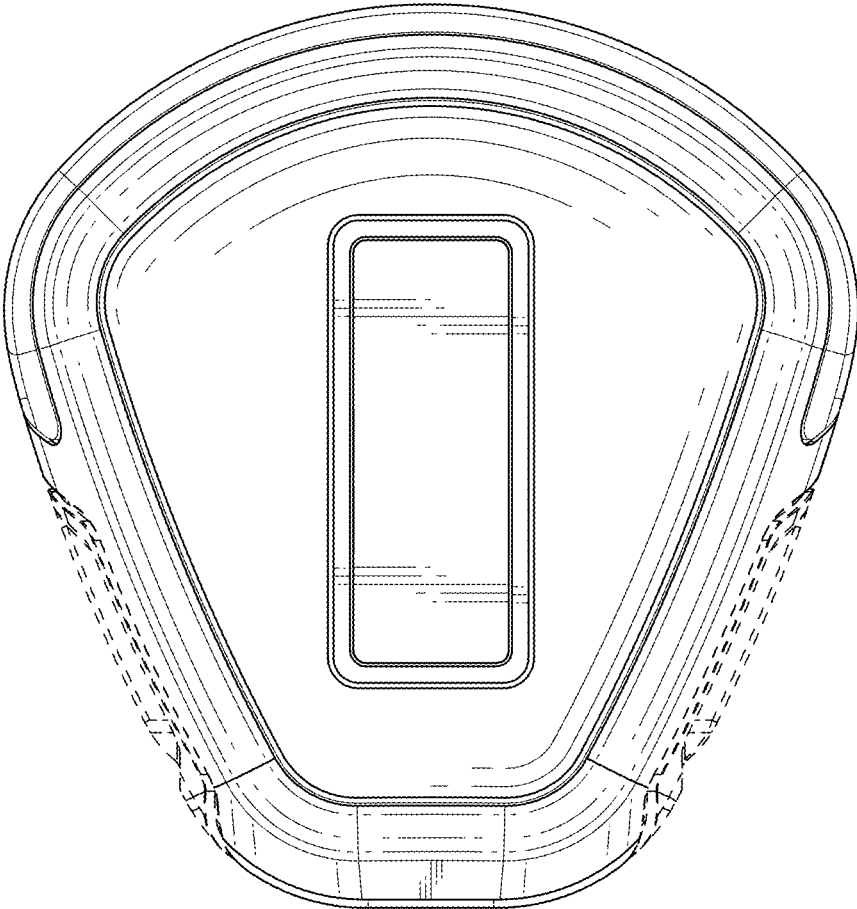


FIG. 7

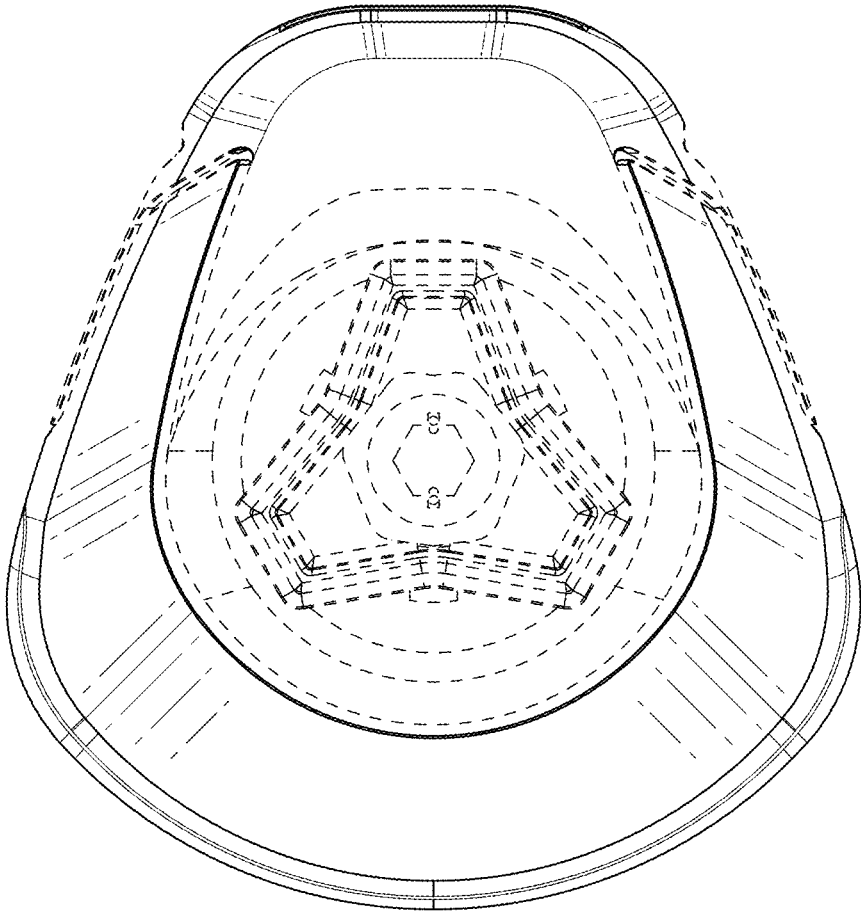


FIG. 8

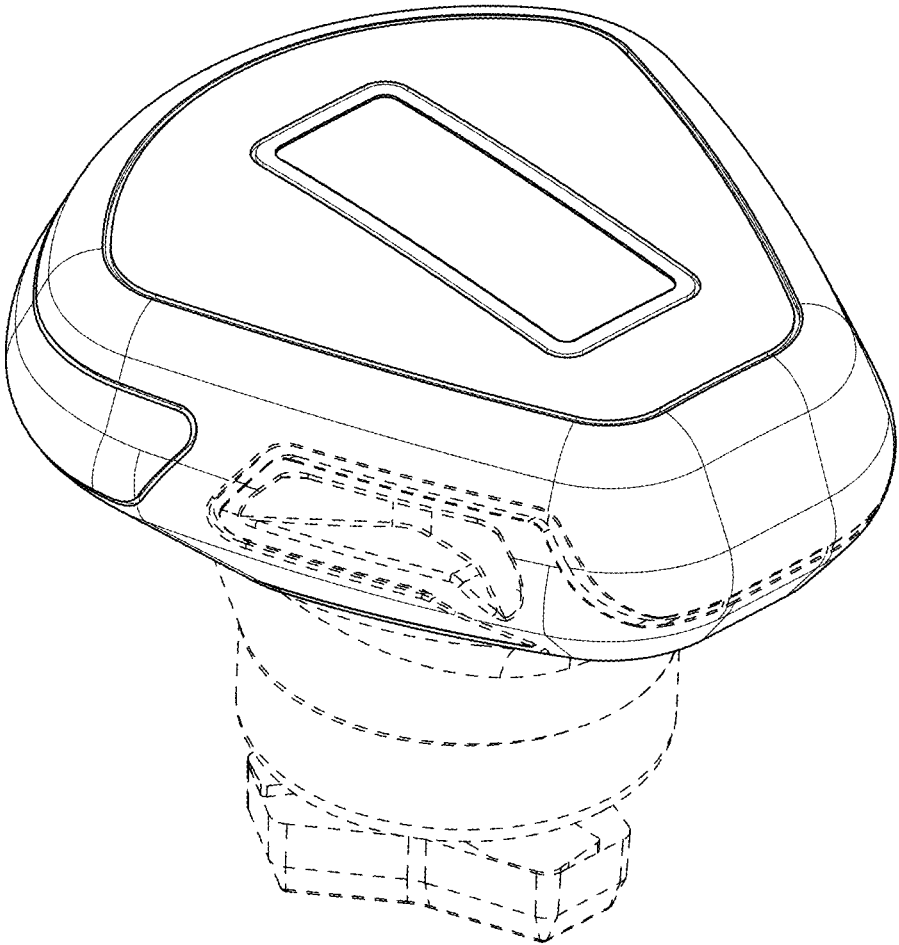


FIG. 9

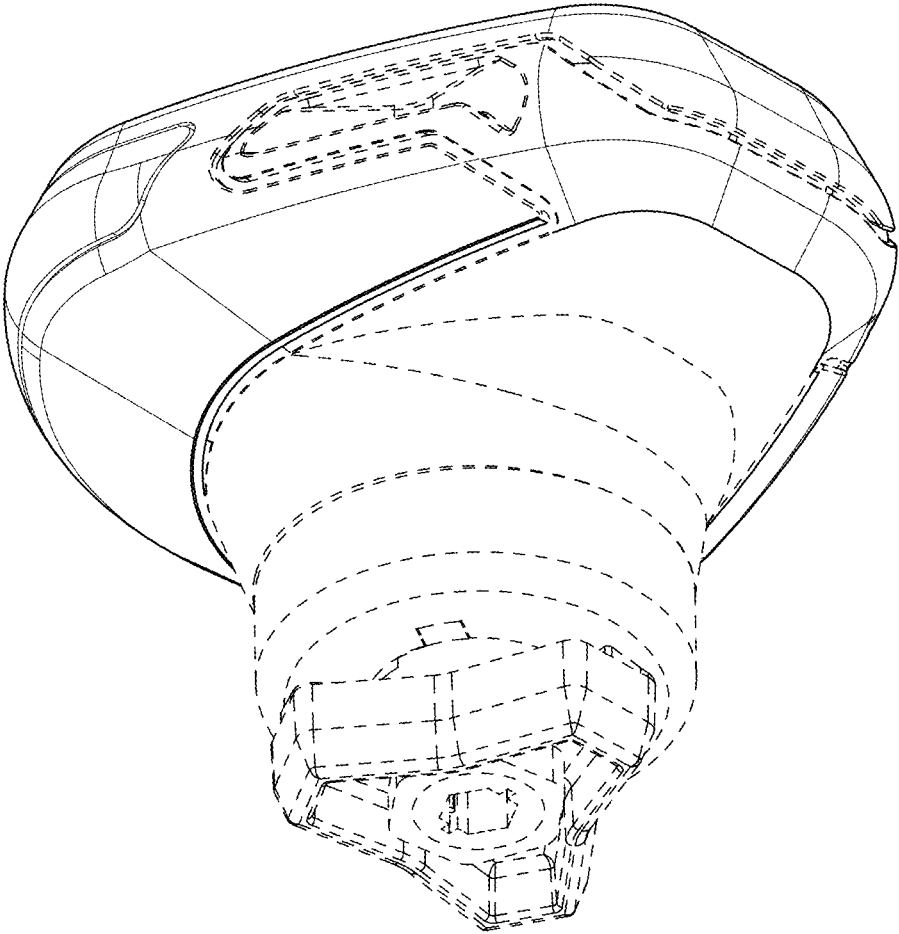


FIG. 10

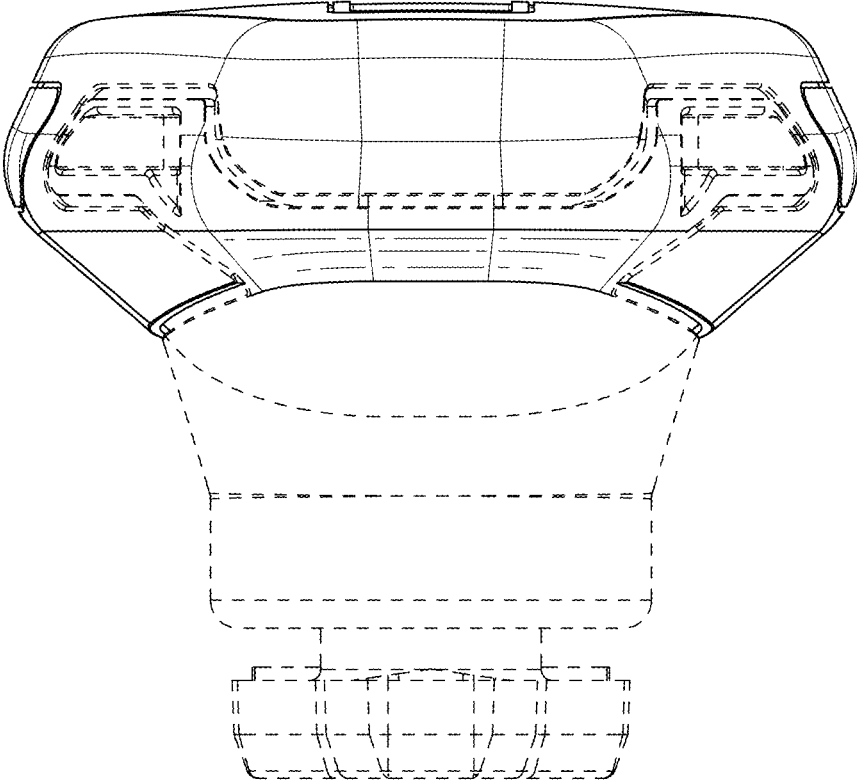


FIG. 11

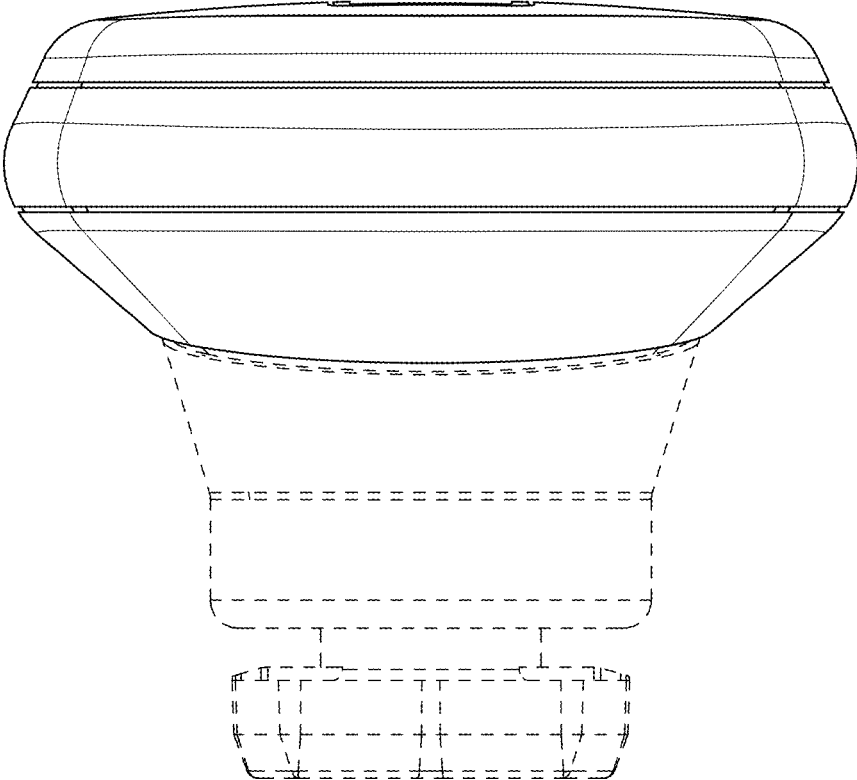


FIG. 12

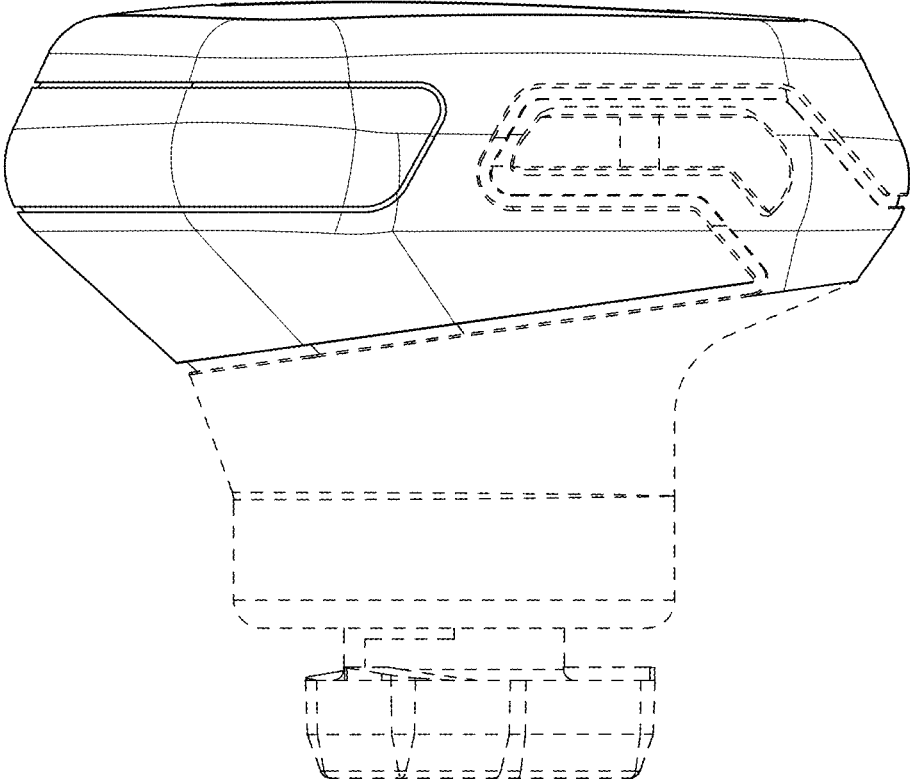


FIG. 13

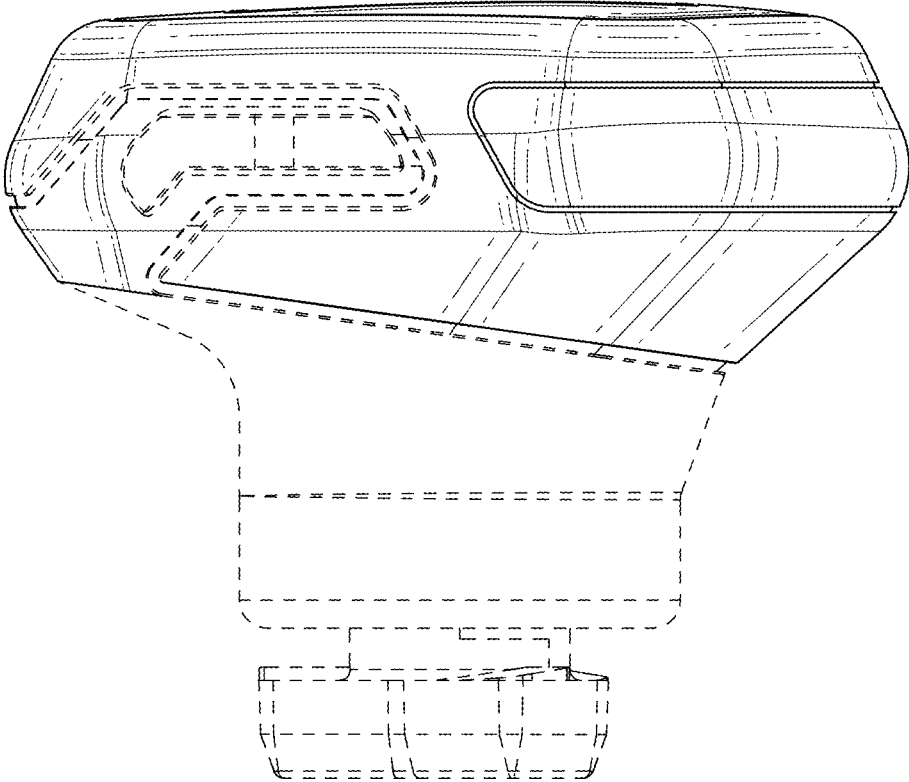


FIG. 14

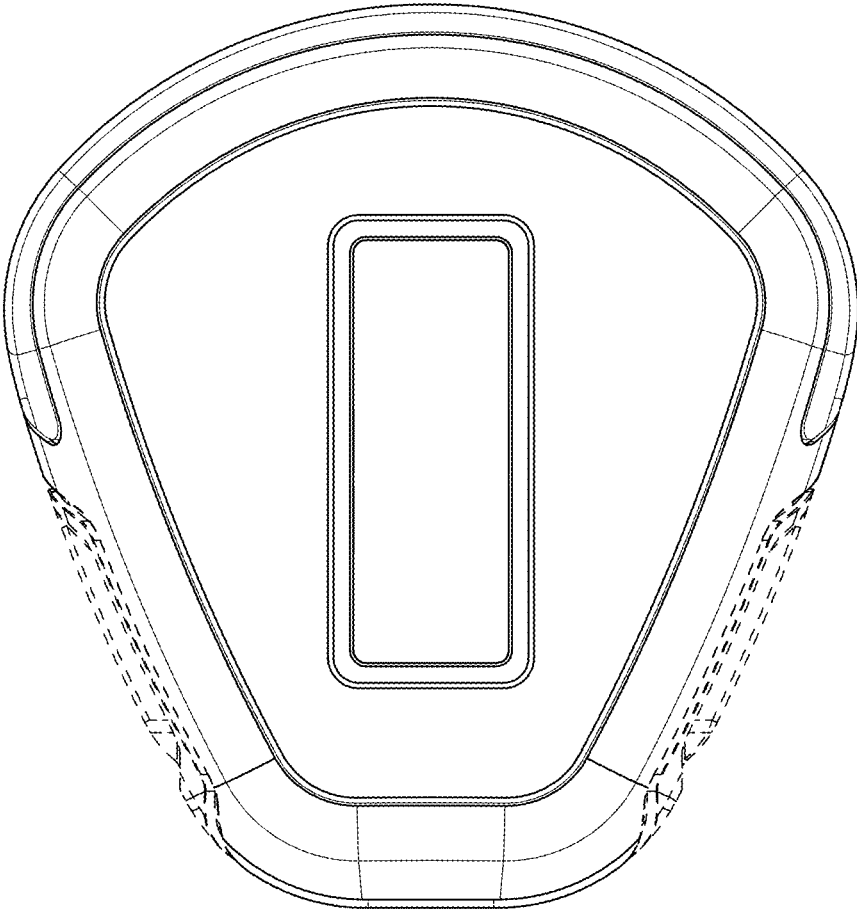


FIG. 15

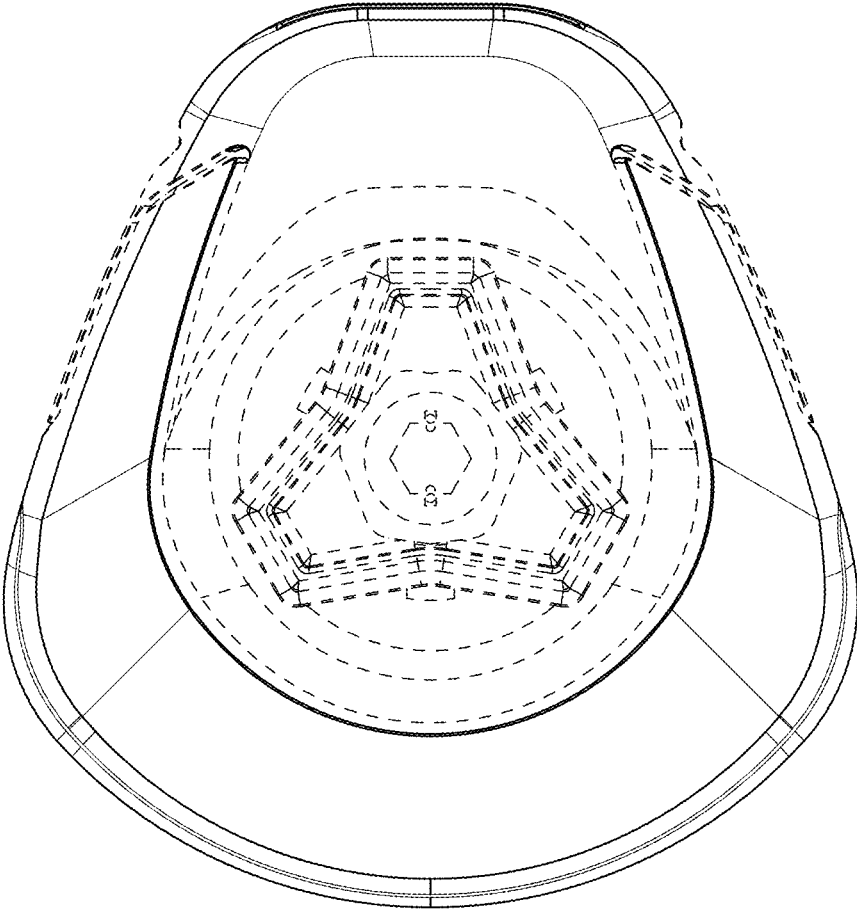


FIG. 16