

(19) World Intellectual Property Organization  
International Bureau



(43) International Publication Date  
22 November 2001 (22.11.2001)

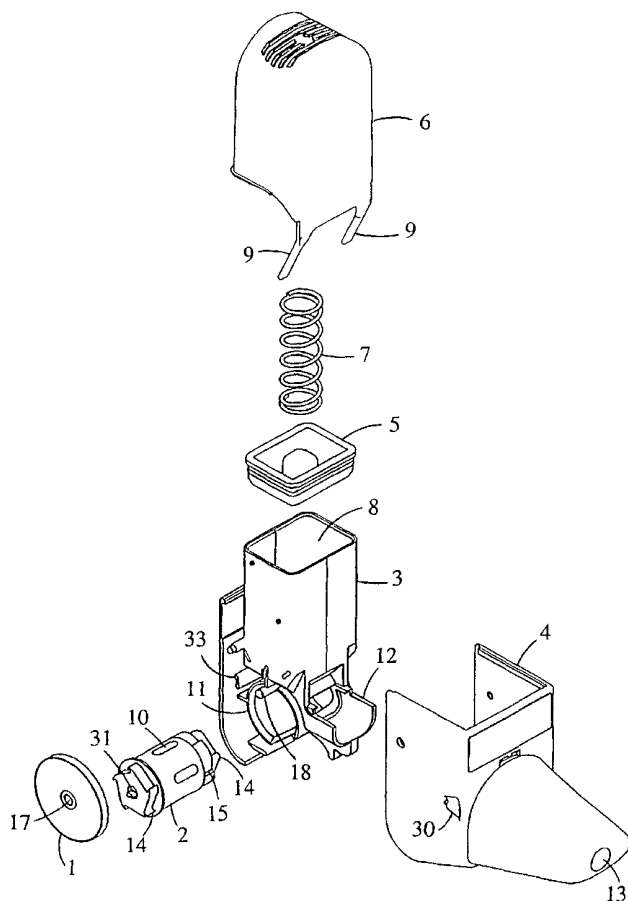
PCT

(10) International Publication Number  
**WO 01/87391 A3**

- (51) International Patent Classification<sup>7</sup>: A61M 15/00, G06M 1/04, 1/16
- (21) International Application Number: PCT/FI01/00479
- (22) International Filing Date: 16 May 2001 (16.05.2001)
- (25) Filing Language: English
- (26) Publication Language: English
- (30) Priority Data: 0011739.0 17 May 2000 (17.05.2000) GB
- (71) Applicant (for all designated States except US): **ORION CORPORATION** [FI/FI]; Orionintie 1, FIN-02200 Espoo (FI).
- (72) Inventors; and  
(75) Inventors/Applicants (for US only): **HAIKARAINEN, Jussi** [FI/FI]; Isokaari 10 B 33, FIN-00200 Helsinki (FI). **SEPPÄLÄ, Kari** [FI/FI]; Heinäsuontie 30 A, FIN-00430 Helsinki (FI). **MUNUKKA, Jarkko** [FI/FI]; Eetinkuja 3 M 53, FIN-02360 Espoo (FI). **MUTTONEN, Esa** [FI/FI]; Meteorinkatu 4 B 34, FIN-02210 Espoo (FI). **STARES, Elizabeth** [GB/GB]; Team Consulting Ltd., Barkway, Cokenach, Hertfordshire SG8 8DL (GB). **MURPHY, Martin** [GB/GB]; Team Consulting Ltd., Barkway, Cokenach, Hertfordshire SG8 8DL (GB). **YOUNG, Matthew** [GB/GB]; Team Consulting Ltd., Barkway, Cokenach, Hertfordshire SG8 8DL (GB).
- (74) Agent: **ORION CORPORATION**; Orion Pharma, Industrial Property Rights, P.O. Box 65, FIN-02101 Espoo (FI).
- (81) Designated States (national): AE, AG, AL, AM, AT, AU, AZ, BA, BB, BG, BR, BY, BZ, CA, CH, CN, CO, CR, CU,

[Continued on next page]

(54) Title: INHALER WITH A DOSE COUNTER



(57) Abstract: A multiple-dose powder inhaler is disclosed comprising an inhaler body defining a medicament container, an air channel, a mouthpiece, a rotatable metering drum with one or more peripheral dosing recesses and a dose counter for indicating the number of metered doses of medicament that have been dispensed from, or remain in, the medicament container. The inhaler is useful e.g. in the treatment of asthma.

WO 01/87391 A3





CZ, DE, DK, DM, DZ, EC, EE, ES, FI, GB, GD, GE, GH, GM, HR, HU, ID, IL, IN, IS, JP, KE, KG, KP, KR, KZ, LC, LK, LR, LS, LT, LU, LV, MA, MD, MG, MK, MN, MW, MX, MZ, NO, NZ, PL, PT, RO, RU, SD, SE, SG, SI, SK, SL, TJ, TM, TR, TT, TZ, UA, UG, US, UZ, VN, YU, ZA, ZW.

IT, LU, MC, NL, PT, SE, TR). OAPI patent (BF, BJ, CF, CG, CI, CM, GA, GN, GW, ML, MR, NE, SN, TD, TG).

**Published:**

— with international search report

**(88) Date of publication of the international search report:**

14 March 2002

**(84) Designated States (regional):** ARIPO patent (GH, GM, KE, LS, MW, MZ, SD, SL, SZ, TZ, UG, ZW), Eurasian patent (AM, AZ, BY, KG, KZ, MD, RU, TJ, TM), European patent (AT, BE, CH, CY, DE, DK, ES, FI, FR, GB, GR, IE,

*For two-letter codes and other abbreviations, refer to the "Guidance Notes on Codes and Abbreviations" appearing at the beginning of each regular issue of the PCT Gazette.*

## INTERNATIONAL SEARCH REPORT

International application No.

PCT/FI 01/00479

| A. CLASSIFICATION OF SUBJECT MATTER  |  |  |
|--|--|--|
| IPC7: A61M 15/00, G06M 1/04, G06M 1/16<br>According to International Patent Classification (IPC) or to both national classification and IPC  |  |  |
| B. FIELDS SEARCHED   |  |  |
| Minimum documentation searched (classification system followed by classification symbols)  |  |  |
| IPC7: A61M, G06M   |  |  |
| Documentation searched other than minimum documentation to the extent that such documents are included in the fields searched  |  |  |
| Electronic data base consulted during the international search (name of data base and, where practicable, search terms used)   |  |  |
| C. DOCUMENTS CONSIDERED TO BE RELEVANT   |  |  |
| Category*  | Citation of document, with indication, where appropriate, of the relevant passages                       | Relevant to claim No.  |
| X  | WO 0137909 A1 (ERNST HÖRLINS INGENJÖRSBYRÅ AB),<br>31 May 2001 (31.05.01), figures 1-8, claims 1-7<br>-- | 1-2,5-11,13  |
| X  | WO 9730743 A2 (SCHERING CORPORATION),<br>28 August 1997 (28.08.97), figures 1-90, claims 1-37<br>--      | 1-2  |
| X  | WO 9534874 A1 (VALOIS S A), 21 December 1995<br>(21.12.95), figures 1-9, claims 1-23<br>--               | 1-2  |
| <input checked="" type="checkbox"/> Further documents are listed in the continuation of Box C. <input checked="" type="checkbox"/> See patent family annex.  |  |  |
| * Special categories of cited documents:<br>"A" document defining the general state of the art which is not considered to be of particular relevance<br>"E" earlier application or patent but published on or after the international filing date<br>"L" document which may throw doubts on priority claim(s) or which is cited to establish the publication date of another citation or other special reason (as specified)<br>"O" document referring to an oral disclosure, use, exhibition or other means<br>"P" document published prior to the international filing date but later than the priority date claimed |  | "T" later document published after the international filing date or priority date and not in conflict with the application but cited to understand the principle or theory underlying the invention<br>"X" document of particular relevance: the claimed invention cannot be considered novel or cannot be considered to involve an inventive step when the document is taken alone<br>"Y" document of particular relevance: the claimed invention cannot be considered to involve an inventive step when the document is combined with one or more other such documents, such combination being obvious to a person skilled in the art<br>"&" document member of the same patent family |
| Date of the actual completion of the international search  |  | Date of mailing of the international search report   |
| 3 October 2001   |  | 13 11. 2001  |
| Name and mailing address of the International Searching Authority<br>European Patent Office P.B. 5818 Patentlaan 2<br>NL-2280 HV Rijswijk<br>Tel(+31-70)340-2040, Tx 31 651 epo nl,<br>Fax(+31-70)340-3016   |  | Authorized officer<br><br>Agneta Änggård/EK<br>Telephone No.   |

## INTERNATIONAL SEARCH REPORT

International application No.

PCT/FI 01/00479

C (Continuation). DOCUMENTS CONSIDERED TO BE RELEVANT

| Category* | Citation of document, with indication, where appropriate, of the relevant passages                            | Relevant to claim No. |
|-----------|---|-----------------------|
| X         | WO 9828033 A2 (NORTON HEALTHCARE LTD), 2 July 1998<br>(02.07.98), figures 1-7, claims 1-18<br><br>--<br>----- | 1-2,8,9,10,<br>11,13  |

**INTERNATIONAL SEARCH REPORT**  
Information on patent family members

03/09/01

International application No.

PCT/FI 01/00479

| Patent document cited in search report |         |    | Publication date | Patent family member(s) |            |     | Publication date |
|--|---------|----|------------------|-------------------------|------------|-----|------------------|
| WO                                     | 0137909 | A1 | 31/05/01         | SE                      | 9904278    | A   | 27/05/01         |
| WO                                     | 9730743 | A2 | 28/08/97         | AU                      | 714886     | B   | 13/01/00         |
|  |         |    |                  | AU                      | 1850897    | A   | 10/09/97         |
|  |         |    |                  | CA                      | 2245799    | A   | 28/08/97         |
|  |         |    |                  | CN                      | 1216476    | A   | 12/05/99         |
|  |         |    |                  | CZ                      | 9802599    | A   | 15/09/99         |
|  |         |    |                  | EP                      | 0883415    | A   | 16/12/98         |
|  |         |    |                  | IL                      | 120246     | D   | 00/00/00         |
|  |         |    |                  | JP                      | 2000504955 | T   | 25/04/00         |
|  |         |    |                  | NO                      | 983832     | A   | 20/10/98         |
|  |         |    |                  | PL                      | 328485     | A   | 01/02/99         |
|  |         |    |                  | SK                      | 115498     | A   | 14/02/00         |
| WO                                     | 9534874 | A1 | 21/12/95         | DE                      | 69502103   | D,T | 10/12/98         |
|  |         |    |                  | EP                      | 0764312    | A,B | 26/03/97         |
|  |         |    |                  | FR                      | 2721106    | A,B | 15/12/95         |
|  |         |    |                  | JP                      | 10501357   | T   | 03/02/98         |
|  |         |    |                  | US                      | 5988496    | A   | 23/11/99         |
| WO                                     | 9828033 | A2 | 02/07/98         | AU                      | 5329298    | A   | 17/07/98         |
|  |         |    |                  | EP                      | 0966309    | A   | 29/12/99         |
|  |         |    |                  | GB                      | 2320489    | A   | 24/06/98         |
|  |         |    |                  | GB                      | 9626538    | D   | 00/00/00         |