



US00D658643S

(12) **United States Design Patent**
Fahrendorff et al.

(10) **Patent No.:** **US D658,643 S**
(45) **Date of Patent:** **** May 1, 2012**

- (54) **HANDHELD ELECTRONIC DEVICE SHELL**
- (75) Inventors: **Anders Fahrendorff**, Ottawa (CA); **Ian James Murchison**, Toronto (CA); **Todd Nelson Sinclair**, Waterloo (CA)

D641,012 S *	7/2011	Fahrendorff et al.	D14/250
D644,216 S *	8/2011	Richardson et al.	D14/250
D644,639 S *	9/2011	Weller et al.	D14/250
D648,717 S *	11/2011	Fahrendorff et al.	D14/250
D649,538 S *	11/2011	Magness et al.	D14/250
D650,376 S *	12/2011	Wibby et al.	D14/250
2009/0111543 A1 *	4/2009	Tai et al.	455/575.8

- (73) Assignee: **Research In Motion Limited**, Waterloo, Ontario (CA)

(**) Term: **14 Years**

(21) Appl. No.: **29/394,429**

(22) Filed: **Jun. 16, 2011**

(51) **LOC (9) Cl.** **14-03**

(52) **U.S. Cl.** **D14/250**

(58) **Field of Classification Search** D14/250–253,
D14/440, 203.3–203.7, 217, 496, 248, 238.1;
D3/201, 218, 269, 301, 273, 303; D13/103,
D13/107–108; 220/4.02; 248/309.1; 361/679.56;
379/426, 433.11, 455; 455/575.1, 575.8;
190/100; 206/305, 320

See application file for complete search history.

(56) **References Cited**

U.S. PATENT DOCUMENTS

D597,089 S *	7/2009	Khan et al.	D14/250
D603,389 S *	11/2009	Khan et al.	D14/250
D606,528 S *	12/2009	Khan et al.	D14/250
D606,529 S *	12/2009	Ferrari et al.	D14/250
D609,228 S *	2/2010	Ferrari et al.	D14/250
D617,787 S *	6/2010	Richardson et al.	D14/250
D618,231 S *	6/2010	Fahrendorff et al.	D14/250
D619,573 S *	7/2010	Khan et al.	D14/250
D621,395 S *	8/2010	Richardson et al.	D14/250
D621,821 S *	8/2010	Richardson et al.	D14/250
D624,910 S *	10/2010	Richardson et al.	D14/250
D631,877 S *	2/2011	Rak et al.	D14/250
D638,007 S *	5/2011	Chang	D14/250
D638,410 S *	5/2011	Khan et al.	D14/250

OTHER PUBLICATIONS

OEM BlackBerry Skin Cover BlackBerry Curve 8520 8530/Curve 3G 9300 9330, <URL:http://www.daydeal.com/product.php?%/20productid=35554>, retrieved from internet Dec. 17, 2011.*
Silicon Case for Blackberry Curve 8900 , <URL:http://www.gd-wholesale.com/chinaproduct/mf43d/av3583to1_bv/silicon-case-for-blackberry-curve-8900-ct-blks-8900a-m337271.html>, retrieved from internet Dec. 17, 2011.*

* cited by examiner

Primary Examiner — Carla Wright

(57) **CLAIM**

We claim the ornamental design for a handheld electronic device shell, as shown and described.

DESCRIPTION

FIG. 1 is a back perspective view of a handheld electronic device shell;

FIG. 2 is a back elevational view of the handheld electronic device shell;

FIG. 3 is a front elevational view thereof;

FIG. 4 is a right elevational view thereof;

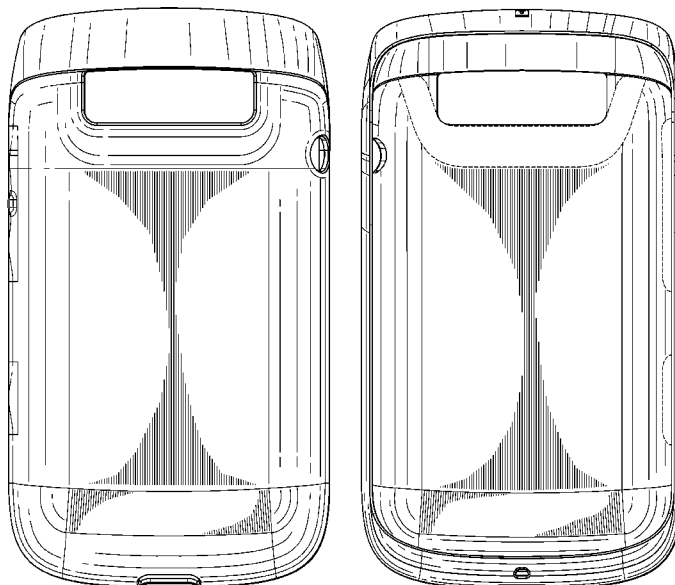
FIG. 5 is a left elevational view thereof;

FIG. 6 is a top plan view thereof; and,

FIG. 7 is a bottom plan view thereof.

The broken lines immediately adjacent the shaded surfaces represent boundaries of the claimed design. All other broken lines depict unclaimed environment. The broken lines form no part of the claimed design.

1 Claim, 5 Drawing Sheets



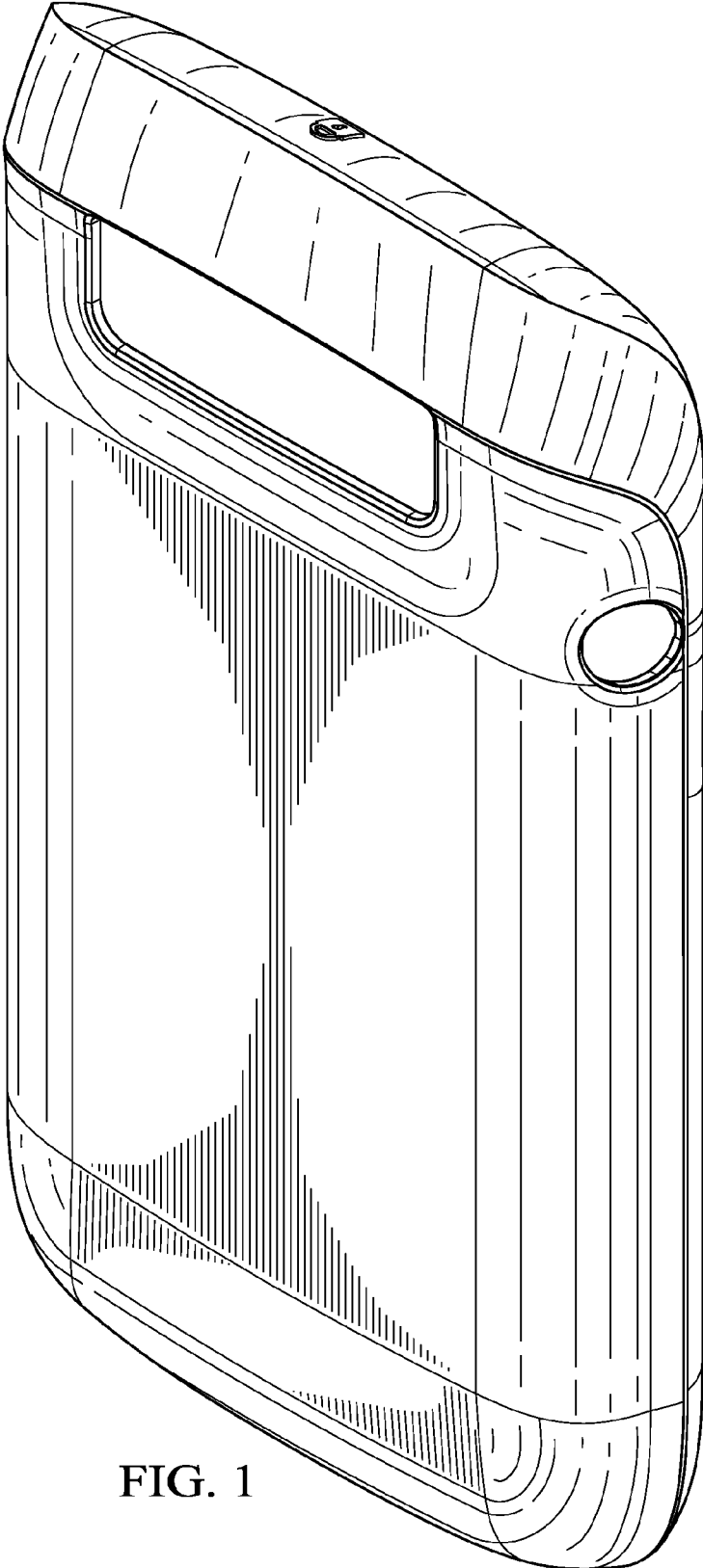


FIG. 1

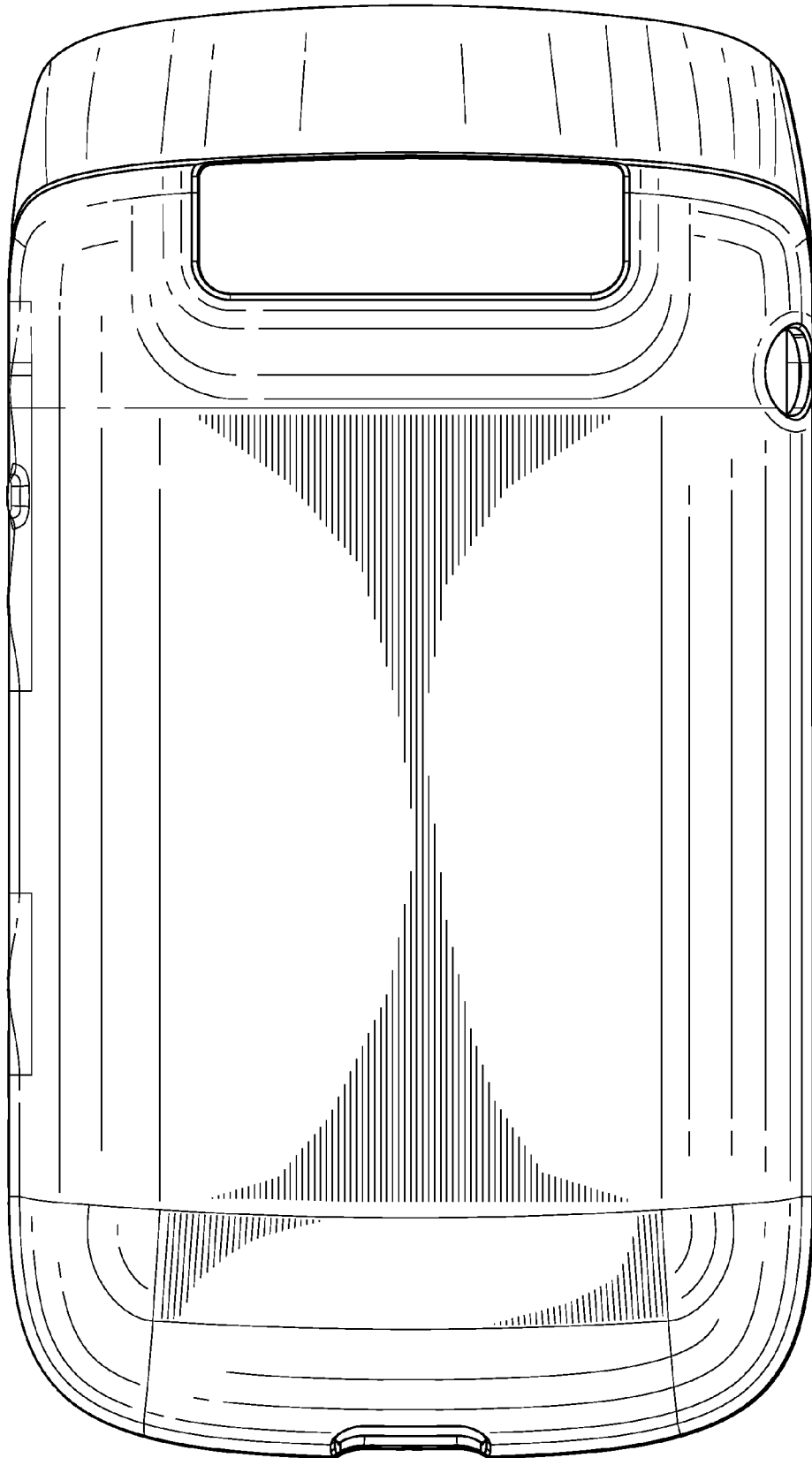


FIG. 2

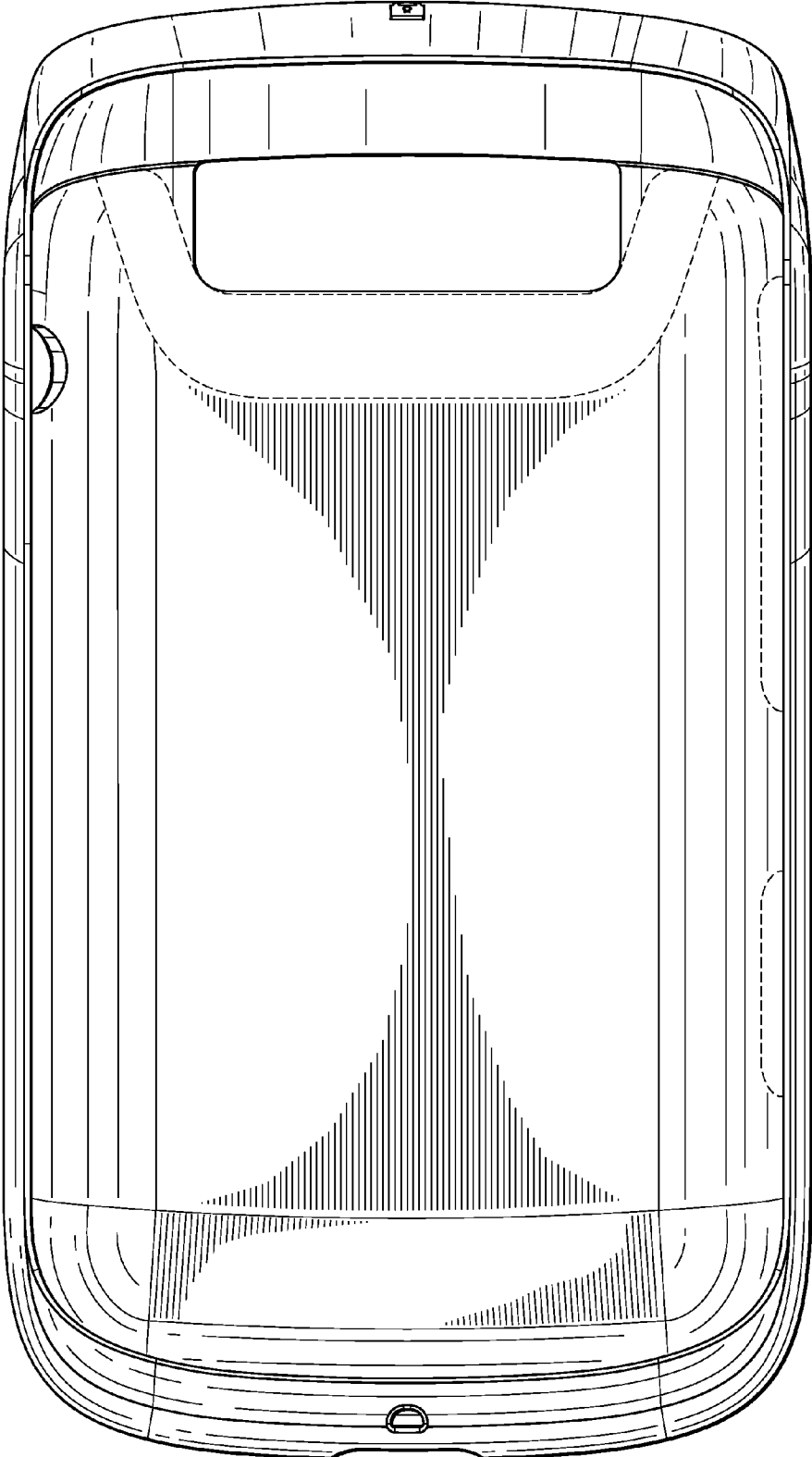


FIG. 3

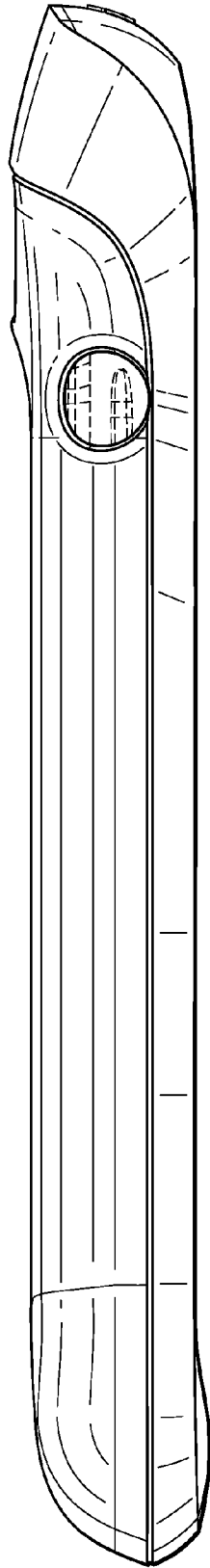


FIG. 4

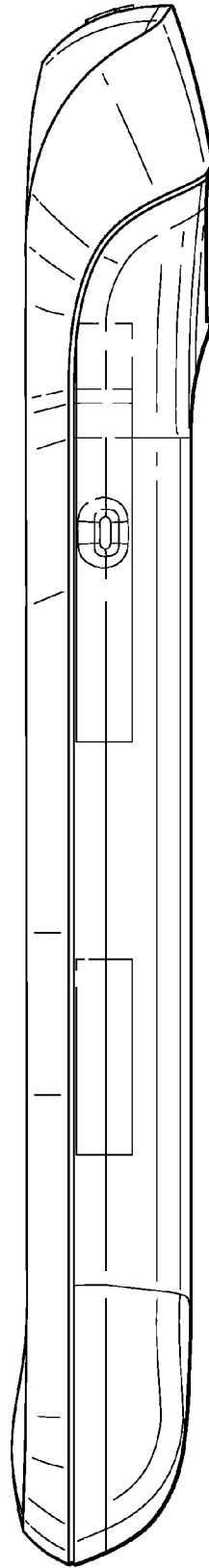


FIG. 5

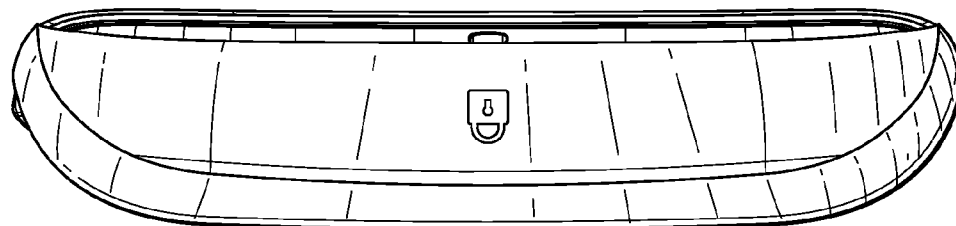


FIG. 6

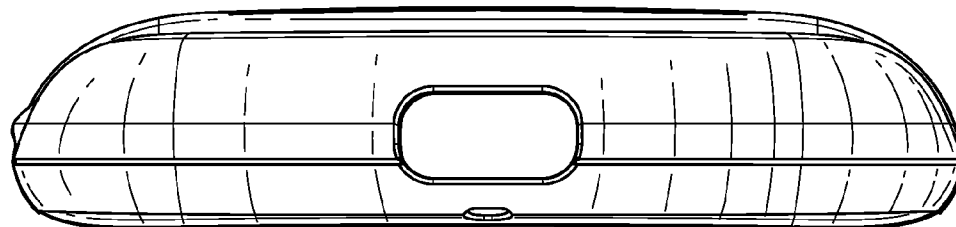


FIG. 7