



US00D805459S

(12) **United States Design Patent**
Choo et al.

(10) **Patent No.:** **US D805,459 S**

(45) **Date of Patent:** **** Dec. 19, 2017**

(54) **BLACK BOX FOR VEHICLE**

(71) Applicant: **LG ELECTRONICS INC.**, Seoul
(KR)

(72) Inventors: **Zhimin Choo**, Seoul (KR); **Sanghyuck Lee**, Seoul (KR); **Hyunjin Yoon**, Seoul (KR)

(73) Assignee: **LG ELECTRONICS INC.**, Seoul
(KR)

(**) Term: **15 Years**

(21) Appl. No.: **29/533,720**

(22) Filed: **Jul. 21, 2015**

(30) **Foreign Application Priority Data**

Jan. 22, 2015 (KR) 30-2015-0003604

(51) **LOC (10) Cl.** **12-16**

(52) **U.S. Cl.**
USPC **D12/400**

(58) **Field of Classification Search**
USPC D12/107, 110, 114, 115, 117, 126, 400,
D12/401, 404, 415, 423, 179; D25/48.1,
D25/48.3
CPC . B60R 1/025; B60R 1/08; B62H 5/001; B62J
9/006; B65D 43/16; B65D 43/22; B65D
55/02; F21S 48/00; G01S 13/931
See application file for complete search history.

(56) **References Cited**

U.S. PATENT DOCUMENTS

D530,246 S * 10/2006 Shipman D12/162
8,590,229 B2 * 11/2013 Taylor E04F 11/062
182/46
D696,932 S * 1/2014 Rodenhouse D8/399
D736,054 S * 8/2015 Heva D8/303
D741,777 S * 10/2015 Henderson D12/213
D742,214 S * 11/2015 Yuan D8/399

D745,369 S * 12/2015 Tungesvick D8/349
D748,098 S * 1/2016 Khodapanah D14/447
D748,973 S * 2/2016 Rodenhouse D8/399

(Continued)

OTHER PUBLICATIONS

Unseen Sensors, image post date May 2, 2014, site visited Apr. 19, 2017, (online), <<http://designmind.frogdesign.com/2014/05/unseen.sensors-constantly-sensing-rarely-seen/>>.*

(Continued)

Primary Examiner — Kevin Rudzinski
Assistant Examiner — Sean D Lough
(74) *Attorney, Agent, or Firm* — Birch, Stewart, Kolasch & Birch, LLP

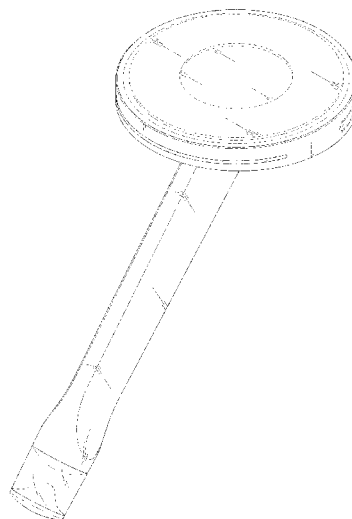
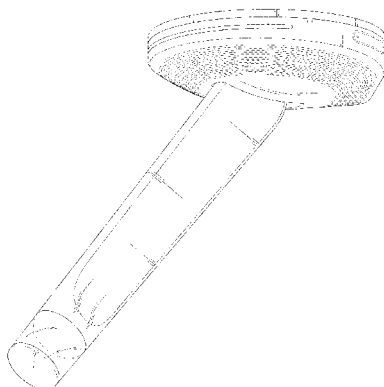
(57) **CLAIM**

The ornamental design for a black box for vehicle, as shown and described.

DESCRIPTION

FIG. 1 is a bottom perspective view of a black box for vehicle showing our new design;
FIG. 2 is a front view thereof;
FIG. 3 is a rear view thereof;
FIG. 4 is a left side view thereof;
FIG. 5 is a right side view thereof;
FIG. 6 is a top plan view thereof;
FIG. 7 is a bottom plan view thereof;
FIG. 8 is a top perspective view thereof; and,
FIG. 9 is a right side view thereof showing an example of the usage of the subject design in which the black box is installed inside the vehicle (windshield).
The broken lines depict portions of the black box for vehicle that form no part of the claimed design. The environment of FIG. 9 forms no part of the claimed design and the dash dot line surrounding said environment forms a boundary of the environment that also forms no part of the claimed design.

1 Claim, 9 Drawing Sheets



(56)

References Cited

U.S. PATENT DOCUMENTS

D773,972 S * 12/2016 Cloete D12/197
D773,995 S * 12/2016 Jabaji D13/112
D774,984 S * 12/2016 Panichgasem D12/118
D779,706 S * 2/2017 Starck D26/93
2006/0289541 A1 * 12/2006 Boback B65D 43/0254
220/266
2009/0193632 A1 * 8/2009 Yeh B62J 9/006
24/581.1
2015/0158641 A1 * 6/2015 Choi B65D 51/18
220/255
2016/0009459 A1 * 1/2016 Miyamoto B43K 23/08
220/259.1
2016/0051071 A1 * 2/2016 Buck A47G 21/187
239/33
2016/0123559 A1 * 5/2016 Ahn F21V 14/04
362/510
2017/0057707 A1 * 3/2017 Lin B65D 43/22

OTHER PUBLICATIONS

MagicMOUNT window, image post date Feb. 28, 2014, site visited
Apr. 21, 2017, (online), <http://www.scosche.com/mmwindow#product_tabs_review_tabbed>.*
Samsung Galaxy Black Universal Vehicle Navigation Mount ECS-K200BEGSTA, image post date Aug. 4, 2013, site visited Apr. 21, 2017, (online), <<https://www.newegg.com/Product/Product.aspx?Item=9SIA3PC2U26469>>.*

* cited by examiner

FIG. 1

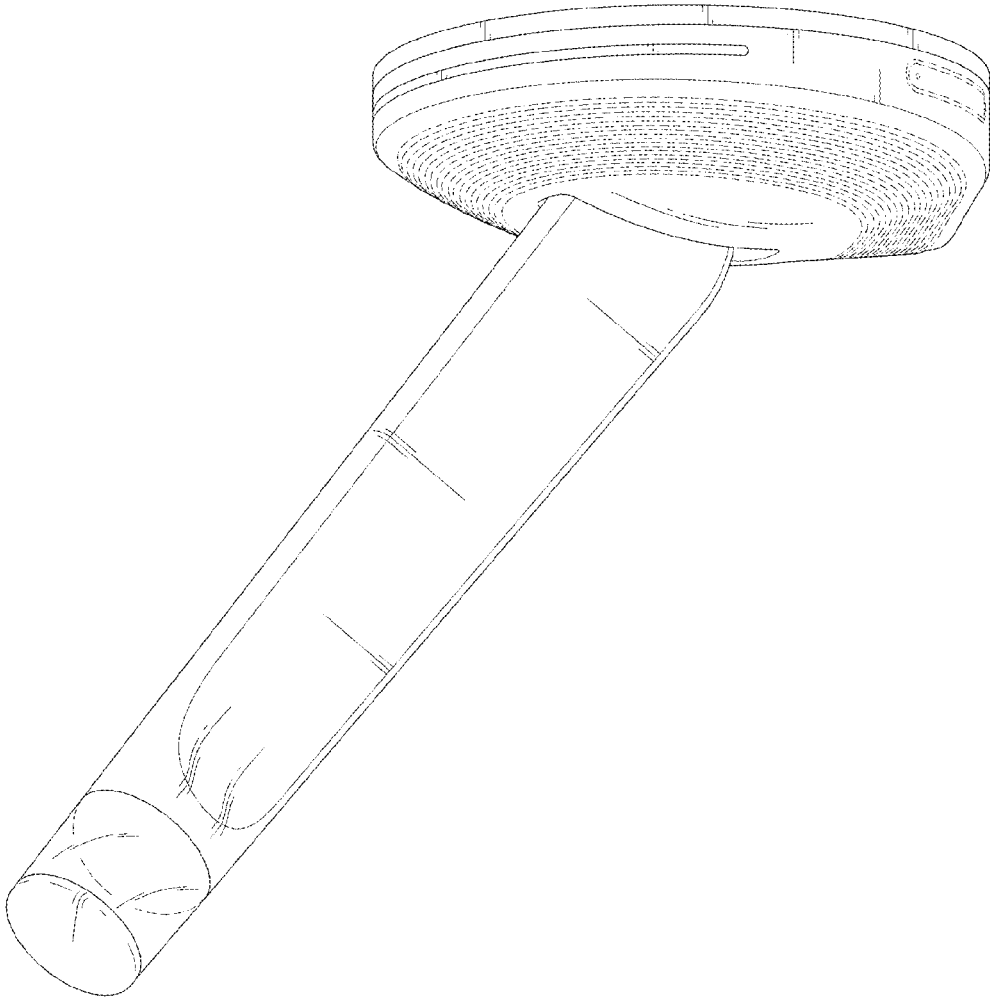


FIG. 2

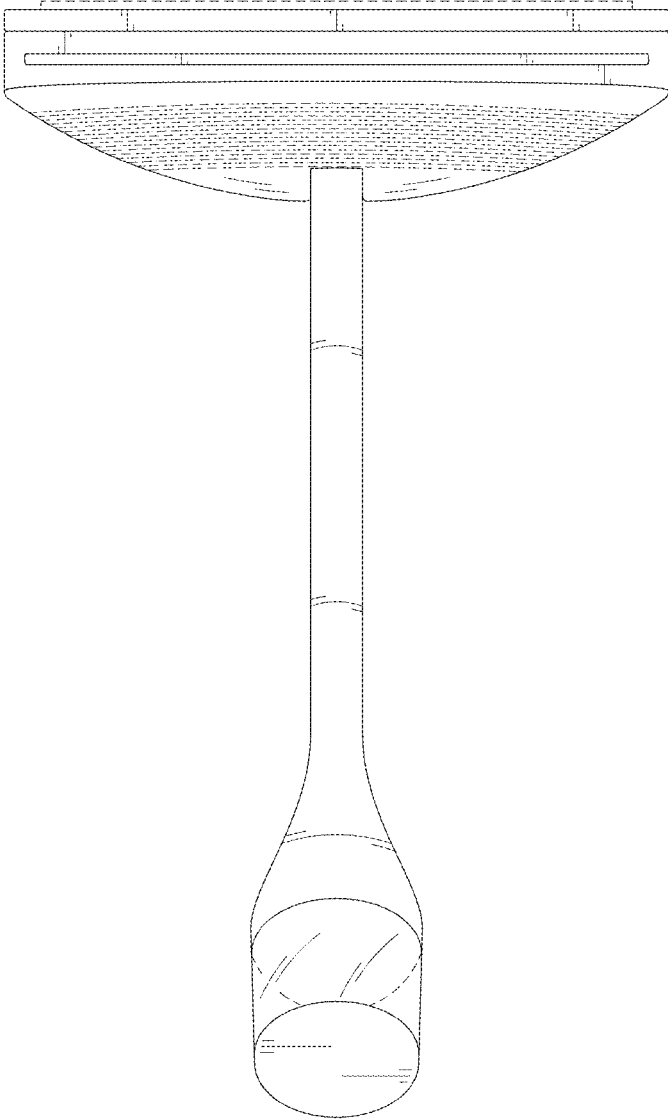


FIG. 3

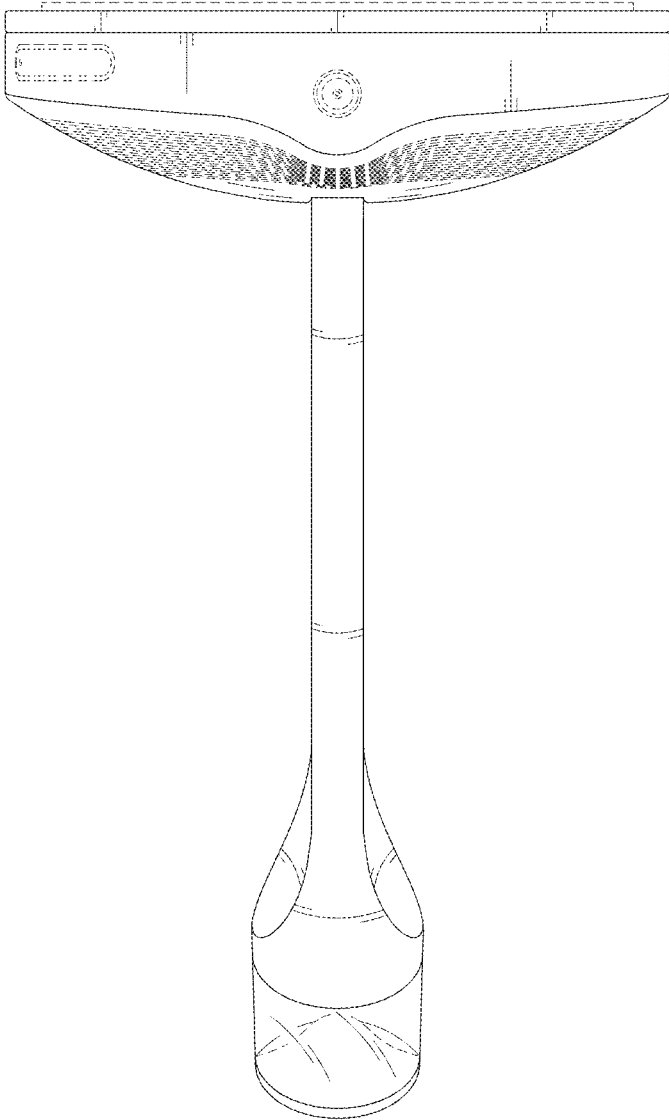


FIG. 4

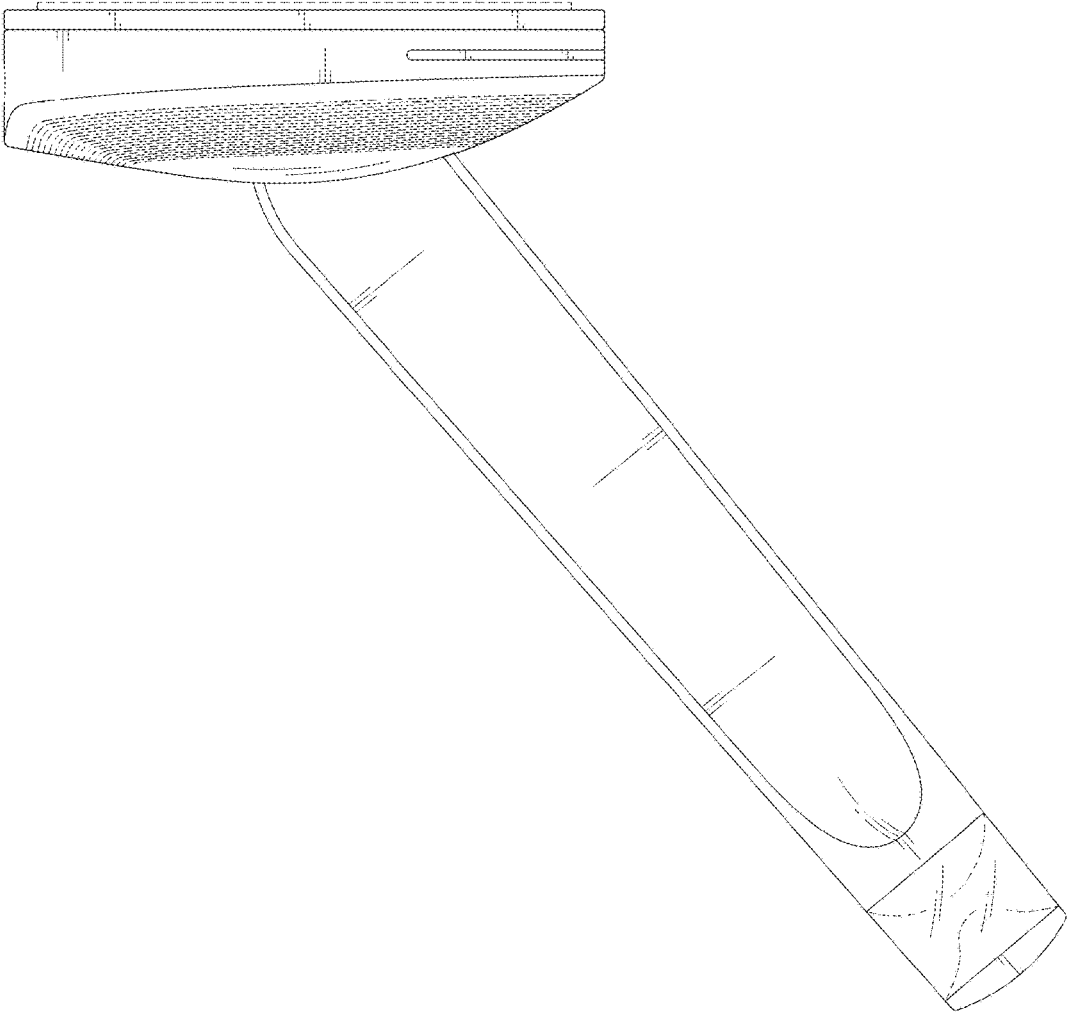


FIG. 5

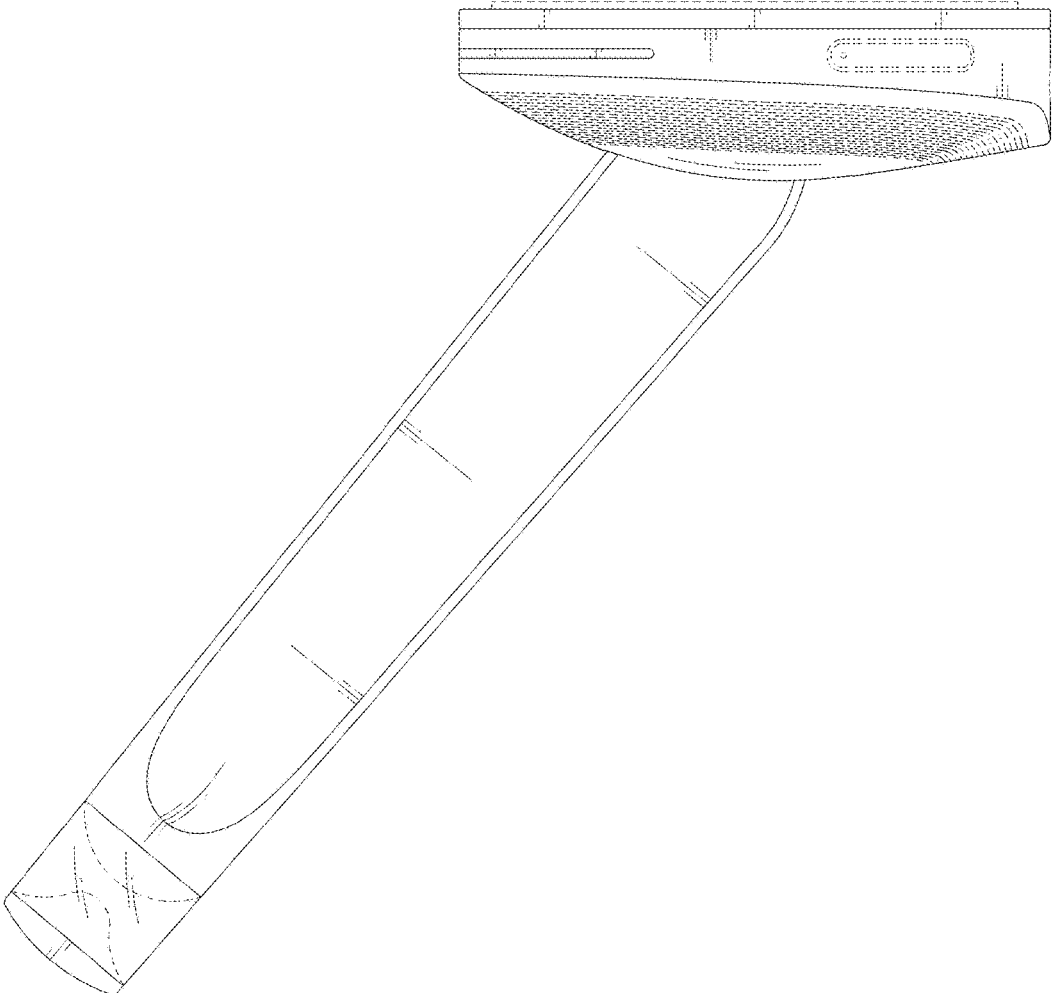


FIG. 6

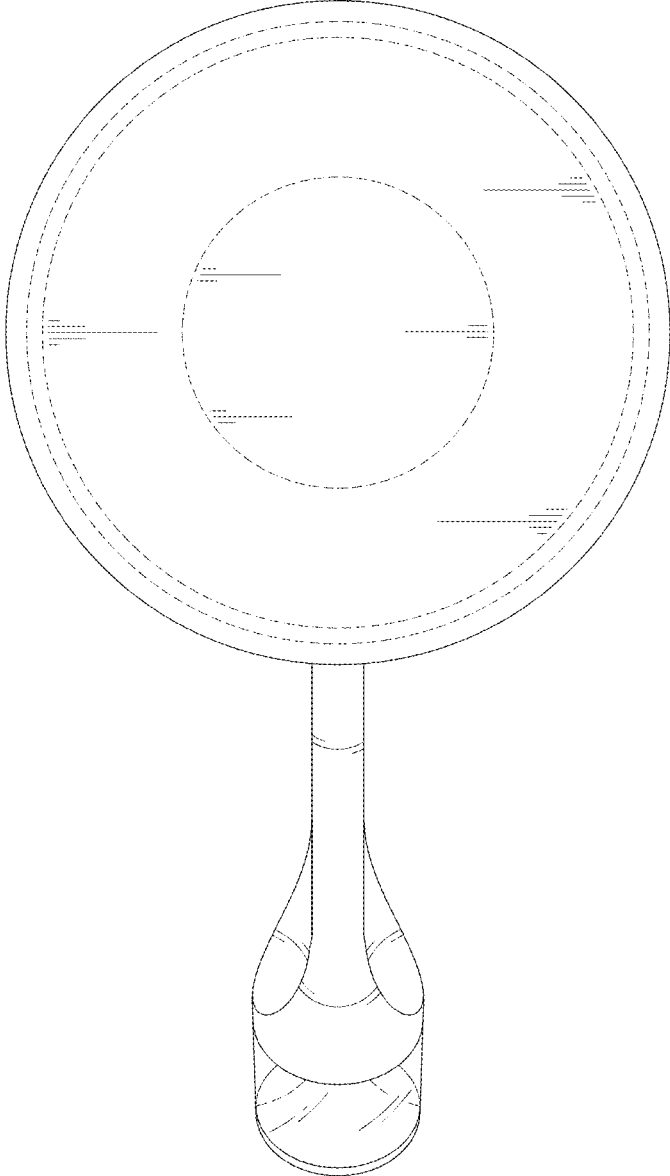


FIG. 7

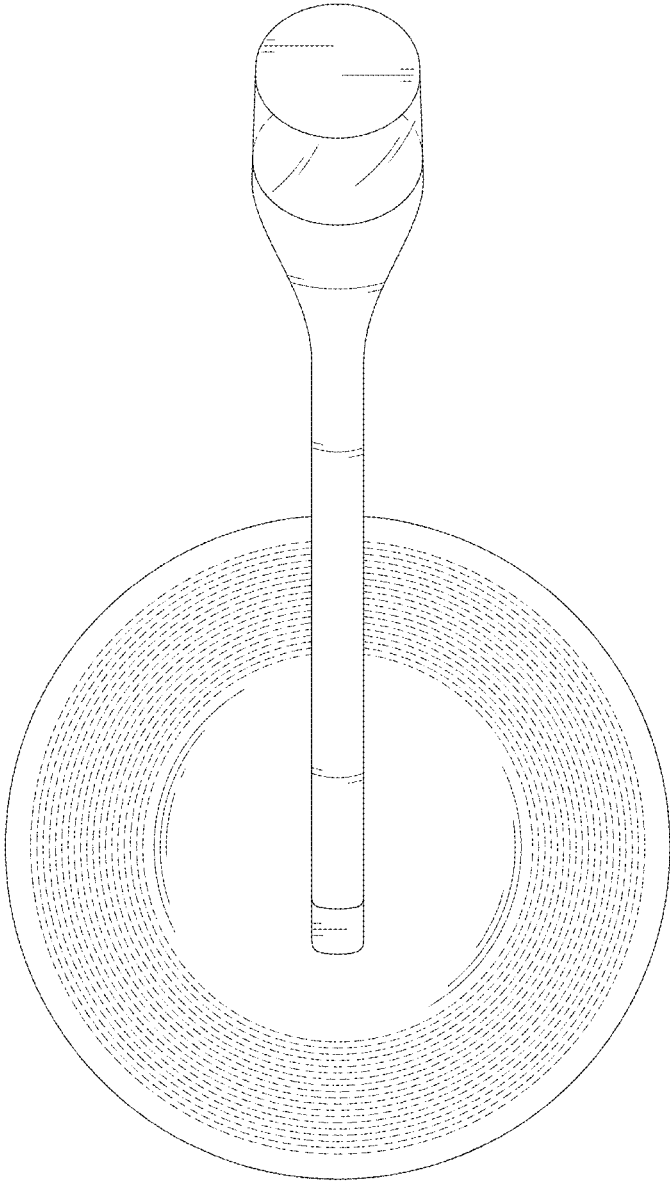


FIG. 8

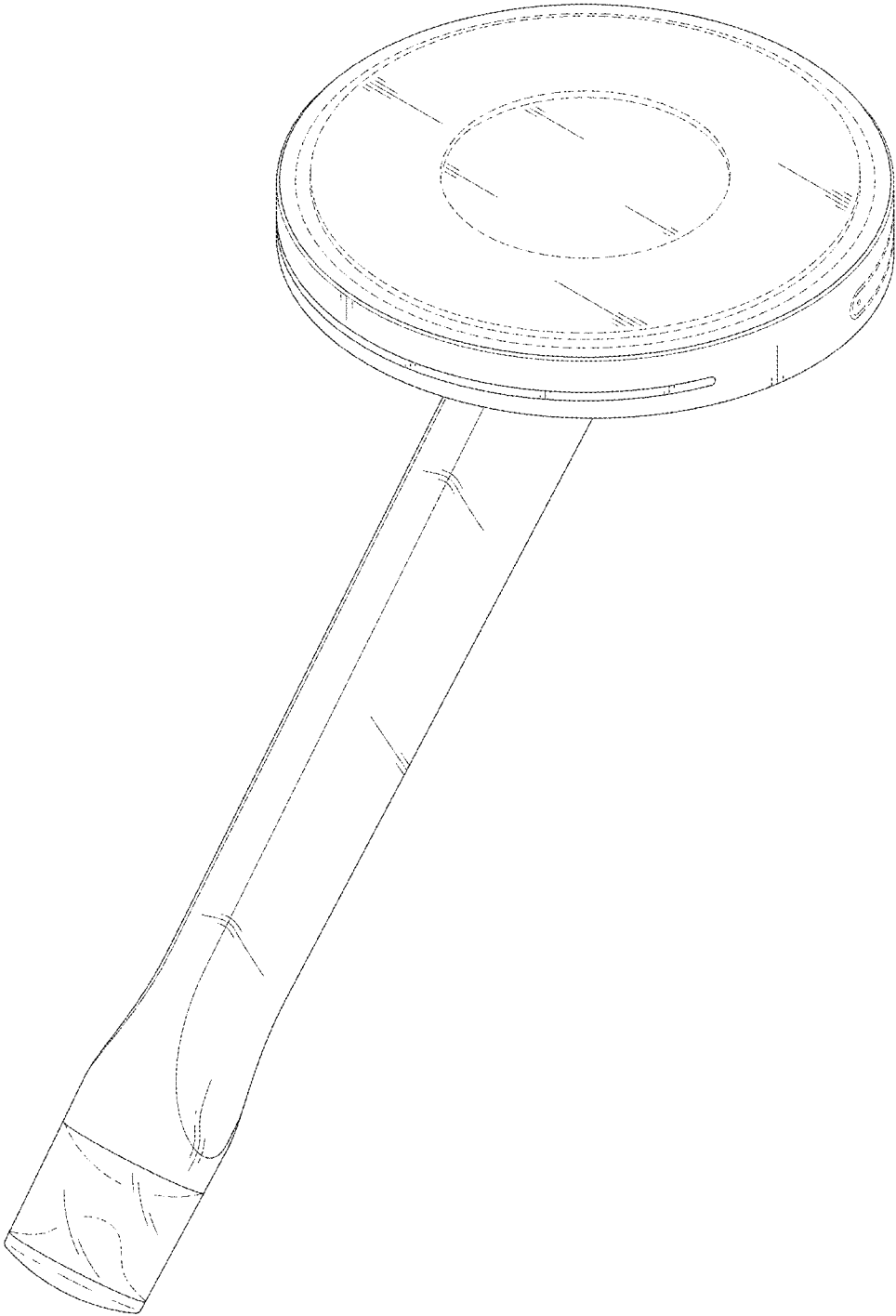


FIG. 9

