



US00D791193S

(12) **United States Design Patent**
Byrne et al.

(10) **Patent No.:** **US D791,193 S**

(45) **Date of Patent:** **** Jul. 4, 2017**

(54) **POWER END FRAME SEGMENT**

(71) Applicant: **S.P.M. Flow Control, Inc.**, Fort Worth, TX (US)

(72) Inventors: **Joseph H. Byrne**, Hudson Oaks, TX (US); **Jacob A. Bayyouk**, Richardson, TX (US); **Chandu Kumar**, Fort Worth, TX (US)

(73) Assignee: **S.P.M. Flow Control, Inc.**, Fort Worth, TX (US)

(**) Term: **15 Years**

(21) Appl. No.: **29/567,631**

(22) Filed: **Jun. 10, 2016**

Related U.S. Application Data

(63) Continuation of application No. 29/534,091, filed on Jul. 24, 2015, now Pat. No. Des. 759,728, which is a (Continued)

(51) **LOC (10) Cl.** **15-02**

(52) **U.S. Cl.** **D15/9**
USPC **D15/9**

(58) **Field of Classification Search**
USPC D15/7-9; D23/231, 232, 225; 417/60, 417/235, 265, 321, 355, 358, 363, 359, (Continued)

(56) **References Cited**

U.S. PATENT DOCUMENTS

364,627 A 6/1887 Arnold
879,560 A 2/1908 Lepley
(Continued)

FOREIGN PATENT DOCUMENTS

BR 8700642 A 8/1988
CA 2486126 A1 10/2005
(Continued)

OTHER PUBLICATIONS

“Simatool Bearing Handling Tool BHT,” Simatec Smart Technologies; Dec. 19, 2013; <http://www.simatec.com/products/simatool/bearinghandlingtool/>.

(Continued)

Primary Examiner — Ralf Seifert
(74) *Attorney, Agent, or Firm* — Gardere Wynne Sewell LLP

(57) **CLAIM**

The ornamental design for a power end frame segment, as shown and described.

DESCRIPTION

FIG. 1 is a front perspective view of a power end frame segment;

FIG. 2 is a front view of the power end frame segment;

FIG. 3 is a rear view of the power end frame segment;

FIG. 4 is left side view of the power end frame segment;

FIG. 5 is a right side view of the power end frame segment;

FIG. 6 is a top view of the power end frame segment; and,

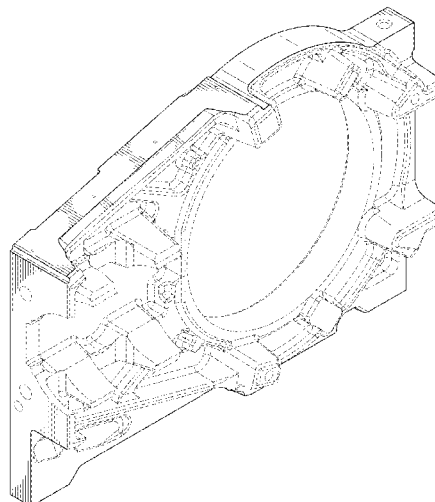
FIG. 7 is a bottom view of the power end frame segment.

The broken lines in FIGS. 1 through 7 form no part of the claimed design.

Attached hereto is an Appendix that includes FIGS. A through G. FIGS. A through G in the Appendix form no part of the claimed design.

Although FIGS. A-G form no part of the claimed design, FIGS. A through G depict a power end frame segment that includes the claimed design. FIG. A is a front perspective view of the power end frame segment. FIG. B is a front view of the power end frame segment. FIG. C is a rear view of the power end frame segment. FIG. D is a left side view of the power end frame segment. FIG. E is a right side view of the power end frame. FIG. F is a top view of the power end frame segment. FIG. G is a bottom view of the power end frame segment.

1 Claim, 5 Drawing Sheets



Related U.S. Application Data

continuation of application No. 14/808,513, filed on Jul. 24, 2015.

(58) **Field of Classification Search**

USPC 417/410.1, 415-416, 405, 900; 60/408, 60/412; 137/343, 565.34; 184/26-37; 415/140-147; 123/495, 509
 CPC F02M 37/04; F02M 37/14
 See application file for complete search history.

(56) **References Cited**

U.S. PATENT DOCUMENTS

1,418,202	A	5/1922	Parsons	4,876,947	A	10/1989	Rhodes
1,707,228	A	4/1929	Knapp	4,887,518	A	12/1989	Hayakawa
1,867,585	A	7/1932	Moore	4,939,984	A	7/1990	Fletcher-Jones
1,890,428	A	12/1932	Ferris et al.	4,950,145	A	8/1990	Zanetos et al.
1,926,925	A	9/1933	Wescott	4,966,109	A	10/1990	Pusic et al.
2,056,622	A	10/1936	Schaer	5,031,512	A	7/1991	Graziani
2,420,779	A	5/1947	Holmes	5,060,603	A	10/1991	Williams
2,428,602	A	10/1947	Yingling	5,063,775	A	11/1991	Walker, Sr. et al.
2,443,332	A	6/1948	Summers	5,076,220	A	12/1991	Evans et al.
2,665,555	A	1/1954	Martinsson	5,078,580	A	1/1992	Miller et al.
2,682,433	A	6/1954	Maier	5,080,319	A	1/1992	Nielsen
2,755,739	A	7/1956	Euwe	5,115,725	A	5/1992	Horiuchi
2,776,701	A	10/1956	Giraudeau	5,135,031	A	8/1992	Burgess et al.
2,823,085	A	2/1958	Keylwert	5,156,534	A	10/1992	Burgy et al.
2,828,931	A	4/1958	Harvey	5,216,943	A	6/1993	Adler et al.
2,878,990	A	3/1959	Zurcher	5,246,355	A	9/1993	Matzner et al.
2,991,003	A	7/1961	Petersen	5,247,873	A	9/1993	Owens et al.
3,039,317	A	6/1962	Wilson	5,287,612	A	2/1994	Paddock et al.
3,049,082	A	8/1962	Barry	5,313,061	A	5/1994	Drew et al.
3,137,179	A	6/1964	Moorhead	5,337,612	A	8/1994	Evans
3,158,211	A	11/1964	McCue	5,370,093	A	12/1994	Hayes
3,163,474	A	12/1964	Wilson	D354,495	S *	1/1995	Tojo D15/7
3,168,665	A	2/1965	Holper	5,425,306	A	6/1995	Binford
3,179,451	A	4/1965	Blank	5,560,332	A	10/1996	Chang
3,206,242	A	9/1965	Fensin	5,594,665	A	1/1997	Walter et al.
3,207,142	A	9/1965	Gorissen et al.	5,658,250	A	8/1997	Blomquist et al.
3,236,315	A	2/1966	Lora	5,671,655	A	9/1997	Vollrath
3,356,036	A	12/1967	Repp	5,673,666	A	10/1997	Beardmore et al.
3,358,352	A	12/1967	Wilcox	5,772,403	A	6/1998	Allison et al.
3,487,892	A	1/1970	Kiefer	5,839,888	A	11/1998	Harrison
3,595,101	A	7/1971	Cooper, Sr.	5,846,056	A	12/1998	Dhindsa et al.
3,757,149	A	9/1973	Holper	5,855,397	A	1/1999	Black et al.
3,760,694	A	9/1973	Lieb	5,984,645	A	11/1999	Cummings
3,883,941	A	5/1975	Coil	6,260,004	B1	7/2001	Hays et al.
3,967,542	A	7/1976	Hall et al.	6,330,525	B1	12/2001	Hays et al.
4,013,057	A	3/1977	Guenther	6,419,459	B1	7/2002	Sibbing
4,048,909	A	9/1977	Jepsen	6,557,457	B1	5/2003	Hart et al.
4,099,447	A	7/1978	Ogles	6,663,349	B1	12/2003	Discenzo et al.
4,140,442	A	2/1979	Mulvey	6,697,741	B2	2/2004	Yu et al.
4,191,238	A	3/1980	Pichl	6,718,955	B1	4/2004	Knight
4,210,399	A	7/1980	Jain	D495,342	S	8/2004	Tojo et al.
4,211,190	A	7/1980	Indech	D496,670	S	9/2004	Ohnishi
4,246,908	A	1/1981	Inagaki et al.	6,853,110	B1	2/2005	Durham et al.
4,269,569	A	5/1981	Hoover	6,859,740	B2	2/2005	Stephenson et al.
4,338,054	A	7/1982	Dahl	6,873,267	B1	3/2005	Tubel et al.
4,381,179	A	4/1983	Pareja	6,882,960	B2	4/2005	Miller
4,388,837	A	6/1983	Bender	7,111,604	B1	9/2006	Hellenbroich et al.
4,476,772	A	10/1984	Gorman et al.	D538,824	S	3/2007	Tojo
4,477,237	A	10/1984	Grable	7,219,594	B2	5/2007	Kugelev et al.
4,494,415	A	1/1985	Elliston	7,220,119	B1	5/2007	Kirchmer et al.
4,512,694	A	4/1985	Foran et al.	7,272,533	B2	9/2007	Schlosser
4,553,298	A	11/1985	Grable	7,364,412	B2	4/2008	Kugelev et al.
4,606,709	A	8/1986	Chisolm	7,374,005	B2	5/2008	Gray, Jr.
4,667,627	A	5/1987	Matsui et al.	7,404,704	B2	7/2008	Kugelev et al.
4,705,459	A	11/1987	Buisine et al.	D591,311	S	4/2009	Tojo
4,729,249	A	3/1988	Besic	7,588,384	B2	9/2009	Yokohara
4,762,051	A	8/1988	Besic et al.	7,610,847	B2	11/2009	McKelroy
4,771,801	A	9/1988	Crump et al.	7,621,179	B2	11/2009	Ens et al.
4,803,964	A	2/1989	Kurek et al.	7,623,986	B2	11/2009	Miller
4,809,646	A	3/1989	Paul et al.	D613,765	S *	4/2010	Reverberi D15/5
4,824,342	A	4/1989	Buck	D613,766	S *	4/2010	Reverberi D15/5
4,842,039	A	6/1989	Kelm	D616,467	S *	5/2010	Reverberi D15/5
				7,866,153	B2	1/2011	Sollie et al.
				D633,105	S *	2/2011	Magri D15/7
				7,931,078	B2	4/2011	Toporowski et al.
				8,100,048	B2	1/2012	Christopher
				8,162,631	B2	4/2012	Patel et al.
				D658,684	S	5/2012	Roman
				D668,266	S	10/2012	Ramirez, Jr.
				D670,312	S	11/2012	Alexander et al.
				D676,875	S	2/2013	Ramirez, Jr.
				8,376,723	B2	2/2013	Kugelev et al.
				D678,628	S	3/2013	Krueger
				D678,911	S	3/2013	Prevost
				D682,317	S	5/2013	Carruth et al.
				D685,393	S	7/2013	Prevost
				8,529,230	B1	9/2013	Colley, III et al.
				D692,026	S	10/2013	Alexander et al.
				D693,200	S	11/2013	Saunders

(56)

References Cited

U.S. PATENT DOCUMENTS

D698,502 S 1/2014 Krueger
 D700,211 S * 2/2014 Alexander D15/7
 D700,622 S 3/2014 Carruth et al.
 8,707,853 B1 4/2014 Dille et al.
 D704,385 S 5/2014 Hoofman
 D708,401 S 7/2014 Krueger
 D713,101 S 9/2014 Bruno et al.
 8,833,301 B2 9/2014 Donegan et al.
 8,833,302 B2 9/2014 Donegan et al.
 8,857,374 B1 10/2014 Donegan et al.
 D759,728 S * 6/2016 Byrne D15/9
 2002/0020460 A1 2/2002 Viken
 2002/0189587 A1 12/2002 Hirano
 2003/0024386 A1 2/2003 Burke
 2003/0079604 A1 5/2003 Seo
 2003/0118104 A1 6/2003 Zaccarin
 2004/0213677 A1 10/2004 Matzner et al.
 2004/0219040 A1 11/2004 Kugelev et al.
 2004/0244577 A1 12/2004 Haughom
 2006/0029502 A1 2/2006 Kugelev et al.
 2007/0041847 A1 2/2007 Inoue et al.
 2007/0041849 A1 2/2007 Allen
 2007/0099746 A1 5/2007 Hahlbeck
 2007/0144842 A1 6/2007 Zhou
 2008/0006148 A1 1/2008 McKelroy
 2008/0078583 A1 4/2008 Cummins
 2008/0213115 A1 9/2008 Hilger et al.
 2008/0271562 A1 11/2008 Yasuhara et al.
 2009/0084260 A1 4/2009 Christopher
 2009/0092510 A1 4/2009 Williams et al.
 2010/0044028 A1 2/2010 Brooks
 2010/0129245 A1 5/2010 Patel et al.
 2010/0129249 A1 5/2010 Bianchi et al.
 2010/0158726 A1 6/2010 Donald et al.
 2010/0160710 A1 6/2010 Strickland
 2010/0172778 A1 7/2010 Kugelev et al.
 2010/0242720 A1 9/2010 Matzner et al.
 2010/0260631 A1 10/2010 Kugelev et al.
 2010/0322802 A1 12/2010 Kugelev
 2012/0141305 A1 6/2012 Landers et al.
 2012/0144995 A1 6/2012 Bayyouk et al.
 2012/0148430 A1 6/2012 Hubenschmidt et al.
 2012/0167759 A1 7/2012 Chinthan et al.
 2013/0064696 A1 3/2013 McCormick et al.
 2013/0206108 A1 8/2013 Schule et al.
 2013/0233165 A1 9/2013 Matzner et al.
 2014/0196570 A1 7/2014 Small et al.
 2015/0377318 A1 12/2015 Byrne
 2016/0025082 A1 1/2016 Byrne et al.
 2016/0025088 A1 1/2016 Byrne et al.
 2016/0025089 A1 1/2016 Kumar et al.
 2016/0025090 A1 1/2016 Bayyouk et al.

FOREIGN PATENT DOCUMENTS

CA 2686204 A1 5/2010
 CA 2749110 A1 7/2010
 CA 153846 S 9/2014
 CN 2436688 Y 6/2001
 CN 2612816 Y 4/2004
 CN 2674183 Y 1/2005
 CN 2705626 Y 6/2005
 CN 2758526 Y 2/2006
 CN 1908435 A 2/2007
 CN 2900853 Y 5/2007
 CN 2926584 Y 7/2007
 CN 200964929 Y 10/2007
 CN 201092955 Y 7/2008
 CN 101476558 A 7/2009
 CN 201610828 U 10/2010
 CN 201836038 U 5/2011
 CN 201874803 U 6/2011
 CN 102439314 A 5/2012
 CN 103403351 A 11/2013
 CN 2009100265839 4/2014

CN ZL201330555622.7 5/2014
 CN 105264275 A 1/2016
 DE 975401 C 11/1961
 DE 1191069 B 4/1965
 DE 3234504 A1 4/1983
 DE 3441508 A1 5/1986
 DE 3802714 A1 8/1988
 DE 4416120 A1 11/1995
 DE 19653164 C2 3/2000
 DE 20120609 U1 3/2002
 DE 10129046 B4 1/2006
 EP 0300905 A1 1/1989
 EP 0449278 A1 10/1991
 EP 2397694 A1 12/2011
 FR 2618509 A1 1/1989
 GB 2342421 B 3/2003
 GB 2419671 A 5/2006
 GB 2482786 B 1/2015
 JP 60175753 A 9/1985
 JP 194453 7/1991
 JP 10288086 A 10/1998
 JP 292004 B2 7/1999
 JP 11200947 A 7/1999
 JP 3974386 B2 9/2007
 JP 2008539364 A 11/2008
 KP 199990079544 11/1999
 KP 100287572 6/2001
 KR 1019990060438 7/1999
 KR 100275877 B1 12/2000
 KR 20010065249 A 7/2001
 KR 100302886 11/2001
 KR 10200170108223 12/2001
 RU 2037700 C1 6/1995
 SG 20131413 3/2014
 WO WO-2008137515 A1 11/2008
 WO WO-2010080961 A2 7/2010
 WO WO-2010080963 A2 7/2010
 WO WO-2011005571 A2 1/2011
 WO WO-2012092452 A2 7/2012
 WO WO-2013183490 A1 12/2013
 WO WO-2014143094 A1 9/2014
 WO WO-2015200810 A2 12/2015
 WO WO-2016014967 A1 1/2016
 WO WO-2016014988 A1 1/2016
 WO WO-2016015006 A1 1/2016
 WO WO-2016015012 A1 1/2016

OTHER PUBLICATIONS

International Search Report mailed Dec. 4, 2015 in corresponding PCT application PCT/US2015/042078, 13 pages.
 International Search Report and Written Opinion mailed Dec. 28, 2015 in corresponding international application PCT/US2015/042043, 14 pages.
 International Search Report mailed Jun. 29, 2015 in corresponding PCT application, PCT/US2015/014898, 14 pages.
 Advisory Action mailed Apr. 7, 2009, by the USPTO, re U.S. Appl. No. 10/833,921.
 Australia Exam Report, issued Feb. 9, 2015, by IP Australia, re App No. 2011352095.
 Canadian Examiner's Report dated Aug. 18, 2016, by CIPO, re App No. 2905809.
 Canadian Examiner's Report dated Jan. 11, 2016, by CIPO, re App No. 2749110.
 Canadian Examiner's Report dated Oct. 22, 2015, by CIPO, re App No. 2686204.
 Canadian Examiner's Report dated May 13, 2014, by CIPO, re App No. 153846.
 Canadian Examiner's Report dated Oct. 8, 2014, by CIPO, re App No. 2823213.
 Chinese Office Action dated Mar. 15, 2013, re App No. 200910226583.9.
 Chinese Office Action, issued Sep. 2, 2014, by SIPO, re App No. 201080008236.X.
 Decision on Appeal mailed Feb. 20 2013 by USPTO, re U.S. Appl. No. 10/831,467.

(56)

References Cited

OTHER PUBLICATIONS

Dirk Guth et al., "New Technology for a High Dynamical MRF-Clutch for Safe and Energy-Efficient Use in Powertrain," FISITA 2012 World Automotive Congress, Beijing, China, Nov. 27-30, 2012, 31 pages.

Election Requirement, mailed Nov. 18 2014, by the USPTO, re U.S. Appl. No. 29/455,618.

Estee Lauder Inc. v. L'Oreal, USA, 129 F.3d 588, 44 U.S.P.Q.2d 1610, No. 96-1512, United States Court of Appeals, Federal Circuit, Decided Nov. 3, 1997.

Examiner's Answer mailed Jan. 29, 2010 by USPTO, re U.S. Appl. No. 10/831,467.

Examiners Interview Summary mailed Apr. 10, 2008, by the USPTO, re U.S. Appl. No. 10/833,921.

Examiners Interview Summary mailed Jul. 17, 2008, by the USPTO, re U.S. Appl. No. 10/831,467.

Gardner Denver Well Servicing Pump Model C-25000Q Power End Parts List, Feb. 2009.

International Preliminary Report on Patentability, by the IPEA/US, mailed Aug. 23, 2016 re PCT/US2013/042043.

International Preliminary Report on Patentability, by the IPEA/US, mailed Jan. 4, 2012 re PCT/US2010/039651.

International Preliminary Report on Patentability, by the IPEA/US, mailed Jul. 12, 2011 re PCT/US2010/020445.

International Preliminary Report on Patentability, by the IPEA/US, mailed Jul. 12, 2011 re PCT/US2010/020447.

International Preliminary Report on Patentability, by the IPEA/US, mailed Mar. 9, 2015 re PCT/US2013/040106.

International Preliminary Report on Patentability, by the IPEA/US, mailed Sep. 16, 2016 re PCT/US2015/042104.

International Search Report and Written Opinion mailed Oct. 19, 2015 in corresponding, PCT/US2015/042104; 11 pages.

International Search Report and Written Opinion, by the ISA/US, mailed Aug. 28, 2012, re PCT/US2011/067770, 6 pages.

International Search Report and Written Opinion, by the ISA/US, mailed Aug. 3, 2010, re PCT/US2010/020445, 7 pages.

International Search Report and Written Opinion, by the ISA/US, mailed Aug. 3, 2010, re PCT/US2010/020447, 7 pages.

International Search Report and Written Opinion, by the ISA/US, mailed Feb. 24, 2011, re PCT/US2010/039651, 7 pages.

International Search Report and Written Opinion, by the ISA/US, mailed Mar. 4, 2015, re PCT/US2014/069567.

International Search Report and Written Opinion, by the ISA/US, mailed Nov. 27, 2015, re PCT/US2015/038008.

International Search Report and Written Opinion, by the ISA/US, mailed Oct. 19, 2015, re PCT/US2015/042104.

International Search Report and Written Opinion, by the ISA/US, mailed Oct. 19, 2015, re PCT/US2015/042119.

International Search Report and Written Opinion, by the ISA/US, mailed Sep. 5, 2013, re PCT/US2013/040106.

"Metadyne, Torsional Vibration Dampers Brochure."

MSI/Dixie Iron Works, Ltd., Technical Manual for 600 HP Triplex MSI TI-600 Pump, Rev. P. 102 date unknown.

MSI/Dixie Iron Works, Ltd., Technical Manual for MSI Hybrid Well Service Pump Triplex and Quintuplex Modes, Rev. D, 91 pages, date unknown.

Notice of Allowance mailed Dec. 23, 2011, by the USPTO, re U.S. Appl. No. 12/277,849.

Notice of Allowance mailed Feb. 12, 2016, by the USPTO, re U.S. Appl. No. 29/534,091.

Notice of Allowance ailed Jan. 28, 2015, by the USPTO, re U.S. Appl. No. 29/455,618.

Notice of Allowance mailed Oct. 12, 2012, by the USPTO, re U.S. Appl. No. 12/883,804.

Office Action mailed Apr. 19, 2012, by the USPTO, re U.S. Appl. No. 12/821,663.

Office Action mailed Jan. 18, 2013, by the USPTO, re U.S. Appl. No. 12/748,127.

Office Action mailed Jan. 2, 2014, by the USPTO, re U.S. Appl. No. 13/866,121.

Office Action mailed Jan. 21, 2009, by the USPTO, re U.S. Appl. No. 10/833,921.

Office Action mailed Jan. 27, 2012, by the USPTO, re U.S. Appl. No. 12/683,804.

Office Action mailed Jul. 16, 2007, by the USPTO, re U.S. Appl. No. 10/831,467.

Office Action mailed Jul. 16, 2012, by the USPTO, re U.S. Appl. No. 12/683,804.

Office Action mailed Jul. 28, 2008, by the USPTO, re U.S. Appl. No. 10/833,921.

Office Action mailed Jun. 1, 2016, by the USPTO, re U.S. Appl. No. 14/565,962.

Office Action mailed Jun. 24, 2009, by the USPTO, re U.S. Appl. No. 10/831,497.

Office Action mailed Mar. 8, 2016, by the USPTO, re U.S. Appl. No. 14/262,880.

Office Action mailed Mar. 9, 2012, by the USPTO, re U.S. Appl. No. 12/821,663.

Office Action mailed May 23, 2013, by the USPTO, re U.S. Appl. No. 12/683,900.

Office Action mailed May 29, 2007, by the USPTO, re U.S. Appl. No. 10/833,921.

Office Action mailed May 7, 2008, by the USPTO, re U.S. Appl. No. 10/831,467.

Office Action mailed Nov. 14, 2008, by the USPTO, re U.S. Appl. No. 10/831,467.

Office Action mailed Oct. 11, 2011, by the USPTO, re U.S. Appl. No. 12/277,849.

Office Action mailed Oct. 7, 2013, by the USPTO, re U.S. Appl. No. 13/643,525.

Office Action mailed Sep. 18, 2007, by the USPTO, re U.S. Appl. No. 10/833,921.

Office Action mailed Sep. 29, 2014, by the USPTO, re U.S. Appl. No. 13/339,640.

Office Action/Restriction mailed Mar. 29, 2016, by the USPTO, re U.S. Appl. No. 14/565,962.

SPM QEM2500 GL Well Service Plunger Pump, Generic Operation Instruction and Service Manual, May 8, 2010.

Suction Requirements for Reciprocating Power Pumps, p. 59, Figure 3.4 Composite Pump Dynamics.

Supplemental Notice of Allowance mailed Mar. 21, 2012, by the USPTO, re U.S. Appl. No. 12/277,849.

Canadian Office Action dated May 17, 2011, re App No. 2486126.

Chinese Office Action mailed Oct. 29, 2013, re App No. 201080008236.X.

* cited by examiner

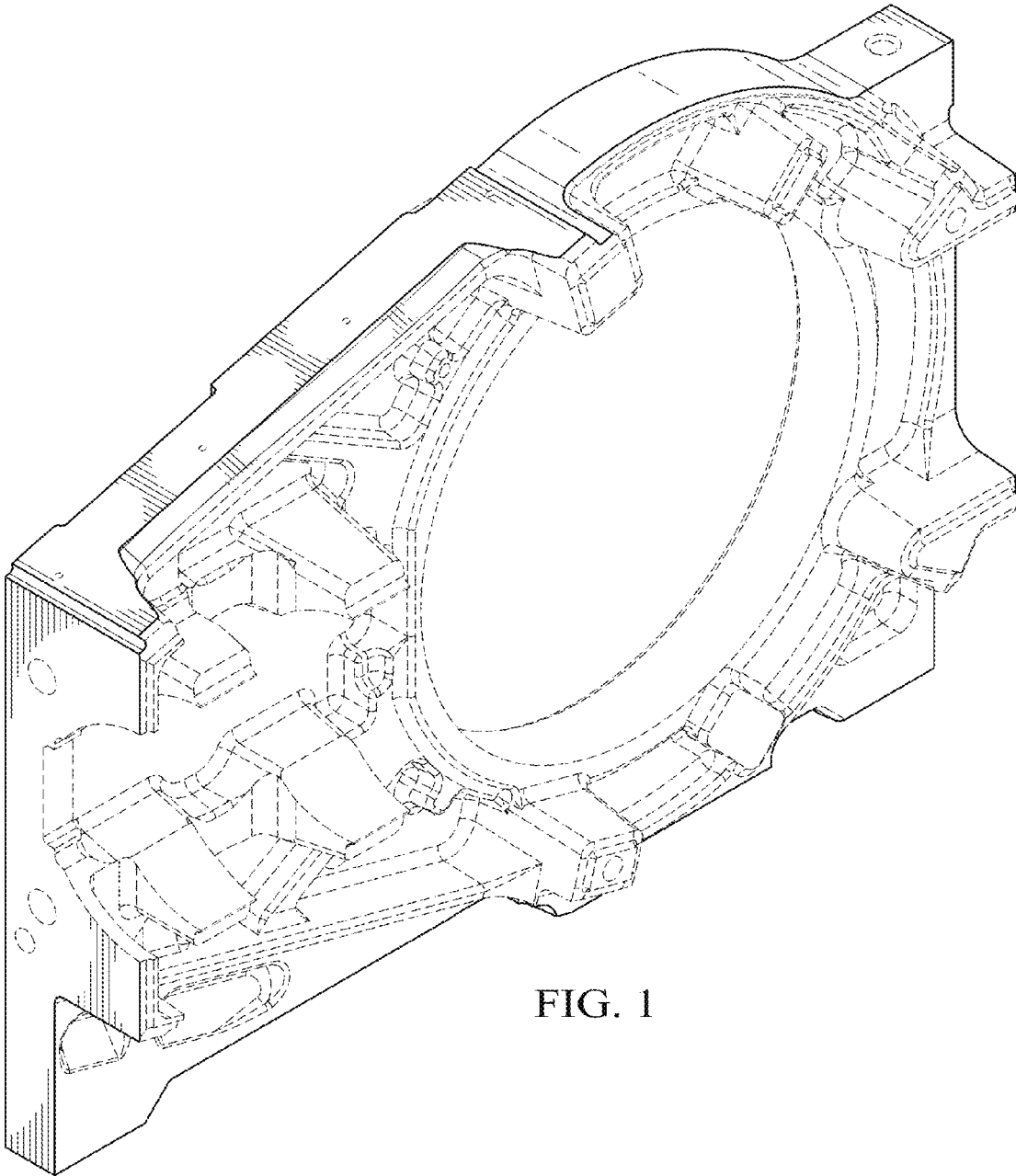


FIG. 1

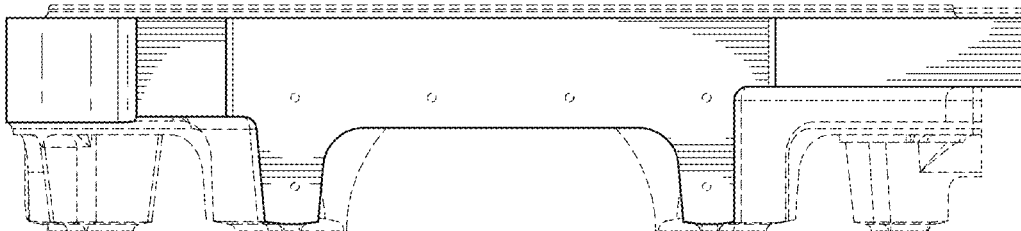


FIG. 3

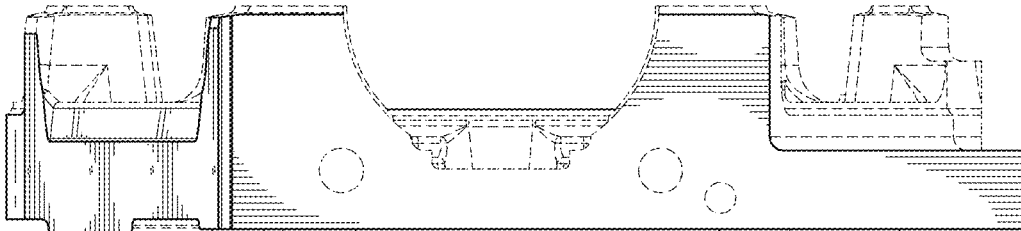


FIG. 2

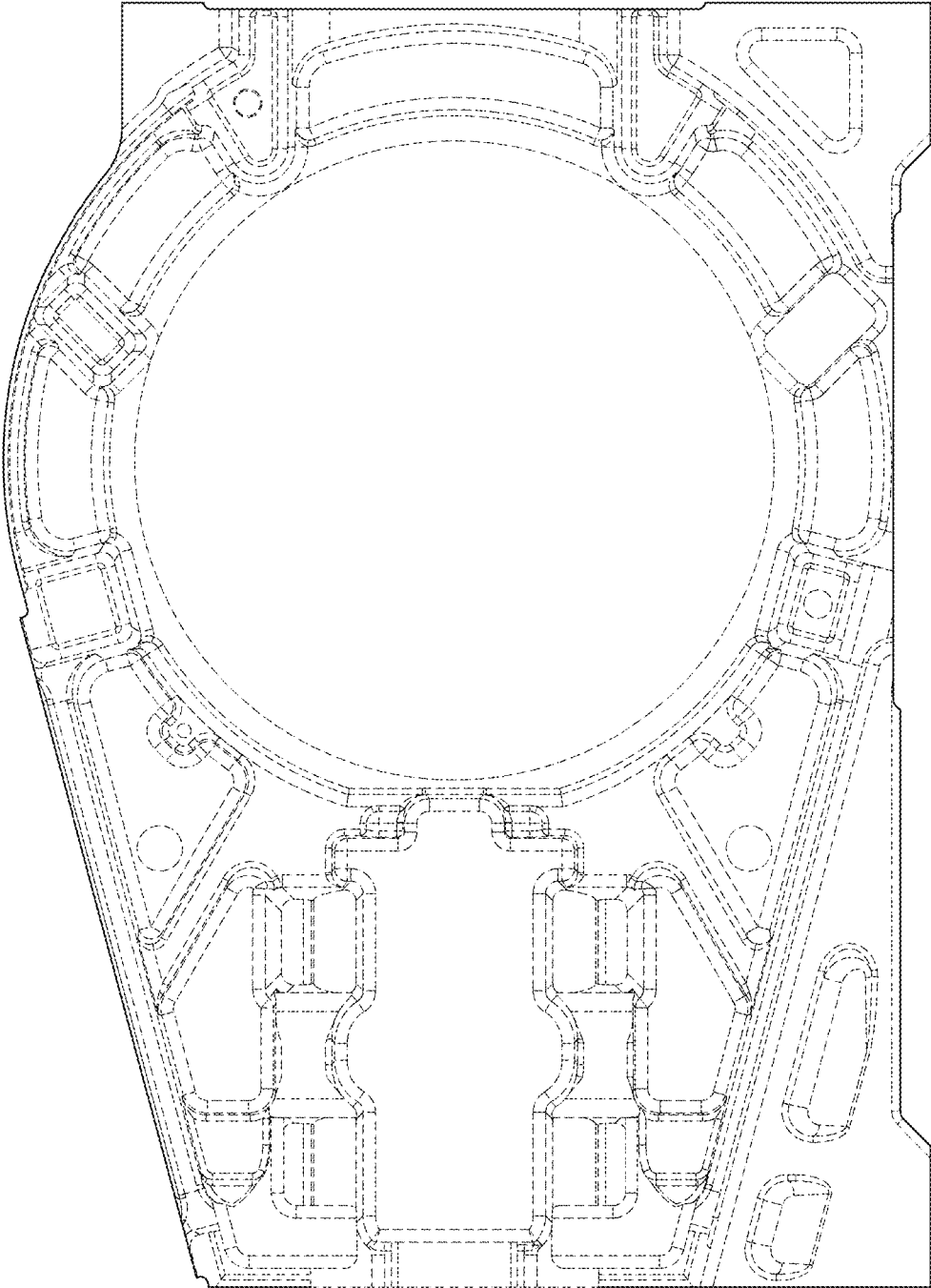


FIG. 4

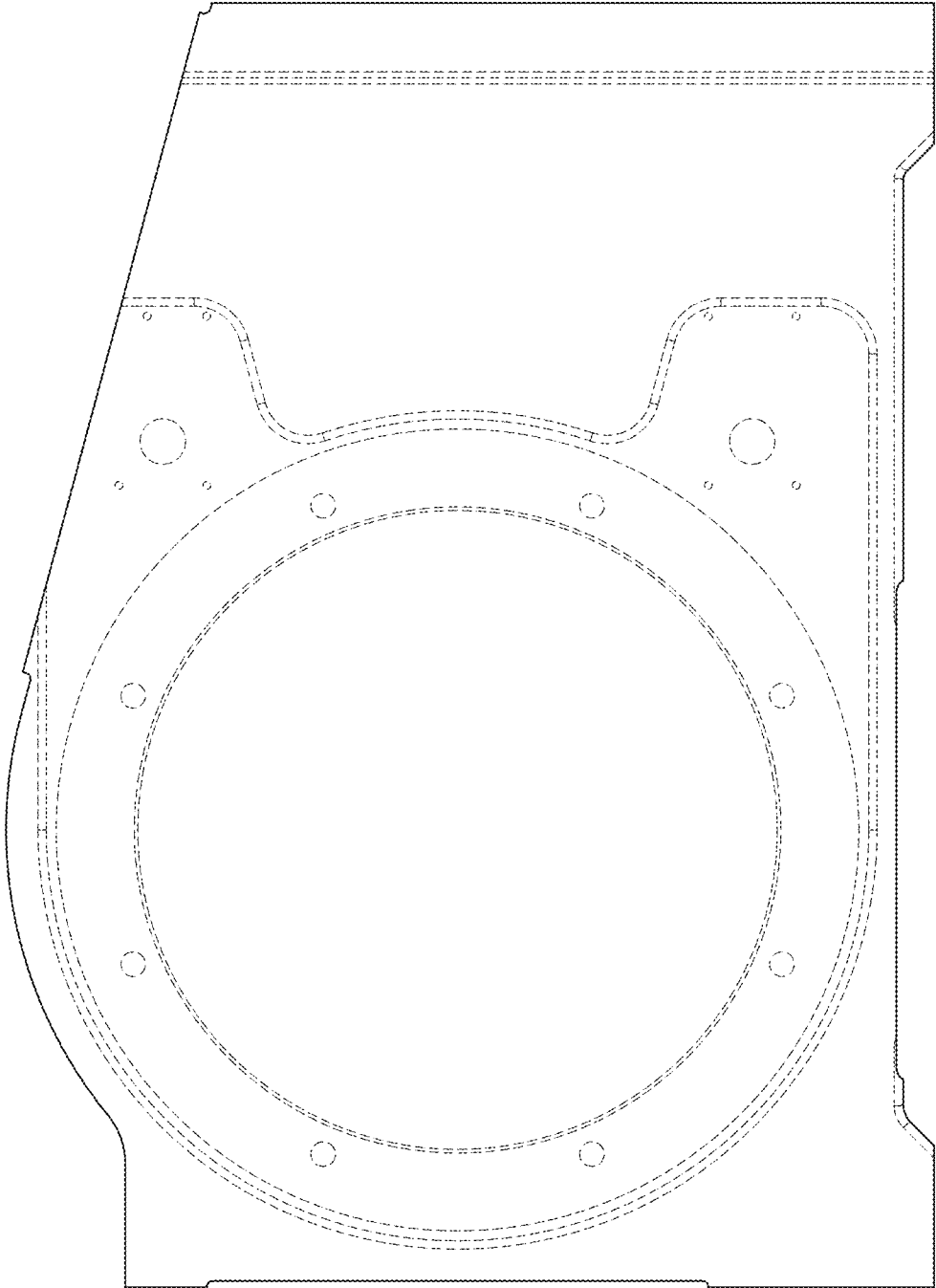


FIG. 5

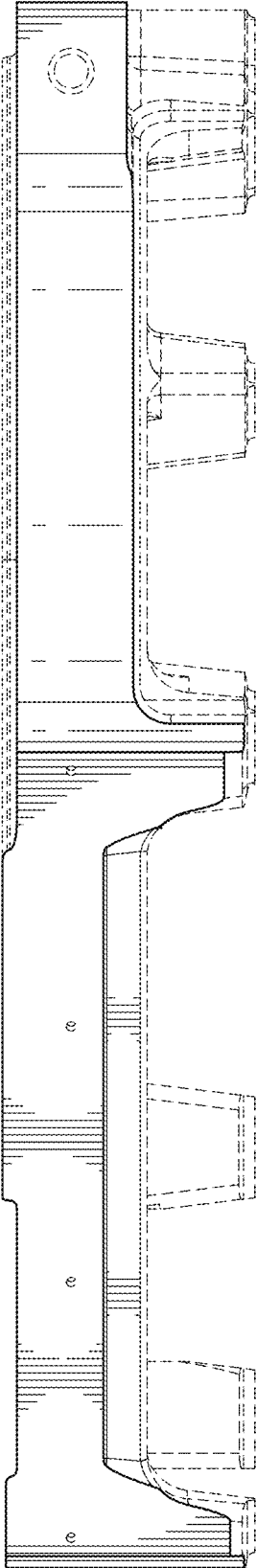


FIG. 6

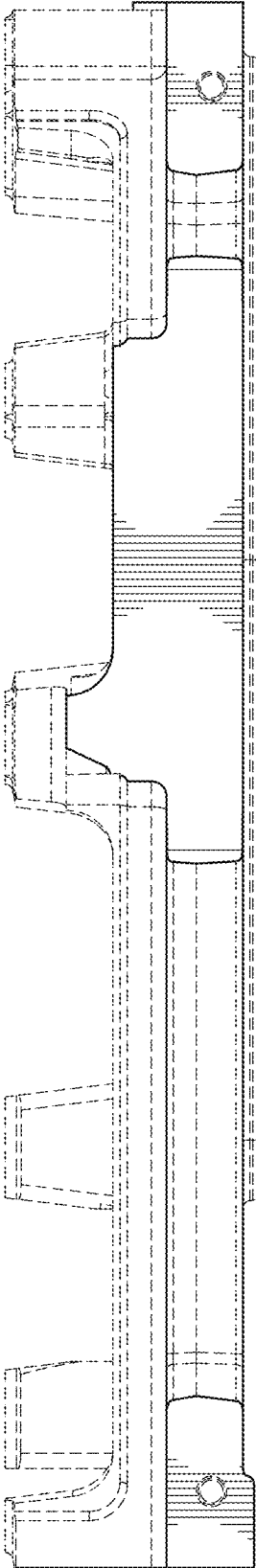


FIG. 7