



US00D874348S

(12) **United States Design Patent**  
**Abe et al.**

(10) **Patent No.:** **US D874,348 S**

(45) **Date of Patent:** **\*\* Feb. 4, 2020**

(54) **ELECTRIC WHEELCHAIR AND/OR  
REPLICA THEREOF**

(71) Applicant: **HONDA MOTOR CO., LTD.**, Tokyo  
(JP)

(72) Inventors: **Mitsuhiro Abe**, Wako (JP); **Kanna  
Goto**, Wako (JP); **Takahiko Torii**,  
Wako (JP)

(73) Assignee: **HONDA MOTOR CO., LTD.**, Tokyo  
(JP)

(\*\*) Term: **15 Years**

(21) Appl. No.: **29/639,702**

(22) Filed: **Mar. 8, 2018**

(30) **Foreign Application Priority Data**

Sep. 11, 2017 (JP) ..... 2017-019732

(51) **LOC (12) Cl.** ..... **12-12**

(52) **U.S. Cl.**  
USPC ..... **D12/128**

(58) **Field of Classification Search**  
USPC ..... D12/128-133  
CPC ..... A61G 5/04; A61G 5/041-047; A61G  
2005/048

See application file for complete search history.

(56) **References Cited**

**U.S. PATENT DOCUMENTS**

D526,938 S \* 8/2006 Nagel ..... D12/128  
D530,650 S \* 10/2006 Azuma ..... D12/131

D556,647 S \* 12/2007 Yamagishi ..... D12/131  
D561,651 S \* 2/2008 Yamagishi ..... D12/131  
D590,751 S \* 4/2009 Yang ..... D12/128  
D608,255 S \* 1/2010 Arnell ..... D12/132  
D786,740 S \* 5/2017 Abe ..... D12/128  
D833,917 S \* 11/2018 Jiang ..... D12/128  
D848,905 S \* 5/2019 Jiang ..... D12/128  
D849,604 S \* 5/2019 Wu ..... D12/128

\* cited by examiner

*Primary Examiner* — Charles D Hanson

(74) *Attorney, Agent, or Firm* — Westerman, Hattori,  
Daniels & Adrian, LLP

(57) **CLAIM**

The ornamental design for an electric wheelchair and/or  
replica thereof, as shown and described herein.

**DESCRIPTION**

FIG. 1 is a front view of the electric wheelchair and/or  
replica thereof;

FIG. 2 is a rear view of the electric wheelchair and/or replica  
thereof;

FIG. 3 is a plan view of the electric wheelchair and/or replica  
thereof;

FIG. 4 is a right side view of the electric wheelchair and/or  
replica thereof;

FIG. 5 is a left side view of the electric wheelchair and/or  
replica thereof;

FIG. 6 is a front perspective view of the electric wheelchair  
and/or replica thereof as seen from the right side; and,  
FIG. 7 is a rear perspective view of the electric wheelchair  
and/or replica thereof as seen from the right side.

The broken lines shown in the drawings are for illustrative  
purpose only and form no part of the claimed design.

**1 Claim, 4 Drawing Sheets**

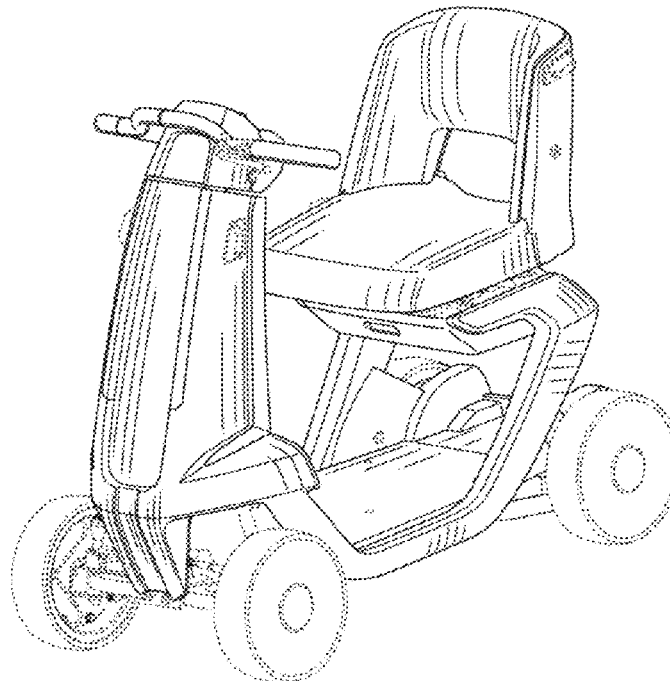


FIG.1

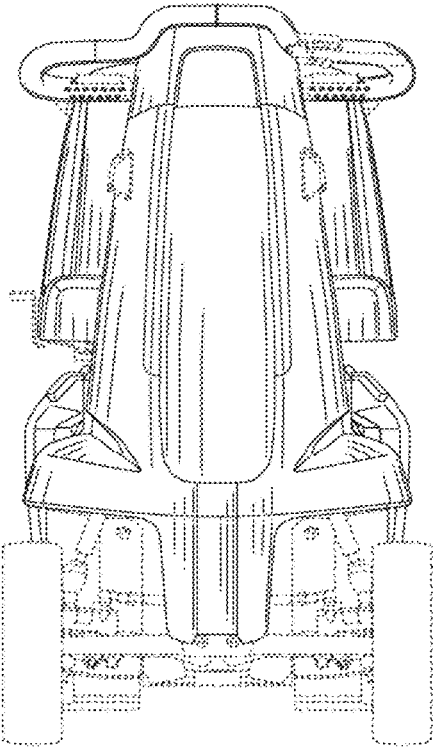


FIG.2

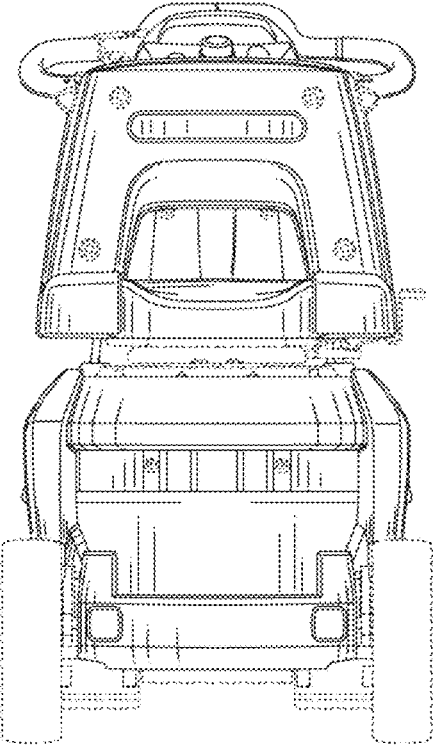


FIG.3

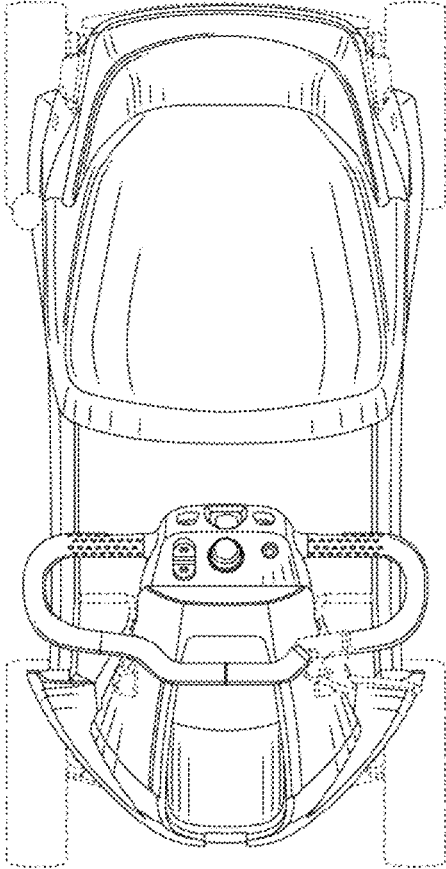


FIG.4

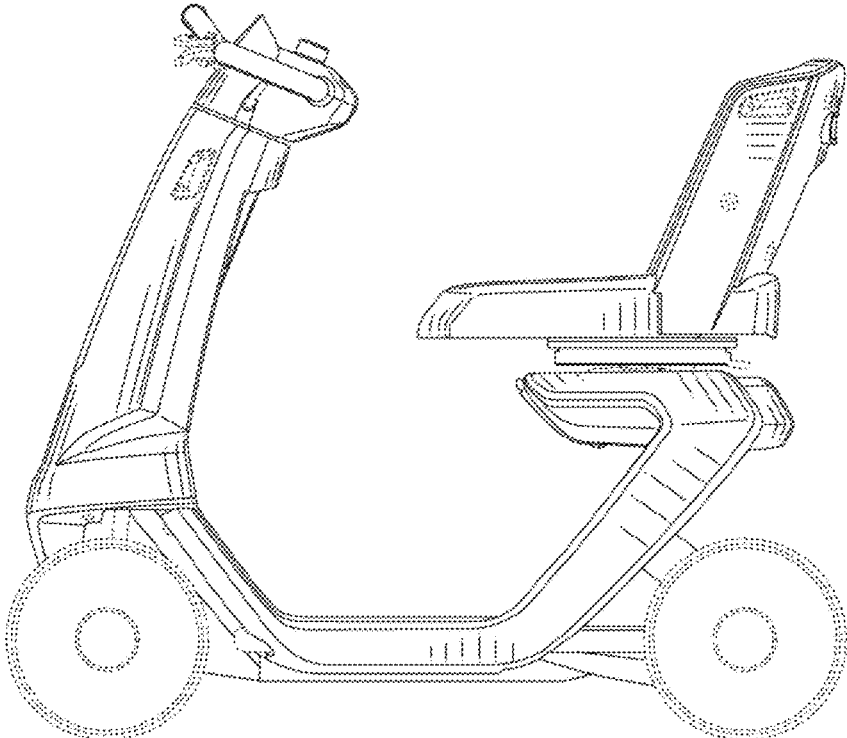


FIG.5

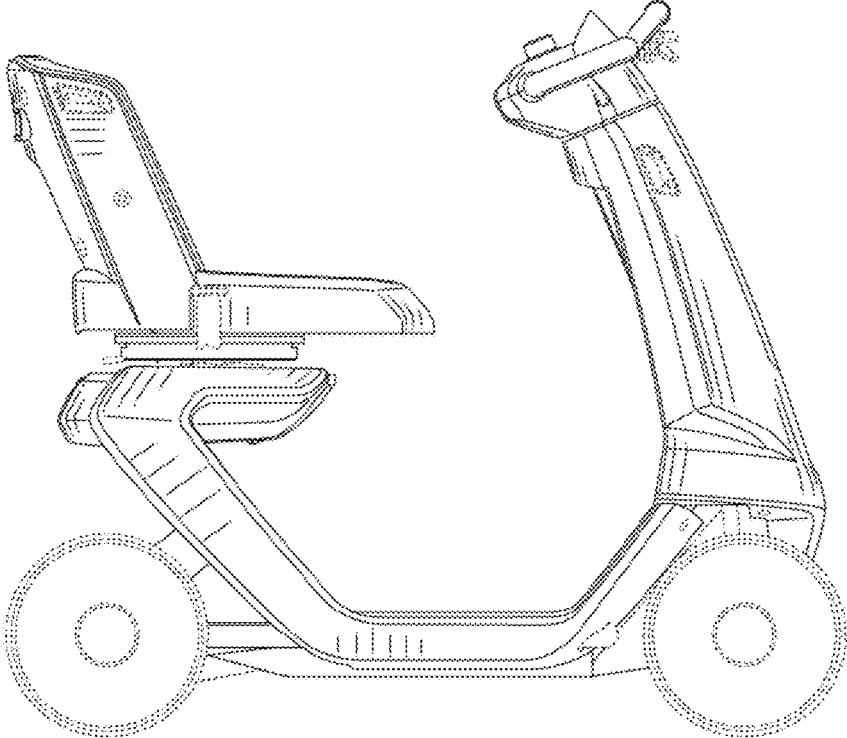


FIG.6

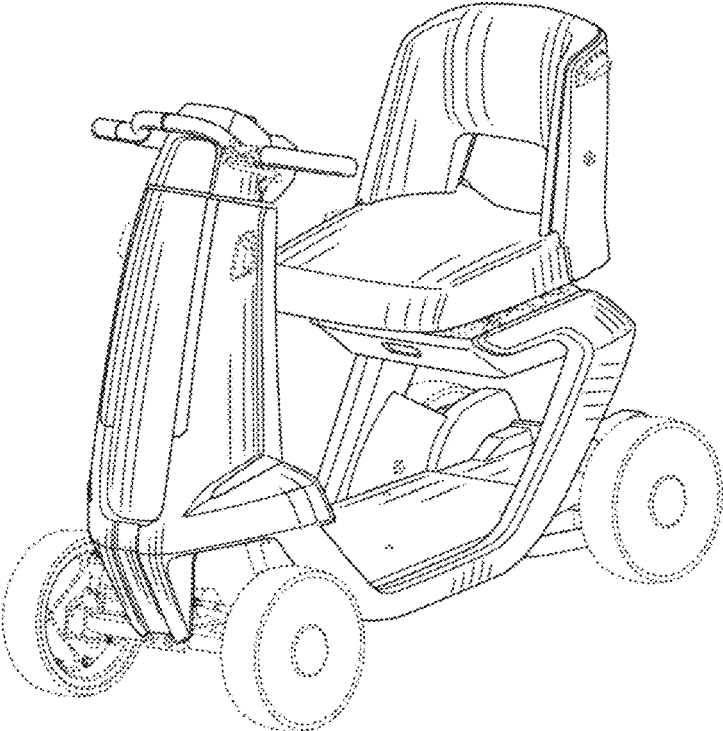


FIG.7

