



US0D1027103S

(12) **United States Design Patent**
Whelan

(10) **Patent No.:** **US D1,027,103 S**

(45) **Date of Patent:** **** May 14, 2024**

(54) **TARGET HOLDER**

(71) Applicant: **Ernest D. Whelan**, Jackson, NJ (US)

(72) Inventor: **Ernest D. Whelan**, Jackson, NJ (US)

(**) Term: **15 Years**

(21) Appl. No.: **29/923,923**

(22) Filed: **Jan. 3, 2024**

(51) **LOC (14) Cl.** **22-04**

(52) **U.S. Cl.**
USPC **D22/113**

(58) **Field of Classification Search**
USPC D6/312, 317, 326; D8/370; D20/21;
D21/302, 790; D22/113, 199
CPC F41J 1/00; F41J 1/10; F41J 3/00
See application file for complete search history.

(56) **References Cited**

U.S. PATENT DOCUMENTS

3,080,166	A *	3/1963	Clark	F41J 1/10 248/201
3,601,353	A *	8/1971	Dale	F41J 1/10 248/156
D323,408	S *	1/1992	Butler	D26/138
D358,628	S *	5/1995	Lenort	D22/108
D376,443	S *	12/1996	Porter	D26/138
5,598,996	A *	2/1997	Rath	F41J 1/10 248/163.1
D435,685	S *	12/2000	Lelm	D26/138
D619,671	S *	7/2010	Jenkins	D22/108
D648,818	S *	11/2011	Zalar	D22/113
9,255,773	B1 *	2/2016	Hall	F41J 7/00
D788,876	S *	6/2017	Brooks	D22/113
D789,099	S *	6/2017	Gorman	D6/312
D903,811	S *	12/2020	Engler	D22/113
11,213,731	B1 *	1/2022	Anderson	A63B 63/004
2003/0213880	A1 *	11/2003	Witt	F41J 1/10 248/156
2005/0077441	A1 *	4/2005	Coverstone	A45F 3/44 248/156

OTHER PUBLICATIONS

Highwild Adjustable Paper Target Stand, Amazon Online Product Page. Earliest Publication Date: Dec. 27, 2018. Date Accessed: Mar. 13, 2024. Retrieved from Internet URL: <https://www.amazon.com/dp/B07MDJC5V8/ref=> (Year: 2018).*
Allen Company EZ-Aim, Amazon Online Product Page. Earliest Publication Date: Jan. 31, 2019. Date Accessed: Mar. 13, 2024. Retrieved from Internet URL: <https://www.amazon.com/Allen-Company-Double-Target-Stand/dp/B07N9LTZSR> (Year: 2019).*

* cited by examiner

Primary Examiner — S. Bryan Reinholdt, Jr.
Assistant Examiner — Kaitlan Walker
(74) *Attorney, Agent, or Firm* — Ashley D. Johnson;
Dogwood Patent and Trademark Law

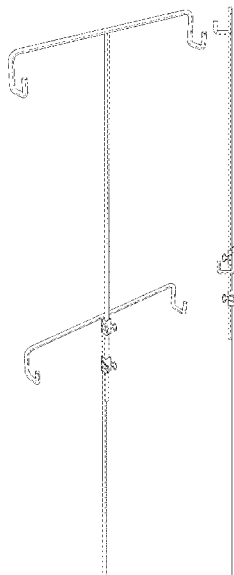
(57) **CLAIM**

The ornamental design for a target holder, as shown and described.

DESCRIPTION

FIG. 1 is a front perspective view of a new design for a target holder.
FIG. 2 is a front view of a new design for the target holder of FIG. 1.
FIG. 3 is a rear view of a new design for the target holder of FIG. 1.
FIG. 4 is a left side view of a new design for the target holder of FIG. 1.
FIG. 5 is a right side view of a new design for the target holder of FIG. 1.
FIG. 6 is a top view of a new design for the target holder of FIG. 1; and,
FIG. 7 is a bottom view of a new design for the target holder of FIG. 1.

1 Claim, 6 Drawing Sheets



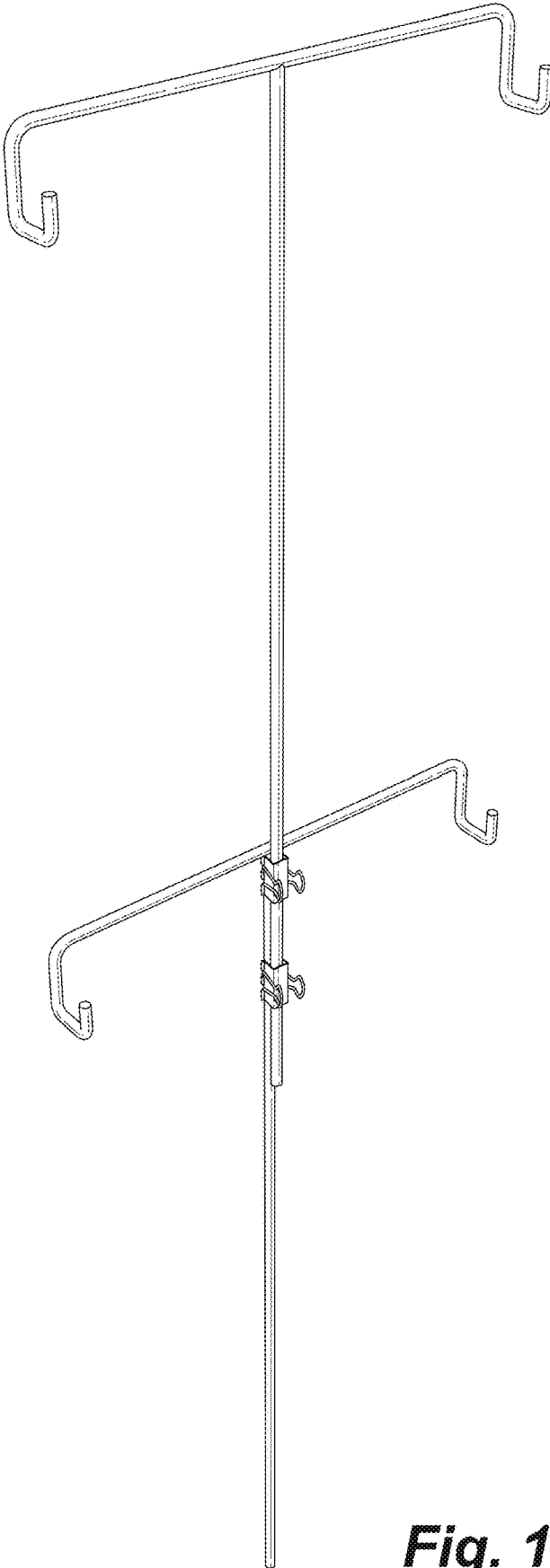


Fig. 1

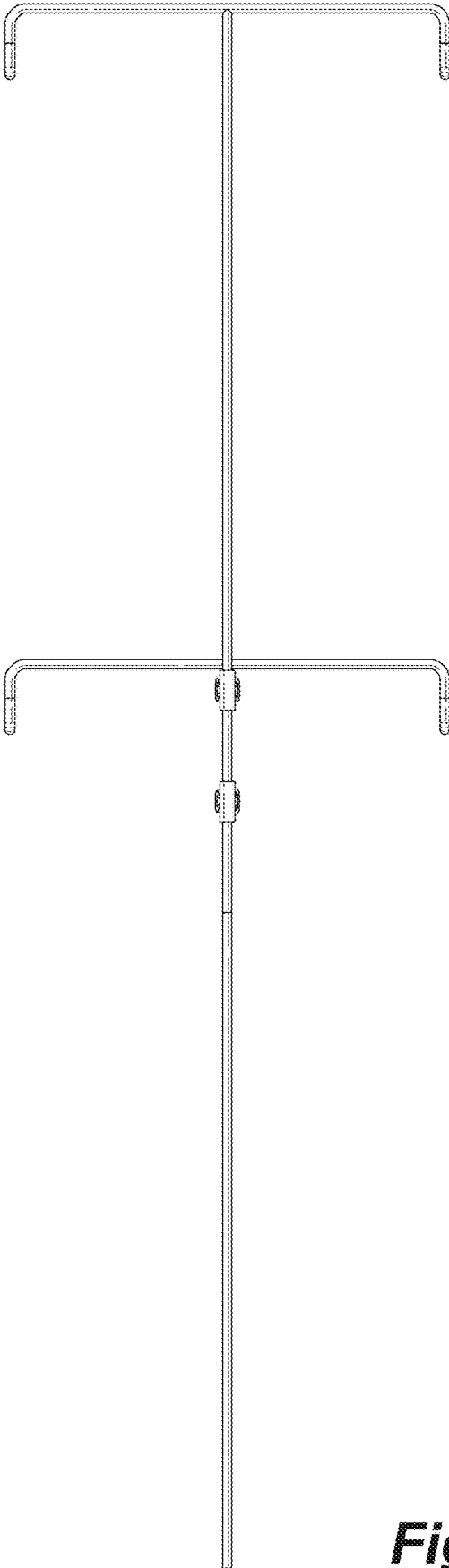


Fig. 2

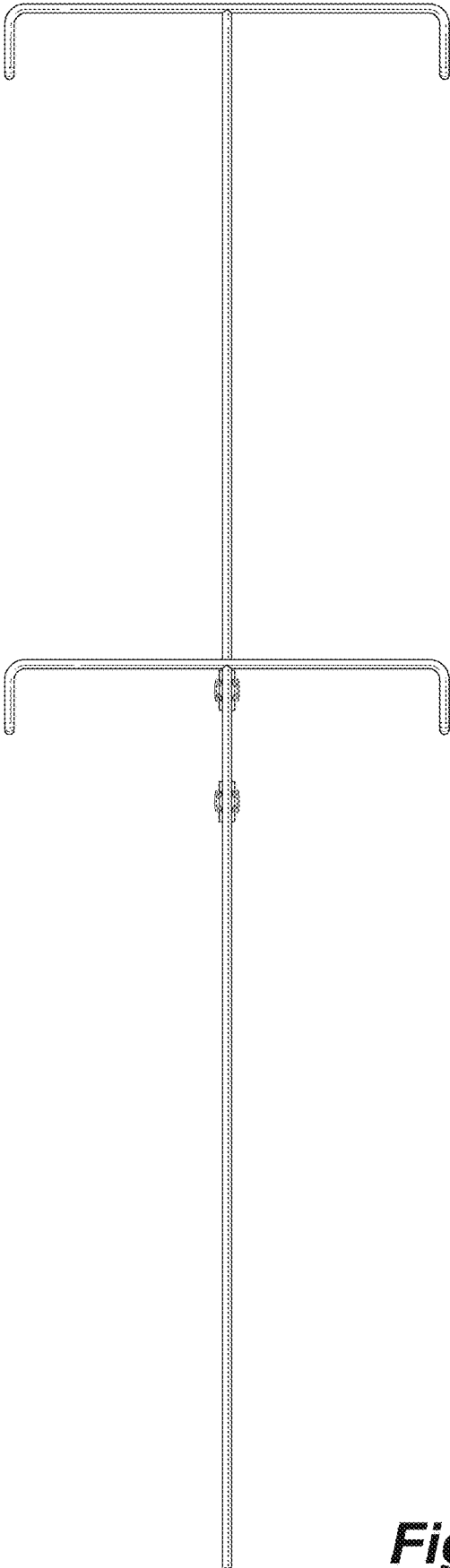


Fig. 3

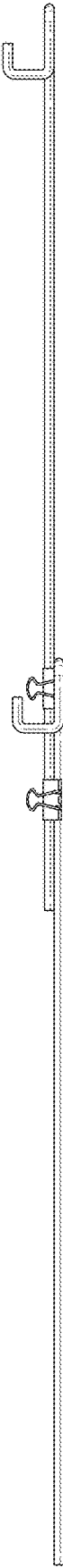


Fig. 4

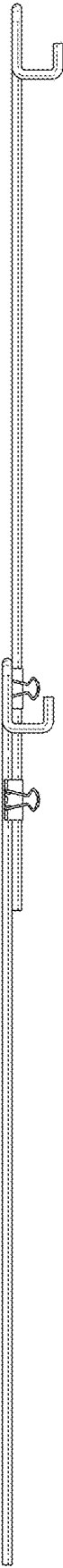


Fig. 5

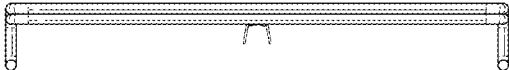


Fig. 6

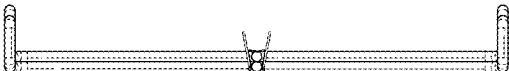


Fig. 7