



US00D375792S

# United States Patent [19]

[11] Patent Number: Des. 375,792

Hillman et al.

[45] Date of Patent: \*\*Nov. 19, 1996

[54] **HAND-HELD MEDICAL MONITORING INSTRUMENT**

5,096,669 3/1991 Lauks et al. .... D24/169

[75] Inventors: **Jack L. Hillman**, Castle Rock; **William C. Hunt**, Boulder; **Julie A. Reichert**, Aurora; **Rodney E. Ward**, Longmont, all of Colo.

*Primary Examiner*—Louis S. Zarfes

*Assistant Examiner*—I. Simmons

*Attorney, Agent, or Firm*—Roger M. Rathbun; R. Hain Swope; James M. Graziano

[73] Assignee: **Ohmeda Inc.**, Liberty Corner, N.J.

[57] **CLAIM**

[\*\*] Term: **14 Years**

The ornamental design for a hand-held medical monitoring instrument, as shown and described.

[21] Appl. No.: **28,956**

**DESCRIPTION**

[22] Filed: **Sep. 26, 1994**

[52] U.S. Cl. .... **D24/186**; D24/169

[58] **Field of Search** ..... D24/169, 185, D24/186, 237, 165; D10/78; 128/670, 671, 630, 668, 695, 696, 713, 716

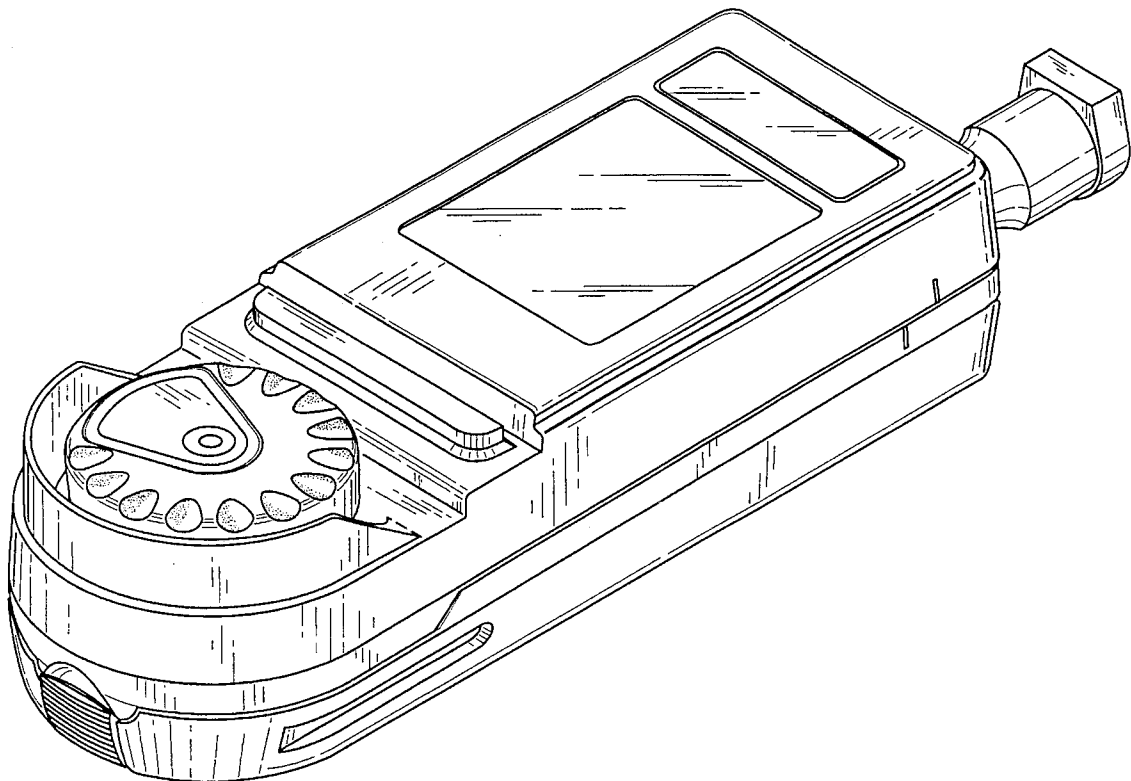
FIG. 1 is a perspective view of the hand-held medical monitoring instrument;  
FIG. 2 is a right side view of the hand-held medical monitoring instrument;  
FIG. 3 is a connector end view of the hand-held medical monitoring instrument;  
FIG. 4 is an end view of the hand-held medical monitoring instrument;  
FIG. 5 is a top view of the hand-held medical monitoring instrument;  
FIG. 6 is a bottom view of the hand-held medical monitoring instrument; and,  
FIG. 7 is a left side view of the hand-held medical monitoring instrument.

[56] **References Cited**

**U.S. PATENT DOCUMENTS**

D. 318,331	7/1991	Phillips et al. ....	D24/169
D. 331,286	11/1992	Cameron et al. ....	D24/169
D. 351,910	10/1994	Anderson et al. ....	D24/169
4,981,139	1/1991	Pfohl .....	D24/186 X
4,982,738	1/1991	Griebel .....	128/716 X
5,066,859	11/1991	Karkar et al. ....	D24/169

**1 Claim, 4 Drawing Sheets**



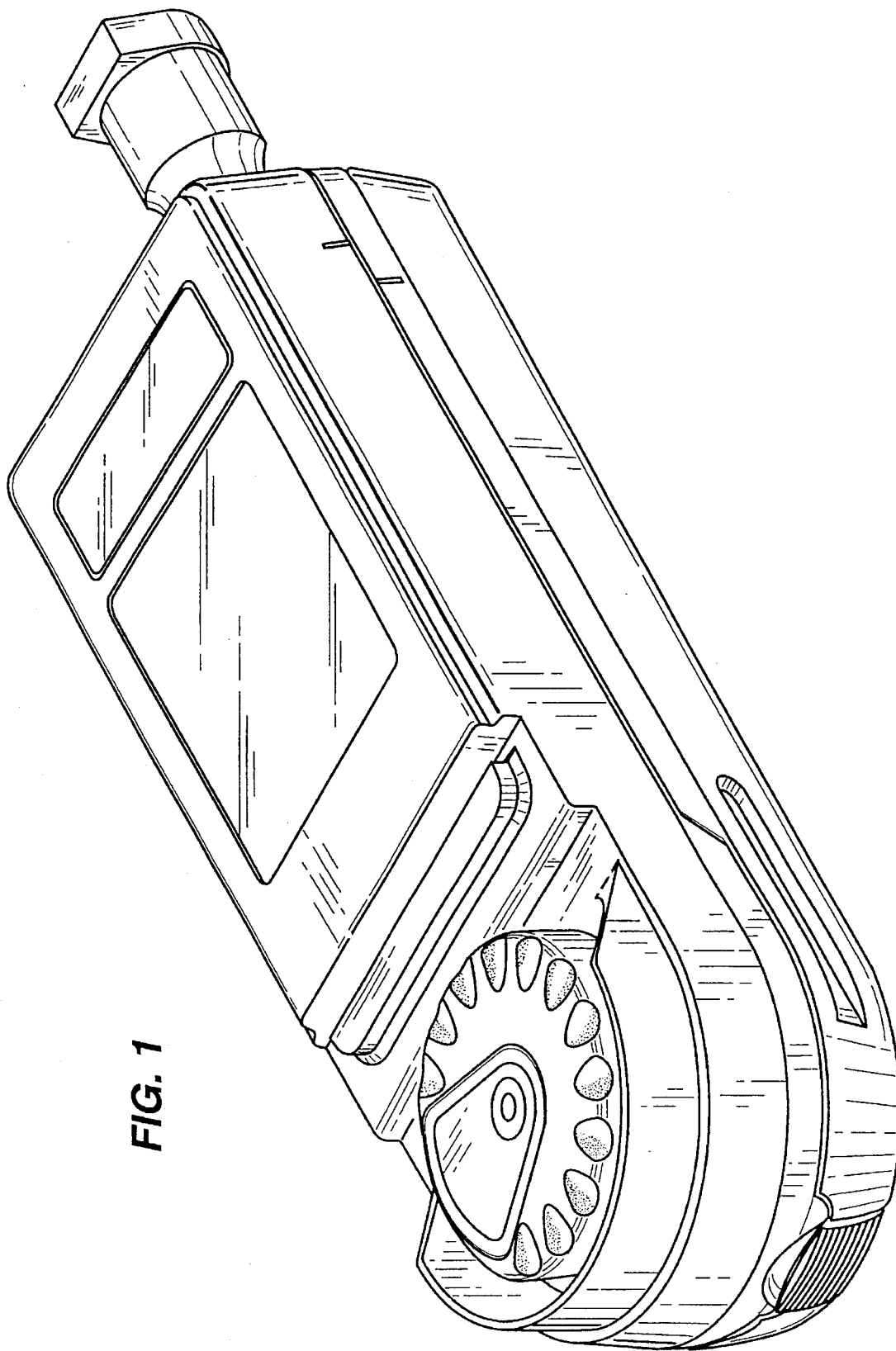


FIG. 1

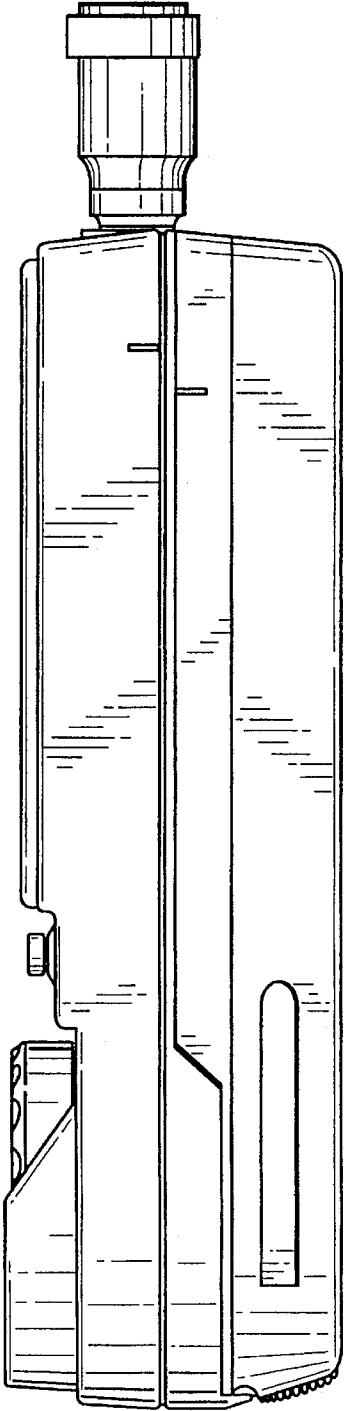


FIG. 2

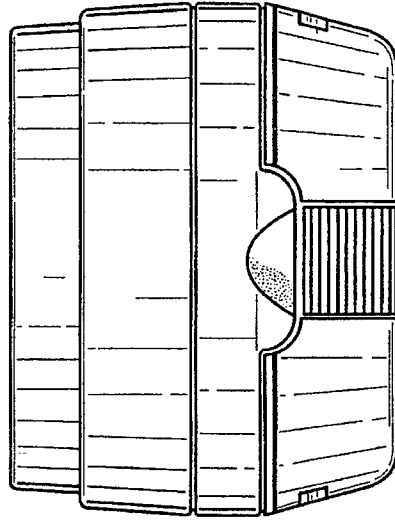


FIG. 4

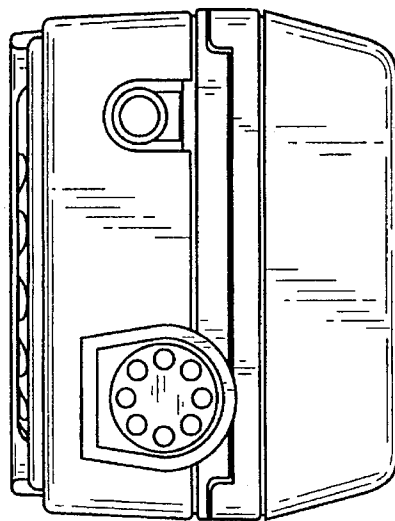
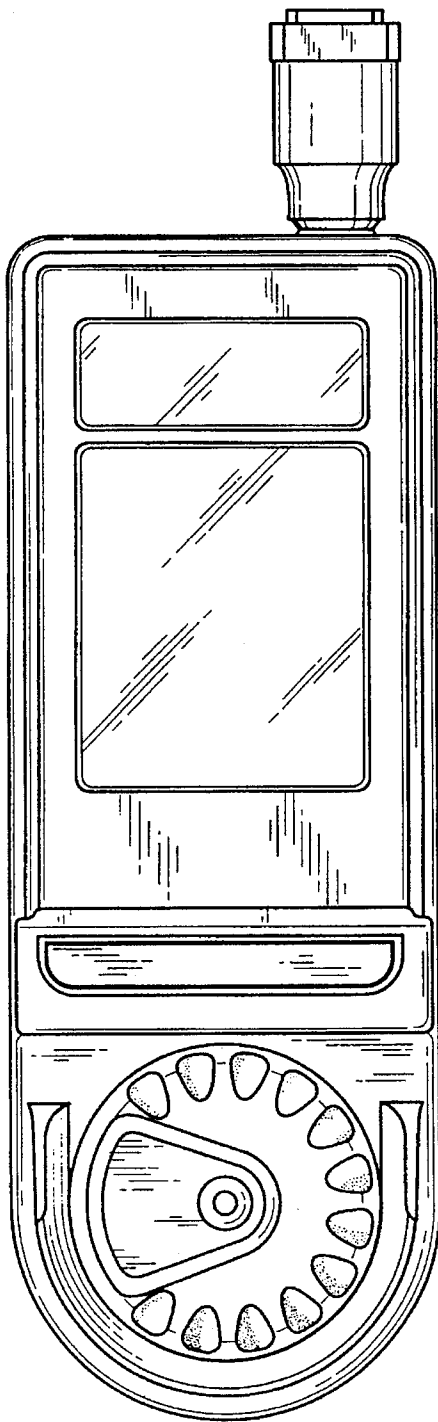
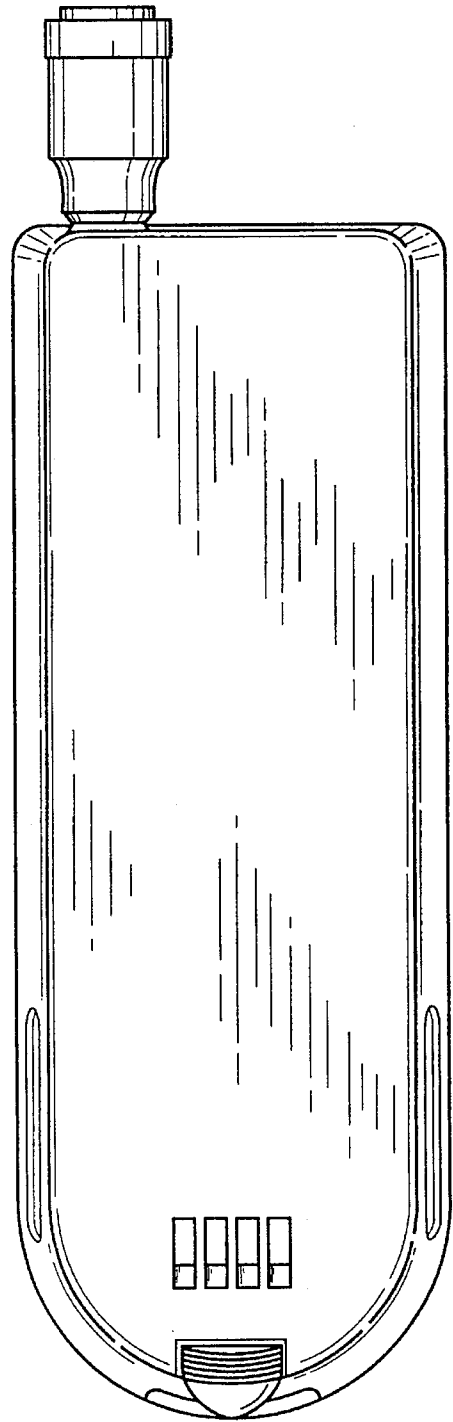


FIG. 3



**FIG. 5**



**FIG. 6**

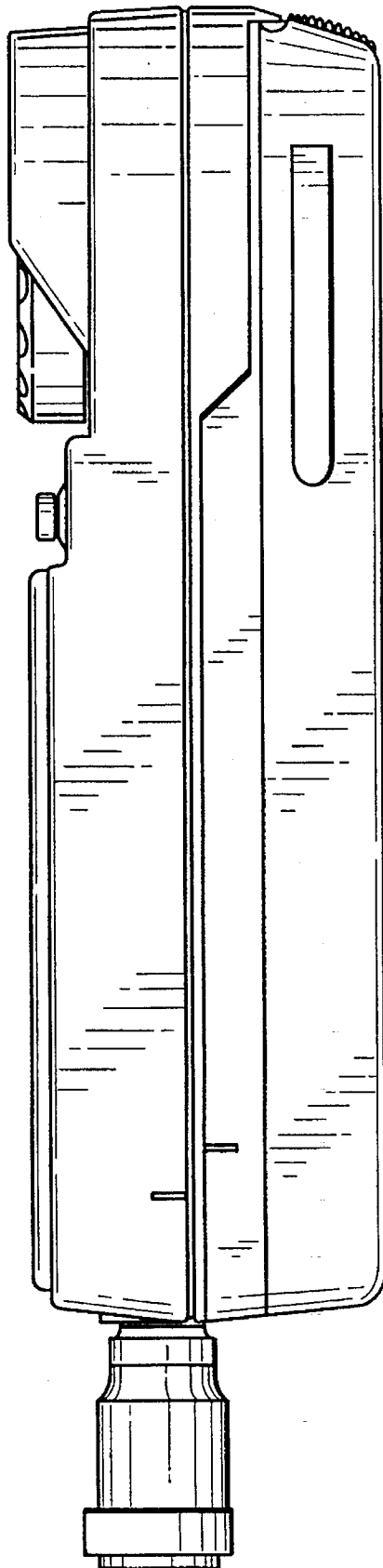


FIG. 7