



US00D770801S

(12) **United States Design Patent**
Goodman et al.

(10) **Patent No.:** **US D770,801 S**

(45) **Date of Patent:** **** Nov. 8, 2016**

(54) **TOWEL BAR AND BASKET**

(71) Applicant: **Spectrum Diversified Designs, Inc.**,
Streetsboro, OH (US)

(72) Inventors: **Sheldon H. Goodman**, Solon, OH
(US); **Phaysouk Xayoiphonh**, Akron,
OH (US); **Wenyue Wang**, Stow, OH
(US)

(73) Assignee: **Spectrum Diversified Designs, LLC**,
Streetsboro, OH (US)

(**) Term: **15 Years**

(21) Appl. No.: **29/536,682**

(22) Filed: **Aug. 19, 2015**

(51) **LOC (10) Cl.** **06-04**

(52) **U.S. Cl.**
USPC **D6/549**

(58) **Field of Classification Search**
USPC D6/546-550, 512-525; D8/300,
D8/315-321, 354, 363, 373, 380;
211/13.1, 16, 85.5, 86.01, 87.01,
211/88.04, 100, 105.1, 105.2, 106, 113,
211/123, 181.1, 182-183; 242/570, 590,
242/595-598; 248/49, 175, 176.1, 200,
248/201, 205.1, 251, 302, 309.1, 315
CPC A47K 10/383; A47K 10/38; A47K 17/00;
A47K 3/281; B23P 17/04; A47B 57/265;
A47B 57/565; A47B 57/26

See application file for complete search history.

(56) **References Cited**

U.S. PATENT DOCUMENTS

D485,464 S * 1/2004 Clucas D6/549
D718,054 S * 11/2014 Goodman D3/306

D720,538 S * 1/2015 Goodman D3/304
D751,763 S * 3/2016 Goodman D26/38
D751,766 S * 3/2016 Goodman D28/38
D764,171 S * 8/2016 Goodman D3/306
2015/0257533 A1 * 9/2015 Yang B65D 25/04
220/4.01

* cited by examiner

Primary Examiner — Wan Laymon

Assistant Examiner — Mark Booker

(74) *Attorney, Agent, or Firm* — Renner, Otto, Boisselle
& Sklar, LLP

(57) **CLAIM**

The ornamental design for a towel bar and basket, as shown
and described.

DESCRIPTION

FIG. 1 is a perspective view of a towel bar and basket
showing our new design.

FIG. 2 is a front view thereof.

FIG. 3 is a rear view thereof.

FIG. 4 is a side view thereof, the opposite side view being
a mirror image thereof.

FIG. 5 is a top view thereof.

FIG. 6 is a bottom view thereof.

FIG. 7 is a perspective view of another embodiment of a
towel bar and basket.

FIG. 8 is a front view thereof.

FIG. 9 is a rear view thereof.

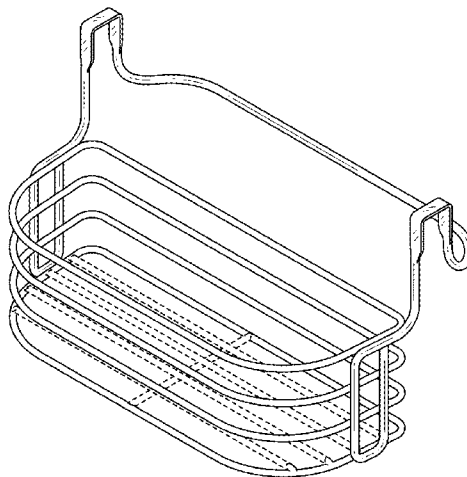
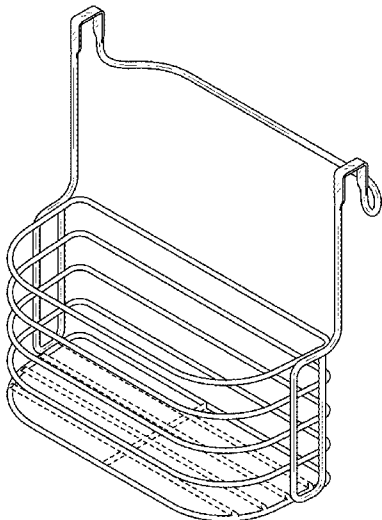
FIG. 10 is a side view thereof, the opposite side view being
a mirror image thereof.

FIG. 11 is a top view thereof; and,

FIG. 12 is bottom view thereof.

The broken lines shown in the figures represent portions of
the towel bar and basket that form no part of the claimed
design.

1 Claim, 8 Drawing Sheets



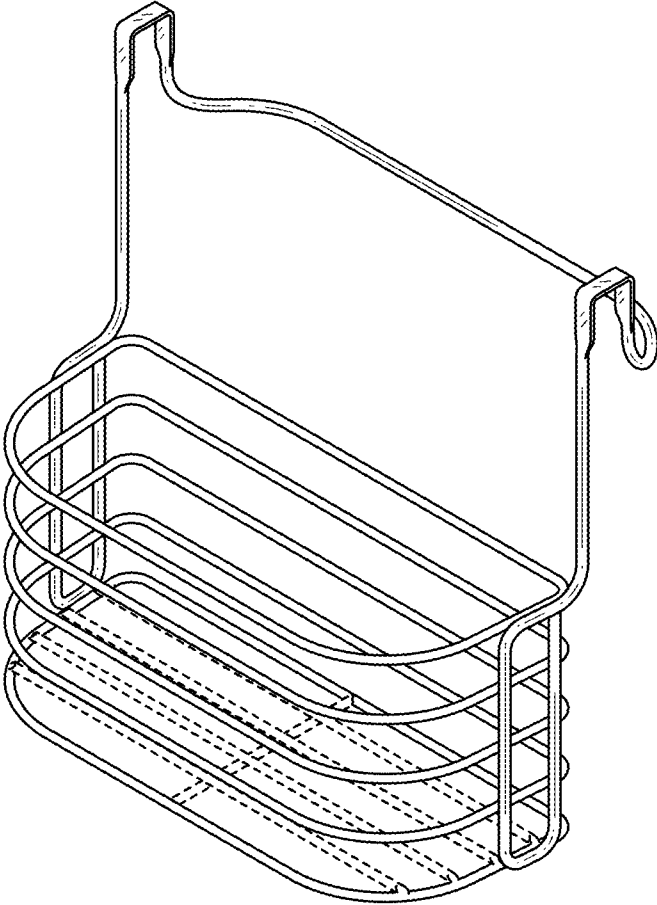


FIG. 1

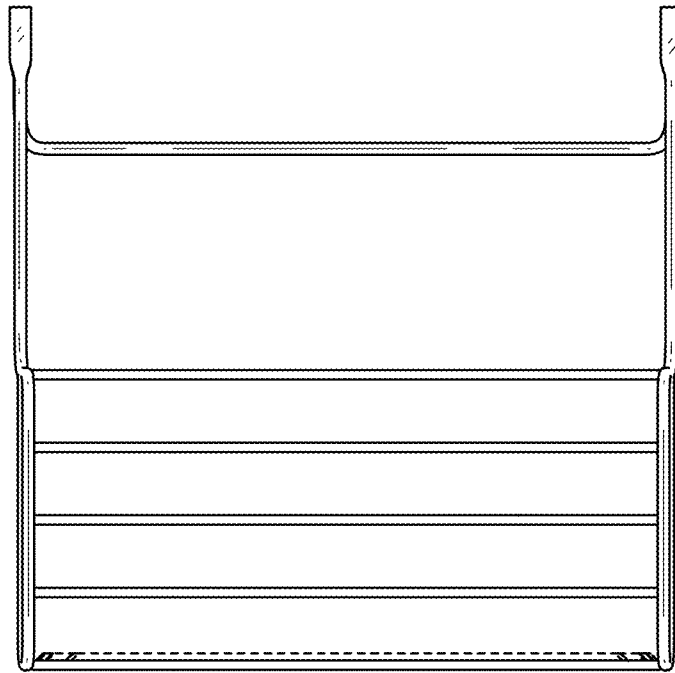


FIG. 2

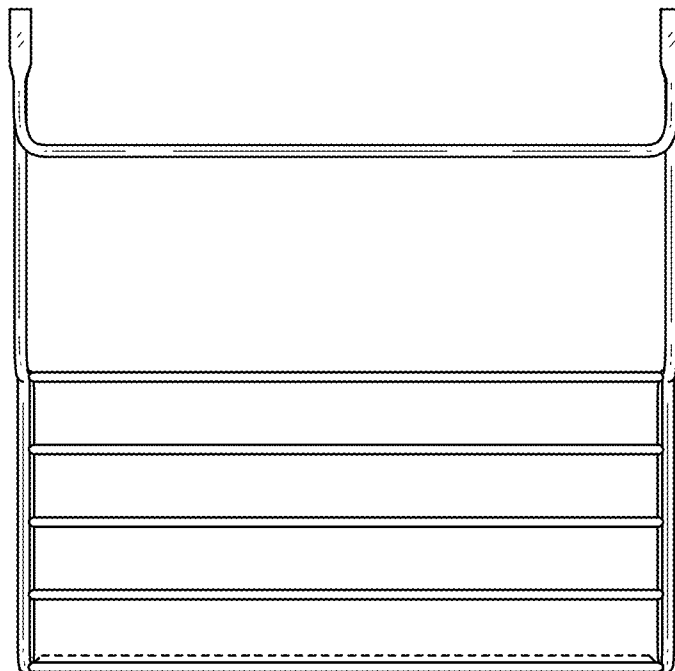


FIG. 3

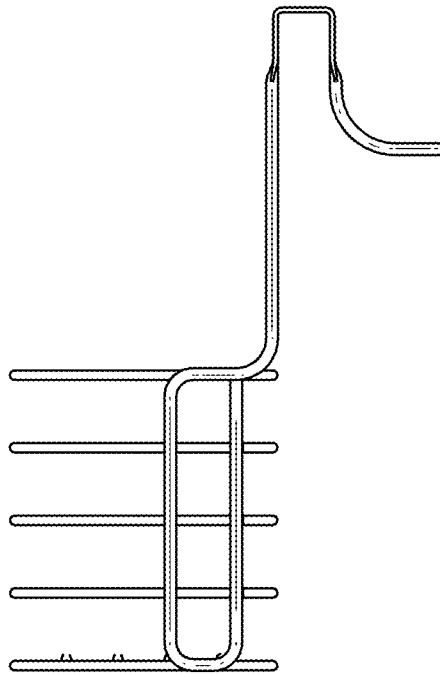


FIG. 4

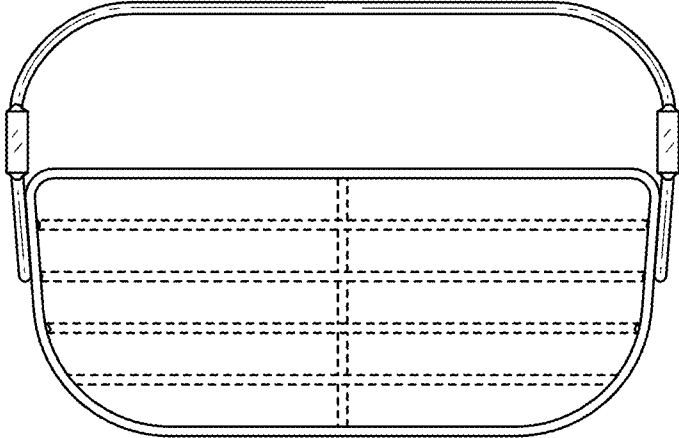


FIG. 5

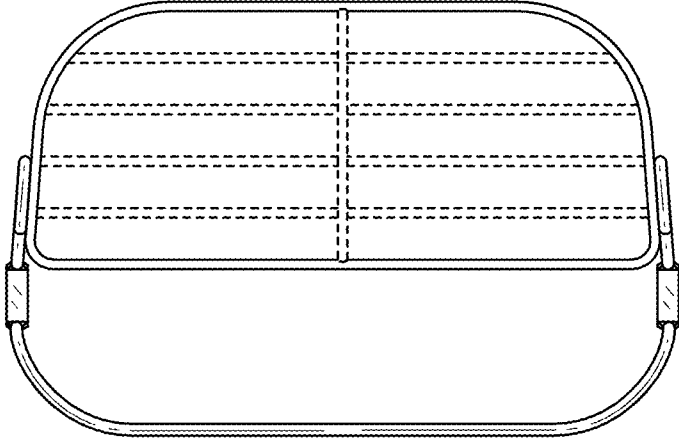


FIG. 6

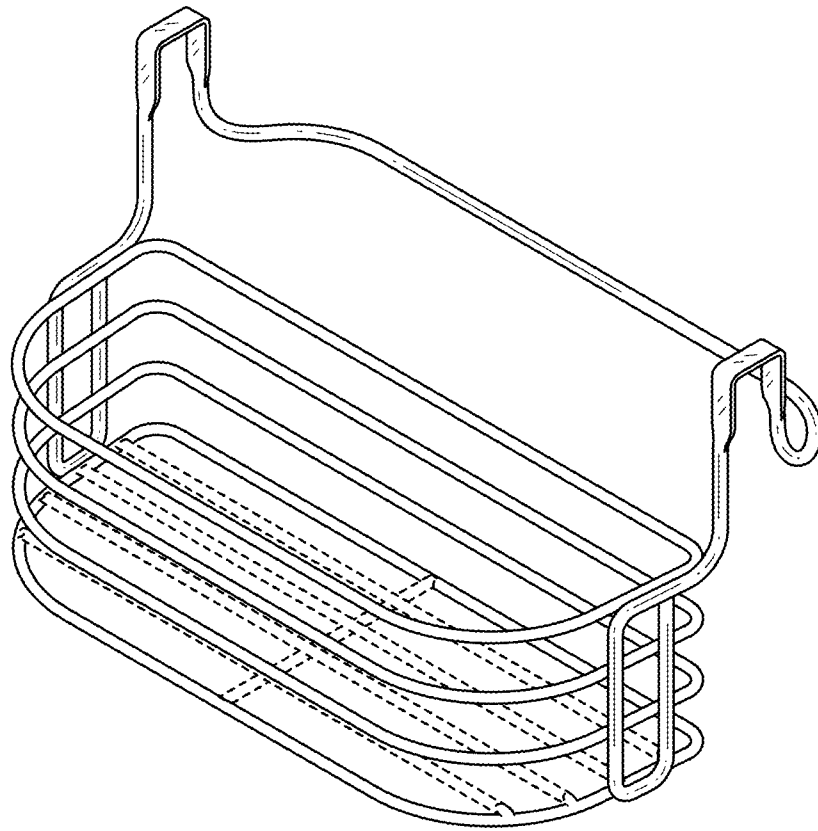


FIG. 7

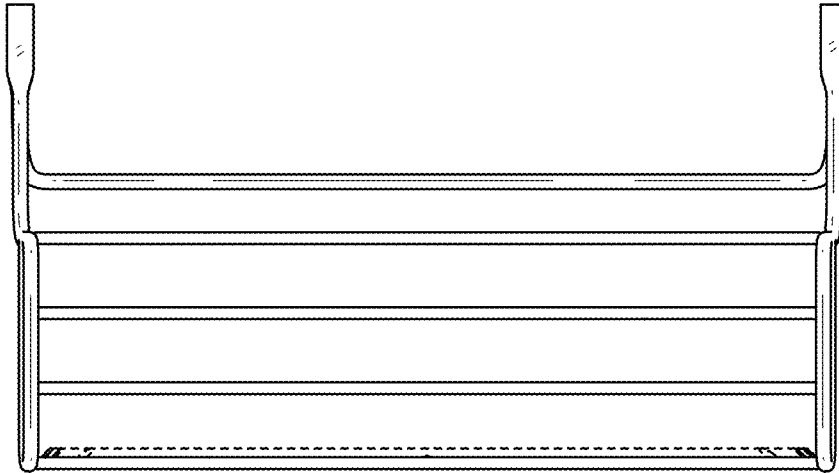


FIG. 8

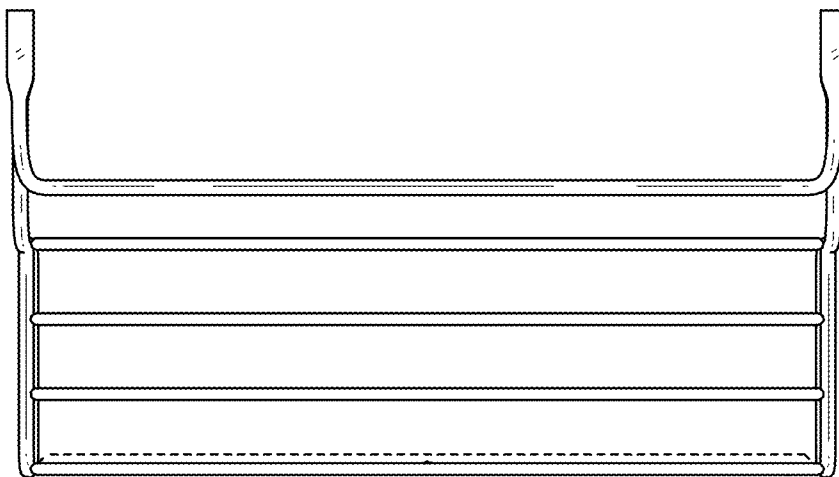


FIG. 9

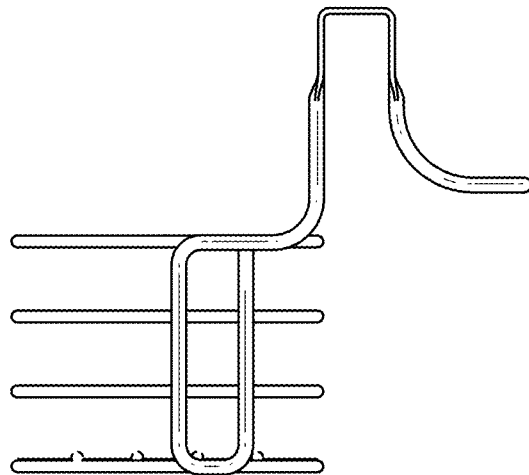


FIG. 10

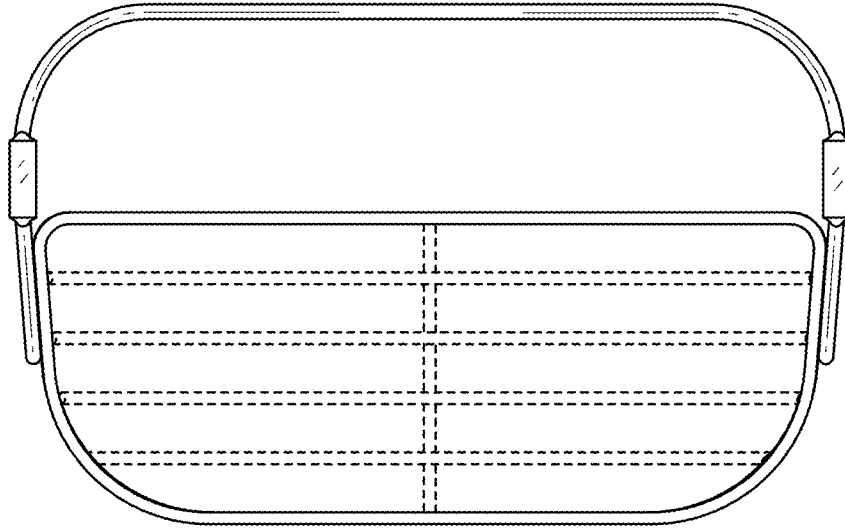


FIG. 11

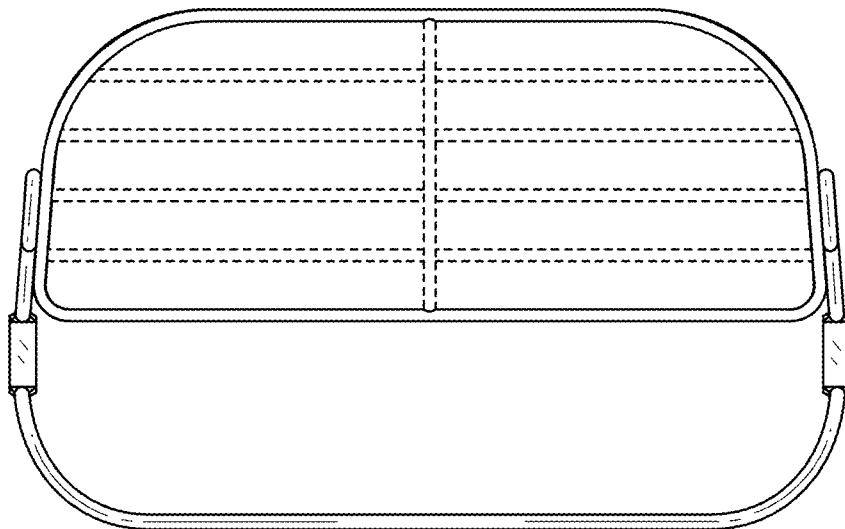


FIG. 12