



US00D461120S

(12) **United States Design Patent** (10) **Patent No.:** **US D461,120 S**  
**Ostro** (45) **Date of Patent:** **\*\* Aug. 6, 2002**

(54) **BOX**

(75) Inventor: **Maurice Samuel Ostro**, London (GB)

(73) Assignee: **Glasay International PLC**, London (GB)

(\*\*) Term: **14 Years**

(21) Appl. No.: **29/143,126**

(22) Filed: **Jun. 7, 2001**

(51) **LOC (7) Cl.** ..... **09-03**

(52) **U.S. Cl.** ..... **D9/341**

(58) **Field of Search** ..... D9/341, 344, 346,  
D9/416, 420, 432, 499; 206/214-215, 216,  
445, 494, 527; 220/4.01, 23.83, 23.87,  
23.88, 23.9, 200, 212, 62.11, 500, 501,  
507, 528-529, 553, 890; 229/103, 120.02-120.04,  
122.32, 124, 190, 800

(56) **References Cited**

**U.S. PATENT DOCUMENTS**

1,098,322 A \* 5/1914 Johnson  
1,433,560 A \* 10/1922 Lund  
2,130,488 A \* 9/1938 Funk ..... 229/23  
4,251,006 A \* 2/1981 Smith ..... 220/553  
5,011,018 A \* 4/1991 Keffeler ..... 206/532  
5,484,078 A \* 1/1996 Bronovicki ..... 220/531

**FOREIGN PATENT DOCUMENTS**

GB 2073282 9/1998

**OTHER PUBLICATIONS**

"Designs in Review" (U.K. Patent Office), No. 51, p. 8 (Oct. 14, 1998).

\* cited by examiner

*Primary Examiner*—Ted Shooman

*Assistant Examiner*—Daniel Bui

(74) *Attorney, Agent, or Firm*—Fish & Richardson P.C.

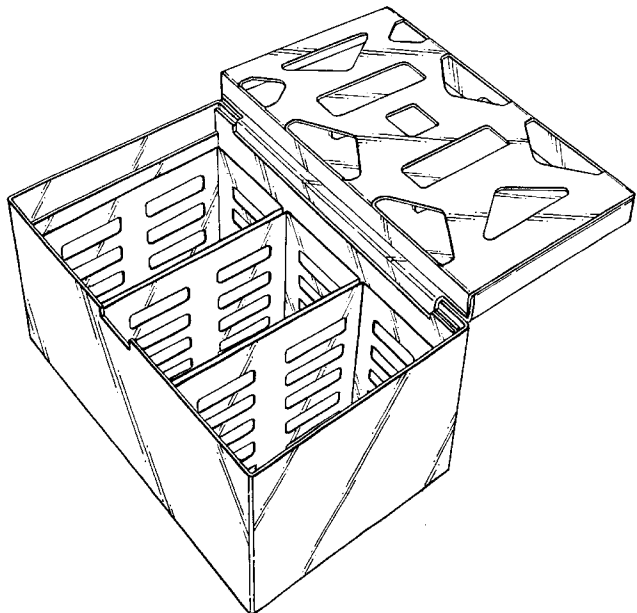
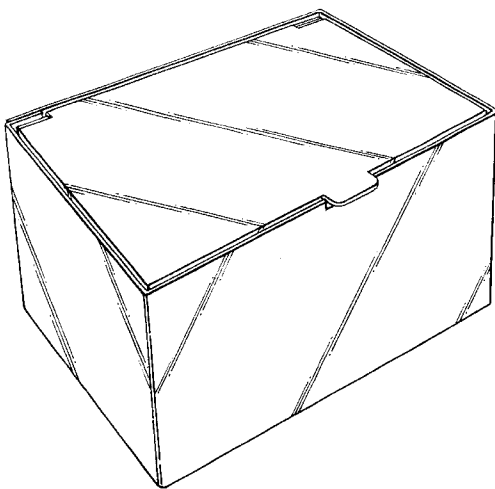
(57) **CLAIM**

The ornamental design for a box, as shown and described.

**DESCRIPTION**

FIG. 1 is a perspective view of a box of the invention; FIG. 2 is a reverse perspective view of the box of FIG. 1, with the lid open; FIG. 3 is a top plan view of the box of FIG. 2, with the lid open; FIG. 4 is a left side view of the box of FIG. 1, with the lid closed; FIG. 5 is a right side view of the box of FIG. 1; FIG. 6 is a front elevation view of the box of FIG. 1; FIG. 7 is a rear elevation view of the box of FIG. 1; FIG. 8 is a top plan view of the box of FIG. 1; and, FIG. 9 is a bottom plan view of the box of FIG. 1.

**1 Claim, 6 Drawing Sheets**



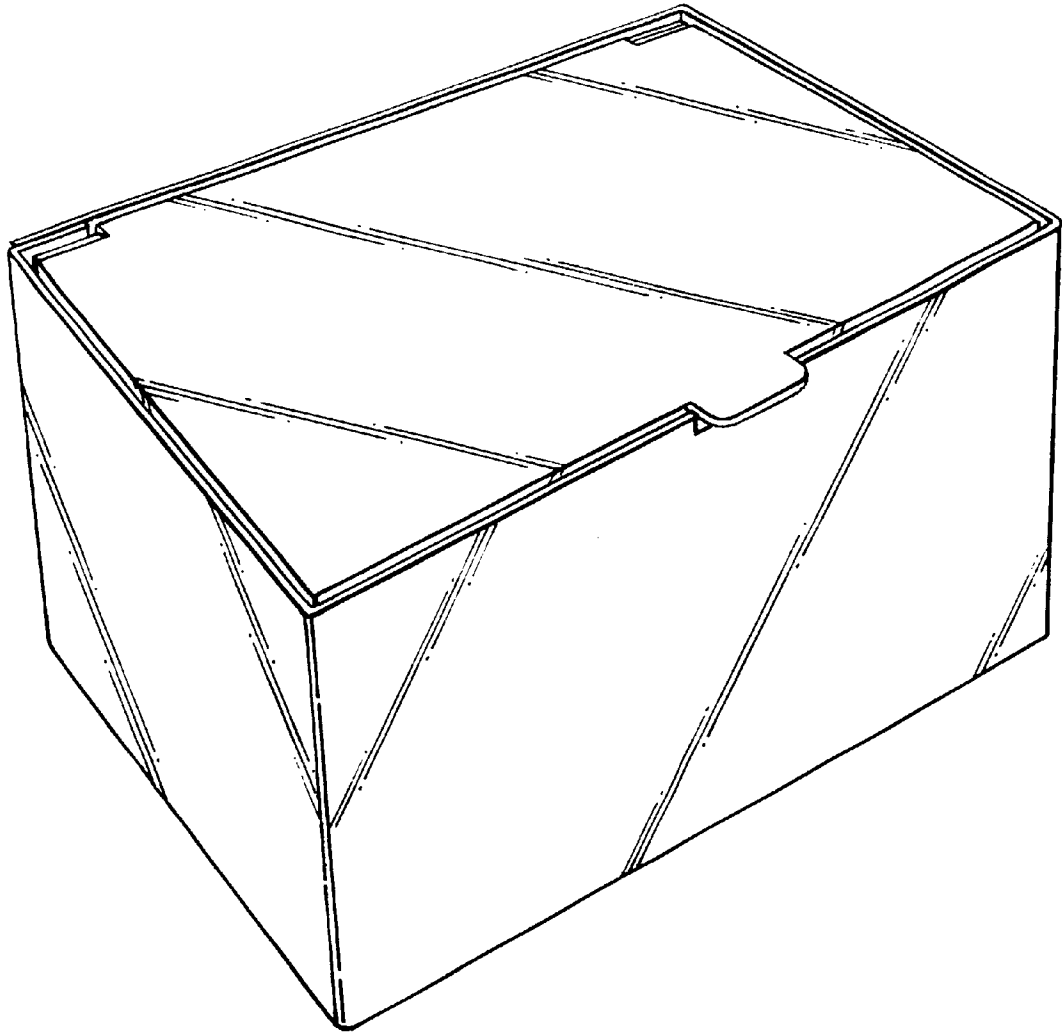


FIG. 1

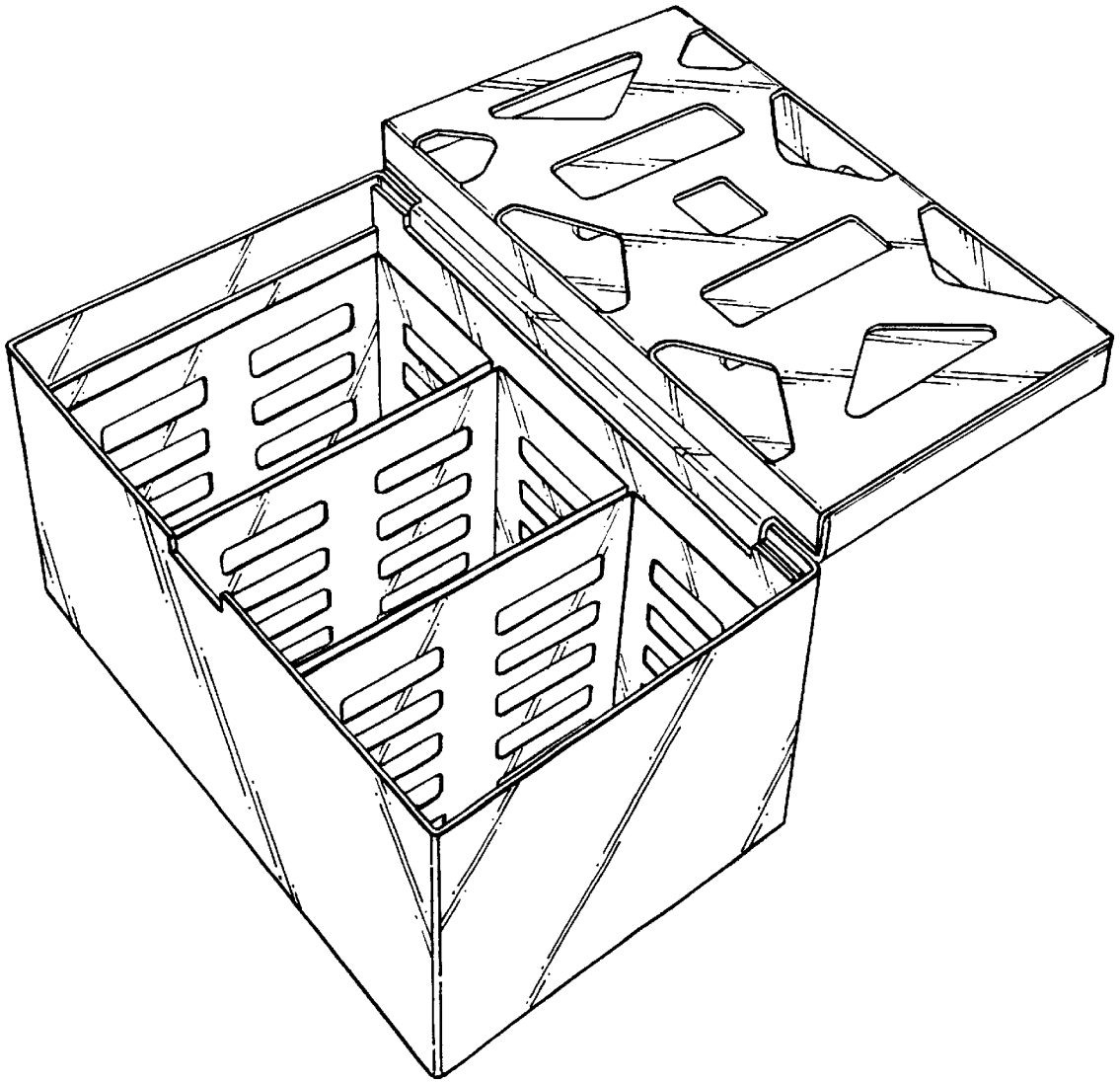


FIG. 2

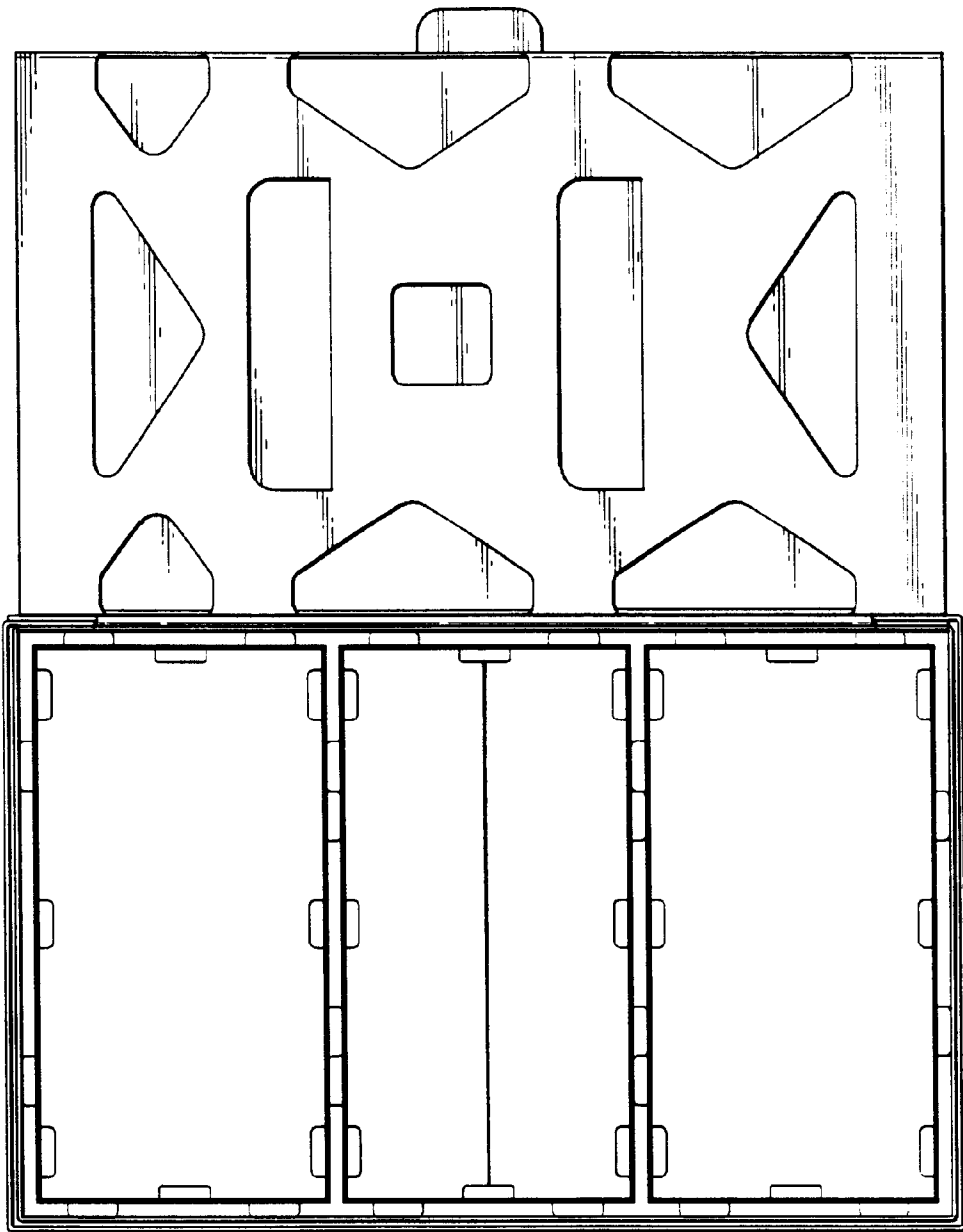


FIG. 3

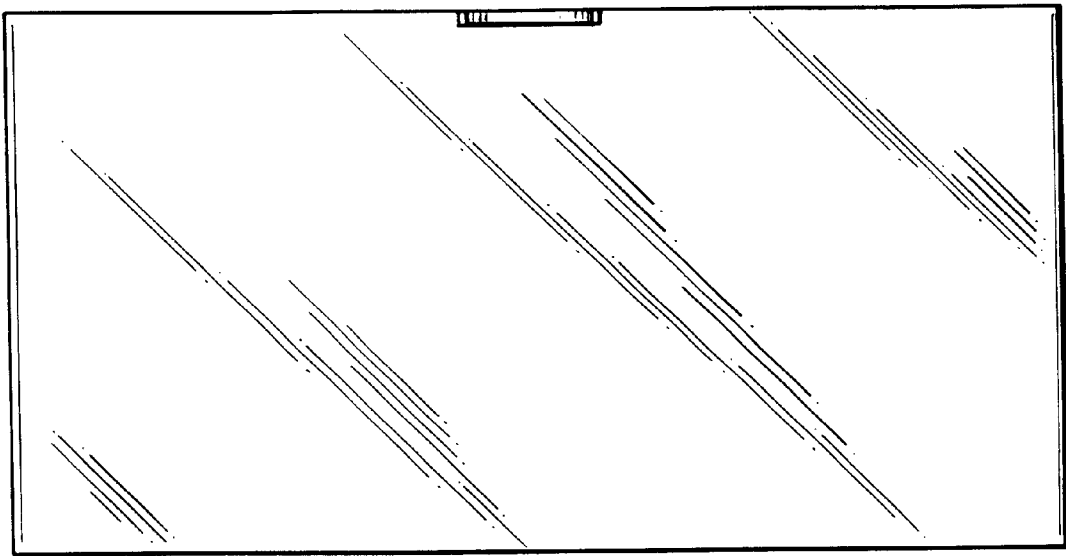


FIG. 4

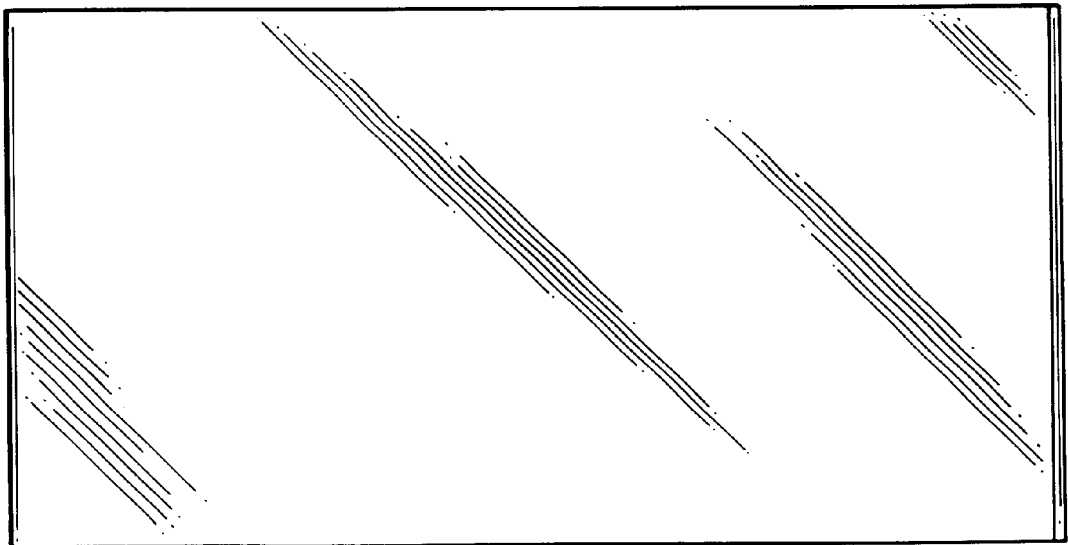


FIG. 5

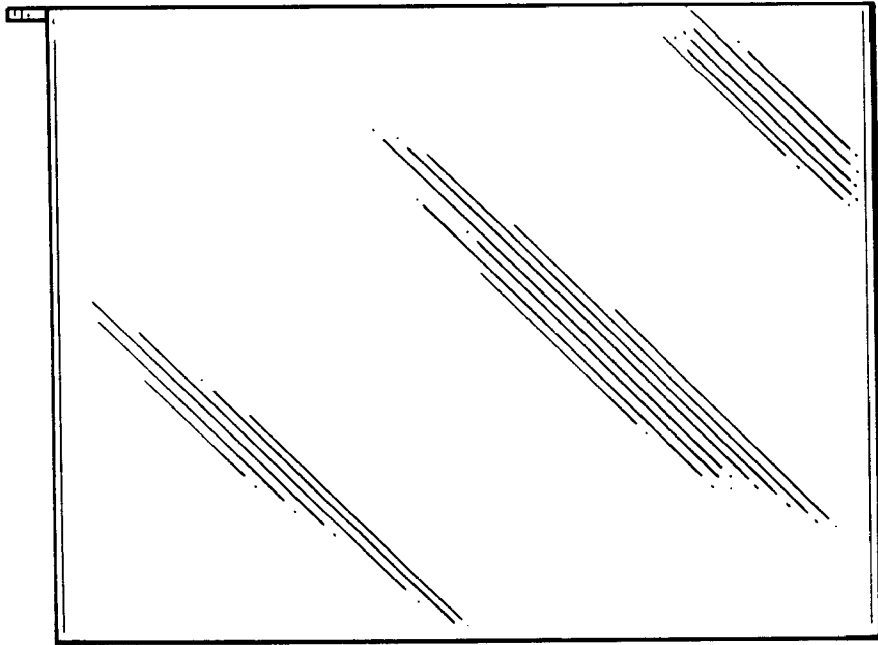


FIG. 6

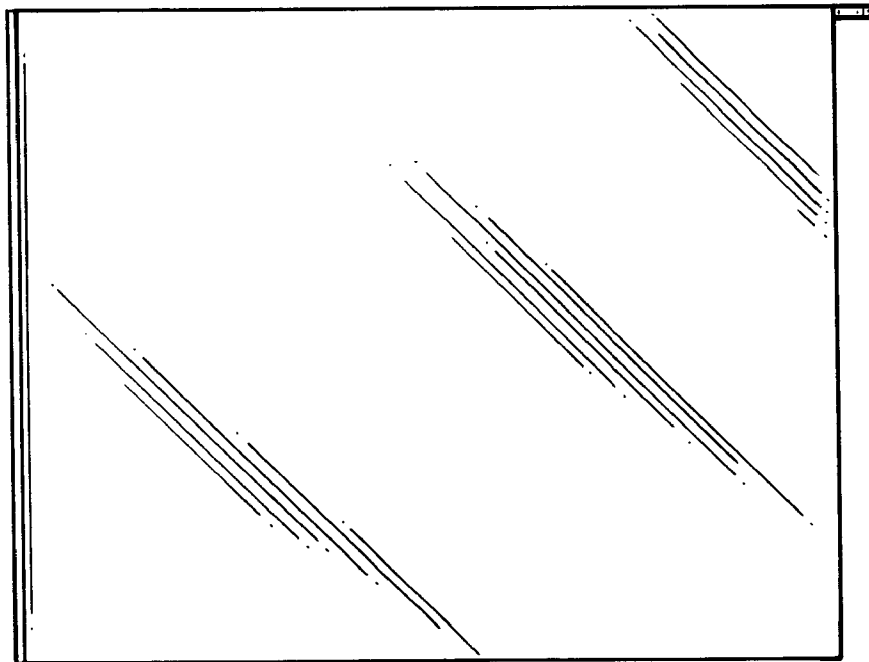


FIG. 7

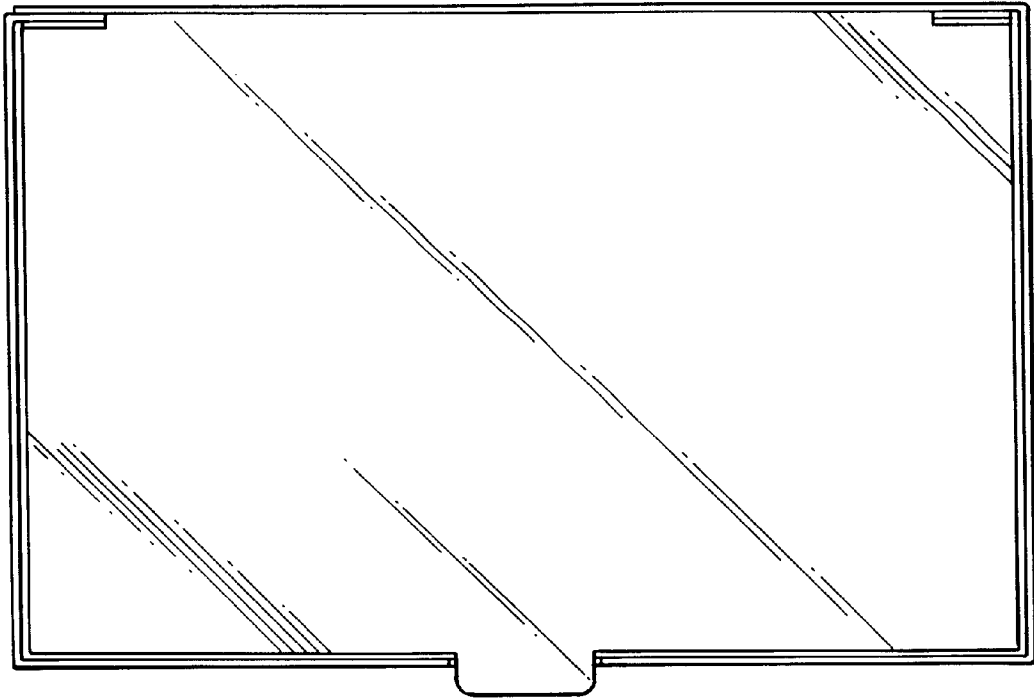


FIG. 8

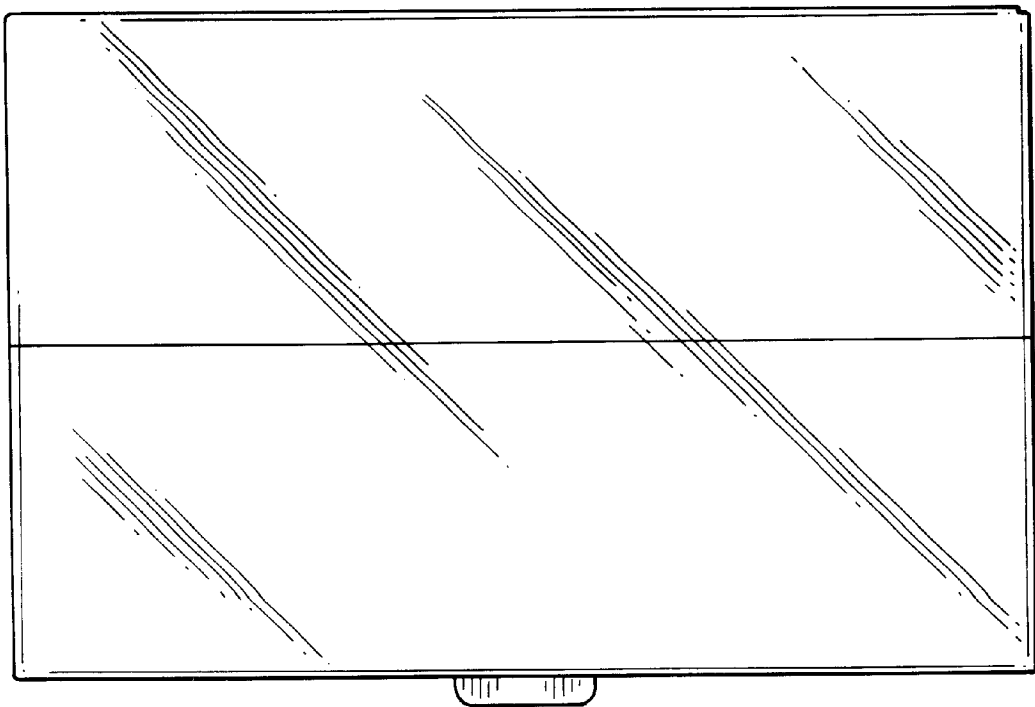


FIG. 9