



US00D367254S

United States Patent [19]
Lince

[11] **Patent Number:** **Des. 367,254**
[45] **Date of Patent:** ****Feb. 20, 1996**

[54] **CAR SEAT BOTTLE HOLDER**

[76] Inventor: **Lori B. Lince**, 1091 Forest Lake Blvd.,
Lake Orion, Mich. 48362

[**] Term: **14 Years**

[21] Appl. No.: **26,841**

[22] Filed: **Aug. 8, 1994**

[52] **U.S. Cl.** **D12/411; D7/620**

[58] **Field of Search** **D12/411; D7/619,**
D7/620; 297/188.17; 248/102, 105, 311.2,
65, 69-70, 73, 74.1-74.2; D8/380

[56] **References Cited**

U.S. PATENT DOCUMENTS

D. 298,915	12/1988	Rowley et al.	D8/380
4,296,902	10/1981	Dachtler	248/102
4,474,354	10/1984	Field	248/311.2 X
4,513,935	4/1985	Aguirre	248/105
4,953,816	9/1990	Wilkinson	248/102

Primary Examiner—A. Hugo Word
Assistant Examiner—Holly Baynham
Attorney, Agent, or Firm—James A. Hudak

[57] **CLAIM**

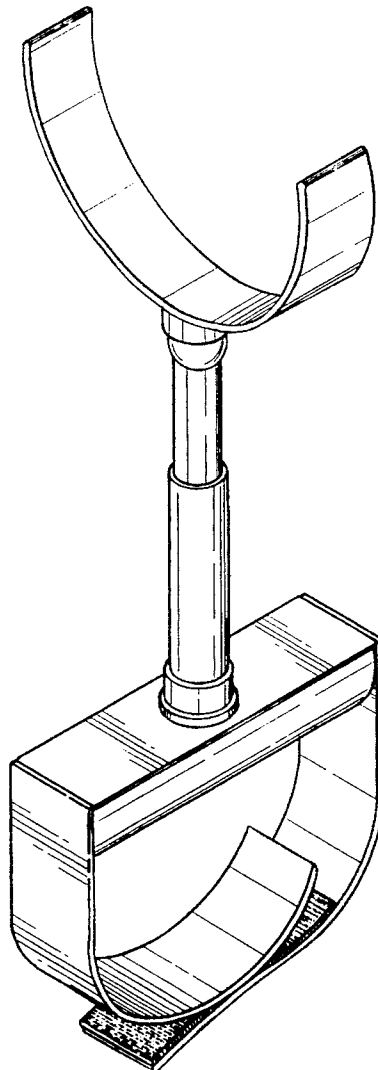
The ornamental design for a car seat bottle holder, as shown and described.

DESCRIPTION

FIG. 1 is a perspective view of the car seat bottle holder showing my new design;
FIG. 2 is a front elevational view thereof, the rear elevational view being a mirror image of the view shown in this Figure;
FIG. 3 is a left side elevational view thereof;
FIG. 4 is a right side elevational view thereof;
FIG. 5 is a top plan view thereof; and,
FIG. 6 is a bottom plan view thereof.

The contrasting shading on the inner strap portion represents an adhering surface.

1 Claim, 4 Drawing Sheets



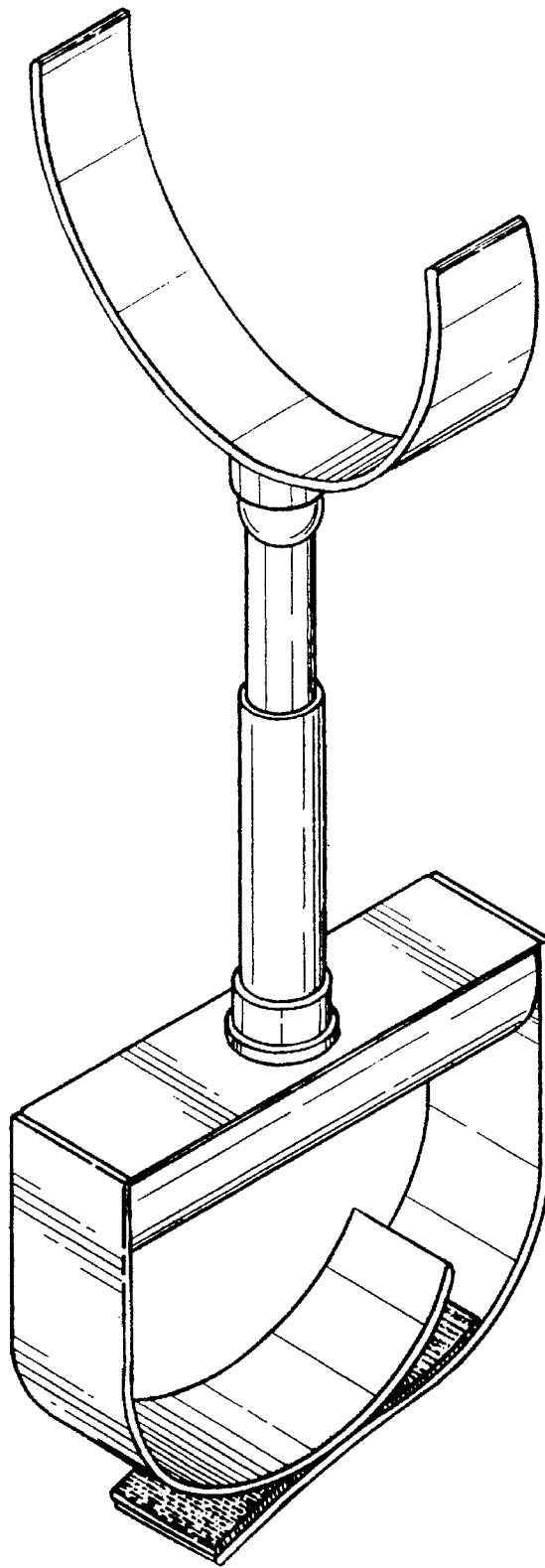


FIG. 1

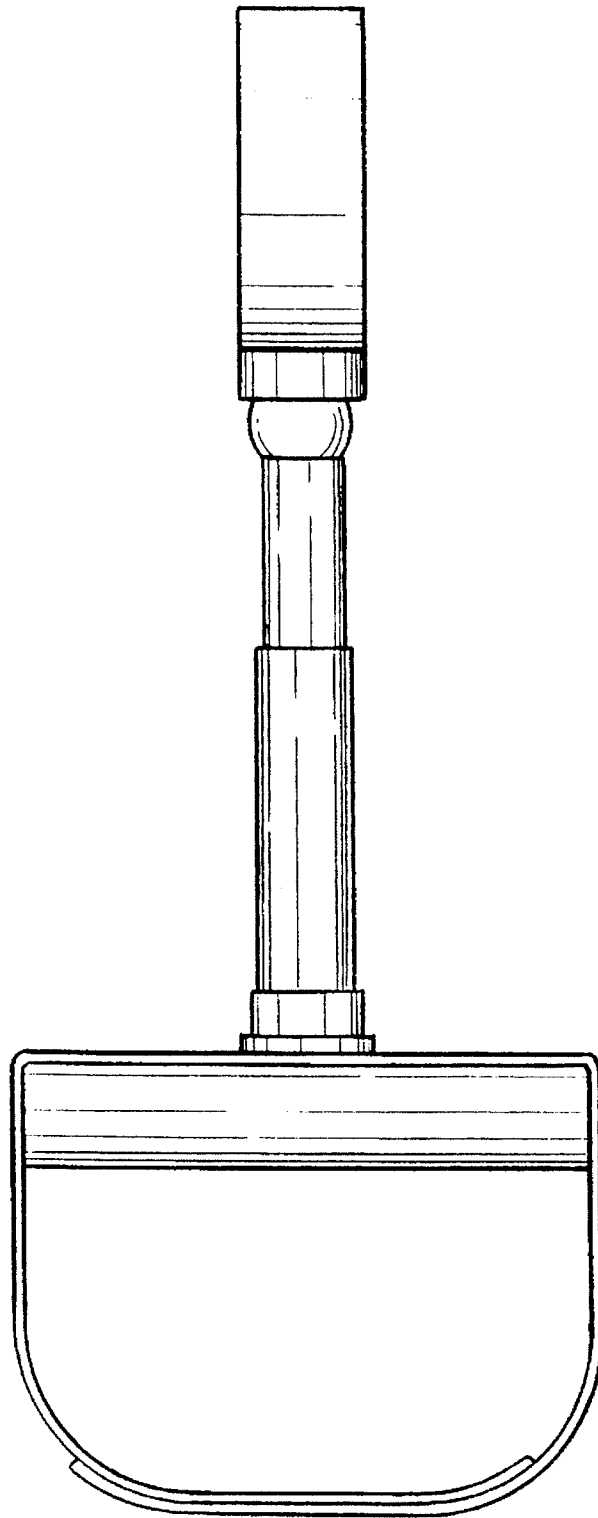


FIG. 2

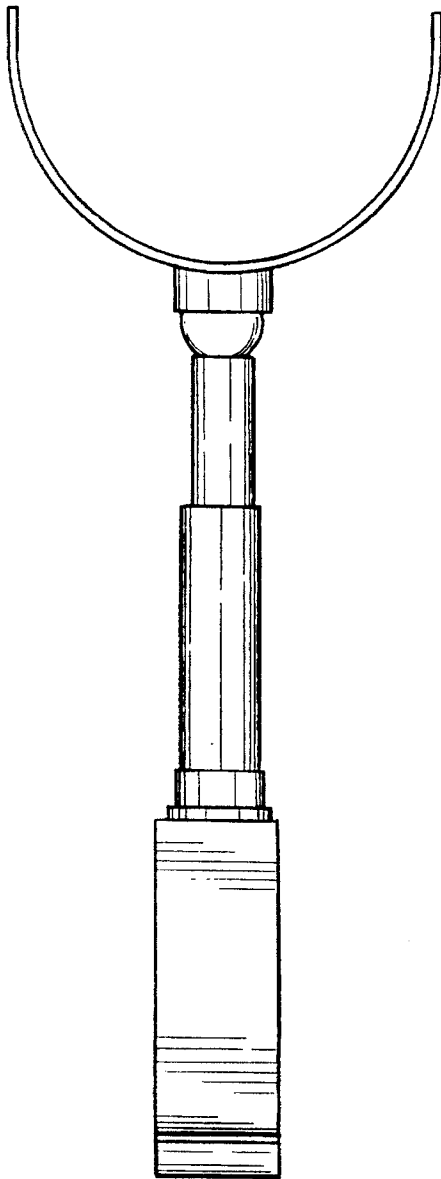


FIG. 3

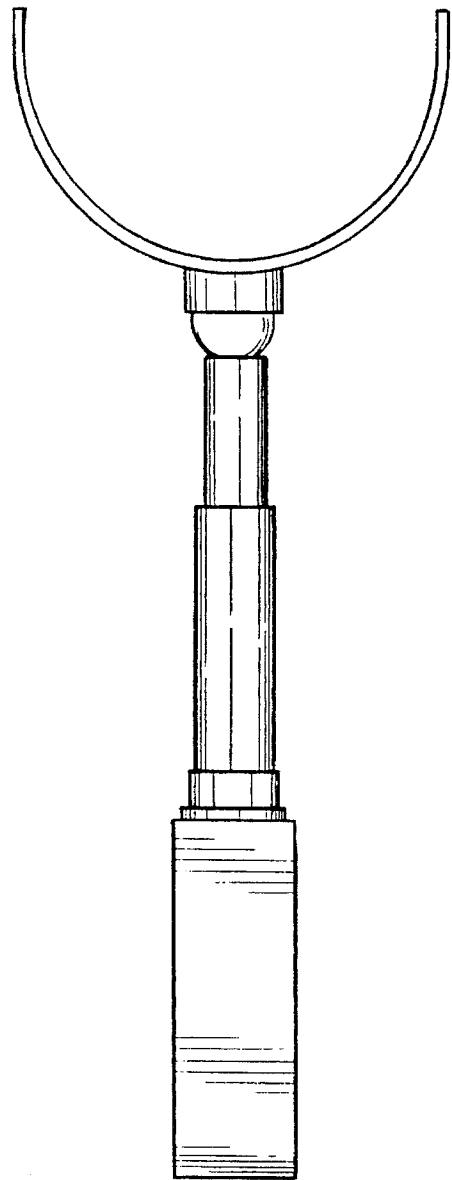


FIG. 4

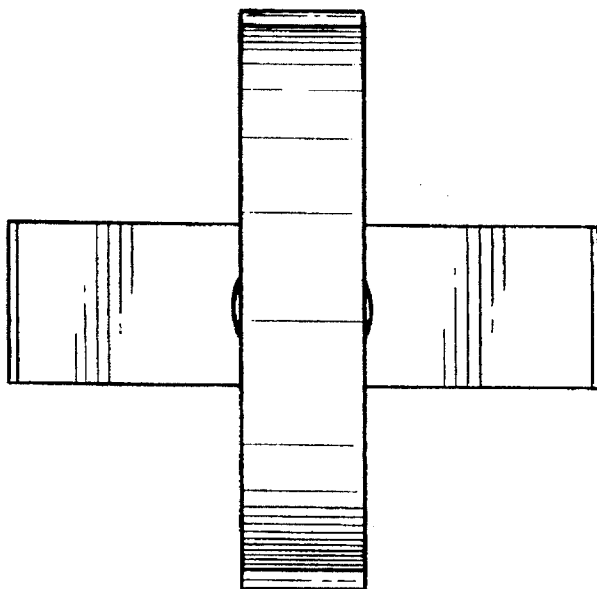


FIG. 5

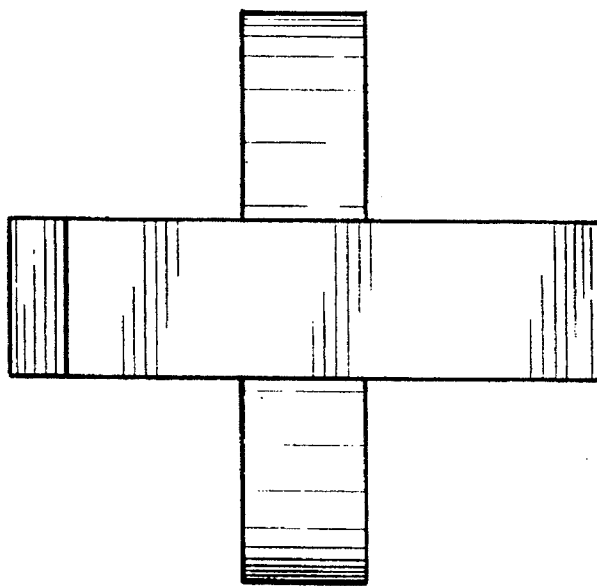


FIG. 6