



US0D1077461S

(12) **United States Design Patent**
Breines

(10) **Patent No.:** **US D1,077,461 S**

(45) **Date of Patent:** **** Jun. 3, 2025**

(54) **CASE**

(71) Applicant: **Robert Breines**, Westlake Village, CA (US)

(72) Inventor: **Robert Breines**, Westlake Village, CA (US)

(**) Term: **15 Years**

(21) Appl. No.: **29/948,048**

(22) Filed: **Jun. 19, 2024**

(51) **LOC (15) Cl.** **03-01**

(52) **U.S. Cl.**
USPC **D3/203.6; D3/285**

(58) **Field of Classification Search**
USPC D3/200, 201, 203.1, 203.2, 203.3, 203.6, D3/203.7, 232, 233, 270, 273, 274, 276, D3/279, 294, 295, 299, 301, 302, 304, D3/305, 313, 314, 318, 319, 902, 903, D3/905, 285; D6/657, 659, 662.1, 672, D6/675, 675.3; D7/601, 602, 603, 609, D7/635; D9/629, 631, 668; D24/224-227, 229; D99/28; D13/107, D13/108, 184; D14/203.2, 203.4, 204, D14/205, 223, 508
CPC .. A45C 5/00; A45C 5/005; A45C 5/03; A45C 5/14; A47G 19/30; A47G 29/00; A47L 13/51; A61J 1/03; A63F 2003/00943
See application file for complete search history.

(56) **References Cited**

U.S. PATENT DOCUMENTS

D240,468 S * 7/1976 Ainslie D3/268
D330,113 S * 10/1992 Faust D3/901

(Continued)

FOREIGN PATENT DOCUMENTS

CN 307597102 * 11/2021

OTHER PUBLICATIONS

USA Gear Medicine Travel Case for Supplies, available at amazon.com, earliest date available Jul. 24, 2024 [online], site visited Aug. 5, 2024, available from the internet URL: <https://www.amazon.com/USA-GEAR-Medicine-Travel-Supplies/dp/B0DB2ZL4TM?> (Year: 2024).*

(Continued)

Primary Examiner — Garth Rademaker

Assistant Examiner — Jillian Mazzola

(74) *Attorney, Agent, or Firm* — QuickPatents; Kevin Prince

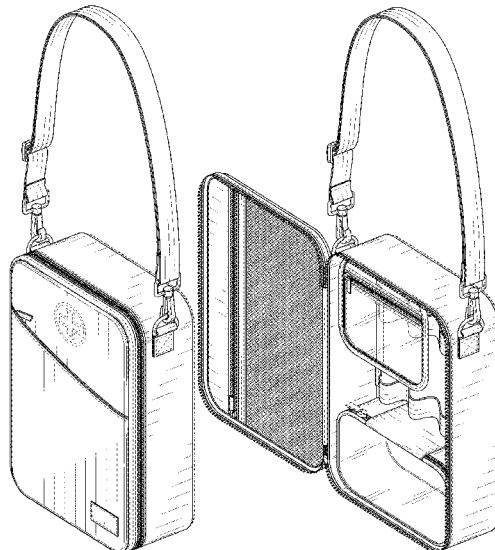
(57) **CLAIM**

The ornamental design for a case, as shown and described.

DESCRIPTION

FIG. 1 is a front perspective view of a case, showing my new design;
FIG. 2 is a front elevational view thereof;
FIG. 3 is a rear elevational view thereof;
FIG. 4 is a right-side elevational view thereof;
FIG. 5 is a left-side elevational view thereof;
FIG. 6 is a top plan view thereof;
FIG. 7 is a bottom plan view thereof;
FIG. 8 is a front perspective view of the case shown in an alternate open configuration;
FIG. 9 is a front elevational view of FIG. 8; and,
FIG. 10 is an exploded front perspective view thereof.
The broken lines showing a cross logo in FIGS. 1 and 2 depict portions of the case that form no part of the claimed design. The broken lines depicting the back in FIGS. 1, 3-8 and 10 show portions of the case that form no part of the claimed design. The broken lines showing zippers in FIGS. 8-10 depict portions of the case that form no part of the claimed design. The remaining broken lines depict stitching, and do form part of the claimed design.

1 Claim, 8 Drawing Sheets



(56)

References Cited

U.S. PATENT DOCUMENTS

D352,606	S	*	11/1994	Cylvick	D3/203.1
D429,563	S	*	8/2000	Kurano	D3/226
D588,798	S	*	3/2009	Combs, Jr.	D3/203.1
D651,393	S	*	1/2012	Coleman	D3/203.6
D767,877	S	*	10/2016	Halko	D3/203.1
D844,323	S	*	4/2019	Shuai	D3/901
D893,871	S	*	8/2020	Plunkett	D3/285
D1,032,194	S	*	6/2024	Zhuang	D3/226

OTHER PUBLICATIONS

Curmio Insulated Insulin Cooler Travel Case, available at amazon.com, earliest date available Jun. 23, 2021 [online], site visited Aug. 5, 2024, available from the internet URL: <https://www.amazon.com/dp/B097RKGJHP/> (Year: 2021).*

Sithon Insulated Medicine Carrying Case Bag, available at amazon.com, earliest customer review date Aug. 28, 2021 [online], site visited Aug. 5, 2024, available from the internet URL: <https://www.amazon.com/SITHON-Insulated-Medicine-Carrying-Case/dp/B08Z3N2CXB?th=1> (Year: 2021).*

USA Gear First Aid Kit, available at amazon.com, earliest date available Aug. 6, 2020 [online], site visited Aug. 5, 2024, available from the internet URL: <https://www.amazon.com/USA-GEAR-First-Aid-Kit/dp/B08FCYVKMC> (Year: 2020).*

* cited by examiner

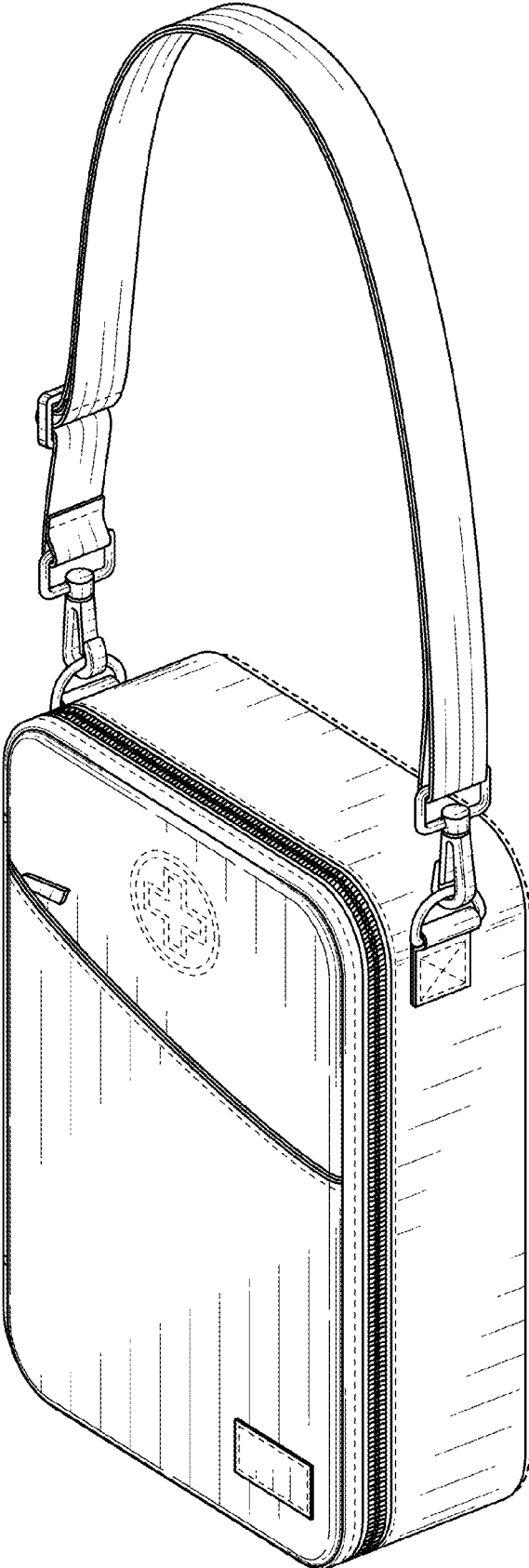


FIG. 1

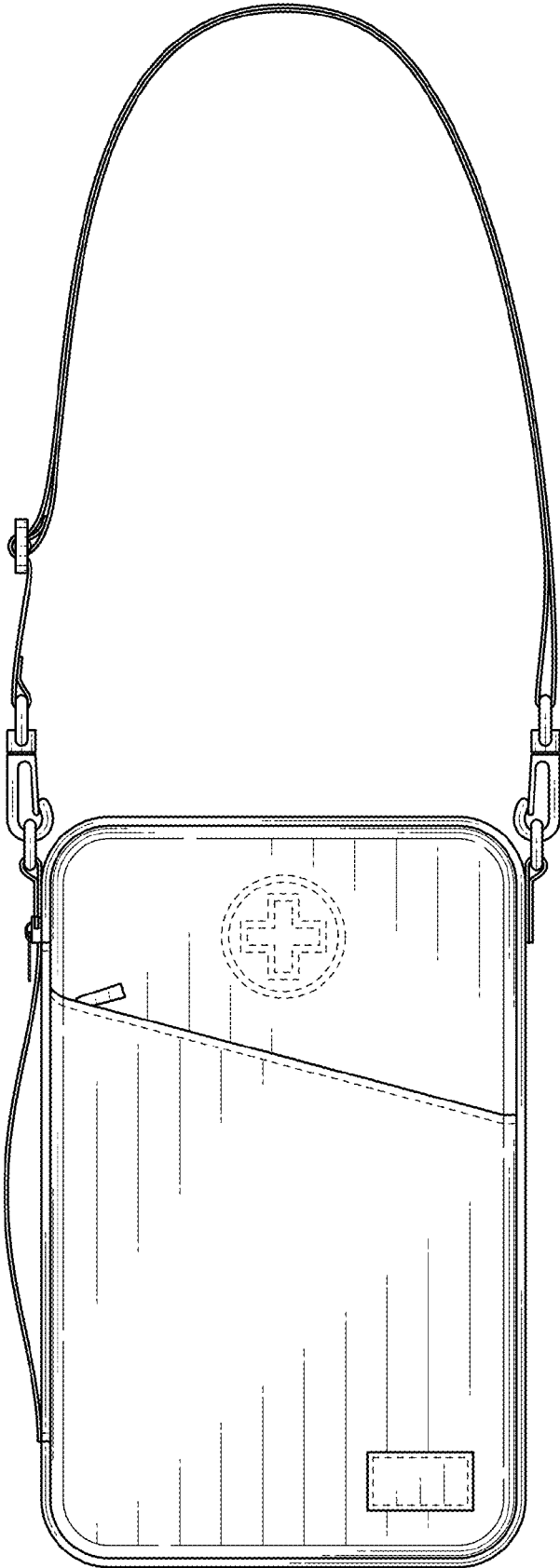


FIG. 2

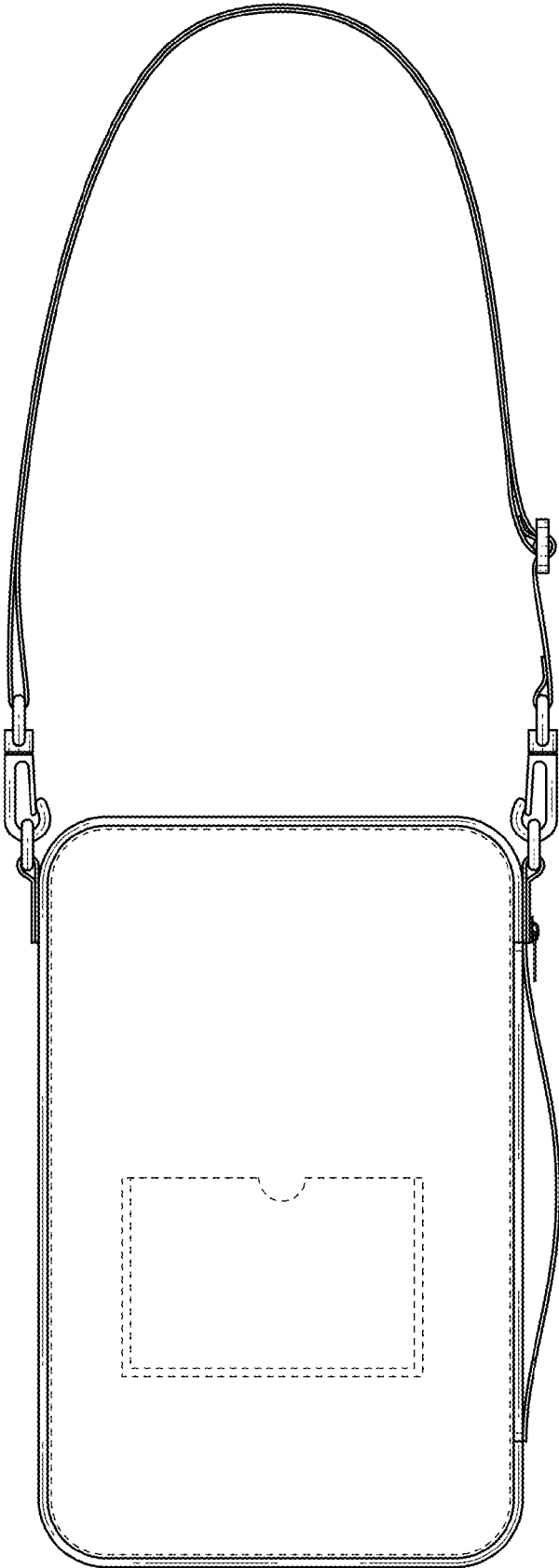


FIG. 3

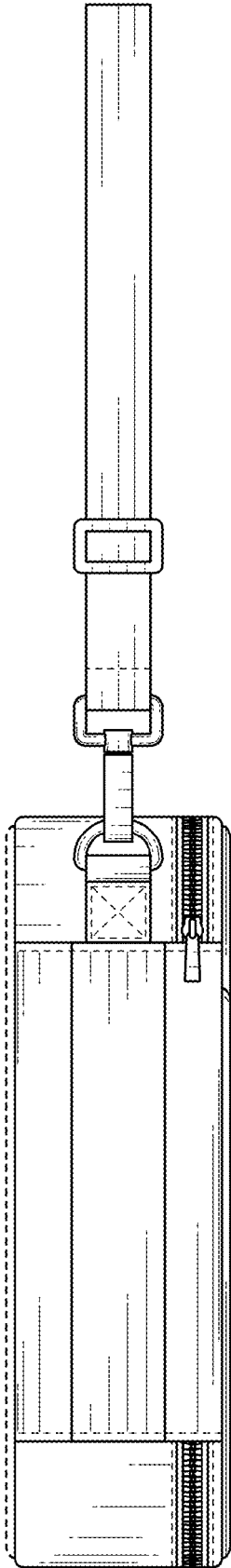


FIG. 4

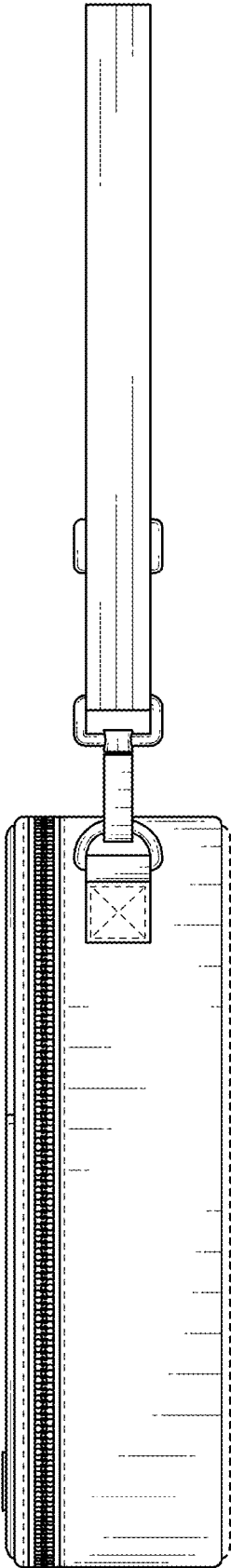


FIG. 5

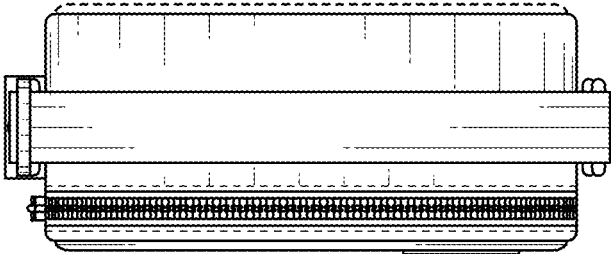


FIG. 6

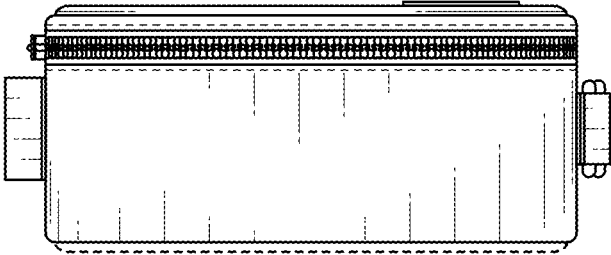


FIG. 7

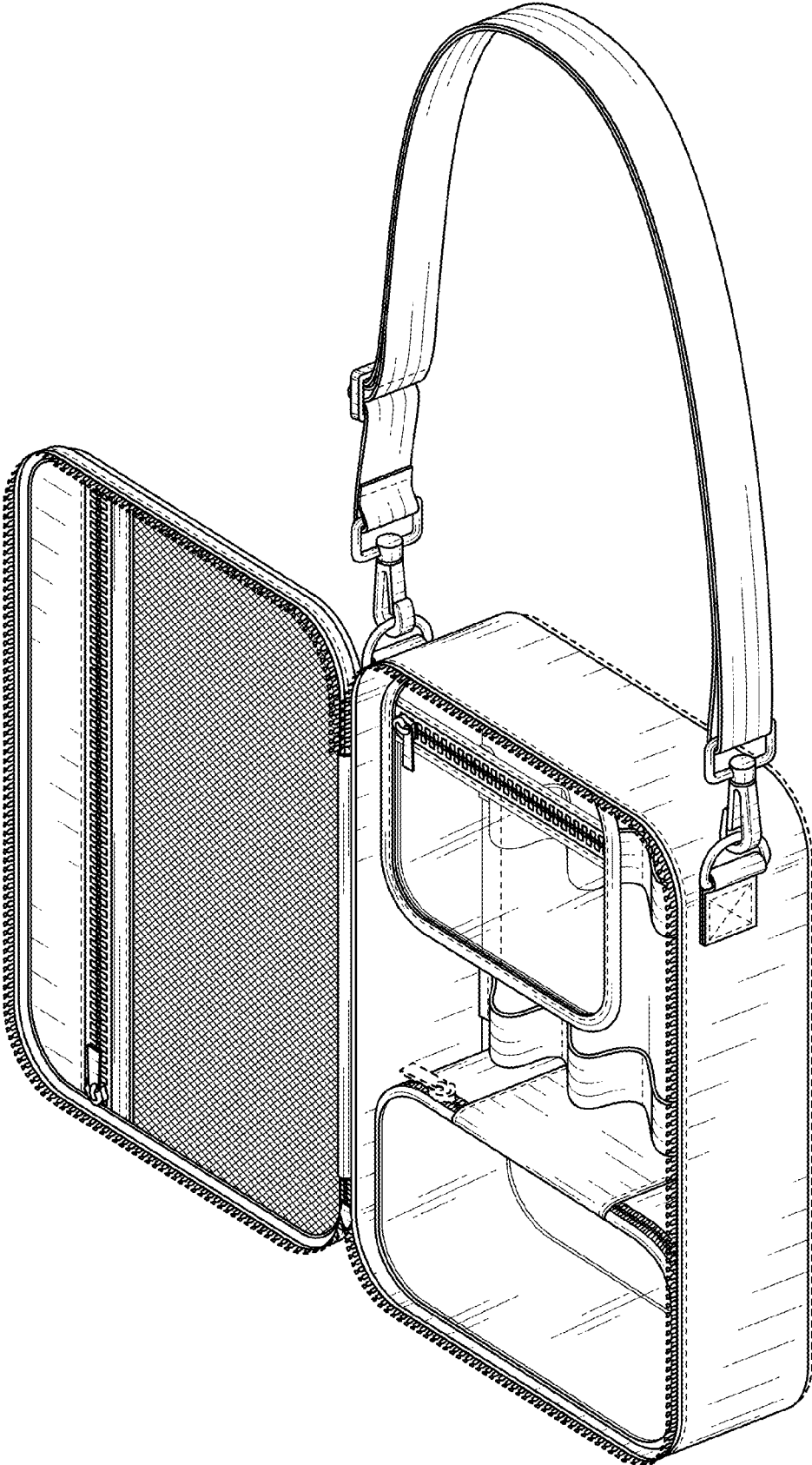


FIG. 8

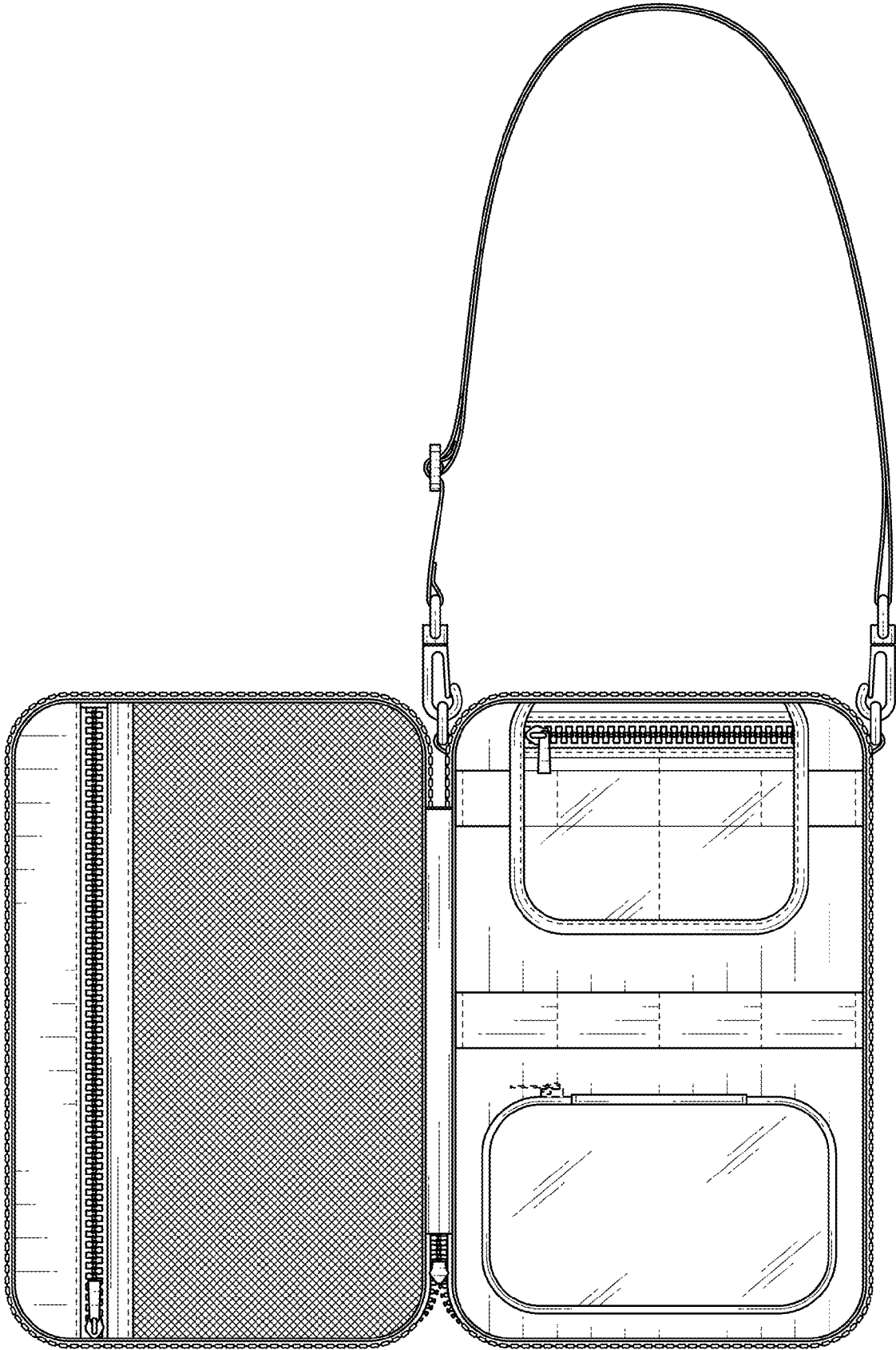


FIG. 9

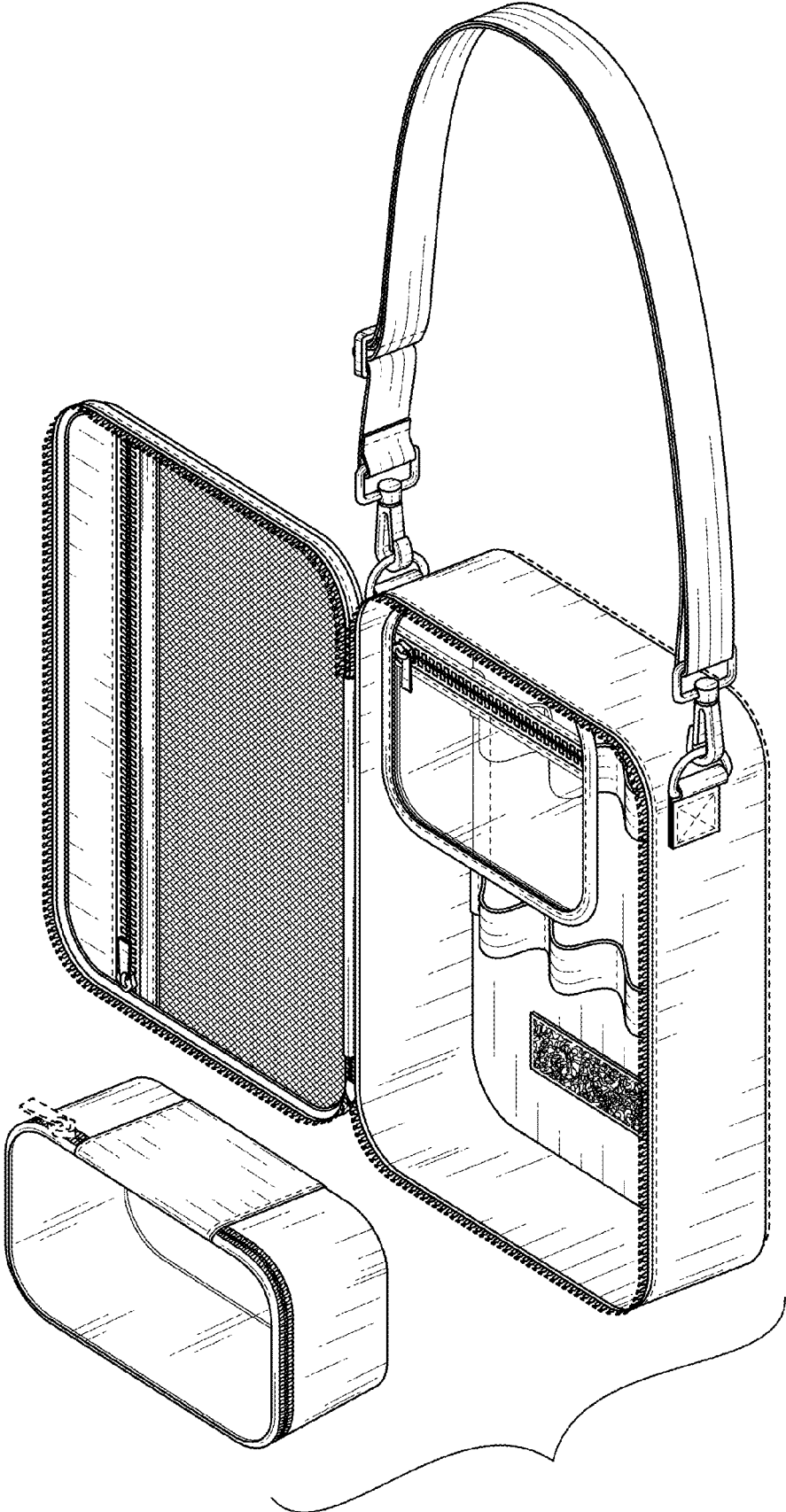


FIG. 10