



US00D761761S

(12) **United States Design Patent**  
**Ando et al.**

(10) **Patent No.:** **US D761,761 S**  
(45) **Date of Patent:** **\*\* Jul. 19, 2016**

(54) **HEADPHONE**

(71) Applicants: **Kozo Ando**, Tokyo (JP); **Shohei Araki**, Kanagawa (JP)

(72) Inventors: **Kozo Ando**, Tokyo (JP); **Shohei Araki**, Kanagawa (JP)

(73) Assignee: **Kabushiki Kaisha Audio-Technica**, Tokyo (JP)

(\*\*) Term: **14 Years**

(21) Appl. No.: **29/521,350**

(22) Filed: **Mar. 23, 2015**

(51) **LOC (10) Cl.** ..... **14-01**

(52) **U.S. Cl.**  
USPC ..... **D14/205**

(58) **Field of Classification Search**  
USPC ..... D14/205, 206; D29/112; 2/209;  
181/129, 130, 135; 379/430, 431;  
381/380, 381, 370, 374, 371; 455/90.3,  
455/575.1

CPC ..... H04R 5/0335; H04R 25/00; H04R 1/02  
See application file for complete search history.

(56) **References Cited**

**U.S. PATENT DOCUMENTS**

D328,074	S	*	7/1992	Yamazaki	.....	D14/205
D328,461	S	*	8/1992	Daido	.....	D14/205
5,640,458	A	*	6/1997	Nishiguchi	.....	G11C 7/16 381/2
D491,163	S	*	6/2004	Green	.....	D14/205
D541,255	S	*	4/2007	Taylor	.....	D14/205
D581,394	S	*	11/2008	Lee	.....	D14/205

D594,847	S	*	6/2009	Suzuki	.....	D14/205
D638,397	S	*	5/2011	McManigal	.....	D14/205
D642,554	S	*	8/2011	Schaal	.....	D14/205
D697,495	S	*	1/2014	Lian	.....	D14/205
8,737,668	B1	*	5/2014	Blair	.....	H04R 1/1066 381/378
D707,200	S	*	6/2014	Yang	.....	D14/205
D721,052	S	*	1/2015	Carr	.....	D14/205
D734,297	S	*	7/2015	Sasaki	.....	D14/205
D739,842	S	*	9/2015	Birger	.....	D14/205
D750,041	S	*	2/2016	Birger	.....	D14/205
2001/0017925	A1	*	8/2001	Ceravolo	.....	H04M 1/05 381/370
2009/0268936	A1	*	10/2009	Goldberg	.....	H04R 1/1041 381/384

\* cited by examiner

*Primary Examiner* — Paula Greene

(74) *Attorney, Agent, or Firm* — Whitham, Curtis & Cook, P.C.

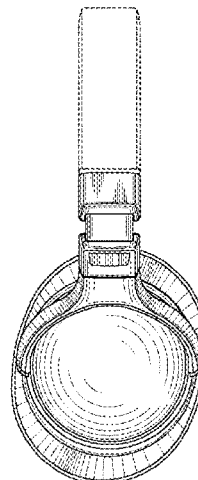
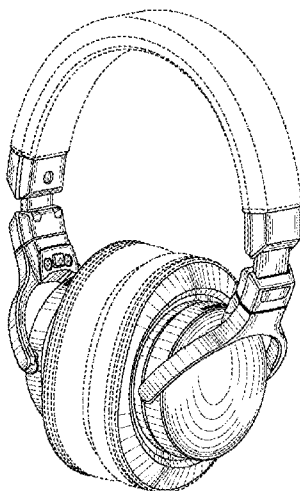
(57) **CLAIM**

We claim the ornamental design for a headphone, as shown and described.

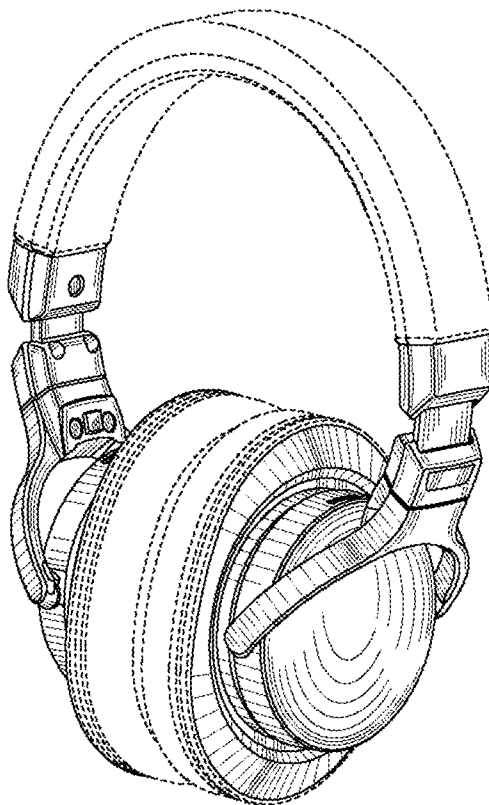
**DESCRIPTION**

FIG. 1 is a front perspective view of a headphone, a rear perspective view being identical; FIG. 2 is a front view of the headphone; FIG. 3 is a rear view of the headphone; FIG. 4 is a right side view of the headphone; FIG. 5 is a left side view of the headphone; FIG. 6 is a top plan view of the headphone; and, FIG. 7 is a bottom plan view of the headphone. Portions of the drawings shown in broken lines form no part of the claimed design.

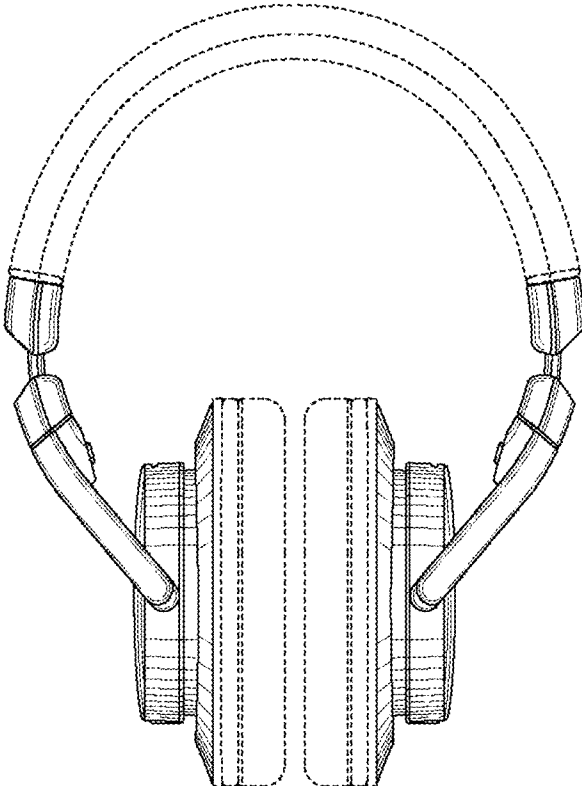
**1 Claim, 7 Drawing Sheets**



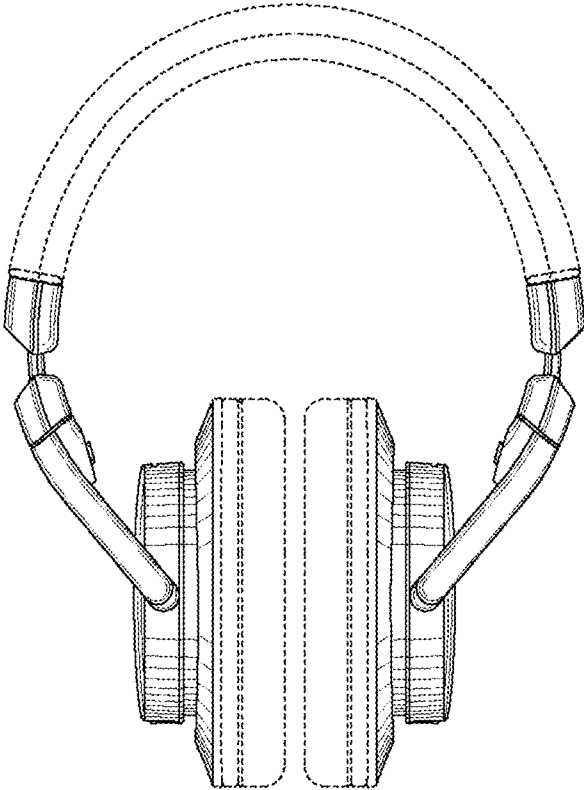
**FIG. 1**



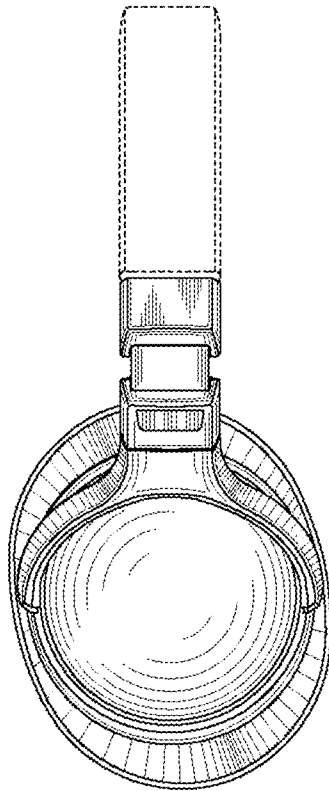
**FIG. 2**



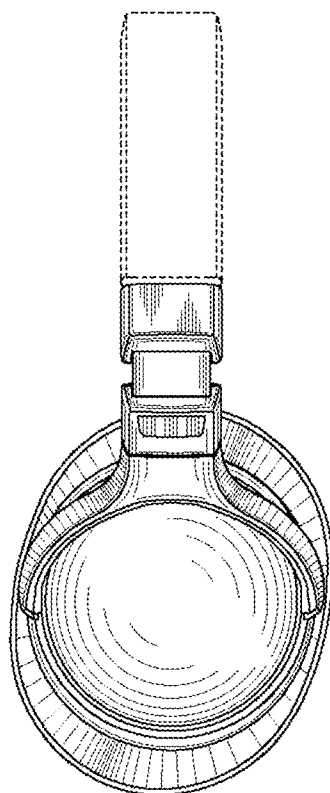
**FIG. 3**



**FIG. 4**



**FIG. 5**



**FIG. 6**

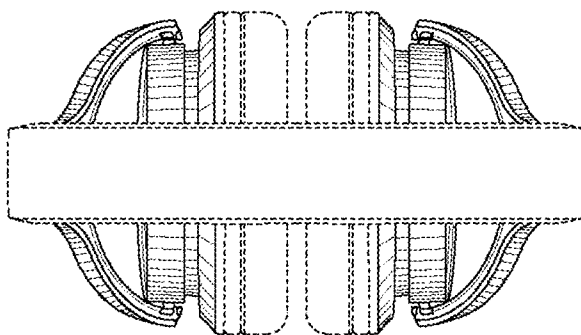


FIG.7

