



US00D719975S

(12) **United States Design Patent**
Joo et al.

(10) **Patent No.:** **US D719,975 S**

(45) **Date of Patent:** **** Dec. 23, 2014**

(54) **PORTABLE AUDIO DEVICE**

(56) **References Cited**

(71) Applicant: **Samsung Electronics Co., Ltd.**,
Suwon-Si, Gyeonggi-Do (KR)

(72) Inventors: **Son Chae Joo**, Seoul (KR); **Sungil Bang**, Seoul (KR); **Jae Neung Lee**,
Ansan-si (KR)

(73) Assignee: **Samsung Electronics Co., Ltd.**,
Gyeonggi-do (KR)

U.S. PATENT DOCUMENTS

5,893,798 A * 4/1999 Stambolic et al. 463/46
D481,702 S * 11/2003 Takagi D14/203.1
7,018,294 B2 * 3/2006 Silverbrook et al. 463/30
7,209,648 B2 * 4/2007 Barber et al. 386/243
D550,704 S * 9/2007 Ichinose D14/496
D601,171 S * 9/2009 Shimizu D14/496
D609,718 S * 2/2010 Chang et al. D14/496
D686,186 S * 7/2013 Kaneko et al. D14/168
D694,215 S * 11/2013 Birger D14/203.5

(**) Term: **14 Years**

* cited by examiner

(21) Appl. No.: **29/466,947**

Primary Examiner — Prabhakar Deshmukh

(22) Filed: **Sep. 13, 2013**

(74) *Attorney, Agent, or Firm* — Harness, Dickey & Pierce,
P.L.C.

(30) **Foreign Application Priority Data**

Mar. 13, 2013 (KR) 30-2013-0012817

(51) **LOC (10) Cl.** **14-03**

(52) **U.S. Cl.**

USPC **D14/496**; D14/203.1

(58) **Field of Classification Search**

CPC . A63F 13/00; A63F 11/00; A63F 2300/8047;
G06F 17/00

USPC D14/496, 401, 435, 474, 483, 217, 137,
D14/138, 160, 168, 356, 203.1–203.8, 507;
345/156, 169, 173–179, 905;
715/727–729, 864; 710/1, 5, 8; 713/1,
713/600; 455/1.1, 1.7, 73, 344–347, 93, 95,
455/3.01–3.06, 550.1, 573.1; 370/342–344;
369/1, 2, 6–12; 463/43–47; 273/148 B

See application file for complete search history.

(57) **CLAIM**

The ornamental design for a portable audio device, as shown and described.

DESCRIPTION

FIG. 1 is a front perspective view of a portable audio device showing our new design;

FIG. 2 is a front view thereof;

FIG. 3 is a rear view thereof;

FIG. 4 is a left-side view thereof;

FIG. 5 is a right-side view thereof;

FIG. 6 is a top view thereof;

FIG. 7 is a bottom view thereof; and,

FIG. 8 illustrates that the device is in use.

1 Claim, 8 Drawing Sheets

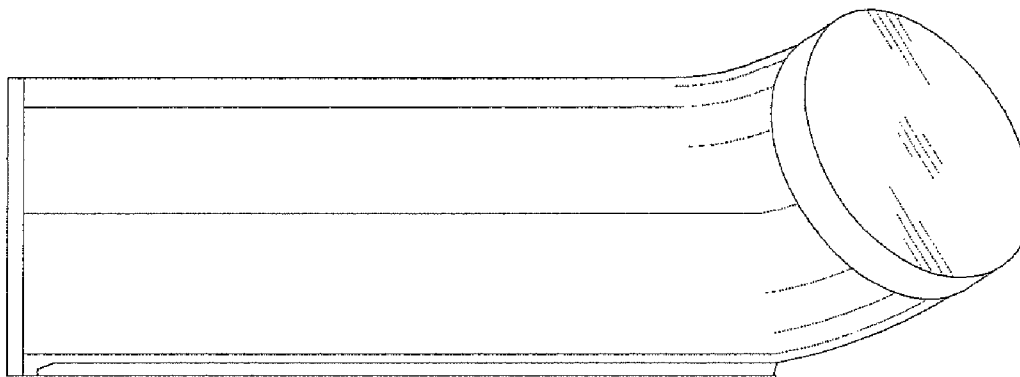


FIG. 1

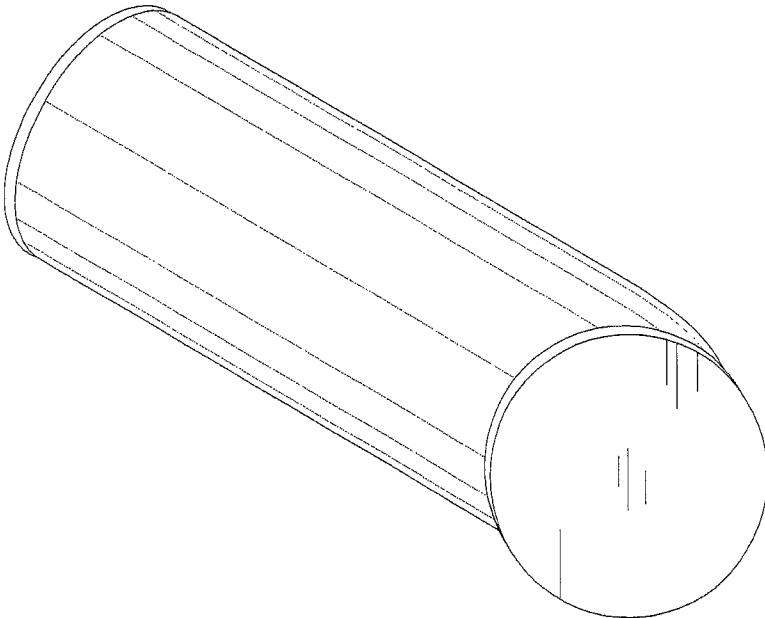


FIG. 2

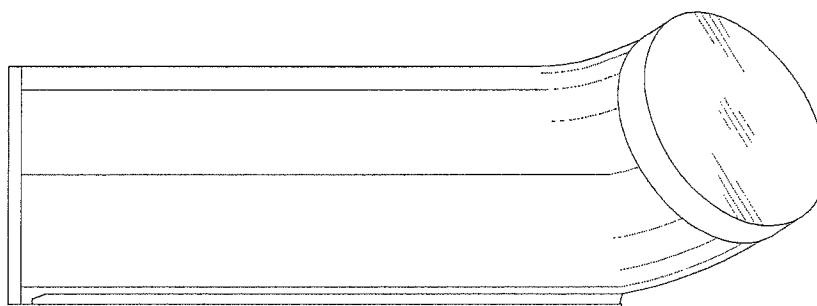


FIG. 3

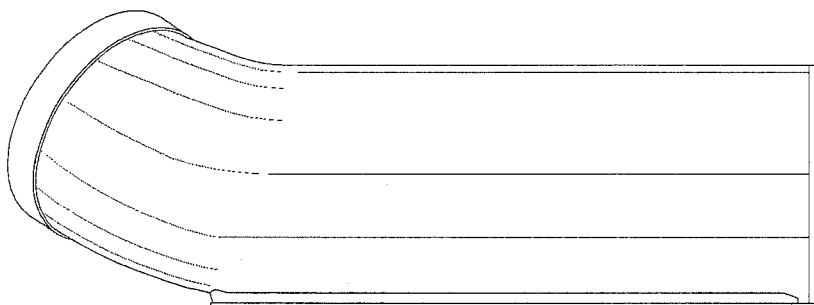


FIG. 4

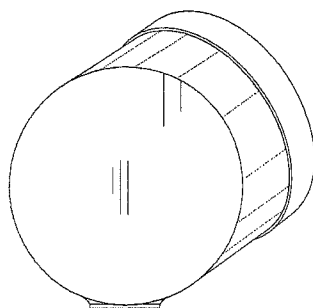


FIG. 5

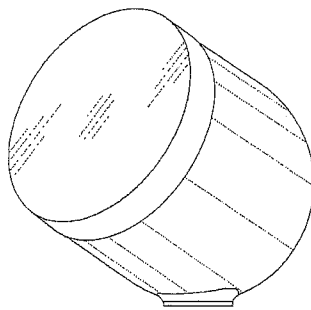


FIG. 6

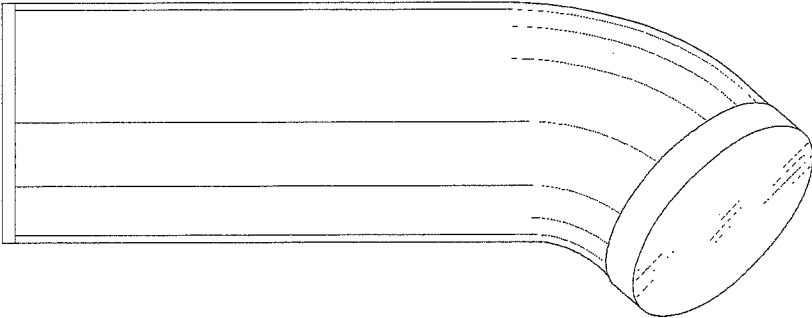


FIG. 7

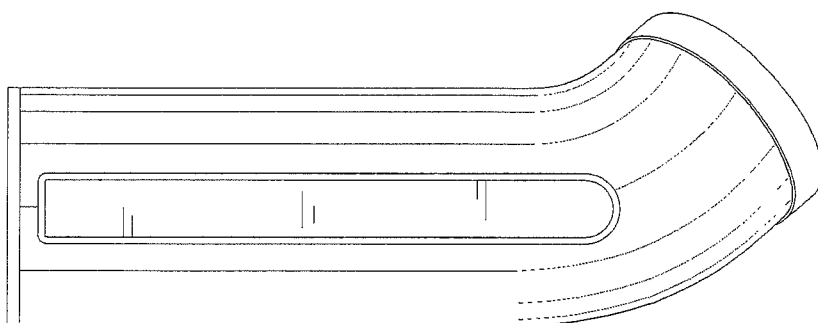


FIG. 8

