

(19) World Intellectual Property Organization
International Bureau



(43) International Publication Date
27 February 2003 (27.02.2003)

PCT

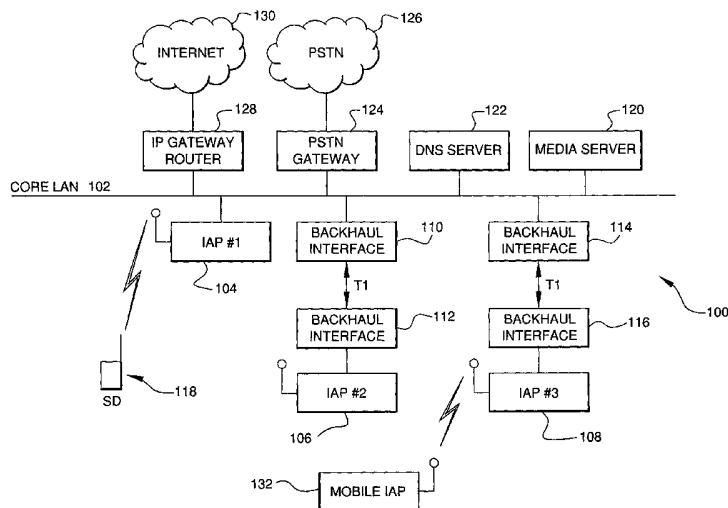
(10) International Publication Number
WO 03/017597 A1

- (51) International Patent Classification⁷: H04L 12/56, 12/66
- (74) Agents: BUCZYNSKI, Joseph et al.; Roylance, Abrams, Berdo & Goodman, L.L.P., 1300 19th Street, N.W., Suite 600, Washington, DC 20036 (US).
- (21) International Application Number: PCT/US02/25801
- (81) Designated States (*national*): AE, AG, AL, AM, AT (utility model), AT, AU, AZ, BA, BB, BG, BR, BY, BZ, CA, CH, CN, CO, CR, CU, CZ (utility model), CZ, DE (utility model), DE, DK (utility model), DK, DM, DZ, EC, EE (utility model), EE, ES, FI (utility model), FI, GB, GD, GE, GH, GM, HR, HU, ID, IL, IN, IS, JP, KE, KG, KP, KR, KZ, LC, LK, LR, LS, LT, LU, LV, MA, MD, MG, MK, MN, MW, MX, MZ, NO, NZ, OM, PH, PL, PT, RO, RU, SD, SE, SG, SI, SK (utility model), SK, SL, TJ, TM, TN, TR, TT, TZ, UA, UG, US, UZ, VC, VN, YU, ZA, ZM, ZW.
- (22) International Filing Date: 15 August 2002 (15.08.2002)
- (25) Filing Language: English
- (26) Publication Language: English
- (30) Priority Data: 09/929,030 15 August 2001 (15.08.2001) US
- (84) Designated States (*regional*): ARIPO patent (GH, GM, KE, LS, MW, MZ, SD, SL, SZ, TZ, UG, ZM, ZW), Eurasian patent (AM, AZ, BY, KG, KZ, MD, RU, TJ, TM), European patent (AT, BE, BG, CH, CY, CZ, DE, DK, EE, ES, FI, FR, GB, GR, IE, IT, LU, MC, NL, PT, SE, SK, TR), OAPI patent (BF, BJ, CF, CG, CI, CM, GA, GN, GQ, GW, ML, MR, NE, SN, TD, TG).
- (71) Applicant (*for all designated States except US*): MESH-NETWORKS, INC. [US/US]; 485 North Keller Road, Suite 250, Maitland, FL 32751 (US).
- (72) Inventors; and
- (75) Inventors/Applicants (*for US only*): GARAH, Masood [US/US]; 2802 North Torryes Peak Dr., Superior, CO 80027 (US). STANFORTH, Peter [GB/US]; 1770 Seneca Blvd., Winter Springs, FL 32708 (US).

Published:
— with international search report

[Continued on next page]

(54) Title: MOVABLE ACCESS POINTS AND REPEATERS FOR MINIMIZING COVERAGE AND CAPACITY CONSTRAINTS IN A WIRELESS COMMUNICATIONS NETWORK AND A METHOD FOR USING THE SAME



(57) Abstract: A system and method for improving the ability of a wireless packet switched data communications network (Fig. 1) to provide service to mobile user terminals (118). It employs a mobile access point (132) adapted to provide a mobile wireless user terminal (118) with access to packet-switched communications network. Mobile access point (132) can be mounted to a mobile vehicle (146) and receives substantially constant power from the vehicle and is adapted to transmit and receive communications signals to and from wireless user terminals (118), fixed access points (106 and 108) and other networks (124, 128, 148, 150, and 152) and wireless terminals (118). Mobile access point (132) includes at least one or more transceivers supporting multiple wireless communication protocols.

WO 03/017597 A1



For two-letter codes and other abbreviations, refer to the "Guidance Notes on Codes and Abbreviations" appearing at the beginning of each regular issue of the PCT Gazette.

Movable Access Points and Repeaters for Minimizing Coverage and Capacity Constraints in a Wireless Communications Network and a Method for Using the Same

BACKGROUND OF THE INVENTION

Field of the Invention:

[0001] The present invention relates to movable access points and repeaters in a wireless communications network for minimizing coverage and capacity constraints in the network. More particularly, the present invention relates to constantly moveable access points of a core network of an ad-hoc wireless packet-switched data communications network, which provide user terminals with access to the core network and also are capable of functioning as repeaters between user terminals to enhance the self healing capabilities of the ad-hoc network. This application is a continuation of application Serial No. 09/929,030, filed August 15, 2001, the entire contents of which being incorporated herein by reference.

Description of the Related Art:

[0002] Wireless communications networks, such as mobile wireless telephone networks, have become increasingly prevalent over the past decade. These wireless communications networks are commonly referred to as "cellular networks", because the network infrastructure is arranged to divide the service area into a plurality of regions called "cells".

[0003] Specifically, a terrestrial cellular network or other type of conventional specialized mobile radio (SMR) system includes a plurality of interconnected stationary base stations that are distributed geographically at designated locations throughout the service area. Each stationary base station includes one or more transceivers that are capable of transmitting and receiving electromagnetic signals, such as radio frequency (RF) communications signals, to and from user terminals, such as wireless telephones, located in its coverage area. The communications signals include, for example, voice data that has been modulated according to a desired modulation technique and transmitted as data packets. As can be appreciated by one

skilled in the art, the transceiver and user terminals transmit and receive the data packets in multiplexed format, such as quad-division multiple access (QDMA) format, time-division multiple access (TDMA) format, code-division multiple access (CDMA) format, or frequency-division multiple access (FDMA) format, which enables a single transceiver at the base station to communicate simultaneously with several user terminals in its coverage area.

[0004] Each base station is also connected to one or more gateways that enable communication between the base station and other networks, such as the Internet and the public switched telephone network (PSTN). Accordingly, the base stations in the network enable the user terminals to communicate with each other, as well as with other destinations, such as telephony devices, in the PSTN.

[0005] Because each base station is stationary and can only handle a limited amount of communications signal traffic from the user terminals at any given time, the coverage area of a base station can vary depending on the amount of traffic that the base station is expected to experience. For example, the coverage area of a base station can be set to several miles in diameter in sparsely populated regions, such as rural regions having light wireless traffic, and can be set to less than a mile in diameter in densely populated regions, such as major metropolitan areas having heavy wireless traffic. The wireless communications network therefore must employ many stationary base stations in heavily populated metropolitan areas in order for the network to adequately service the user terminals in those regions.

[0006] The problem of providing an adequate number of base stations for a region is also exacerbated in areas where heavy commuting traffic occurs. For example, in metropolitan areas, millions of commuters may travel on specific stretches of highways during the morning and evening rush hour periods. However, at all other times of the day and on weekends, these stretches of highway may receive only a modest amount of traffic. Accordingly, it is impractical to deploy numerous base stations in these commuting areas simply to accommodate the few hours of increased activity per weekday. The number of base stations that can be deployed may also be limited due to space and zoning constraints. Hence, due to the lack of adequate base

stations in these commuting areas, the network may be incapable of adequately servicing its subscribers during these busy commuting hours of the workday.

[0007] Other variables, such as the distance between a user terminal and a base station it is trying to access, interference in the base station's coverage area, the existence of structures such as buildings which block the line of sight (LOS) path between a user terminal and a base station, as well as regulatory and site restrictions, also create holes in the coverage areas which adversely affect the capacity capabilities of the network. Users become aware of such holes because they either lose service or get very poor service in a particular location. In certain instances, in order for a user terminal to greatly improve its service, the user terminal may need only move a few feet, for example, from behind a building blocking the user terminal's LOS with a base station to a position in the network that has adequate coverage and capacity capabilities.

[0008] Attempts to improve the coverage area provided by a base station include providing a rotating antenna at the fixed base station site. U.S. Patent No. 6,222,504, incorporated herein by reference, discloses techniques for reorienting an antenna of a fixed base station. Although this solution may somewhat enhance the ability of a base station to service its coverage area, the coverage area itself remains fixed because the base station remains fixed. Another solution can be to make the base station towers mobile by making them airborne, such as on aircraft or on movable tracks. However, these solutions are difficult to deploy because of the size, cost and complexity of traditional base station equipment.

[0009] As can be further appreciated by one skilled in the art, it is also common for a mobile user terminal to travel between different base station coverage areas during use, that is, during a single telephone call. When this occurs, the base station whose coverage area the user terminal is leaving must transfer or "handoff" the user terminal to the base station whose coverage area the user terminal is entering, so that the latter base station can become the base station via which the user terminal and network continue to communicate. In densely populated areas having many base stations with small coverage areas, this handoff process may need to occur several

times during a short period of time as the user terminal travels between the different coverage areas. However, in regions such as high traffic commuting regions having an inadequate number of base stations, more user terminals are competing for access to a base station within their coverage area. Accordingly, the number of lost or dropped calls that may occur during the handoff process can be increased due to the lack of adequate base station accessibility.

[0010] Many techniques have been developed using the circuit-switched cellular infrastructure to minimize data packet loss during handoff while also minimizing overhead necessary to successfully perform the handoff. For example, a technique known as “hard handoff” refers to a break-before-make technique where the original connection is dropped before the new connection is established. On the other hand, “soft handoff” is a make-before-break technique that maintains multiple simultaneous connections to the user terminal during handoff, and only drops the original connection after the new connection is established. Examples of soft handoff techniques are described in a publication by Wong et al. entitled “Soft Handoffs in CDMA Mobile Systems”, IEEE Personal Communications, December 1997, pp. 6-17, in a publication by Wong et al. entitled “A Pattern Recognition System for Handoff Algorithms”, IEEE Journal on Selected Areas in Communications, Vol. 18, No. 7, July 2000, pp. 1301-1312, and in TIA document TIA/EIA-95-B entitled “Mobile Station-Base Station Compatibility Standard for Wideband Spread Spectrum Cellular Systems”, February 1, 1999, the entire contents of each of these documents being incorporated herein by reference.

[0011] With the arrival of the Internet in recent years, some wireless communications networks have moved away from the use of conventional cellular networks and their associated circuit switched routing techniques to improve voice communications services. Each mobile user terminal, telephony device, and any other device capable of communicating with the communications network, has a unique Internet Protocol (IP) address that uniquely identifies it from all other devices. A communications network employing IP sends data between destination points in digital form in discrete packets, rather than in the traditional circuit-committed

protocols of the PSTN. Each of the data packets includes the sender's IP address as well as the intended receiver's IP address.

[0012] When a wireless user terminal, for example, transmits voice data to a base station of the communications network acting as the access point for the user terminal, a router associated with the base station reads the receiver IP address in the data packet. Each router includes a table of routing information, such as IP addresses of the devices local to the router, available routes, and so on. If the router recognizes from the receiver IP address that the data packet is intended for a telephony device in its immediate neighborhood or domain, the router forwards the data packet to that telephony device. However, if the router does not recognize the IP address as belonging to such a telephony device, the router forwards the data packet to an appropriate adjacent gateway in, for example, the Internet. The router of that gateway then reads the receiver IP address in the data packet, and either delivers the data packet to the appropriate telephony device in its domain, or forwards the data packet to another gateway. Once a router in a gateway recognizes the receiver IP address as belonging to a telephony device in its domain, the router in that gateway delivers the data packet to that telephony device.

[0013] It can be also noted that the use of IP to route data packets in a communications network enables the network to handle data other than voice data. For example, such IP techniques can be used to expand the versatility of the network to communicate audio, video or multimedia data between user terminals. Such networks can be configured as packet-switched data networks, as opposed to traditional circuit switched networks. A communications network employing a packet-switched core network is described, for example, in U.S. patent application Serial No. 09/897,790 entitled "Ad Hoc Peer-to-Peer Mobile Radio Access System Interfaced to the PSTN and Cellular Networks", filed on June 29, 2001, the entire content of which is incorporated herein by reference. An example of a wireless local area network (LAN) having mobility is set forth in IEEE Standard 802.11, August 20, 1999, the entire content of which is incorporated herein by reference.

[0014] As in traditional cellular communications networks, wireless user terminals in a wireless communications network employing IP can be mobile, and can thus periodically change their access point to the network. Also, wireless user terminals can move outside their “home” network and become temporarily affiliated with a foreign network, and thus communicate via an access point on that foreign network.

[0015] Hence, as with traditional cellular communications networks, similar problems can arise in these packet-switched data networks which service mobile user terminals. That is, these types of networks can also experience an increased occurrence of dropped or lost data communications for mobile user terminals, and the inability of mobile user terminals to adequately access the network, if the number of access points deployed in high traffic areas is inadequate. U.S. Patent No. 6,222,463, incorporated herein by reference, discloses a device that can be placed in vehicles to provide information about the vehicle to fixed roadside base stations to enable the base stations to track the vehicles. However, this patent does not provide any suitable solution for eliminating the problems discussed above relating to holes in the coverage areas of traditional cellular networks or packet-switched data networks. Accordingly, a need exists for a packet-switched data network having improved coverage and capacity capabilities, and a minimal amount of holes in its coverage area.

SUMMARY OF THE INVENTION

[0016] An object of the present invention is to provide a system and method for improving the ability of a wireless communications network, such as a packet-switched data communications network, to provide service to mobile user terminals.

[0017] Another object of the present invention is to provide mobile access points for a wireless communications network, in particular, a packet-switched data communications network, which support multiple wireless communication protocols, allowing network access via one protocol and providing backhaul service using the same or different protocols.

[0018] Another object of the present invention is to provide mobile access points for a wireless communications network to minimize the amount of holes in the coverage areas of the network and thus improve service to mobile user terminals accessing the network.

[0019] These and other objects of the present invention are substantially achieved by providing a mobile access point, adapted for use with a packet-switched communications network which can include both fixed and mobile access points, to provide a mobile wireless user terminal with access to the network, and a method for using the same. The mobile access point comprises at least one transceiver, which adapted to transmit and receive communications signals to and from the wireless user terminal, and to operate as a communications link between the wireless user terminal and the fixed access point, to provide the wireless user terminal with access to the network via the communications link, and which is housed in a structure that is adapted to mount on or in a mobile vehicle. The mobile access point further includes a power connection, that is adapted to couple to a substantially constant power supply, such as the power supply of the mobile vehicle, to provide substantially constant power to the transceiver. The transceiver is further adapted to provide a second communications link between the user terminal and another user terminal, or between the mobile access point and another mobile access point of the network. The mobile access point further includes technology, such as global positioning system (GPS) technology, which adapted to determine a geographic location of the mobile access point.

BRIEF DESCRIPTION OF THE DRAWINGS

[0020] These and other objects, advantages and novel features of the invention will be more readily appreciated from the following detailed description when read in conjunction with the accompanying drawings, in which:

[0021] Fig. 1 is a block diagram of an example of a wireless communications network employing mobile access points for providing mobile user terminals with improved access to the network according to an embodiment of the present invention;

[0022] Fig. 2 is a block diagram illustrating an example of a wireless mobile access point of the network shown in Fig. 1 according to an embodiment of the present invention;

[0023] Fig. 3 is a block diagram illustrating another example of a wireless mobile access point of the network shown in Fig. 1 according to another embodiment of the present invention;

[0024] Fig. 4 is a conceptual block diagram illustrating an exemplary manner in which a mobile access point of the network shown in Fig. 1 operates to provide a mobile user terminal access to the network in accordance with an embodiment of the present invention;

[0025] Fig. 5 is a conceptual block diagram illustrating an exemplary manner in which a mobile access point of the network shown in Fig. 1 operates as a link in between mobile user terminals used in the network shown in Fig. 1 in accordance with an embodiment of the present invention; and

[0026] Fig. 6 is a further conceptual block diagram illustrating another exemplary manner in which a mobile access points of the network shown in Fig. 1 operates as a link between mobile user terminals used in the network and to provide those mobile user terminals with access to the network in accordance with an embodiment of the present invention.

DETAILED DESCRIPTION OF THE PREFERRED EMBODIMENTS

[0027] Fig. 1 is a block diagram illustrating an example of a wireless communications network 100 employing mobile access terminals according to an embodiment of the present invention. As shown, network 100, which can be referred to as a “core network”, includes a core local access network (LAN) 102 which provides the wired infrastructure for the network 100. A plurality of intelligent access points (IAP) 104, 106 and 108 are coupled to and communicate with the core LAN 102. As illustrated in this example, IAP 104 is directly coupled to the core LAN 102, while IAP 106 is coupled to core LAN 102 via backhaul interfaces 110 and 112 and a T1 connection, and IAP 108 is coupled to core LAN 102 via backhaul interfaces 114 and 116 and a T1 connection. However, any suitable backhaul technology, such as T3, fiber and microwave, can be used to implement a number of backhaul modulation techniques in the wireless applications, including QDMA, TDMA, CDMA and FDMA, as pointed out in the Background section.

[0028] Each IAP 104, 106 and 108 is an infrastructure device containing at least one transceiver and at least one embedded processor. In this example, each IAP 104, 106 and 108 further includes a 10/100 Base-T Ethernet connection. However, the IAPs 104, 106 and 108 can include any type of high-speed connection suitable for coupling to the core LAN 102. An IAP 104, 106 and 108 is configured to remain in a fixed location, such as on a building rooftop or in a building ceiling, and is provided with a permanent source of power, such as alternating current or any other suitable power source.

[0029] As described in more detail below, an IAP 104, 106 and 108 operates to provide access for subscriber devices, such as mobile user terminals 118, to wired services provided by the network 100. Each IAP 104, 106 and 108 also provides a respective fixed and known position and location reference, relay and wireless routing for user terminals 118 within its area of coverage, and the principle network management interface with transceivers in wireless routers and subscriber devices, such as user terminals 118. Each wired IAP 104, 106 and 108 can be referred to generally as a “fixed node” on the network 100, while the mobile user terminal 118

can be referred to as a "mobile node". The wired IAP 104, 106 and 108 can also function as access points to the network 100 for user terminals 118 forming an ad-hoc network as described, for example, in U.S. patent application Serial No. 09/897,790 entitled "Ad Hoc Peer-to-Peer Mobile Radio Access System Interfaced to the PSTN and Cellular Networks", filed on June 29, 2001, and as in U.S. Patent No. 5,943,322 to Mayor, the entire contents of each being incorporated herein by reference.

[0030] The network 100 further may include a media server 120 for delivering types of media such as video and multimedia data to the core LAN 102, and a domain name server (DNS) 122 for translating Internet domain names into Internet Protocol (IP) addresses in a manner as known in the art. The network 100 may also include a PSTN gateway 124 which provides data access between the network 100 and the PSTN 126, and an IP gateway router 128 which provides data access between the network 100 and the Internet 130.

[0031] Further details of the network 100 and its operation will now be described. For purposes of this discussion, the terms "IAP" and "node" or "fixed node" will be used interchangeably, as well as the terms "user terminal" and "mobile node". The wired IAPs 104, 106 and 108 on the core LAN 102 are all fully connected to a single virtual segment. As can be appreciated by one skilled in the art, all IAPs 104, 106 and 108 (fixed nodes) on the virtual segment are directly accessible from any other node at the logical link layer. IP routing is not used to reach any other node on the virtual segment. The IP subnet for this virtual segment is large enough to encompass all of the IAPs 104, 106 and 108, and all mobile nodes 118 in a single broadcast domain. The virtual segment may include media access control layer (MAC-layer) bridges and switches (not shown) between the IAPs 104, 106 and 108, as needed, to filter unicast frames from using bandwidth on non-required links.

[0032] The wired IAPs 104, 106 and 108 will, by definition, have two network interfaces, one of which is connected to the network via a wire-line link, and the other being a wireless transceiver. Both of these interfaces will have IP addresses from the core network's IP subnet. An IAP 104, 106 and 108 must then retain an IP routing table indicating that the IP of the wireless transceiver interface is reachable on that

interface, while all other IP addresses on that subnet are reachable directly on the wired interface. IP's outside the core network's subnet are reachable via the core network's directly accessible IP router gateway 128.

[0033] In addition to having fixed IAPs 104, 106 and 108, the network can employ mobile IAPs 132. Each mobile IAP 132 is similar to a fixed IAP 104, 106 or 108 in that it operates to provide access for subscriber devices, such as mobile user terminals 118, to wired services provided by the network 100. As shown in Fig. 2, IAP 132 includes at least one transceiver 134 and at least one processor 136. The transceiver 134 can transmit and receive data packets over any frequency band, for example, over the 2 ISM band. However, the frequency and modulation scheme used by the transceiver 134 does not impact the implementation of the mobile IAP 132. As stated above, the transceiver and user terminals transmit and receive data packets in multiplexed format, such as quad-division multiple access (QDMA) format, time-division multiple access (TDMA) format, code-division multiple access (CDMA) format, or frequency-division multiple access (FDMA) format, which enables a single IAP 132 to communicate simultaneously with several user terminals 118 within its coverage area.

[0034] The mobile IAP 132 can be small so as to be mounted on the interior or exterior of a vehicle 146 (see Fig. 4), such as an automobile, truck, bus, train, taxi, police car, fire engine, or any other suitable movable vehicle. For example, the housing of the IAP 132 can be a rectangular box having dimensions of approximately 4 inches by 6 inches by 1 inch. By incorporating such a device in a new automobile up to 15 million could be deployed annually. The mobile IAP 132 further includes an antenna 138 that can be internally or externally mounted to the vehicle 146. This antenna 138 can have a gain higher than that of an antenna typically employed in a mobile user terminal 118.

[0035] The mobile IAP 132 further has a connection 140 to a substantially constant external power supply, such as the 12V DC power supply of the vehicle 138. The mobile IAP 132 can further include positioning functionality 141, such as global positioning system (GPS) functionality, differential navigation functionality, or other

positioning functionality such as various triangulation techniques as can be appreciated by one skilled in the art, which enables the IAP 132 to know its actual geographic location and to provide this information to the network 100 and to the user terminals 118 using or attempting to use the mobile IAP 132 as their access point to the network 100.

[0036] Fig. 3 illustrates a higher capacity version of a mobile IAP 132-1 which includes multiple transceivers 134-1 and 134-2 each coupled to a respective antenna 138-1 and 138-2, a single processor 136-1, such as a single board control computer, and a connection 140-1 for connecting to an external power supply, such as the 12 V DC power supply of the vehicle 146. The mobile IAP 132-1 also includes the positioning functionality 141-1 similar to positioning functionality 141 discussed above. The housing of this version of a mobile IAP 132-1 can have dimensions approximately 12 inches by 6 inches by 1 inch, and can be mounted in a larger vehicle such as a city bus or refuse wagon. This higher capacity mobile IAP 132-1 also includes all of the functionality present in mobile IAP 132 as discussed above in that each transceiver 134-1 and 134-2 of the mobile IAP includes the capability to transmit and receive data packets in multiplexed formats without restriction to a single format for both transceivers.

[0037] Referring back to Fig. 1, it is noted that each mobile IAP 132 (or 132-1) must be capable of communicating with a fixed IAP via a wireless backhaul, such as a microwave backhaul 144, as can be appreciated by one skilled in the art. In order to minimize the number of fixed IAPs 104, 106 and 108 and mobile IAPs 132 employed in the network 100 while also maximizing the coverage and capacity of the network 100, the fixed IAPs 104, 106 and 108, as well as the mobile IAPs 132, can utilize a self forming self healing radio access technology as described in U.S. patent application Serial No. 09/897,790 and in U.S. Patent No. 5,943,322, both referenced above. In addition, all of the fixed IAPs 104, 106 and 108, as well as the mobile IAPs 132 (and 132-1) are capable of performing proxying operations and handoff operations as described in copending U.S. patent application Serial No. 09/929,032 entitled "A System and Method for Providing an Addressing and Proxy Scheme for

Facilitating Mobility of Wireless Nodes Between Wired Access Points on a Core Network of a Communications Network”, and in U.S. patent application Serial No. 09/929,031 entitled “A System and Method for Performing Soft Handoff in a Wireless Data Network”, both of said patent applications filed on August 15, 2001 and the contents of each being incorporated herein by reference. The transceivers 134 (and 134-1 and 134-2) of each mobile IAP 132 (and 132-1) also are capable of performing routing operations as described, for example, in U.S. patent application Serial No. 09/897,790 and in U.S. Patent No. 5,943,322, both referenced above and incorporated herein by reference.

[0038] Hence, as shown in Figs. 1 and 4, the mobile IAP 132 can provide a user terminal 118 with access to the network 100 via a fixed IAP, such as fixed IAP 108. It is noted that the conceptual diagram shown in Fig. 4 indicates that the network 100 can also include a network operations center (NOC) 148, a gate keeper (GK) 150, and an authentication/authorization/accounting (AAA) center 152, the purposes of which can be appreciated by one skilled in the art. Furthermore, as shown in Fig. 5, a mobile IAP 132 can operate as a router to enable intercommunication between mobile terminals 118 which can be hand-held or present in other vehicles 154 and 156. In addition, as shown in Fig. 6, the mobile IAPs 132 can use each other in conjunction with another user terminal 118 in the ad-hoc network, such as a user terminal 118 present in a vehicle 154, to connect to a fixed IAP, such as IAP 108. The mobile IAPs 132 can also establish communications links between each other in the ad-hoc network.

[0039] Accordingly, the functionality of the mobile IAPs 132 and 132-1 as described above provide a sufficiently mobile infrastructure for the network 100, which minimizes the number of the holes in coverage as well as the amount of time that such holes in coverage exist at any location in the network 100. A user terminal 118 who remains stationary may see the signal quality ebb and flow as this infrastructure moved, but would on average observe acceptable signal levels. Also, as can be appreciated by one skilled in the art, modern existing protocols (such as TCP/IP) can overcome the small periods of time when coverage became unacceptable

without breaking the connection or losing data packets. In addition, due to the self-healing features of the ad-hoc network, the coverage and capacity provided by the mobile IAPs 132 and 132-1 will generally be greatest at the locations with the greatest number of user terminals 118.

[0040] Another advantage provided the mobile IAPs 132 and 132-1 is that they can aggregate traffic to the core LAN 102 (see Fig. 1) by concatenating many smaller data packets into larger ones. This technique makes the overall network 100 more efficient. Likewise, the core LAN 102 can aggregate data packets to the mobile IAP 132 or 132-1. The mobile IAP 132 (or 132-1) and core LAN 102 may use the same modulation scheme and frequency as the access network, but are not required to do so if it is determined that a different scheme may be optimal. For example, where mobile user terminals 118 are located relatively close to a fixed or mobile IAP 108, 132 or 132-1, respectively, communication between the terminal and IAP may use low power schemes for short range network connections, such as those presented in IEEE standards 802.11a, 802.11b and 802.11g. Where long range network connections exist, higher power schemes may be used, such as where the IAP must communicate with other fixed and mobile devices at greater distances. The mobile IAP 132-1, as shown in Fig.3, includes a first and second transceiver 134-1 and 134-2, in addition to a first and second antennae 138-1 and 138-2. The IAP 132-1 may configure each transceiver 134-1 and 134-2 for short range network connections, such as where the IAP is merely a router between two closely located user terminals 118, or each transceiver may be configured for long range network connections, or any combination of transceiver configuration may be used.

[0041] Furthermore, if the mobile IAPs 132 or 132-1 are moving at a relatively constant rate and relatively slowly in relation to the mobile user terminals 118, they will have the added benefit of minimizing the Doppler shift issues that plague mobile radio. That is, as can be appreciated by one skilled in the art, Doppler shift issues are more significant for a user terminal 118 travelling at 70 mph with respect to a stationary IAP (e.g., IAP 104, 106 or 108) in comparison to those associated with a user terminal 118 travelling at 70 mph and a mobile IAP 132 or 132-1 which is

moving at 35 mph relative to a stationary IAP 104, 106 or 108 and the core LAN 102, because the relative movement between the user terminal 118 and mobile IAP 132 or 132-1 is only 35 mph, and the relative movement between the mobile IAP 132 or 132-1 and the stationary IAP 104, 106 and 108 and core LAN 102 is only 35 mph. Hence, the overall Doppler shift effect is reduced.

[0042] Although only a few exemplary embodiments of the present invention have been described in detail above, those skilled in the art will readily appreciate that many modifications are possible in the exemplary embodiments without materially departing from the novel teachings and advantages of this invention. Accordingly, all such modifications are intended to be included within the scope of this invention as defined in the following claims.

What is claimed is:

1. A mobile access point, adapted for use with a packet-switched communications network to provide a mobile wireless user terminal with access to the network, said mobile access point comprising:

a first transceiver, adapted to select a first communication protocol and use said first protocol to transmit and receive communications signals to and from at least one of a wireless user terminal, fixed access point and a network;

a second transceiver, adapted to select a second communication protocol and use said second protocol to transmit and receive communications signals to and from at least one of a wireless user terminal, fixed access point and a network; and

a structure, adapted to house said first and second transceiver, and being adapted to mount on or in a mobile vehicle.

2. A mobile access point as claimed in claim 1, wherein:

said selected first communication protocol is adapted to support network access by wireless user terminals and said selected second communication protocol is adapted to support network backhaul service.

3. A mobile access point as claimed in claim 1, wherein:

said first and second communication protocol supports at least one of a plurality of wireless transmission techniques.

4. A mobile access point as claimed in claim 1, wherein:

said first and second communication protocol supports at least one of QDMA, CDMA, TDMA and FDMA modulation formats.

5. A mobile access point as claimed in claim 1, wherein said mobile access point further comprises:

a first and second antenna, said first antenna located in said vehicle and receiving communication signals from at least one of wireless user terminals located in said vehicle, said first antenna electrically coupled to said first transceiver and said first transceiver adapted to support communication protocols of said wireless user terminals; and

said second antenna located outside said vehicle and broadcasting communication signals to at least one of wireless user terminals, fixed access points and networks, said second antenna electrically coupled to said second transceiver and said second transceiver adapted to support communication protocols of said wireless user terminals, fixed access points and networks.

6. A mobile access point as claimed in claim 1, further comprising:
a power connection, adapted to couple to a substantially constant power supply, to provide substantially constant power to said first and second transceiver.

7. A mobile access point as claimed in claim 6, wherein:
said power connection is adapted to couple to said substantially constant power supply of said vehicle.

8. A mobile access point as claimed in claim 1, wherein said mobile vehicle is a bus.

9. A method for providing a mobile access point in a packet-switched communications network to provide a mobile wireless user terminal with access to the network, said method comprising:
coupling a mobile access point to a mobile vehicle; and
transmitting and receiving communications signals between said mobile access terminal and at least one wireless user terminal using a first communication protocol and transmitting and receiving communications signals between said mobile

access terminal and at least one wireless user terminal, fixed access point and network using a second communication protocol.

10. A method as claimed in claim 9, wherein:

said first communication protocol supports network access by wireless user terminals and said second communication protocol supports network backhaul service.

11. A method as claimed in claim 9, wherein:

said first and second communication protocol supports at least one of a plurality of wireless transmission techniques.

12. A method as claimed in claim 9, wherein:

said first and second communication protocol supports at least one of QDMA, CDMA, TDMA and FDMA modulation formats.

13. A method as claimed in claim 9, further comprising:

locating a first antenna in said vehicle and receiving communication signals from at least one wireless user terminal located in said vehicle, said first antenna electrically coupled to said first transceiver and said first transceiver supporting communication protocols of said wireless user terminals; and

locating a second antenna outside said vehicle and broadcasting communication signals to at least one of wireless user terminals, fixed access points and networks, said second antenna electrically coupled to said second transceiver and said second transceiver supporting communication protocols of said wireless user terminals, fixed access points and networks.

14. A method as claimed in claim 9, further comprising:

providing substantially constant power to said mobile access point.

15. A method as claimed in claim 14, wherein:
said providing provides said substantially constant power supply from a power supply of said vehicle.
16. A method as claimed in claim 9, wherein said mobile vehicle is a bus.
17. A mobile access point, adapted for use with a packet-switched communications network comprising at least one fixed access point, to provide a mobile wireless user terminal with access to the network, said mobile access point comprising:
at least one transceiver, adapted to transmit and receive communications signals to and from said wireless user terminal, and to operate as a communications link between said wireless user terminal and said fixed access point, to provide said wireless user terminal with access to said network via said communications link; and
a structure, adapted to house said at least one transceiver, and being adapted to mount on or in a mobile vehicle.
18. A mobile access point as claimed in claim 17, further comprising:
a power connection, adapted to couple to a substantially constant power supply, to provide substantially constant power to said transceiver.
19. A mobile access point as claimed in claim 18, wherein:
said power connection is adapted to coupled to said substantially constant power supply of said vehicle.
20. A mobile access point as claimed in claim 17, wherein:
said transceiver is further adapted to provide a second communications link between said user terminal an another user terminal.
21. A mobile access point as claimed in claim 17, wherein:

said transceiver is further adapted to provide a second communications link with another mobile access point adapted for use with said network.

22. A mobile access point as claimed in claim 17, further comprising:
a location determiner, adapted to determine a geographic location of said mobile access point.

23. A mobile access point as claimed in claim 22, wherein:
said location determiner includes a global positioning system (GPS) receiver.

24. A method for providing a mobile access point in a packet-switched communications network comprising at least one fixed access point, to provide a mobile wireless user terminal with access to the network, said method comprising:
coupling a mobile access point to a mobile vehicle; and
transmitting and receiving communications signals between said mobile access terminal and said wireless user terminal; and
establishing a communications link between said mobile access terminal and said fixed access point, such that said communications link provides said wireless user terminal access to said network via said fixed access point.

25. A method as claimed in claim 24, further comprising:
providing substantially constant power to said mobile access point.

26. A method as claimed in claim 25, wherein:
said providing provides said substantially constant power supply from a power supply of said vehicle.

27. A method as claimed in claim 24, further comprising:
using said mobile access point to provide a second communications link between said user terminal and another user terminal.

28. A method as claimed in claim 24, further comprising:
providing a second communications link between said mobile access point and another mobile access point adapted for use with said network.
29. A method as claimed in claim 24, further comprising:
determining a geographic location of said mobile access point.
30. A method as claimed in claim 29, wherein:
said location determining includes using global positioning system (GPS) technology to determine said geographic location of said mobile access point.

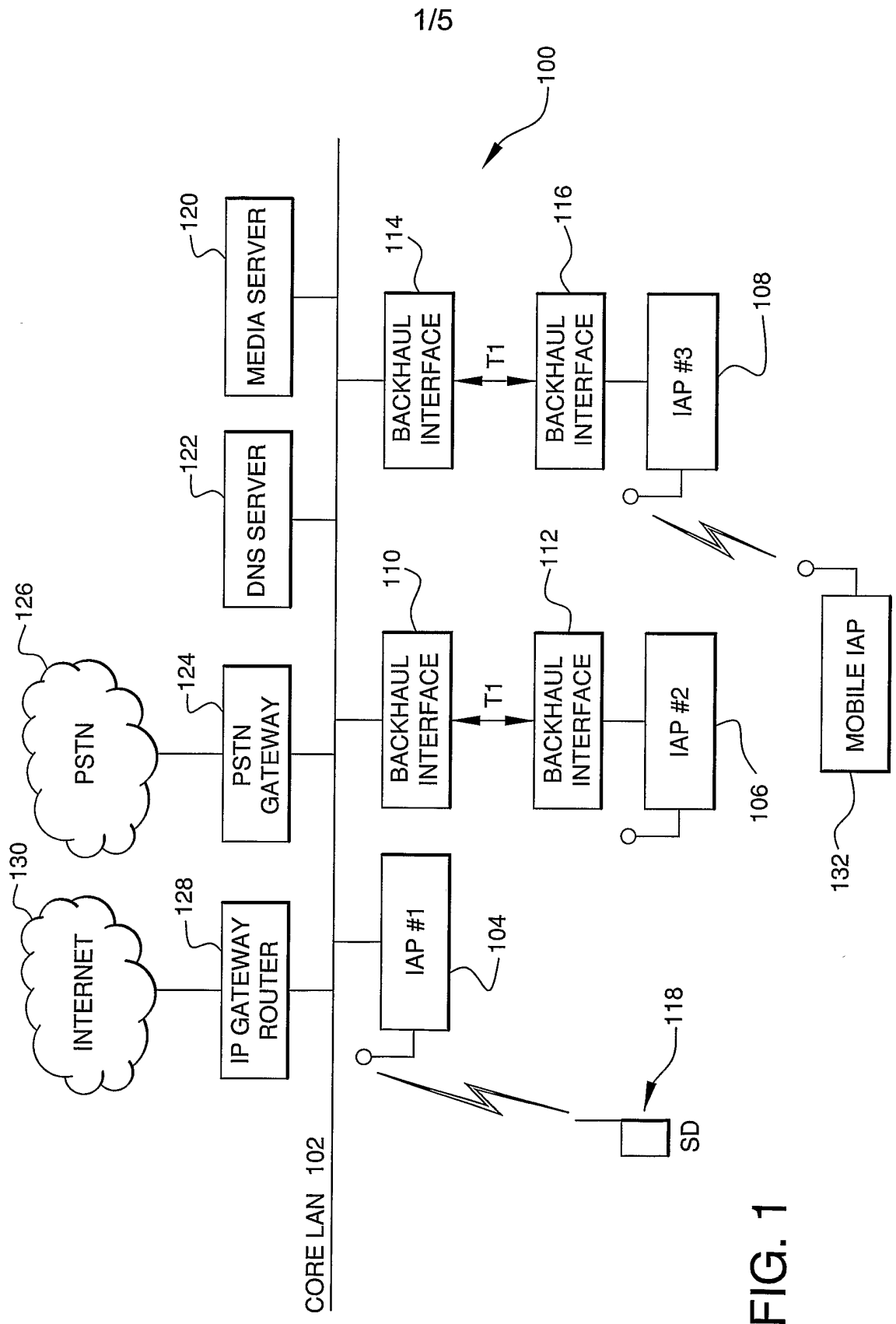


FIG. 1

2/5

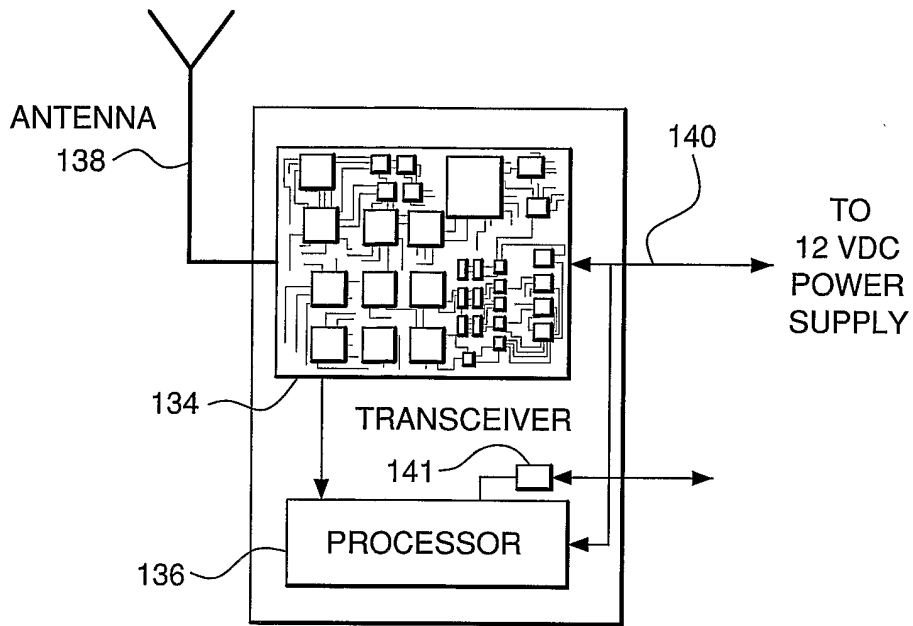


FIG. 2

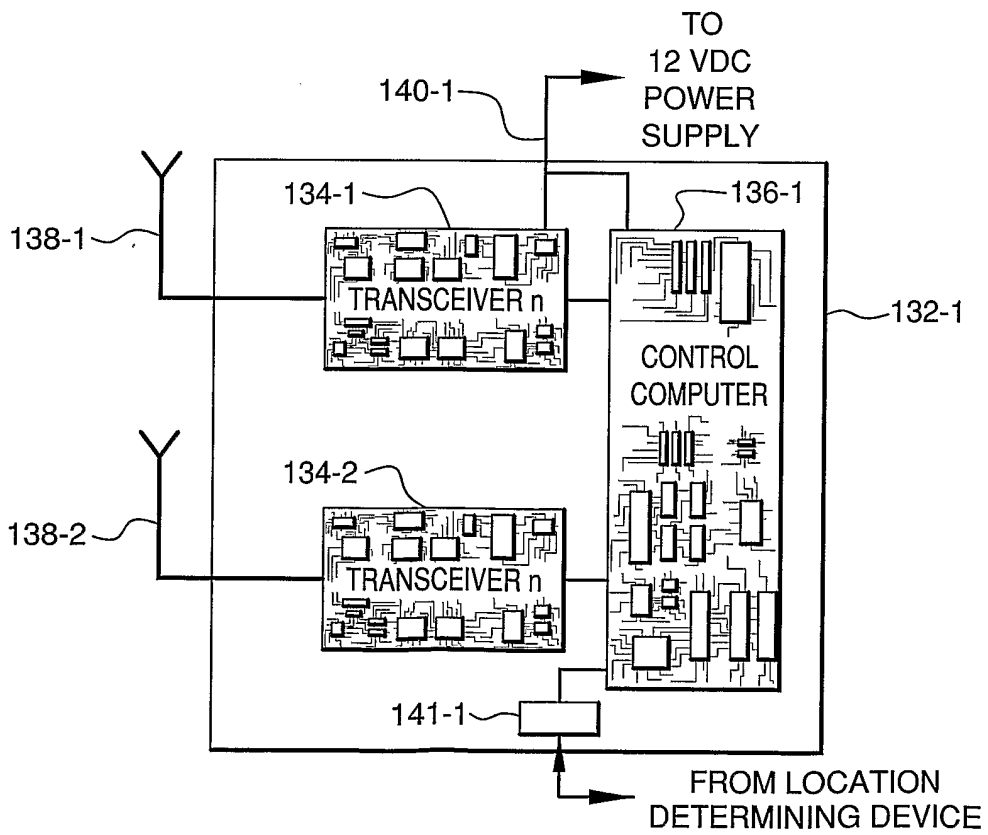


FIG. 3

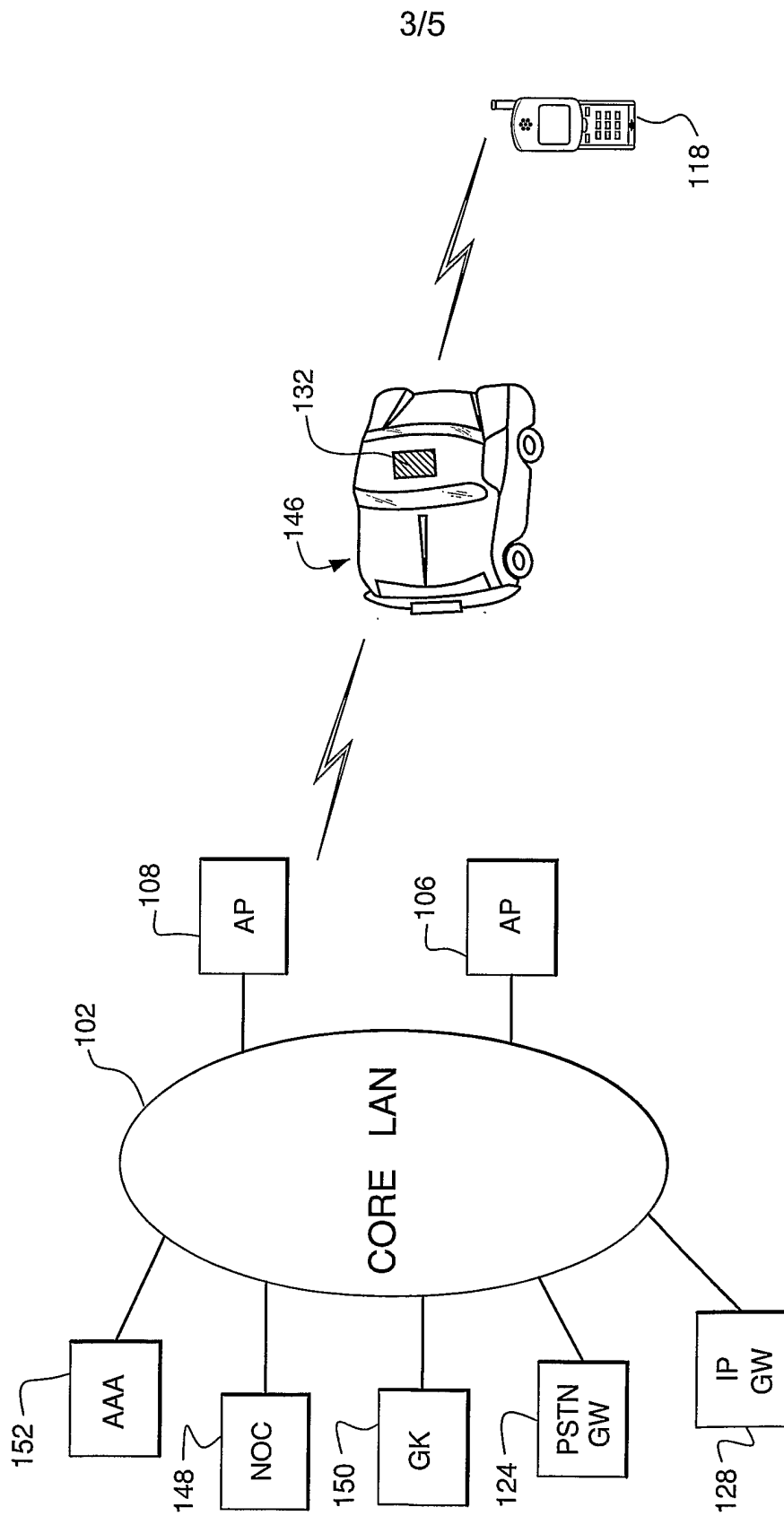


FIG. 4

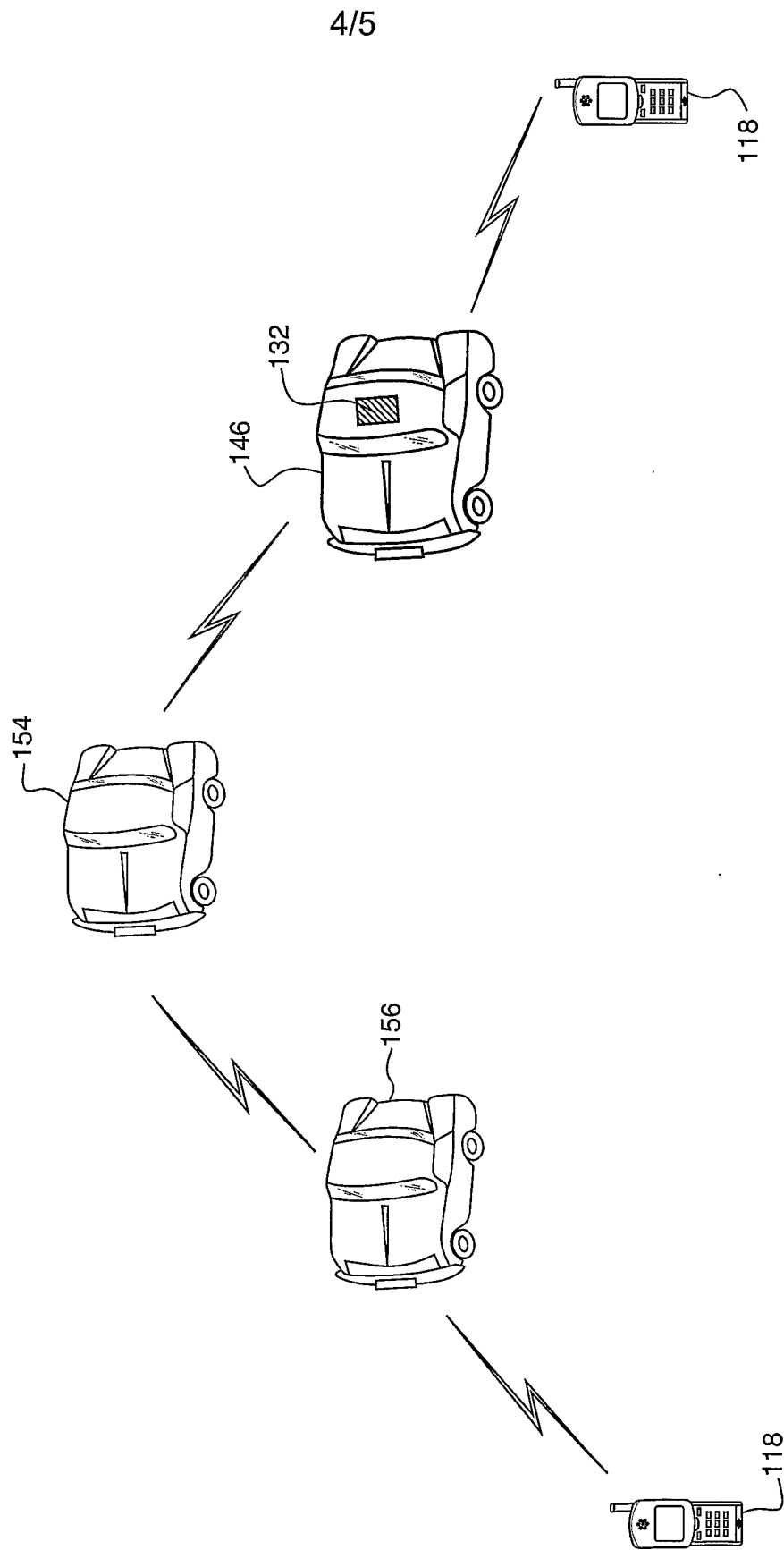


FIG. 5

5/5

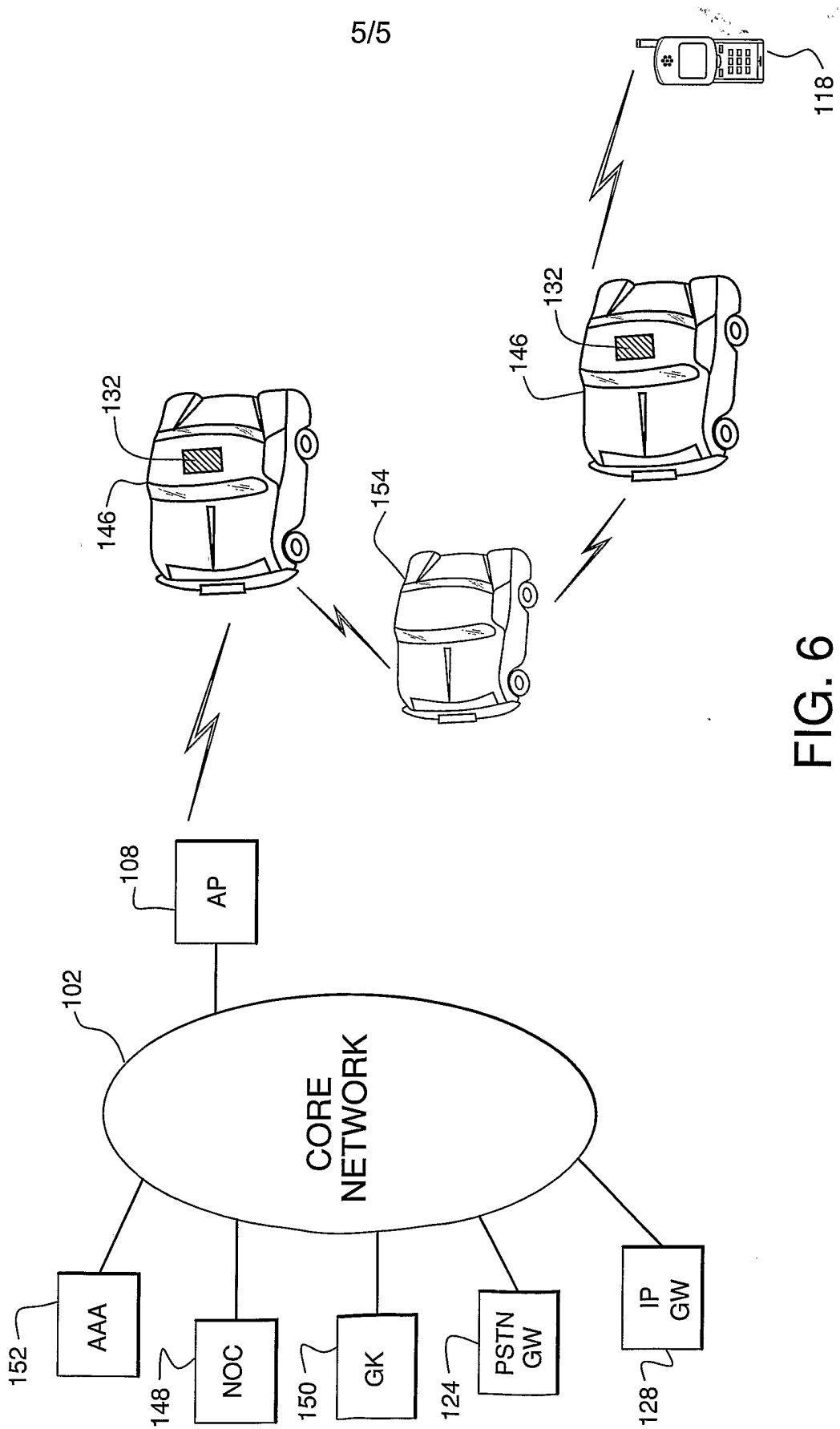


FIG. 6

INTERNATIONAL SEARCH REPORT

International application No.
PCT/US02/25801

A. CLASSIFICATION OF SUBJECT MATTER
 IPC(7) :HO4L 12/56, 12/66
 US CL :370/328, 338, 401, 420, 463; 455/403
 According to International Patent Classification (IPC) or to both national classification and IPC

B. FIELDS SEARCHED
 Minimum documentation searched (classification system followed by classification symbols)
 U.S. : 370/328, 338, 401, 420, 463; 455/403, 560, 426

Documentation searched other than minimum documentation to the extent that such documents are included in the fields searched
 NONE

Electronic data base consulted during the international search (name of data base and, where practicable, search terms used)
 EAST,
 MOBILE, ACCESS, POINT, GATEWAY, NETWORK

C. DOCUMENTS CONSIDERED TO BE RELEVANT

Category*	Citation of document, with indication, where appropriate, of the relevant passages	Relevant to claim No.
Y, P ----- Y,P	US 6,366,568 B1 (BOLGIANO et al.) 02 April 2002, Fig. 1 and Fig. 2, elements 26, 28, 30, 34, 36, and 38, 42 . US 6,405,049 B2 (HERROD et al.) 11 June 2002, Fig. 3.	1-5, 8-13, 16-17, 20-24, and 27-30 ----- 1-30
A, P	US 6,359,872 B1 (MAHANY et al.) 19 March 2002, Fig. 1	1-30
A	US 6,067,297 A (BEACH) 23 May 2000, Fig. 2.	1-30

Further documents are listed in the continuation of Box C. See patent family annex.

* Special categories of cited documents:	"T" later document published after the international filing date or priority date and not in conflict with the application but cited to understand the principle or theory underlying the invention
"A" document defining the general state of the art which is not considered to be of particular relevance	"X" document of particular relevance; the claimed invention cannot be considered novel or cannot be considered to involve an inventive step when the document is taken alone
"E" earlier document published on or after the international filing date	"Y" document of particular relevance; the claimed invention cannot be considered to involve an inventive step when the document is combined with one or more other such documents, such combination being obvious to a person skilled in the art
"L" document which may throw doubts on priority claim(s) or which is cited to establish the publication date of another citation or other special reason (as specified)	"&" document member of the same patent family
"O" document referring to an oral disclosure, use, exhibition or other means	
"P" document published prior to the international filing date but later than the priority date claimed	

Date of the actual completion of the international search: 06 SEPTEMBER 2002
 Date of mailing of the international search report: 12 DEC 2002

Name and mailing address of the ISA/US Commissioner of Patents and Trademarks
 Box PCT
 Washington, D.C. 20231
 Facsimile No. (703) 305-3230

Authorized officer: SEEMA S. RAO
 Telephone No. (703) 305-3749

