

(19) World Intellectual Property Organization
International Bureau



(43) International Publication Date
26 October 2006 (26.10.2006)

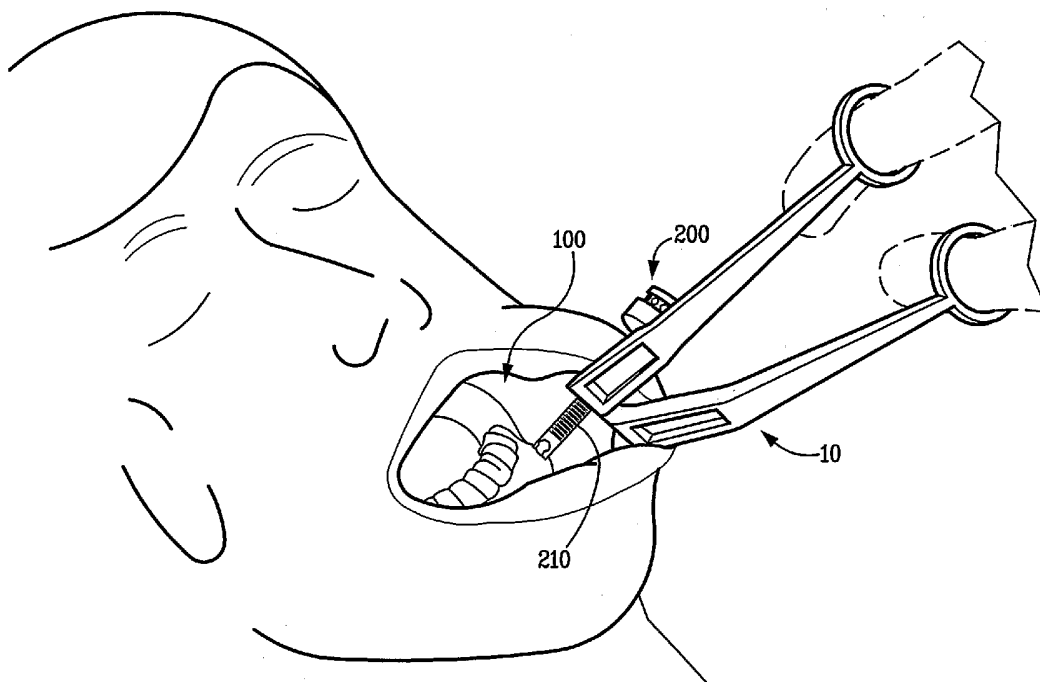
PCT

(10) International Publication Number
WO 2006/113355 A1

- (51) International Patent Classification:
A61B 17/28 (2006.01) A61B 17/34 (2006.01)
A61B 17/02 (2006.01)
- (21) International Application Number:
PCT/US2006/013874
- (22) International Filing Date: 12 April 2006 (12.04.2006)
- (25) Filing Language: English
- (26) Publication Language: English
- (30) Priority Data:
11/105,661 13 April 2005 (13.04.2005) US
- (71) Applicant (for all designated States except US): **HFSC COMPANY** [US/US]; 1302 Wrights Lane East, West Chester, PA 19380 (US).
- (72) Inventors; and
- (75) Inventors/Applicants (for US only): **GRIFFITHS, Bryan James** [US/US]; 83 Arden Lane, Coatesville, PA 19320 (US). **MCGARITY, Owen Carlos** [US/US]; 135 Rutgers Avenue, Swarthmore, PA 19081 (US).
- (74) Agents: **BAILEY, David, R.** et al.; Woodcock Washburn LLP, One Liberty Place, 46th Floor, Philadelphia, PA 19103 (US).
- (81) Designated States (unless otherwise indicated, for every kind of national protection available): AE, AG, AL, AM, AT, AU, AZ, BA, BB, BG, BR, BW, BY, BZ, CA, CH, CN, CO, CR, CU, CZ, DE, DK, DM, DZ, EC, EE, EG, ES, FI, GB, GD, GE, GH, GM, HR, HU, ID, IL, IN, IS, JP, KE, KG, KM, KN, KP, KR, KZ, LC, LK, LR, LS, LT, LU, LV, LY, MA, MD, MG, MK, MN, MW, MX, MZ, NA, NG, NI, NO, NZ, OM, PG, PH, PL, PT, RO, RU, SC, SD, SE, SG, SK, SL, SM, SY, TJ, TM, TN, TR, TT, TZ, UA, UG, US, UZ, VC, VN, YU, ZA, ZM, ZW.
- (84) Designated States (unless otherwise indicated, for every kind of regional protection available): ARIPO (BW, GH, GM, KE, LS, MW, MZ, NA, SD, SL, SZ, TZ, UG, ZM, ZW), Eurasian (AM, AZ, BY, KG, KZ, MD, RU, TJ, TM), European (AT, BE, BG, CH, CY, CZ, DE, DK, EE, ES, FI, FR, GB, GR, HU, IE, IS, IT, LT, LU, LV, MC, NL, PL, PT, RO, SE, SI, SK, TR), OAPI (BF, BJ, CF, CG, CI, CM, GA, GN, GQ, GW, ML, MR, NE, SN, TD, TG).
- Published:
— with international search report
— before the expiration of the time limit for amending the claims and to be republished in the event of receipt of amendments

[Continued on next page]

(54) Title: FORCEPS AND SYSTEM USING SAME



(57) Abstract: A pair of forceps including first and second elongated members pivotally connected together. A handle and a head are defined at opposing ends of the first and second elongated members. In one preferred embodiment, a threaded cannula receiving chamber is disposed in the head, and the elongated members are separable via manipulation of the first and second elongated members with respect to each other.

WO 2006/113355 A1



For two-letter codes and other abbreviations, refer to the "Guidance Notes on Codes and Abbreviations" appearing at the beginning of each regular issue of the PCT Gazette.

FORCEPS AND SYSTEM USING SAME

CROSS REFERENCE TO RELATED APPLICATIONS

[0001] This application claims the benefit of U.S. Patent Application No. 11/105,661, filed April 13, 2005, the disclosure of which is hereby incorporated by reference herein in its entirety.

FIELD OF THE INVENTION

[0002] The present invention relates to forceps, and systems and methods employing the same. Among the many different and non-limiting applications, the forceps are useful for both gripping a cannula that is inserted through soft tissue and retracting the surrounding soft tissue.

BACKGROUND OF THE INVENTION

[0003] One technique for stabilizing a fractured mandible includes attaching a plate to the mandible. A small incision is made in the patient's cheek, and a cannula is inserted through the incision. A plate is passed through the patient's mouth and positioned in an area proximate the fracture. A drill bit can be fed through the cannula for drilling pilot holes into the mandible. Fasteners and fastening devices can also be fed through the cannula to secure the plate to the patient's mandible. Some maxillofacial techniques only use wire, screws or pins, and not a plate, for stabilizing fractured mandibles. A cannula is typically used to drill pilot holes and/or position and secure the wire, screws or pins appropriately.

[0004] Grasping forceps can be used to engage the inserted cannula so that it does not move during the drilling and/or fastening steps. As can be seen in Figure 1, a head portion of a pair of forceps is placed into the patient's mouth to engage a section of the inserted cannula. The head portion and/or a handle portion may be angled in an upward direction to retract the patient's cheek. The retraction creates a line of sight and/or improves the field of vision for the medical attendant to observe the area where the hardware is being installed, and to ensure the well being of the patient.

[0005] An example of prior art forceps is shown in Figure 2. Forceps 1 includes pivotally connected arms 2 and 3, a head region 4 and a handle region 5. Head region 4 comprises a chamber 6 for engaging a cannula or other device. Embodiments of the present invention offer substantial improvements over these and other prior art forceps.

SUMMARY OF THE INVENTION

[0006] In accordance with one preferred embodiment of the present invention, there has now been provided a pair of forceps having first and second elongated members pivotally connected. The first elongated member includes a first head portion and an opposing first handle portion that is angled in a first direction with respect to the first head portion. The first head portion has a first joint component and a tissue contacting surface facing the first direction. The second elongated member includes a second head portion and an opposing second handle portion. The second head portion employs a second joint component that is configured for engaging the first joint component. The first and second joint components are capable of assembly and disassembly without the use of tools. And the first and second joint components are spaced apart from the tissue contacting surface.

[0007] In accordance with another preferred embodiment, there has now been provided a pair of forceps having first and second elongated members pivotally and separably connected. A handle is defined at one end, and a head is defined at an opposing end. The head includes first and second jaws, each of which is associated with a respective one of the first and second elongated members and including an inner surface. A groove is formed in each of the inner surfaces to collectively define a substantially cylindrical gripping chamber upon converging the two jaws. A tissue retracting surface is defined by a surface of at least one of the head and the handle. The tissue retracting surface is oriented orthogonal to the inner surfaces and has a width of at least about 15 mm.

[0008] In accordance with yet another preferred embodiment, there has now been provided a pair of forceps having first and second elongated members pivotally connected. A handle is defined at one end, and a head is defined at an opposing end. A cannula receiving

chamber is disposed in the head and has a threaded surface. The first and second elongated members are separable via manipulation of the first and second elongated members with respect to each other.

[0009] In accordance with another preferred embodiment, there has now been provided a pair of forceps including a head portion having a first jaw, and a second jaw pivotally connected to the first jaw. Each of the first jaw and the second jaw includes an inner surface having a proximal end and a distal end. The inner surfaces are tapered inwardly in a direction from the distal end to the proximal end to define an engagement guide capable of facilitating blind location and engagement of a cannula. A groove is formed in each of the inner surfaces to collectively define a cannula-receiving chamber upon converging said first and second jaws. The grooves are located at the respective proximal ends of the inner surfaces so that a cannula can be positively engaged by passing the first and second jaws around the cannula via the engagement guide until travel is inhibited (that is, the first and second jaws are bottomed out) and then converging the first and second jaws around the cannula.

[0010] These and various other features of novelty, and their respective advantages, are pointed out with particularity in the claims annexed hereto and forming a part hereof. However, for a better understanding of aspects of the invention, reference should be made to the drawings which form a further part hereof, and to the accompanying descriptive matter, in which there is illustrated preferred embodiments.

BRIEF DESCRIPTION OF THE DRAWINGS

[0011] Figure 1 is a perspective view of one preferred forceps embodiment being used in one preferred application.

[0012] Figure 2 is a top plan view of a prior art pair of forceps.

[0013] Figure 3 is a top plan view of the preferred forceps shown in Figure 1.

[0014] Figure 4 is a bottom plan view of the preferred forceps shown in Figure 1.

[0015] Figure 5 is a side view of the preferred forceps shown in Figure 1.

[0016] Figure 6 is a perspective view of one of the elongated members of the preferred forceps shown in Figure 1.

[0017] Figure 7 is a perspective view of the other elongated member of the preferred forceps shown in Figure 1.

DETAILED DESCRIPTION OF ILLUSTRATIVE EMBODIMENTS

[0018] The present invention may be understood more readily by reference to the following detailed description of illustrative and preferred embodiments taken in connection with

the accompanying figures that form a part of this disclosure. It is to be understood that the scope of the claims is not limited to the specific devices, methods, conditions or parameters described and/or shown herein, and that the terminology used herein is for the purpose of describing particular embodiments by way of example only and is not intended to be limiting of the claimed invention. Also, as used in the specification including the appended claims, the singular forms "a," "an," and "the" include the plural, and reference to a particular numerical value includes at least that particular value, unless the context clearly dictates otherwise. When a range of values is expressed, another embodiment includes from the one particular value and/or to the other particular value. Similarly, when values are expressed as approximations, by use of the antecedent "about," it will be understood that the particular value forms another embodiment. All ranges are inclusive and combinable.

[0019] Referring now to the figures, wherein like features are labeled with like reference characters, an exemplary pair of forceps 10 is shown in Figure 1 being used in one preferred application—a maxillofacial operation involving inserting self-drilling screws into a human mandible. Forceps 10 is shown inserted into the patient's mouth 100 and around a threaded cannula 200.

[0020] Referring now to Figures 3-5, exemplary forceps 10 includes first and second elongated members or arms 20 and 30 pivotally connected together. A head 12 is defined by respective head portions 21 and 31, and a handle 14 is defined by handle portions 22 and 32. Elongated members 20 and 30 are connected at a joint 16. In preferred embodiments, joint 16 is non-permanent; that is, the forceps are designed and manufactured to be disassembled for packaging, cleaning/sterilization, and assembled for use. Note that permanent joints can be used in alternative embodiments.

[0021] Each of head portions 21 and 31 includes a jaw 23, 33 having an inner surface 24, 34. The inner jaw surfaces comprise a groove 25, 35 that collectively define a gripping chamber 18 when jaws 23 and 33 are converged. Gripping chamber 18 preferably is threaded to facilitate a secure engagement of a cannula or other device. Non-threaded gripping chambers however can equally be employed. Gripping chamber is shown being substantially cylindrical, but it is not limited to this geometry. Outer surfaces of a cannula or any other device may also be threaded (see, for example, threads 210 on cannula 200 shown in Figure 1), such that the threads associated with gripping chamber 18 can engage threads on the device or object being grasped.

[0022] As shown in Figures 3-5, inner jaw surfaces 24 and 34 are tapered outwardly in a direction from gripping chamber 18 to respective distal ends 26, 36 of the jaws to define an

engagement guide (“V-entry”). Distal ends 26 and 36 are preferably rounded, or otherwise blunt, to prevent injury to the medical attendant or patient. In preferred embodiments, gripping chamber 18 is located at respective proximal ends 27, 37 of the jaws so that a cannula or other device can be positively engaged by “bottoming out” the jaws around a cannula. These “V-entry” and “bottoming out” features are optional, and can be employed to facilitate blind location and engagement of a device, particularly when the device is positioned in an area having a limited field of vision, such as, for example, in a patient’s mouth.

[0023] In addition to grasping a cannula during a maxillofacial procedure, forceps 10 can also be used to retract soft tissue. This is shown in Figure 1. The patient’s cheek is retracted or pulled away from its normal resting position to enable a medical attendant to observe what is happening inside the mouth, and to permit placement and manipulation of objects into the mouth. At least some of the head and/or the handle generally define a tissue contacting surface. Soft tissue can generally be retracted through geometrical and/or dimensional aspects of the tissue contacting surface, by simply moving the forceps after contacting the soft tissue, or through a combination of the two.

[0024] Referring again to Figures 3-5, forceps 10 have a tissue contacting (retracting) surface 40 that is primarily defined by the outer surface of head portion 21, and partially defined by exposed portions of an outer surface of head portion 31. Depending on the length of the forceps’ head and the depth of insertion into the mouth (or other area), tissue contacting surface 40 may also be partially defined by adjacent handle portions 22 and 32. Tissue contacting surface 40 has a width 42 that is preferably between about 5 and 50 mm, more preferably at least about 15 mm, and even more preferably at least about 20 mm.

[0025] A side view of exemplary forceps 10 is shown in Figure 5. From this view, one can see that handle 14 can be angled with respect to head 12 at an angle 44. Generally, angle 44 is between about 10 degrees and 90 degrees, preferably between about 10 degrees and 45 degrees, and more preferably between about 20 degrees and 30 degrees. In one preferred embodiment, angle 44 is around 25 degrees. Handle 14 may also be parallel with head 12; that is, angle 44 would be substantially 0 degrees. In preferred embodiments, and as shown in the figures, handle 14 is angled in a direction towards tissue contact surface 40. Handle 14 itself can also contain an angle 46 that is preferably on the order of about 10 degrees to about 30 degrees, and more preferably about 20 degrees, although smaller and larger angles are contemplated by the present invention. Angle 46 is defined at the intersection of linear handle sections 47 and 48. An elevation change from head 12 to a distal end of handle 14 can be accomplished as shown, through multiple linear sections and corresponding angles (similar or dissimilar in magnitude),

through one or more curvilinear sections, through a combination of linear and curvilinear sections, or through other manners known to the skilled artisan.

[0026] Since a tissue contacting surface may be at least partially defined by the forceps' handle, an elevation change from the head to a distal end of the handle may facilitate the retracting function of the forceps. Further, and in preferred embodiments, handle section 47 (of each handle portion) has a rectangular cross-sectional shape and is oriented so as to maximize the width of the respective handle portions, which in turn, may facilitate the tissue retraction function. As shown, handle section 48 (of each handle portion) has a circular cross-sectional area. Other cross-sectional shapes can equally be employed. And the forceps' handle may have a homogenous or heterogeneous cross-sectional shape.

[0027] Head portions 21, 31 and handle portions 22, 32 may optionally comprise cavities 60 formed in various surfaces, including the top and bottom surfaces, as is shown in the figures. Cavities 60 allow preferred forceps embodiments to employ wide tissue contacting surfaces without substantially increasing the metal requirements for their manufacture. If cavities are employed, it should be understood that there are no limitations to the size, geometry, or uniformity of the cavities.

[0028] Elongated members 20 and 30 are preferably separable, with or without the use of tools. Referring now to Figure 6, elongated member 20 is shown separated from elongated member 30. Elongated member 20 has a male joint component 70 extending from a surface of its head portion 21. Male joint component 70 includes a post 72 and a flange 74 disposed circumferentially around post 72, preferably in a non-continuous manner. The configuration of post 72 and flange 74 may differ from that shown in Figure 6. Male joint component 70 may be integrally formed with elongated member 20, or may alternately be manufactured separately and then joined to member 20 with any number of techniques.

[0029] Elongated member 30 is depicted in Figure 7. Elongated member 30 has a female joint component 80 defined by an aperture 82 and a rib 84 disposed on the aperture's surface, preferably in a non-continuous manner. Female joint component 80 similarly may be integrally formed with elongated member 30 or separately manufactured. Aperture 82 may alternately take the form of a recess in head portion 31. To assemble elongated members 20 and 30, male and female joint members 70, 80 are first aligned so that flange 74 and rib 84 can slip past each other, the elongated members are converged and then rotated sufficiently to position rib 84 under flange 74. Asymmetric design of the elongated members and associated joint members, in preferred embodiments, prevents a user from assembling the forceps incorrectly. Elongated members 20 and 30 are simply rotated in an opposite direction and pulled apart for

disassembly. One of ordinary skill in the art should readily appreciate that other types of joints and corresponding joint components can be used to effect the preferred separability aspect. And different types of manipulation and steps may be required for assembly and disassembly in comparison to that described above.

[0030] In accordance with the invention, preferred forceps embodiments may be used for retracting a patient's cheek and/or performing one or more maxillofacial procedures. For example, a method for retracting a patient's cheek is provided, comprising the steps of assembling exemplary elongated members 20 and 30 (preferably without the use of tools) and positioning the assembled forceps into a patient's mouth so that the patient's cheek is retracted from its normal resting position. Various maxillofacial procedures, such as, for example, stabilizing a fractured mandible, can be facilitated via the preferred retracting forceps. A cannula is typically inserted through a patient's cheek, during some maxillofacial procedures, to permit the passage of instruments and/or fasteners. The forceps can be inserted through the patient's mouth to securely hold the cannula, while also retracting the patient's cheek. After completing the procedure, the forceps can be disassembled for cleaning and/or sterilization. The forceps are preferably separable so that surfaces are non-contacting during sterilization to help ensure the sterilization is effective. The forceps can then be reassembled and employed for another chosen procedure.

[0031] Forceps in accordance with preferred embodiments can be made from any bio-inert material, for example, stainless steel or titanium. The forceps may optionally contain a coating or medicament. The forceps may be made through any number of manufacturing techniques known to the skilled artisan, including, but not limited to, forging and metal injection molding.

[0032] The preferred embodiments have been shown and described for grasping a cannula. It should be understood however, that forceps embodiments provided by the present invention may be used for grasping other devices, such as, for example, tubing, absorbent articles, and implantable members, as well as hard and soft tissue, or for any other grasping, cutting, or tearing. Further, while the present invention has been described in connection with the preferred embodiments of the various figures, it is to be understood that other similar embodiments may be used or modifications and additions may be made to the described embodiment for performing the same function of the present invention without deviating therefrom. Therefore, the present invention should not be limited to any single embodiment, but rather construed in breadth and scope in accordance with the recitation of the appended claims.

What is Claimed:

1. A pair of forceps, comprising:

a first elongated member including a first head portion and an opposing first handle portion that is angled in a first direction with respect to the first head portion, the first head portion comprising: a first joint component, and a tissue contacting surface facing the first direction for retracting an area of soft tissue;

a second elongated member pivotally connected to the first elongated member, the second elongated member including a second head portion and an opposing second handle portion; the second head portion including a second joint component configured for engaging the first joint component;

wherein the first and second joint components are capable of assembly and disassembly without the use of tools, and wherein the first and second joint components are spaced apart from the tissue contacting surface so as not to irritate the soft tissue.

2. The pair of forceps according to claim 1, wherein the tissue contacting surface is partially defined by portions of the second head portion that are exposed and that face the first direction.
3. The pair of forceps according to claim 1, wherein the tissue contacting surface includes a width of at least about 15 mm.
4. The pair of forceps according to claim 1, wherein each of the first and second head portions includes a jaw having an inner surface and a groove formed therein to collectively define a substantially cylindrical gripping chamber.
5. The pair of forceps according to claim 4, wherein each of the inner surfaces is tapered outwardly in a direction from the gripping chamber to a distal end of the respective first and second head portions.
6. The pair of forceps according to claim 4, wherein the gripping chamber includes a threaded surface.

7. The pair of forceps according to claim 1, wherein the first handle portion is angled with respect to the first head portion at an angle between about 10 degrees and about 45 degrees.
8. The pair of forceps according to claim 7, wherein the first handle portion is non-linear.
9. The pair of forceps according to claim 1, wherein the first joint component is a post extending from a surface of the first head portion that is opposite the tissue contacting surface, the post including a non-continuous flange disposed circumferentially around the post.
10. The pair of forceps according to claim 9, wherein the second joint component is an aperture extending through the second head portion, the aperture including a non-continuous rib disposed circumferentially around aperture wall.
11. The pair of forceps according to claim 6, further comprising a cannula engaged within the gripping chamber, wherein the cannula includes a threaded region matable with the threaded surface of the gripping chamber.
12. A pair of forceps, comprising:
 - first and second elongated members pivotally and separably connected together,
 - a handle defined at one end of the first and second elongated members;
 - a head defined at an opposing end of the first and second elongated members, the head including first and second jaws, each of which associated with a respective one of the first and second elongated members and comprising an inner surface;
 - a groove formed in each of the inner surfaces to collectively define a substantially cylindrical gripping chamber upon converging said first and second jaws; and
 - a tissue retracting surface proximate the gripping chamber, the tissue retracting surface being defined by a surface of at least one of the head and the handle, being oriented substantially orthogonal to the inner surfaces, and including a width of at least about 15 mm.
13. The pair of forceps according to claim 12, wherein the first and second elongated members are separable via rotation of the first and second elongated members.

14. The pair of forceps according to claim 12, wherein the first and second elongated members are configured asymmetrically with respect to each other.
15. The pair of forceps according to claim 12, wherein the gripping chamber includes a threaded surface.
16. The pair of forceps according to claim 15, further comprising a cannula engaged within the gripping chamber, wherein the cannula includes a threaded region matable with the threaded surface of the gripping chamber.
17. A pair of forceps, comprising:
 - first and second elongated members pivotally connected together;
 - a handle defined at one end of the first and second elongated members;
 - a head defined at an opposing end of the first and second elongated members; and
 - a cannula receiving chamber defined in the head, the cannula receiving chamber having a threaded surface;wherein the first and second elongated members are separable via manipulation of the first and second elongated members with respect to each other.
18. The pair of forceps according to claim 17, wherein the head defines a tissue retracting surface having a width of at least about 15 mm.
19. The pair of forceps according to claim 17, wherein components of the joint for pivotally connecting the first and second elongated members are integrally formed with the first and second elongated members.
20. The pair of forceps according to claim 17, further comprising a cannula engaged within the cannula receiving chamber, wherein the cannula includes a threaded region matable with the threaded surface of the cannula receiving chamber.
21. A pair of forceps, comprising:

a head including a first jaw, and a second jaw pivotally connected to the first jaw; each of the first jaw and the second jaw including an inner surface having a proximal end and a distal end, the inner surfaces being tapered inwardly in a direction from the distal end to the proximal end to define an engagement guide capable of facilitating blind location and engagement of a cannula; and

a groove formed in each of the inner surfaces to collectively define a cannula receiving chamber upon converging said first and second jaws, the grooves located at the respective proximal ends so that a cannula can be positively engaged by passing the first and second jaws around the cannula via the engagement guide until travel is inhibited and then converging the first and second jaws around the cannula.

22. The pair of forceps according to claim 21, wherein the forceps are separable without the use of tools.

23. The pair of forceps according to claim 21, wherein the head defines a tissue contacting surface that is substantially orthogonal to the inner surfaces, the tissue contacting surface has a width of at least about 15 mm.

24. The pair of forceps according to claim 21, wherein the cannula receiving chamber is threaded.

25. A method for retracting a patient's cheek, comprising the steps of:

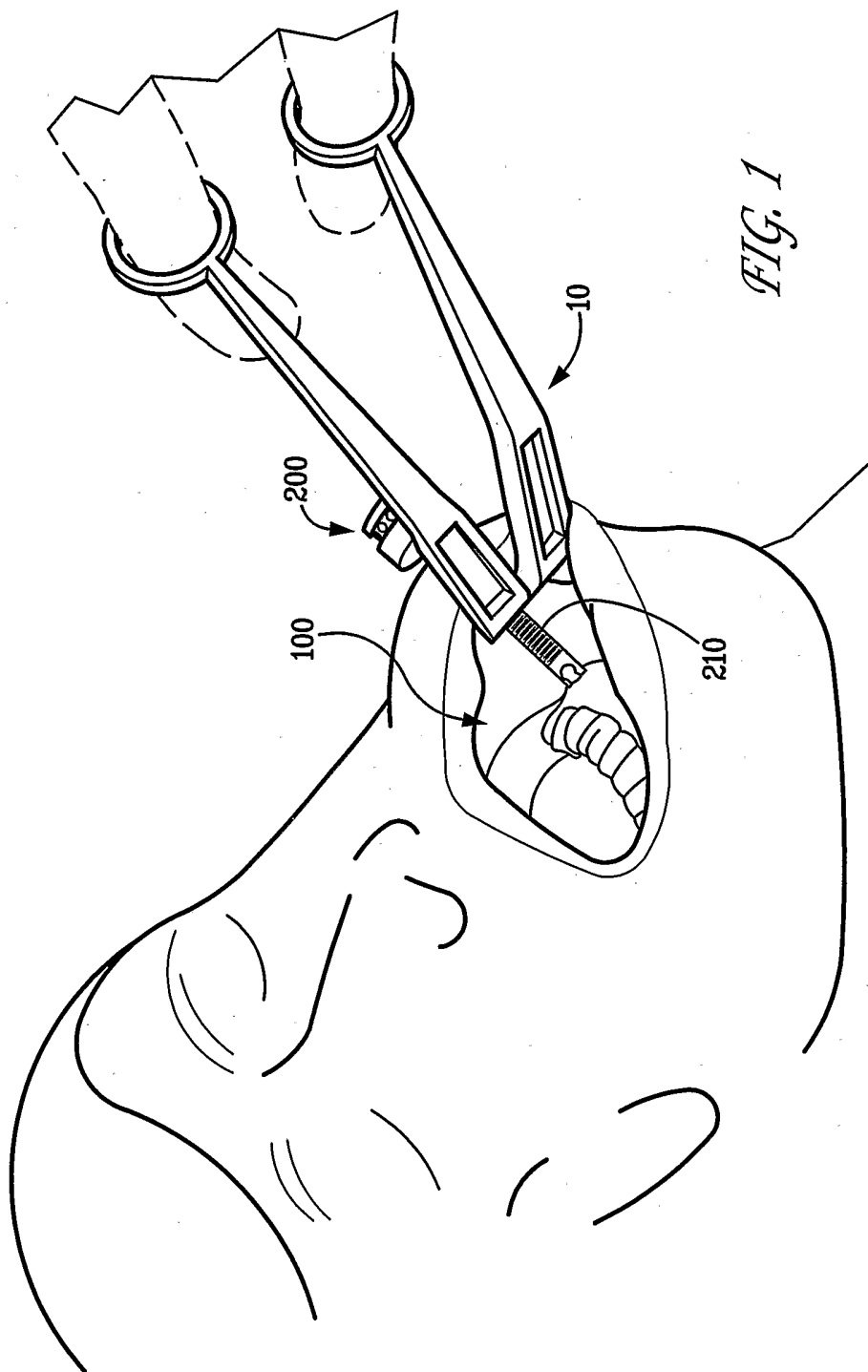
(a) assembling a pair of cannula-gripping forceps without the use of tools, the pair of cannula-gripping forceps including a first elongated member and a separable second elongated member, each of the elongated members having a head portion and an opposing handle portion; and

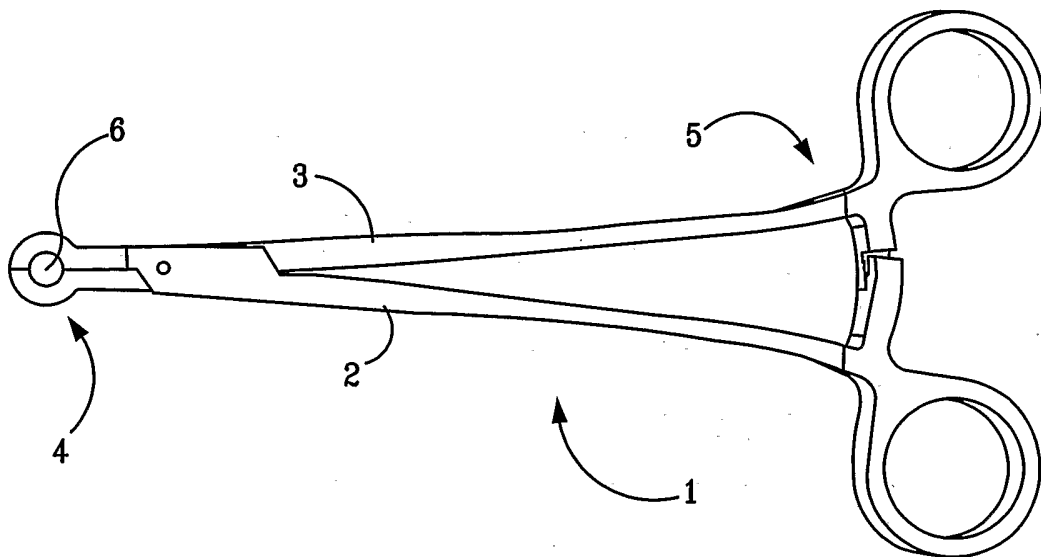
(b) positioning the assembled head portions into the patient's mouth so that the patient's cheek is retracted from its normal resting position.

26. The method of claim 25, further comprising the step of: (c) performing a maxillofacial procedure by gripping a cannula extending through the patient's cheek and passing instruments or fasteners into the patient's mouth via the cannula.

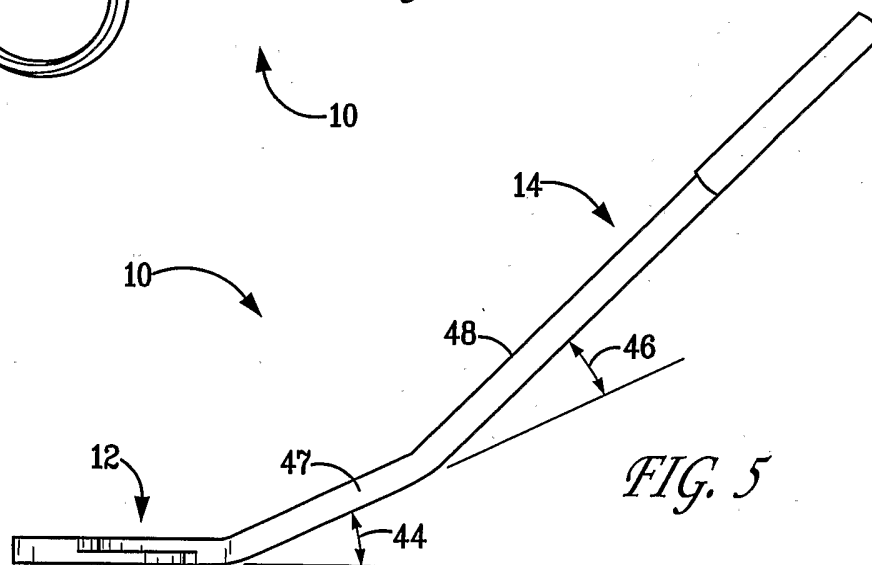
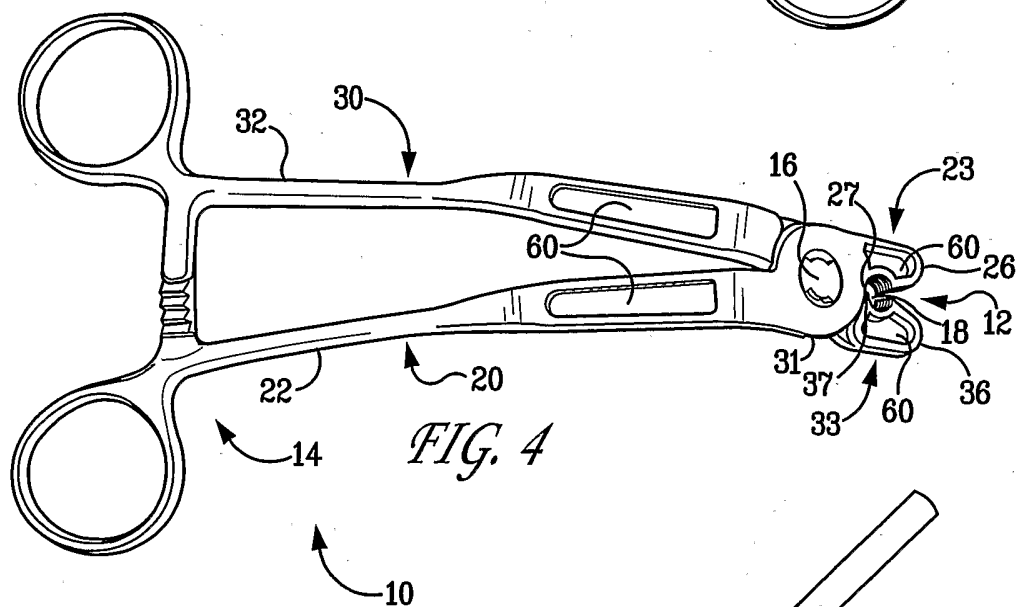
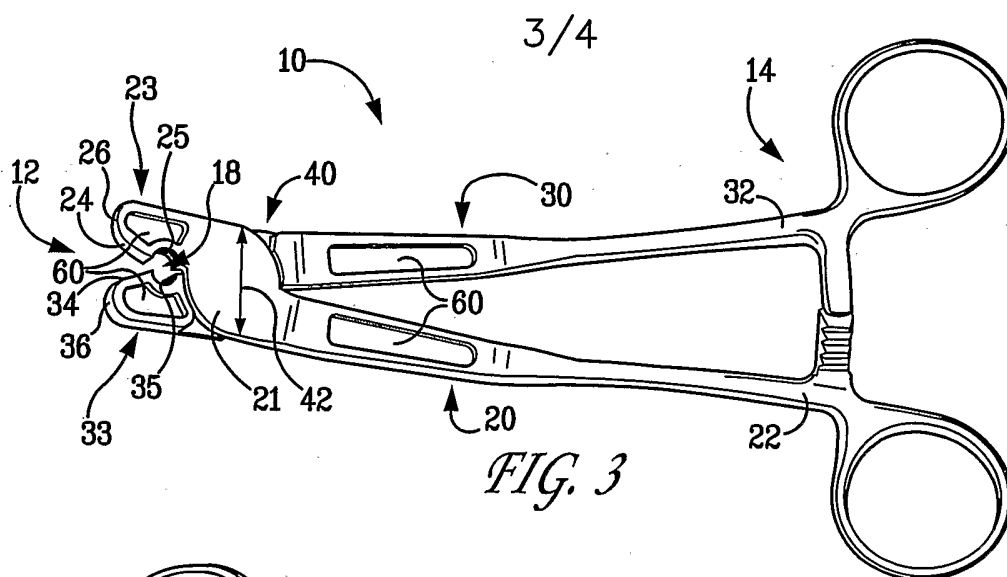
27. The method of claim 26, further comprising the step of: (d) disassembling the pair of forceps after performing the maxillofacial procedure.

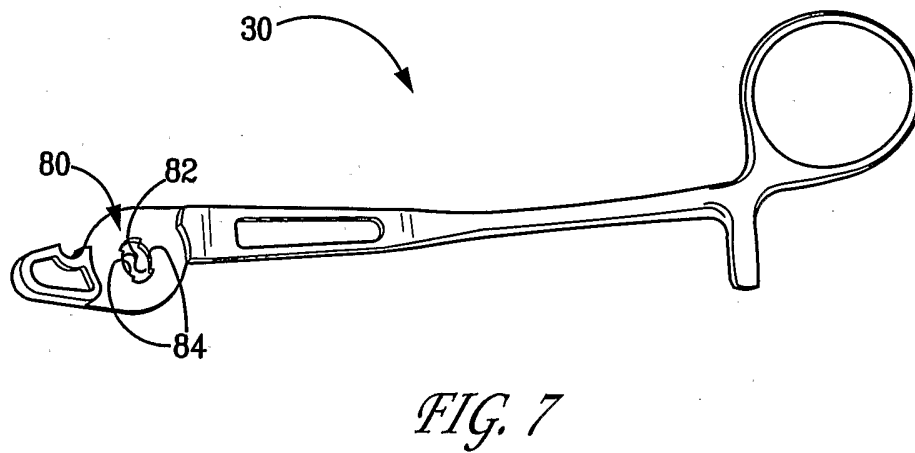
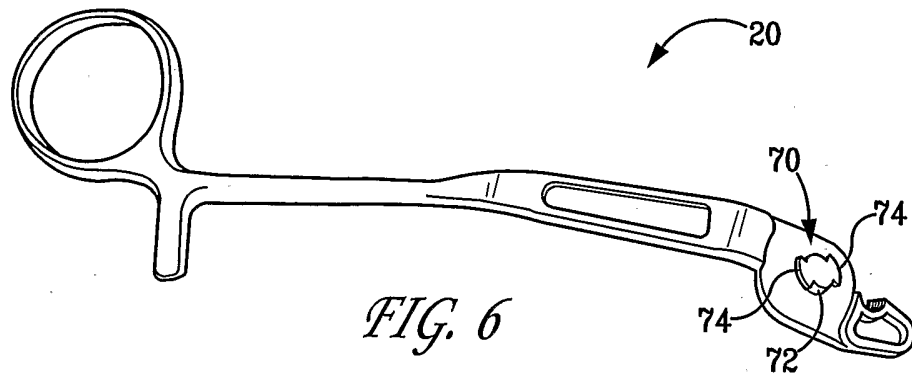
28. The method of claim 27, further comprising the steps of: (e) sterilizing the disassembled pair of forceps; (f) reassembling the pair of forceps; and (g) performing a second maxillofacial procedure on the same patient or a different patient.





Prior Art
FIG. 2





INTERNATIONAL SEARCH REPORT

International application No
PCT/US2006/013874

A. CLASSIFICATION OF SUBJECT MATTER
 INV. A61B17/28 A61B17/02
 ADD. A61B17/34

According to International Patent Classification (IPC) or to both national classification and IPC

B. FIELDS SEARCHED

Minimum documentation searched (classification system followed by classification symbols)
 A61B

Documentation searched other than minimum documentation to the extent that such documents are included in the fields searched

Electronic data base consulted during the international search (name of data base and, where practical, search terms used)

EPO-Internal

C. DOCUMENTS CONSIDERED TO BE RELEVANT

Category*	Citation of document, with indication, where appropriate, of the relevant passages	Relevant to claim No.
X	US 2005/033339 A1 (GRAYZEL JEFFREY ET AL) 10 February 2005 (2005-02-10) page 5, paragraph 100 - page 6, paragraph 118 figures 1-7	1-5, 7-10, 12-14, 21-23
X	DE 41 15 548 A1 (STORZ, KARL, DR.MED.H.C., 7200 TUTTLINGEN, DE; STORZ, KARL, DR.MED.H.C) 21 November 1991 (1991-11-21) column 2, line 3 - column 3, line 35 figures	1-4, 7-10,12, 13,21-23

Further documents are listed in the continuation of Box C.

See patent family annex.

* Special categories of cited documents :

- *A* document defining the general state of the art which is not considered to be of particular relevance
- *E* earlier document but published on or after the international filing date
- *L* document which may throw doubts on priority claim(s) or which is cited to establish the publication date of another citation or other special reason (as specified)
- *O* document referring to an oral disclosure, use, exhibition or other means
- *P* document published prior to the international filing date but later than the priority date claimed

- *T* later document published after the international filing date or priority date and not in conflict with the application but cited to understand the principle or theory underlying the invention
- *X* document of particular relevance; the claimed invention cannot be considered novel or cannot be considered to involve an inventive step when the document is taken alone
- *Y* document of particular relevance; the claimed invention cannot be considered to involve an inventive step when the document is combined with one or more other such documents, such combination being obvious to a person skilled in the art.
- *Z* document member of the same patent family

Date of the actual completion of the international search

4 August 2006

Date of mailing of the international search report

14/08/2006

Name and mailing address of the ISA/
 European Patent Office, P.B. 5818 Patentlaan 2
 NL - 2280 HV Rijswijk
 Tel. (+31-70) 340-2040, Tx. 31 651 epo nl,
 Fax: (+31-70) 340-3016

Authorized officer

 Compos, F

INTERNATIONAL SEARCH REPORT

International application No

PCT/US2006/013874

C(Continuation). DOCUMENTS CONSIDERED TO BE RELEVANT		
Category*	Citation of document, with indication, where appropriate, of the relevant passages	Relevant to claim No.
X	US 6 361 541 B1 (BARNHART WILLIAM H) 26 March 2002 (2002-03-26) column 4, line 66 - column 6, line 24 figures 7A-7G -----	1-4, 9, 10, 12, 13, 21-23
X	US 2005/004590 A1 (WATERS AMNERIS C ET AL) 6 January 2005 (2005-01-06) page 2, paragraph 24 - paragraph 27 figures 2-4 -----	12, 13
A	US 2004/093020 A1 (SINTON RICHARD THOMPSON) 13 May 2004 (2004-05-13) page 2, paragraph 34 - page 3, paragraph 39 figures 1-3 -----	1, 13, 22
A	US 2 632 661 A (CRISTOFV CRISTJO) 24 March 1953 (1953-03-24) the whole document -----	1, 13, 22
A	DE 743 853 C (ALOIS HIPP; MAX HIPP JUN) 4 January 1944 (1944-01-04) the whole document -----	1, 13, 22
A	US 2004/106947 A1 (PROPP DONALD J ET AL) 3 June 2004 (2004-06-03) page 2, paragraph 25 - page 3, paragraph 31 figures 4-10 -----	1, 13, 22

INTERNATIONAL SEARCH REPORT

International application No.
PCT/US2006/013874

Box II Observations where certain claims were found unsearchable (Continuation of item 2 of first sheet)

This International Search Report has not been established in respect of certain claims under Article 17(2)(a) for the following reasons:

1. Claims Nos.: 25-28
because they relate to subject matter not required to be searched by this Authority, namely:
Rule 39.1(iv) PCT - Method for treatment of the human or animal body by surgery
2. Claims Nos.:
because they relate to parts of the international application that do not comply with the prescribed requirements to such an extent that no meaningful international search can be carried out, specifically:
3. Claims Nos.:
because they are dependent claims and are not drafted in accordance with the second and third sentences of Rule 6.4(a).

Box III Observations where unity of invention is lacking (Continuation of item 3 of first sheet)

This International Searching Authority found multiple inventions in this international application, as follows:

1. As all required additional search fees were timely paid by the applicant, this International Search Report covers all searchable claims.
2. As all searchable claims could be searched without effort justifying an additional fee, this Authority did not invite payment of any additional fee.
3. As only some of the required additional search fees were timely paid by the applicant, this International Search Report covers only those claims for which fees were paid, specifically claims Nos.:
4. No required additional search fees were timely paid by the applicant. Consequently, this International Search Report is restricted to the invention first mentioned in the claims; it is covered by claims Nos.:

Remark on Protest

- The additional search fees were accompanied by the applicant's protest.
- No protest accompanied the payment of additional search fees.

INTERNATIONAL SEARCH REPORT

Information on patent family members

International application No
PCT/US2006/013874

Patent document cited in search report	Publication date	Patent family member(s)	Publication date
US 2005033339 A1	10-02-2005	US 6761725 B1	13-07-2004
DE 4115548 A1	21-11-1991	NONE	
US 6361541 B1	26-03-2002	AU 5101099 A WO 0003644 A1	07-02-2000 27-01-2000
US 2005004590 A1	06-01-2005	NONE	
US 2004093020 A1	13-05-2004	AU 6050901 A EP 1289433 A1 WO 0195812 A1	24-12-2001 12-03-2003 20-12-2001
US 2632661 A	24-03-1953	NONE	
DE 743853 C	04-01-1944	NONE	
US 2004106947 A1	03-06-2004	AU 2003230666 A1 DE 10392131 T5 WO 03082131 A1 US 2005145510 A1 US 2003181944 A1	13-10-2003 28-10-2004 09-10-2003 07-07-2005 25-09-2003