



US00D734129S

(12) **United States Design Patent**  
**Allen et al.**

(10) **Patent No.:** **US D734,129 S**

(45) **Date of Patent:** **\*\* Jul. 14, 2015**

(54) **MOUNTING PLATE**

(75) Inventors: **Philip Allen**, Wahroonga (AU); **David Stocks**, Bensville (AU); **Scott Ibbotson**, Pennant Hills (AU)

(73) Assignee: **HUNTER PACIFIC INTERNATIONAL PTY LTD**, Dural NSW (AU)

(\*\*) Term: **14 Years**

(21) Appl. No.: **29/424,191**

(22) Filed: **Jun. 8, 2012**

(30) **Foreign Application Priority Data**

Dec. 9, 2011 (AU) ..... 15617/2011

(51) **LOC (10) Cl.** ..... **08-08**

(52) **U.S. Cl.**  
USPC ..... **D8/354**

(58) **Field of Classification Search**  
USPC ..... D8/349, 354, 366, 371, 373, 374, 400;  
D23/385; 362/147; 248/343, 342, 345  
See application file for complete search history.

(56) **References Cited**

**U.S. PATENT DOCUMENTS**

D90,938 S	10/1933	Beck	
2,739,780 A	3/1956	Richards	
4,073,598 A	2/1978	Mizutani et al.	
D255,982 S *	7/1980	Germann	D8/366
4,592,702 A	6/1986	Bogage	
4,634,345 A	1/1987	Stanek et al.	
4,697,777 A	10/1987	Yang	
D298,454 S	11/1988	Clyde-Mason	
D298,931 S	12/1988	Sekiguchi	
D312,687 S	12/1990	Mason et al.	
D321,933 S	11/1991	Markwardt et al.	
5,069,433 A	12/1991	Womack	
D328,639 S	8/1992	Hsieh	
D328,785 S	8/1992	Markwardt	

D329,087 S	9/1992	Markwardt	
5,263,676 A *	11/1993	Medlin et al.	248/300
D342,311 S	12/1993	Rezek	
5,303,894 A *	4/1994	Deschamps et al.	248/343
D357,978 S	5/1995	Young	
D358,365 S	5/1995	Rodeffer et al.	
D361,377 S	8/1995	Tsuji	
D370,031 S *	5/1996	Dabrowski	D20/8
D372,080 S	7/1996	Dolan	
D385,026 S	10/1997	Liu	
D386,257 S	11/1997	Liu	
D387,149 S	12/1997	Tsuji	
D389,908 S	1/1998	Dolan	
D391,661 S	3/1998	Pan	
D396,531 S	7/1998	Lieu	

(Continued)

**OTHER PUBLICATIONS**

Notice of Allowance for U.S. Appl. No. 29/424,184, mailed Aug. 7, 2013, 8 pages.

(Continued)

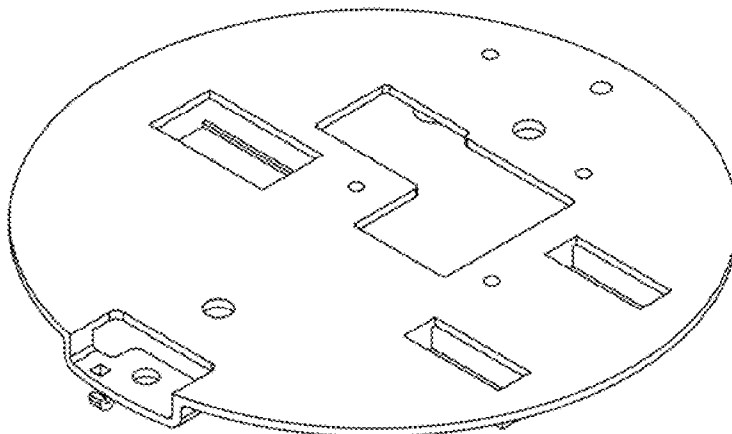
*Primary Examiner* — Mark Goodwin  
(74) *Attorney, Agent, or Firm* — Sheridan Ross P.C.

(57) **CLAIM**  
The ornamental design for a mounting plate, as shown.

**DESCRIPTION**

FIG. 1 is a top perspective view of a mounting plate showing our new design;  
FIG. 2 is another top perspective view thereof;  
FIG. 3 is a bottom perspective view thereof;  
FIG. 4 is another bottom perspective view thereof;  
FIG. 5 is a front elevation view thereof;  
FIG. 6 is a rear elevation view thereof;  
FIG. 7 is a top plan view thereof;  
FIG. 8 is a bottom plan view thereof;  
FIG. 9 is a left side view thereof; and,  
FIG. 10 is a right side view thereof.

**1 Claim, 10 Drawing Sheets**



(56)

References Cited

U.S. PATENT DOCUMENTS

D408,515 S 4/1999 Evans  
 D420,733 S 2/2000 Chen  
 6,042,072 A 3/2000 Chi-Nan  
 D424,680 S 5/2000 Wenzlick  
 D430,330 S 8/2000 Hammar  
 6,139,279 A 10/2000 Pearce et al.  
 D441,119 S 4/2001 Crosby  
 D441,483 S 5/2001 Schaefer et al.  
 D442,315 S 5/2001 Schaefer et al.  
 D443,262 S \* 6/2001 Caren ..... D14/224  
 D449,218 S \* 10/2001 Vrame ..... D8/354  
 D453,216 S 1/2002 Gajewski  
 6,439,527 B1 \* 8/2002 Lin ..... 248/343  
 D464,164 S 10/2002 Thompson  
 D476,406 S 6/2003 Friedes  
 D476,728 S 7/2003 Gajewski  
 D478,974 S 8/2003 Hidalgo  
 D480,948 S \* 10/2003 Patrizzi et al. .... D8/373  
 D485,002 S 1/2004 Lin  
 D492,053 S 6/2004 Graves et al.  
 6,790,008 B1 \* 9/2004 Huang ..... 416/244 R  
 6,877,703 B2 4/2005 Tang  
 6,885,797 B2 4/2005 Lee et al.  
 D510,426 S 10/2005 Garcia, Jr.  
 6,971,854 B2 12/2005 Krakowski  
 6,981,678 B2 1/2006 Fu-Liang  
 D514,731 S 2/2006 Engel  
 7,050,306 B1 5/2006 Ribeiro et al.  
 7,080,813 B1 7/2006 Frampton et al.  
 D530,039 S 10/2006 Blackman  
 D531,010 S \* 10/2006 Vrame ..... D8/354  
 D534,904 S \* 1/2007 Crawford ..... D14/238  
 D536,238 S \* 2/2007 Conley et al. .... D8/354  
 D541,970 S 5/2007 Blackman  
 D544,441 S 6/2007 Sichner et al.  
 D544,836 S 6/2007 Sichner et al.  
 D545,762 S 7/2007 Sichner et al.  
 7,261,520 B2 8/2007 Wang  
 D559,785 S 1/2008 Tosetti  
 D562,115 S \* 2/2008 Michaud et al. .... D8/366  
 D564,123 S 3/2008 Porter  
 D566,258 S 4/2008 Bucher et al.  
 D571,736 S 6/2008 Copeland et al.  
 D582,486 S \* 12/2008 Ashida et al. .... D21/333  
 D583,221 S \* 12/2008 Johnsen ..... D8/354  
 D587,656 S 3/2009 Shen et al.  
 7,510,160 B1 3/2009 Wang  
 D590,489 S 4/2009 Bucher et al.  
 7,527,232 B2 5/2009 Frampton et al.  
 D593,962 S 6/2009 Ross et al.  
 D597,198 S 7/2009 Parker et al.  
 D599,461 S 9/2009 Ertze  
 D601,092 S 9/2009 Rupp et al.  
 D605,128 S 12/2009 Gribble et al.  
 D605,751 S 12/2009 Yang  
 D608,737 S 1/2010 Upham et al.  
 D609,799 S 2/2010 Lee  
 7,665,967 B1 2/2010 Parker et al.  
 D611,136 S 3/2010 Orozco  
 D615,183 S 5/2010 Parker et al.  
 D625,252 S 10/2010 Nguyen et al.  
 D627,051 S 11/2010 Pan  
 D628,687 S 12/2010 Yao  
 7,874,860 B2 1/2011 Starke et al.  
 D631,955 S 2/2011 Villella et al.  
 7,927,071 B2 4/2011 Parker et al.  
 7,969,744 B2 6/2011 Mathes et al.  
 8,007,238 B2 \* 8/2011 Yao ..... 416/146 R  
 D645,135 S 9/2011 Orozco  
 D652,411 S \* 1/2012 Crawford et al. .... D14/238  
 8,107,243 B2 1/2012 Guccione et al.  
 D660,806 S 5/2012 Wong

D660,953 S 5/2012 Allen et al.  
 D663,829 S 7/2012 Allen et al.  
 8,241,017 B2 8/2012 Yamamoto et al.  
 D675,570 S 2/2013 Muller  
 D676,388 S 2/2013 Muller  
 D679,794 S 4/2013 Allen et al.  
 D679,795 S 4/2013 Allen et al.  
 2004/0115062 A1 \* 6/2004 Pearce ..... 416/244 R  
 2005/0006549 A1 1/2005 Liu  
 2005/0067545 A1 \* 3/2005 Coble et al. .... 248/343  
 2005/0077446 A1 \* 4/2005 Bacon et al. .... 248/343  
 2006/0274519 A1 \* 12/2006 Pearce ..... 362/96  
 2006/0278766 A1 \* 12/2006 Wang ..... 248/74.1  
 2008/0224013 A1 9/2008 Huang  
 2008/0260345 A1 10/2008 Mertesdorf et al.  
 2009/0034165 A1 2/2009 Tyler et al.  
 2009/0053061 A1 2/2009 Wang  
 2009/0078443 A1 \* 3/2009 Halbert ..... 174/63  
 2009/0141458 A1 6/2009 Liu et al.  
 2009/0294620 A1 12/2009 Lin  
 2011/0031367 A1 2/2011 Wang  
 2011/0031368 A1 2/2011 Wang  
 2011/0052411 A1 3/2011 Yamamoto et al.  
 2011/0103025 A1 5/2011 Ross et al.  
 2011/0165002 A1 \* 7/2011 Noble ..... 417/423.7  
 2011/0228967 A1 \* 9/2011 Kulchy et al. .... 381/394  
 2011/0305571 A1 12/2011 Heim et al.  
 2012/0070223 A1 3/2012 Wimberley  
 2012/0162929 A1 6/2012 Huang  
 2012/0307459 A1 12/2012 Sakuma et al.  
 2013/0136603 A1 5/2013 Kuramochi et al.  
 2013/0272879 A1 10/2013 Chen

OTHER PUBLICATIONS

Official Action for U.S. Appl. No. 29/424,185 mailed Feb.12, 2014, 7 pages.  
 Official Action for U.S. Appl. No. 29/424,186 mailed Dec. 20, 2013, 10 pages.  
 Notice of Allowance for U.S. Appl. No. 29/424,189 mailed Dec. 17, 2013, 12 pages.  
 Official Action for U.S. Appl. No. 29/424,193 mailed Nov. 27, 2013, 7 pages.  
 Notice of Allowance for U.S. Appl. No. 29/424,194 mailed Feb. 14, 2014, 8 pages.  
 Official Action for U.S. Appl. No. 29/424,183 mailed Feb. 26, 2014, 6 pages.  
 Official Action for U.S. Appl. No. 29/424,183 mailed Apr. 21, 2014, 5 pages.  
 Notice of Allowance for U.S. Appl. No. 29/424,183 mailed May 13, 2014, 5 pages.  
 Official Action for U.S. Appl. No. 29/424,185 mailed Apr. 28, 2014, 5 pages.  
 Notice of Allowance for U.S. Appl. No. 29/424,185 mailed May 15, 2014, 5 pages.  
 Official Action for U.S. Appl. No. 29/424,186 mailed Mar. 25, 2014, 8 pages.  
 Notice of Allowance for U.S. Appl. No. 29/424,186 mailed May 12, 2014, 5 pages.  
 Notice of Allowance for U.S. Appl. No. 29/424,188 mailed May 23, 2014, 9 pages.  
 Notice of Allowance for U.S. Appl. No. 29/424,193 mailed Mar. 6, 2014, 8 pages.  
 U.S. Appl. No. 29/424,183, Allen et al., filed Jun. 8, 2012.  
 U.S. Appl. No. 29/424,184, Allen et al., filed Jun. 8, 2012.  
 U.S. Appl. No. 29/424,185, Allen et al., filed Jun. 8, 2012.  
 U.S. Appl. No. 29/424,186, Allen et al., filed Jun. 8, 2012.  
 U.S. Appl. No. 29/424,188, Allen et al., filed Jun. 8, 2012.  
 U.S. Appl. No. 29/424,189, Allen et al., filed Jun. 8, 2012.  
 U.S. Appl. No. 29/424,193, Allen et al., filed Jun. 8, 2012.  
 U.S. Appl. No. 29/424,194, Allen et al., filed Jun. 8, 2012.

\* cited by examiner

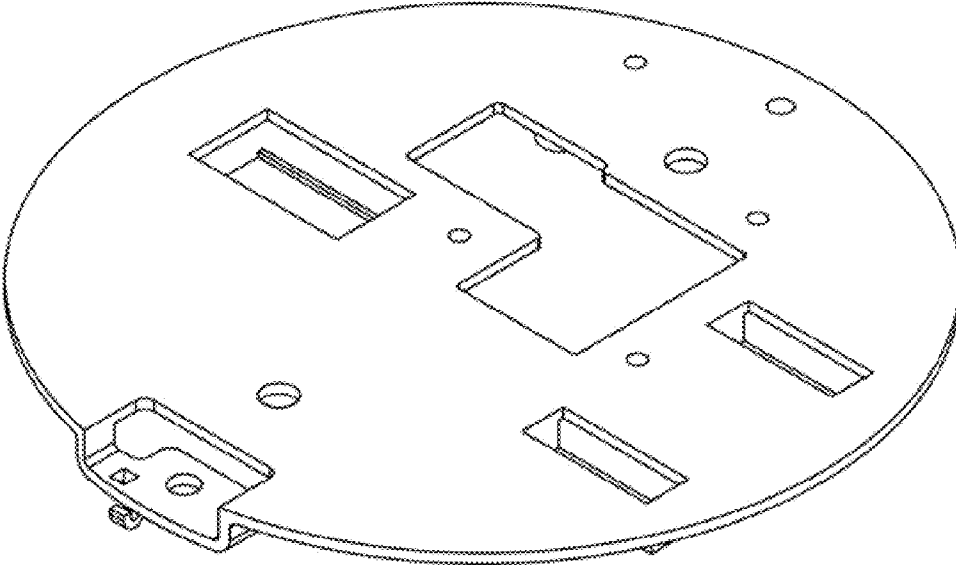


FIG. 1

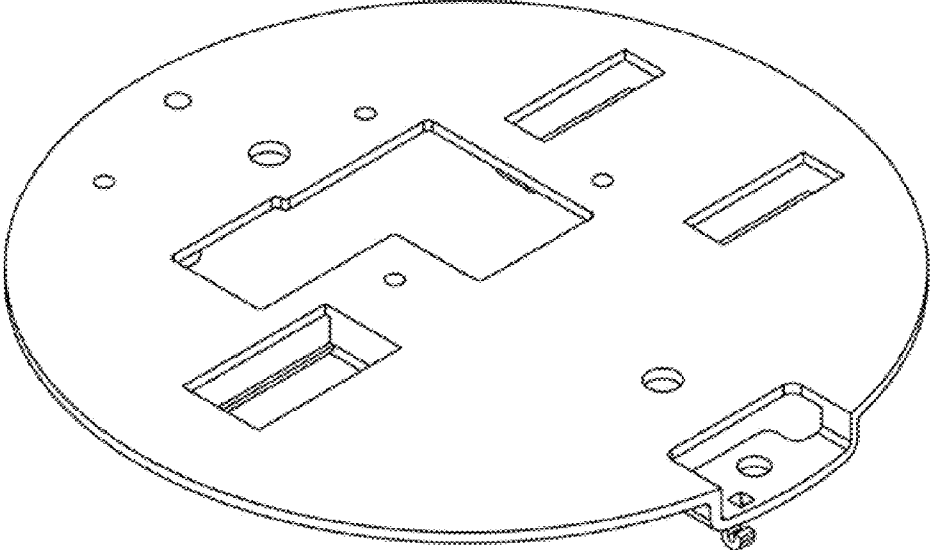
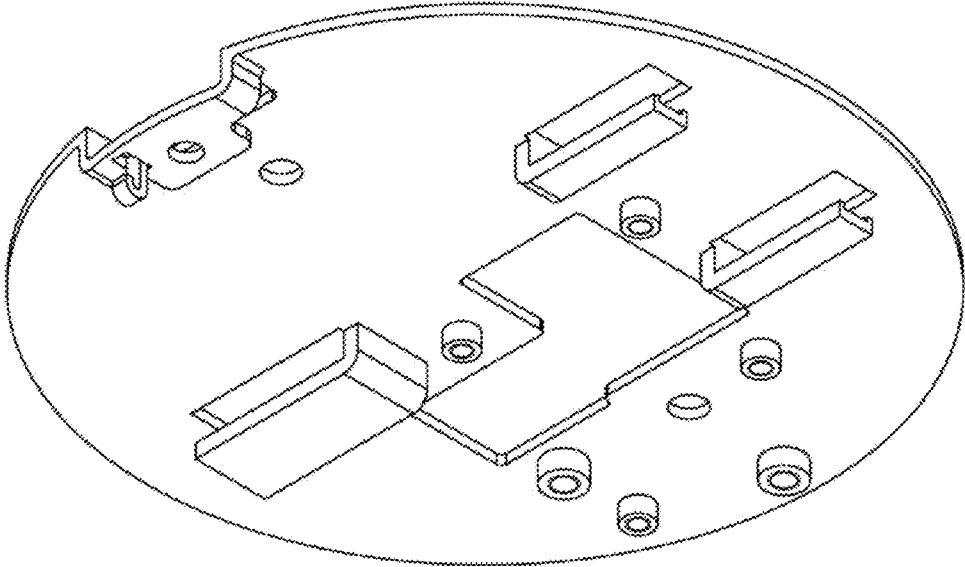


FIG. 2



**FIG. 3**

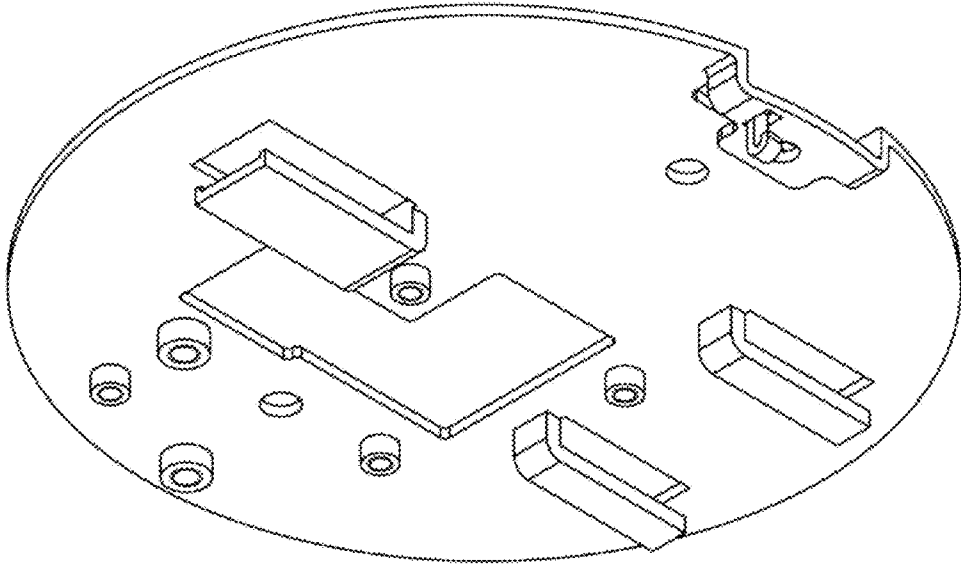


FIG. 4

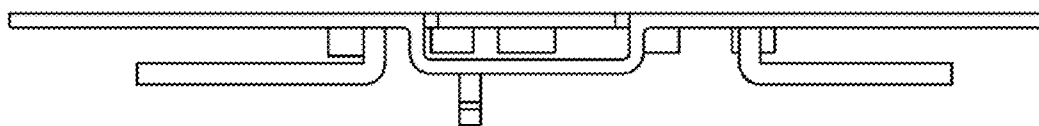


FIG. 5

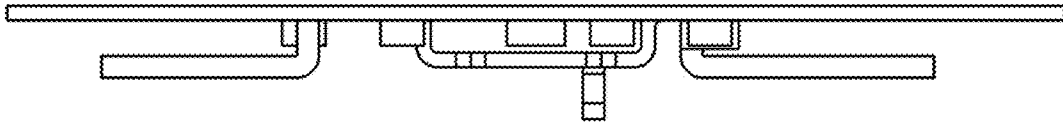


FIG. 6

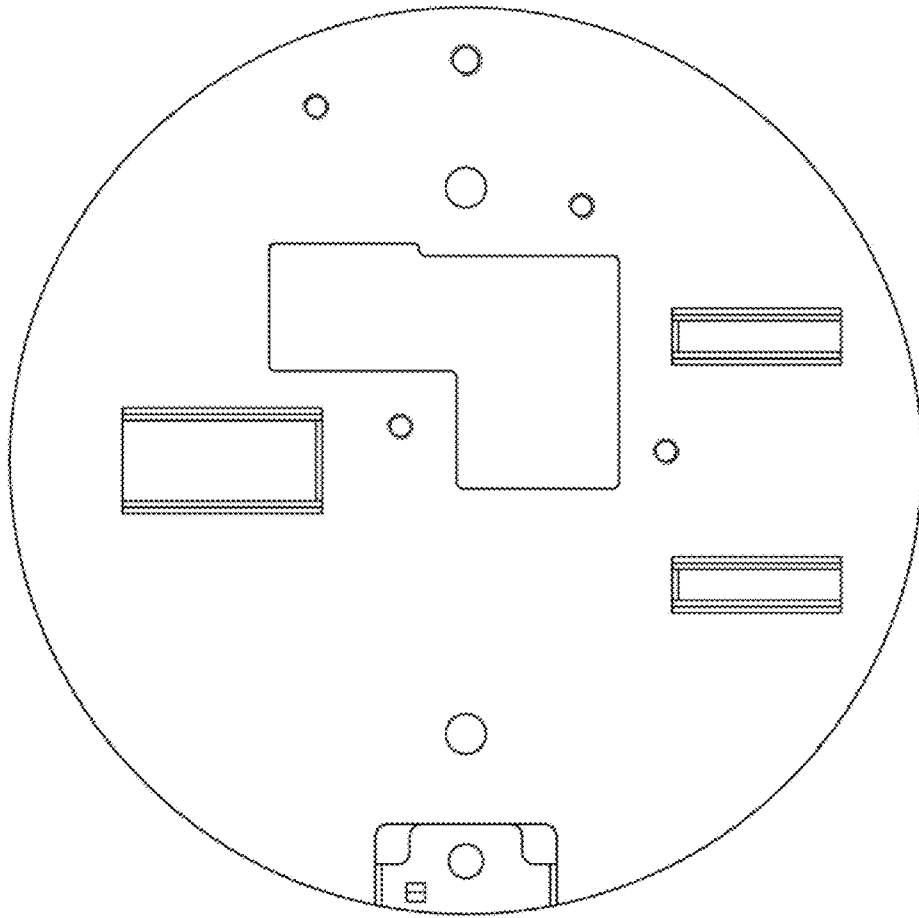


FIG. 7

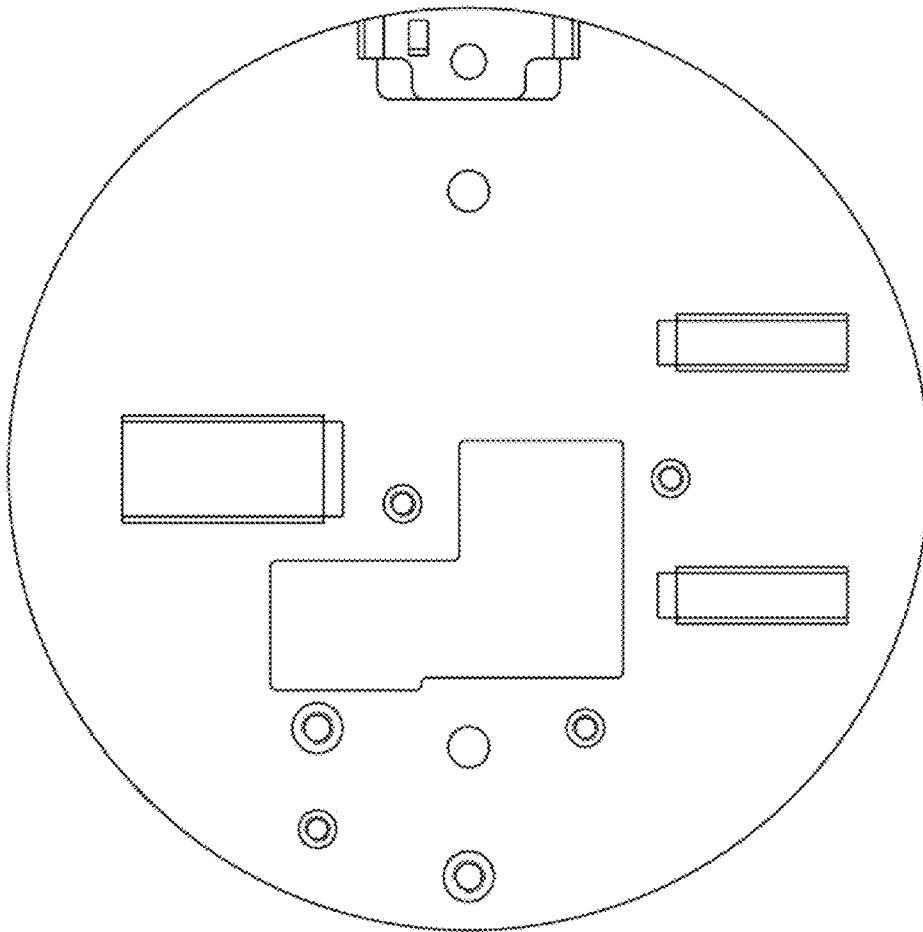


FIG. 8

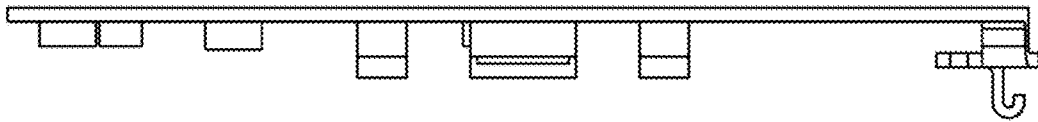


FIG. 9

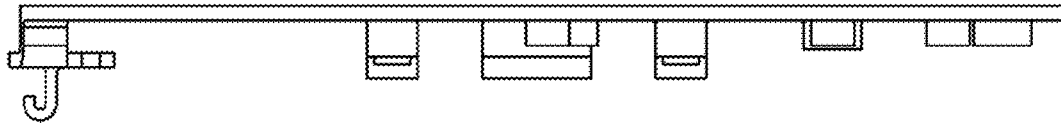


FIG. 10