



US00D809082S

(12) **United States Design Patent**  
**Kim**

(10) **Patent No.:** **US D809,082 S**

(45) **Date of Patent:** **\*\* Jan. 30, 2018**

- (54) **GOLF CLUB HEAD**
- (71) Applicant: **CALLAWAY GOLF COMPANY,**  
Carlsbad, CA (US)
- (72) Inventor: **Wee Jong Kim,** Vista, CA (US)
- (73) Assignee: **Callaway Golf Company,** Carlsbad,  
CA (US)
- (\*\*) Term: **15 Years**
- (21) Appl. No.: **29/583,168**
- (22) Filed: **Nov. 2, 2016**
- (51) **LOC (11) Cl.** ..... **21-02**
- (52) **U.S. Cl.**  
USPC ..... **D21/759**
- (58) **Field of Classification Search**  
USPC ..... D21/747-751, 759  
CPC ..... A63B 53/00; A63B 53/04; A63B 53/047;  
A63B 53/0475; A63B 2053/0479; A63B  
2053/0483; A63B 2053/0445  
See application file for complete search history.

D487,127 S *	2/2004	Madore .....	D21/747
8,657,700 B2 *	2/2014	Nicolette .....	A63B 53/047 473/290
D708,282 S *	7/2014	Oldknow .....	D21/759
D709,576 S *	7/2014	Oldknow .....	D21/759
D709,974 S *	7/2014	Oldknow .....	D21/759
D710,961 S *	8/2014	Foster .....	D21/759
D720,416 S *	12/2014	Delvac .....	D21/759
D725,732 S *	3/2015	Westrum .....	D21/759
D736,872 S *	8/2015	Llewellyn .....	D21/759
D736,875 S *	8/2015	Llewellyn .....	D21/759
D763,986 S *	8/2016	Cardani .....	D21/759
D788,238 S *	5/2017	Foster .....	D21/759
2012/0289360 A1 *	11/2012	Breier .....	A63B 53/047 473/335

\* cited by examiner

*Primary Examiner* — Mitchell I. Siegel  
(74) *Attorney, Agent, or Firm* — Rebecca Hanovice;  
Michael Catania; Sonia Lari

(57) **CLAIM**

The ornamental design for a golf club head, as shown and described.

**DESCRIPTION**

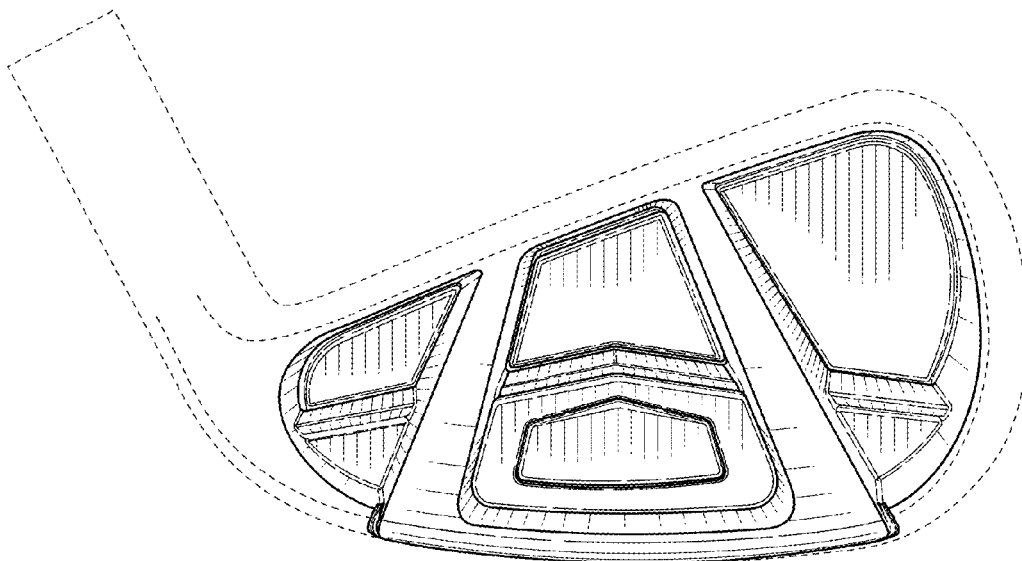
FIG. 1 is a rear perspective view of the golf club head as claimed herein;  
FIG. 2 is a front elevational view thereof;  
FIG. 3 is a rear elevational view thereof;  
FIG. 4 is a left side elevational view thereof;  
FIG. 5 is a right side elevational view thereof;  
FIG. 6 is a top plan view thereof; and,  
FIG. 7 is a bottom plan view thereof.  
The broken lines are included for the purpose of illustration and form no part of the claimed design.

**1 Claim, 3 Drawing Sheets**

(56) **References Cited**

U.S. PATENT DOCUMENTS

D313,829 S *	1/1991	Antonious .....	D21/749
D315,587 S *	3/1991	Antonious .....	D21/749
D315,588 S *	3/1991	Antonious .....	D21/749
D315,589 S *	3/1991	Antonious .....	D21/749
D315,590 S *	3/1991	Antonious .....	D21/749
D315,767 S *	3/1991	Antonious .....	D21/749
D315,768 S *	3/1991	Antonious .....	D21/749
D315,769 S *	3/1991	Antonious .....	D21/749
D315,939 S *	4/1991	Antonious .....	D21/749
D319,091 S *	8/1991	Antonious .....	D21/749
D475,107 S *	5/2003	Madore .....	D21/759



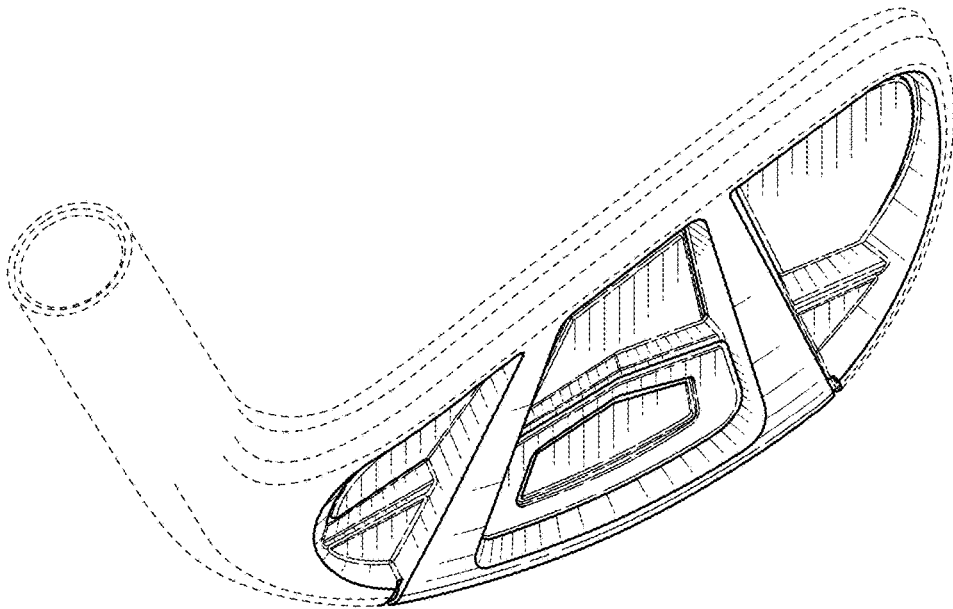


FIG. 1

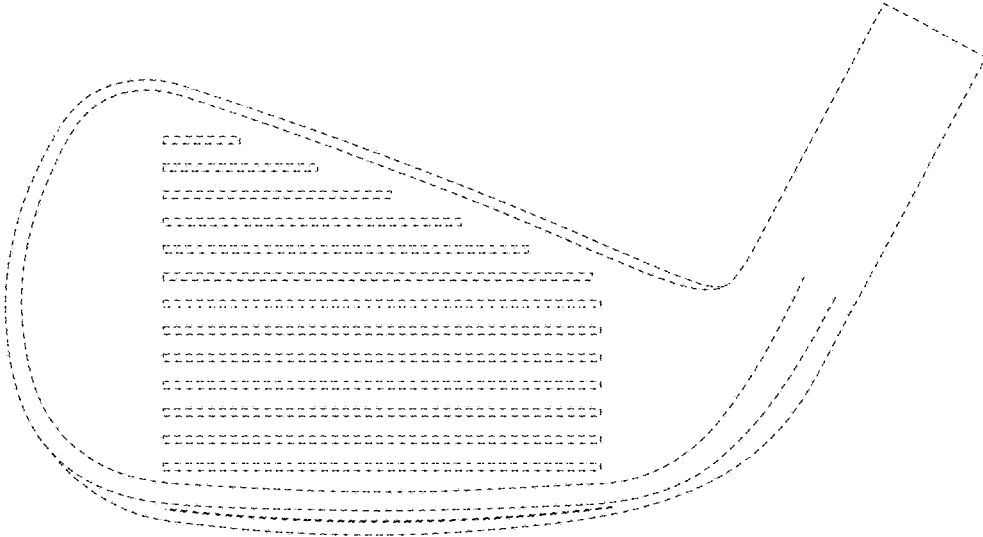


FIG. 2

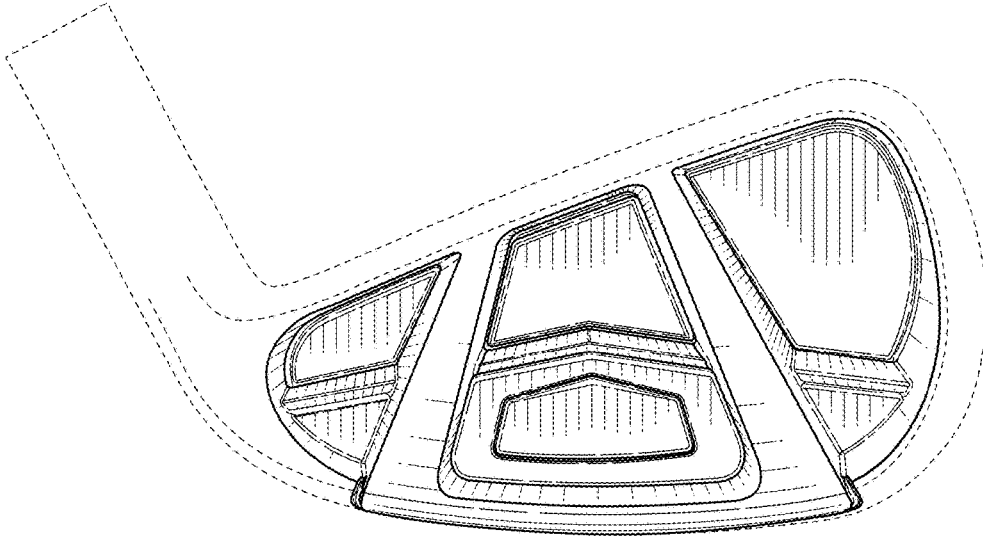


FIG. 3

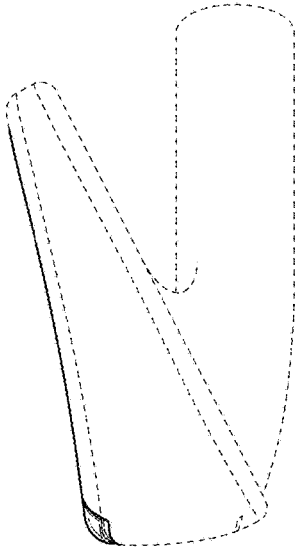


FIG. 4

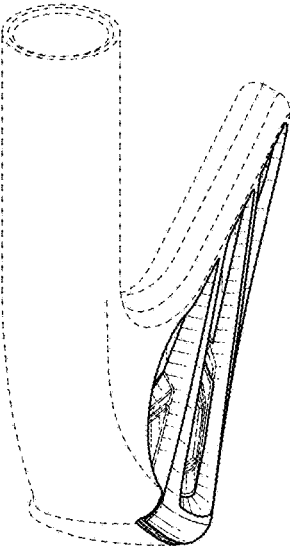


FIG. 5

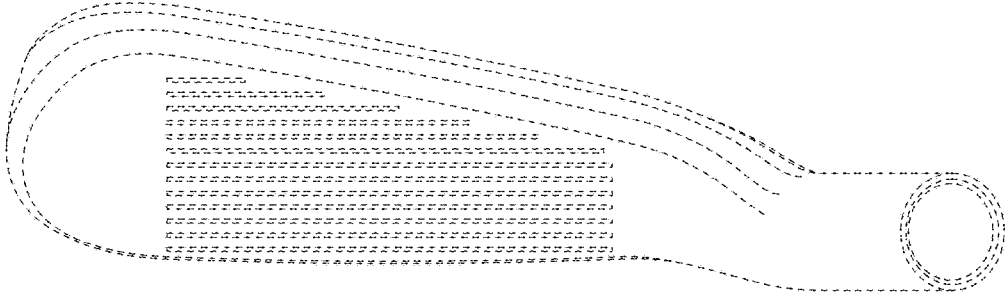


FIG. 6

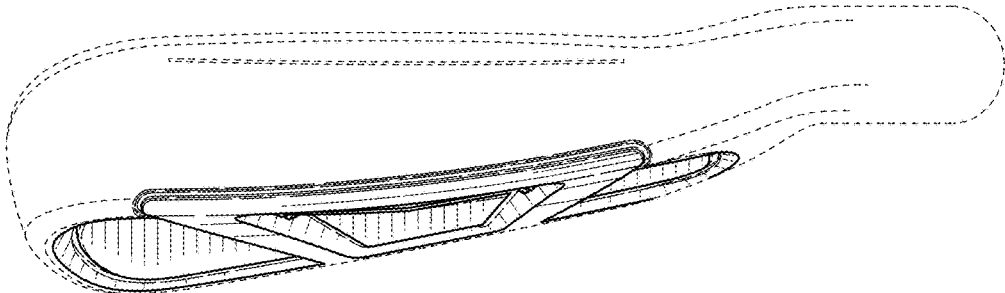


FIG. 7