



- (51) International Patent Classification:
G06F 17/30 (2006.01)
- (21) International Application Number:
PCT/US2013/047583
- (22) International Filing Date:
25 June 2013 (25.06.2013)
- (25) Filing Language: English
- (26) Publication Language: English
- (30) Priority Data:
61/665,240 27 June 2012 (27.06.2012) US
13/727,501 26 December 2012 (26.12.2012) US
- (71) Applicant: **GOOGLE INC.** [US/US]; 1600 Amphitheatre Parkway, Mountain View, CA 94043 (US).
- (72) Inventors: **SPARROW, Isaac**; c/o Google Inc., 1600 Amphitheatre Parkway, Mountain View, CA 94043 (US). **PAYNE, Anthony, Howard**; c/o Google Inc., 1600 Amphitheatre Parkway, Mountain View, CA 94043 (US). **SMILAK, Kevin, Courtney**; c/o Google, Inc., 1600 Amphitheatre Parkway, Mountain View, CA 94043 (US). **HAN, Simon**; c/o Google, Inc., 1600 Amphitheatre Parkway, Mountain View, CA 94043 (US). **FISH, Amir**; c/o Google, Inc., 1600 Amphitheatre Parkway, Mountain View, CA 94043 (US). **COHEN, David, M.**; c/o Google Inc., 1600 Amphitheatre Parkway, Mountain View, CA 94043 (US). **STEINER, Matthew, Stephen**; c/o Google

Inc., 1600 Amphitheatre Parkway, Mountain View, CA 94043 (US).

(74) Agents: **KUYPER, Reena** et al.; Patent Law Works LLP, 201 S. Main Street, Suite 250, Salt Lake City, UT 84111 (US).

(81) Designated States (unless otherwise indicated, for every kind of national protection available): AE, AG, AL, AM, AO, AT, AU, AZ, BA, BB, BG, BH, BN, BR, BW, BY, BZ, CA, CH, CL, CN, CO, CR, CU, CZ, DE, DK, DM, DO, DZ, EC, EE, EG, ES, FI, GB, GD, GE, GH, GM, GT, HN, HR, HU, ID, IL, IN, IS, JP, KE, KG, KN, KP, KR, KZ, LA, LC, LK, LR, LS, LT, LU, LY, MA, MD, ME, MG, MK, MN, MW, MX, MY, MZ, NA, NG, NI, NO, NZ, OM, PA, PE, PG, PH, PL, PT, QA, RO, RS, RU, RW, SC, SD, SE, SG, SK, SL, SM, ST, SV, SY, TH, TJ, TM, TN, TR, TT, TZ, UA, UG, US, UZ, VC, VN, ZA, ZM, ZW.

(84) Designated States (unless otherwise indicated, for every kind of regional protection available): ARIPO (BW, GH, GM, KE, LR, LS, MW, MZ, NA, RW, SD, SL, SZ, TZ, UG, ZM, ZW), Eurasian (AM, AZ, BY, KG, KZ, RU, TJ, TM), European (AL, AT, BE, BG, CH, CY, CZ, DE, DK, EE, ES, FI, FR, GB, GR, HR, HU, IE, IS, IT, LT, LU, LV, MC, MK, MT, NL, NO, PL, PT, RO, RS, SE, SI, SK, SM, TR), OAPI (BF, BJ, CF, CG, CI, CM, GA, GN, GQ, GW, KM, ML, MR, NE, SN, TD, TG).

[Continued on next page]

(54) Title: PROVIDING STREAMS OF FILTERED PHOTOGRAPHS FOR USER CONSUMPTION

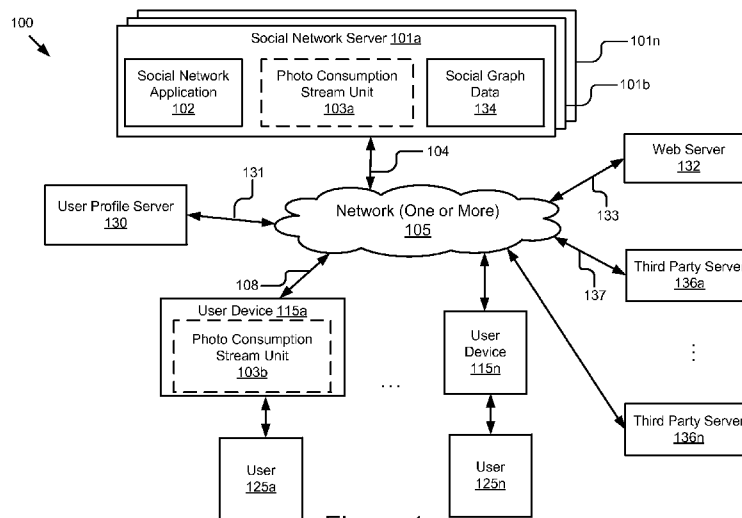


Figure 1

(57) Abstract: The present disclosure comprises systems and methods for providing a stream of only those photographs (including those inter-mixed with videos and hybrid types (animated gifs, animated photo bursts, etc.)) that may be of interest to particular users in a social network based on consideration of user social graphs and other external signals generated for the photographs based on predefined criteria to determine user interest levels. The systems and methods obtain photographs, retrieve social graphs for particular users, evaluate and filter photographs, rank them, and limit the number of photographs provided for viewing from a single source. Accordingly, only photographs that are determined to be most interesting to particular users are provided for display to them.

WO 2014/004482 A3



Published:

(88) Date of publication of the international search report:

- *with international search report (Art. 21(3))*
- *before the expiration of the time limit for amending the claims and to be republished in the event of receipt of amendments (Rule 48.2(h))*

26 June 2014

INTERNATIONAL SEARCH REPORT

International application No.

PCT/US 13/47583

A. CLASSIFICATION OF SUBJECT MATTER

IPC(8) - G06F 17/30 (2014.01)

USPC - 707/748

According to International Patent Classification (IPC) or to both national classification and IPC

B. FIELDS SEARCHED

Minimum documentation searched (classification system followed by classification symbols)

IPC(8): G06F 17/30 (2014.01)

USPC: 707/748

Documentation searched other than minimum documentation to the extent that such documents are included in the fields searched

IPC(8): G06F 17/30 (2014.01)

USPC: 707/748; 709/203 (keyword limited; terms below)

Electronic data base consulted during the international search (name of data base and, where practicable, search terms used)

PatBase; Google(Web, Patent); Search terms used: stream filter photographs social community users friends collection compilation sort subset images rank weight criteria relevant interest affinity amount number often recent frequent comment sharing forwarding . recommendation endorsement annotation display sequence show slide face facial tag recogniti

C. DOCUMENTS CONSIDERED TO BE RELEVANT

| Category* | Citation of document, with indication, where appropriate, of the relevant passages | Relevant to claim No. |
|-----------|---|-----------------------|
| X | US 2008/0154931 A1 (Jacobs et al.) 26 June 2008 (26.06.2008), entire document especially Fig. 1; para [0018]-[0038], [0052]-[0068], [0079]-[0095], [0109]-[0112]. | 1-18 |
| A | US 7,382,903 B2 (Ray) 03 June 2008 (03.06.2008), entire document | 1-18 |
| A | US 2011/0212717 A1 (Rhoads et al.) 01 September 2011 (01.09.2011), entire document | 1-18 |

 Further documents are listed in the continuation of Box C.

* Special categories of cited documents:

"A" document defining the general state of the art which is not considered to be of particular relevance

"E" earlier application or patent but published on or after the international filing date

"L" document which may throw doubts on priority claim(s) or which is cited to establish the publication date of another citation or other special reason (as specified)

"O" document referring to an oral disclosure, use, exhibition or other means

"P" document published prior to the international filing date but later than the priority date claimed

"T" later document published after the international filing date or priority date and not in conflict with the application but cited to understand the principle or theory underlying the invention

"X" document of particular relevance; the claimed invention cannot be considered novel or cannot be considered to involve an inventive step when the document is taken alone

"Y" document of particular relevance; the claimed invention cannot be considered to involve an inventive step when the document is combined with one or more other such documents, such combination being obvious to a person skilled in the art

"&" document member of the same patent family

Date of the actual completion of the international search

03 March 2014 (03.03.2014)

Date of mailing of the international search report

06 MAY 2014

Name and mailing address of the ISA/US

Mail Stop PCT, Attn: ISA/US, Commissioner for Patents
P.O. Box 1450, Alexandria, Virginia 22313-1450

Facsimile No. 571-273-3201

Authorized officer:

Lee W. Young

PCT Helpdesk: 571-272-4300
PCT OSP: 571-272-7774