



US00D460207S

(12) **United States Design Patent** (10) **Patent No.:** **US D460,207 S**
Krieger et al. (45) **Date of Patent:** **** Jul. 9, 2002**

(54) **SPOT LIGHT WITH HANDLE AND STAND**
(75) Inventors: **Michael Krieger**, Miami Beach; **Kevin Ellsworth**, Hollywood, both of FL (US)
(73) Assignee: **Vector Products, Inc.**, Ft. Lauderdale, FL (US)
(**) Term: **14 Years**
(21) Appl. No.: **29/144,224**
(22) Filed: **Jun. 29, 2001**
(51) **LOC (7) Cl.** **26-02**
(52) **U.S. Cl.** **D26/45**
(58) **Field of Search** D26/37-50; 362/157, 362/158, 171, 173, 181-208

(74) *Attorney, Agent, or Firm*—Venable; Robert Kinberg
(57) **CLAIM**

The ornamental design for a spot light with handle and stand, as shown and described.

DESCRIPTION

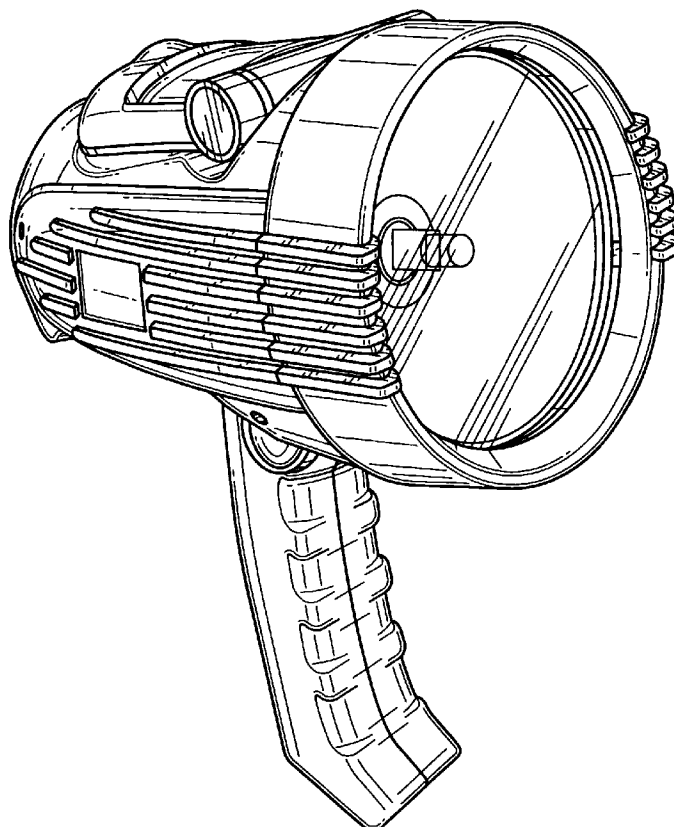
FIG. 1 is a perspective view from the front-left-top side of the spot light with handle and stand showing our new design with the handle extended and the stand folded down; FIG. 2 is a front view of the design shown in FIG. 1; FIG. 3 is a rear view of the design shown in FIG. 1; FIG. 4 is a left side view of the design shown in FIG. 1; FIG. 5 is a right side view of the design shown in FIG. 1; FIG. 6 is a top view of the design shown in FIG. 1; FIG. 7 is a bottom view of the design shown in FIG. 1; FIG. 8 is a perspective view from the front-left-top side of the spot light with handle and stand showing our new design with the handle retracted and the stand folded down; FIG. 9 is a front view of the design shown in FIG. 8; FIG. 10 is a rear view of the design shown in FIG. 8; FIG. 11 is a left side view of the design shown in FIG. 8; FIG. 12 is a right side view of the design shown in FIG. 8; FIG. 13 is a top view of the design shown in FIG. 8; FIG. 14 is a bottom view of the design shown in FIG. 8; and, FIG. 15 is a perspective view from the front-right bottom view of shown in FIG. 8 with the stand swiveled out.

(56) **References Cited**
U.S. PATENT DOCUMENTS
D431,662 S * 10/2000 Krieger D26/45
D434,513 S * 11/2000 Poon D26/45
D436,200 S * 1/2001 Cheong et al. D26/45
D438,997 S * 3/2001 Yuen D26/45
D446,591 S * 6/2001 Shing D26/45

* cited by examiner

Primary Examiner—Marcus A. Jackson

1 Claim, 13 Drawing Sheets



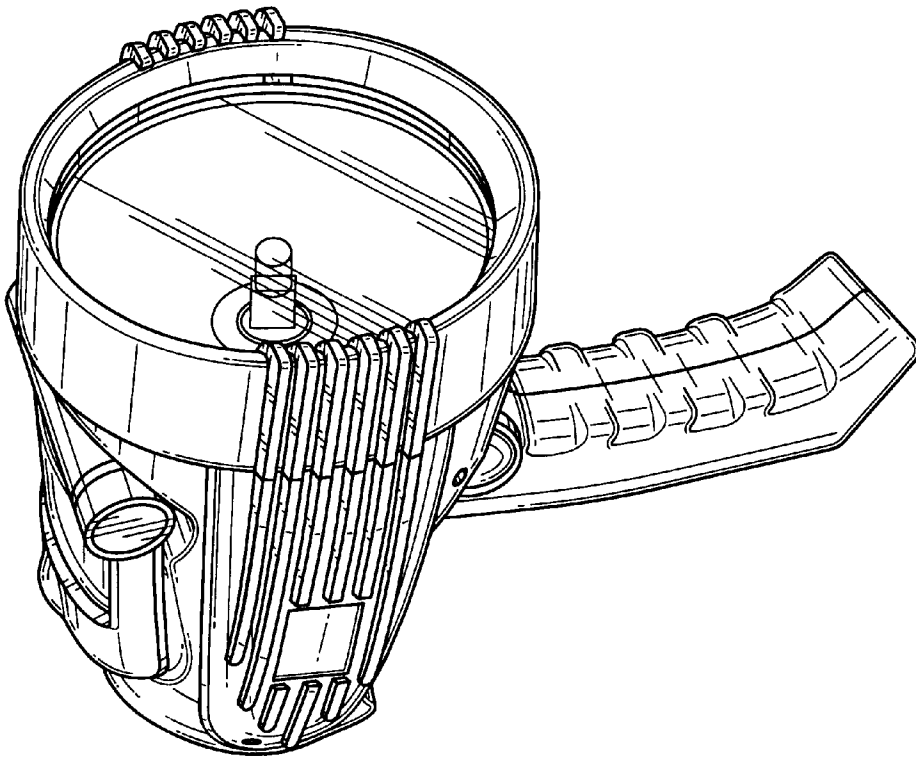


FIG. 1

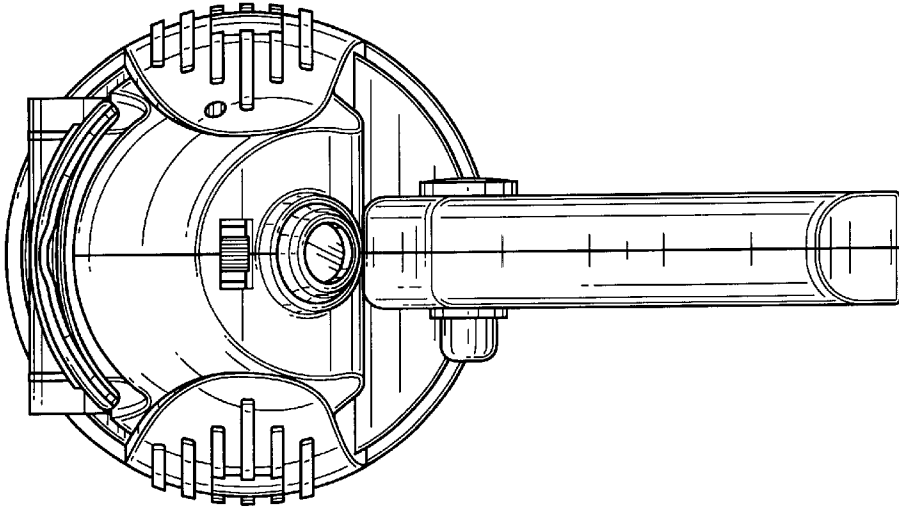


FIG. 3

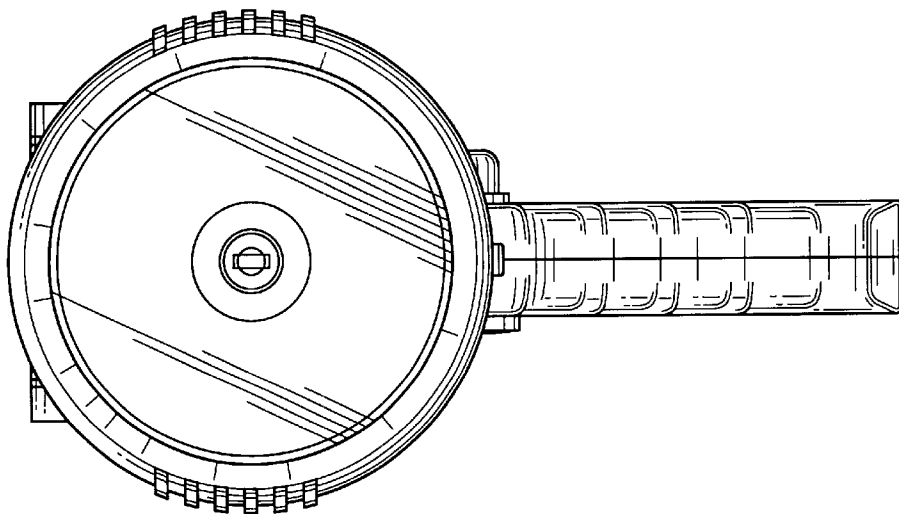


FIG. 2

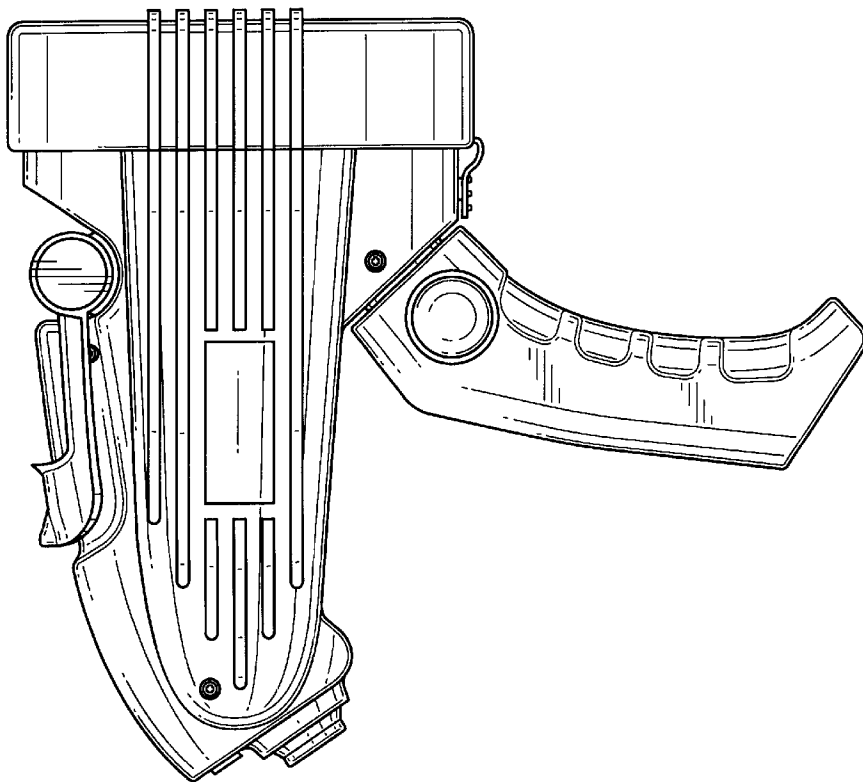


FIG. 4

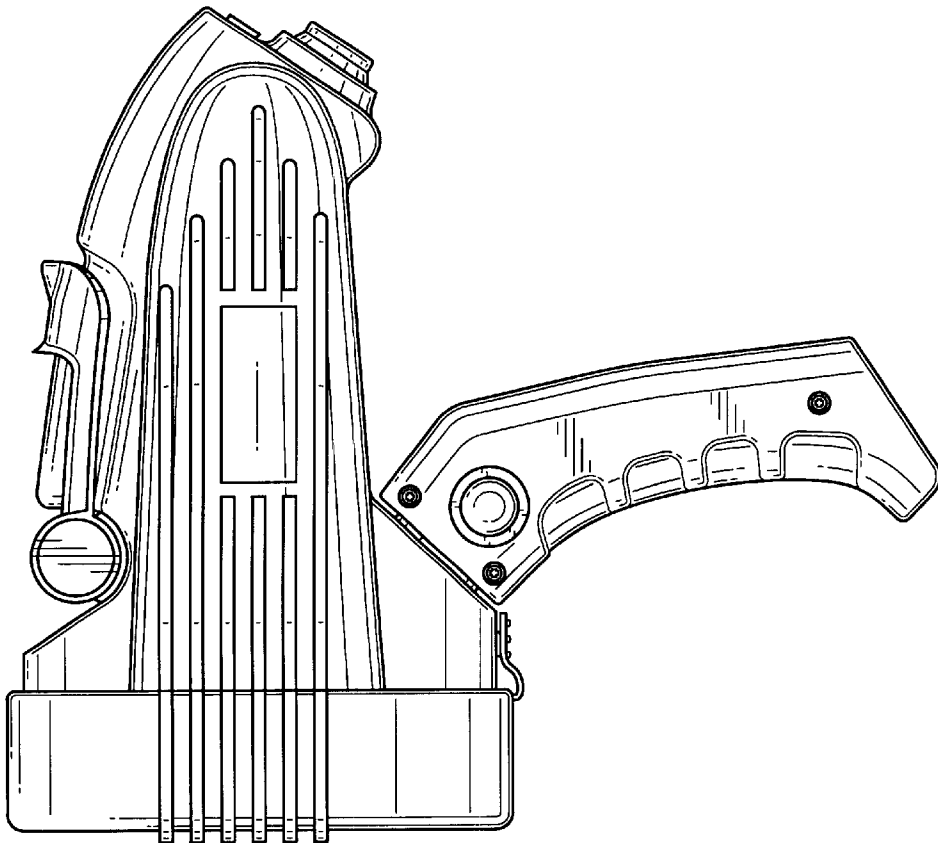


FIG. 5

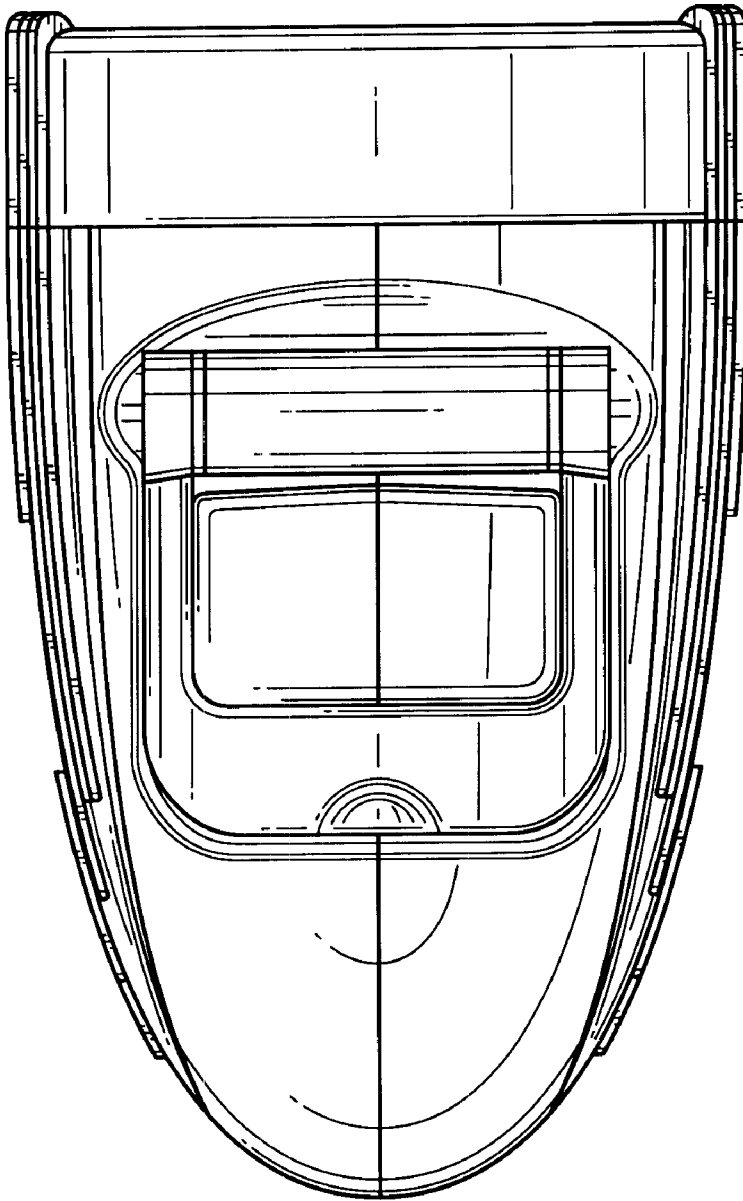


FIG. 6

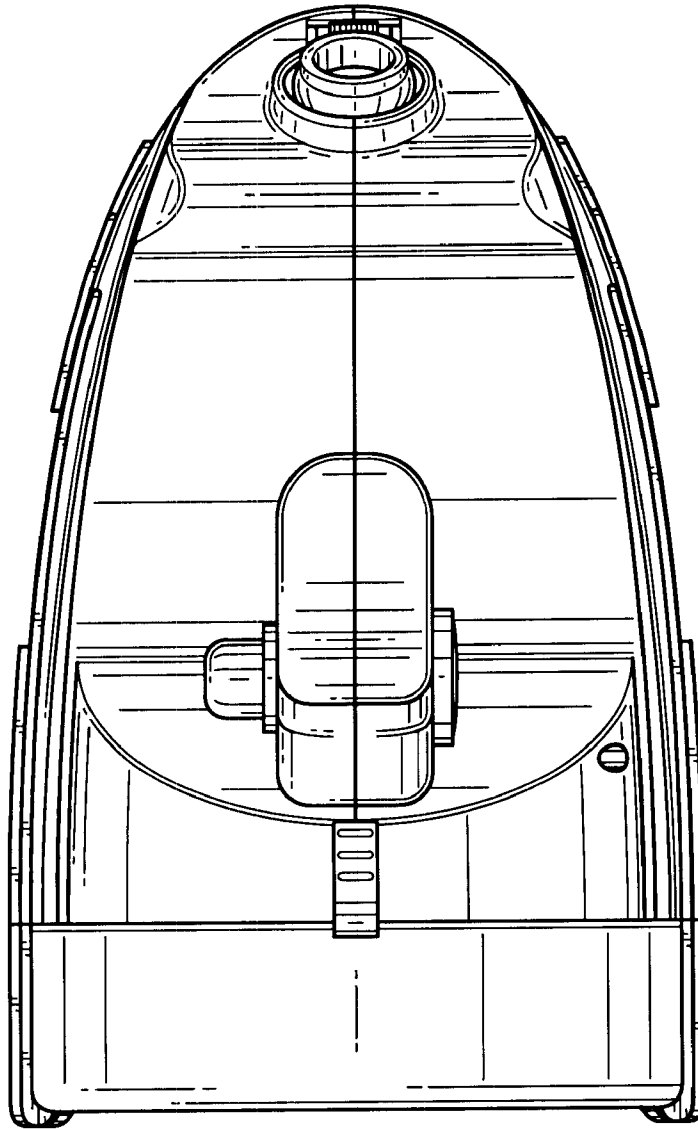


FIG. 7

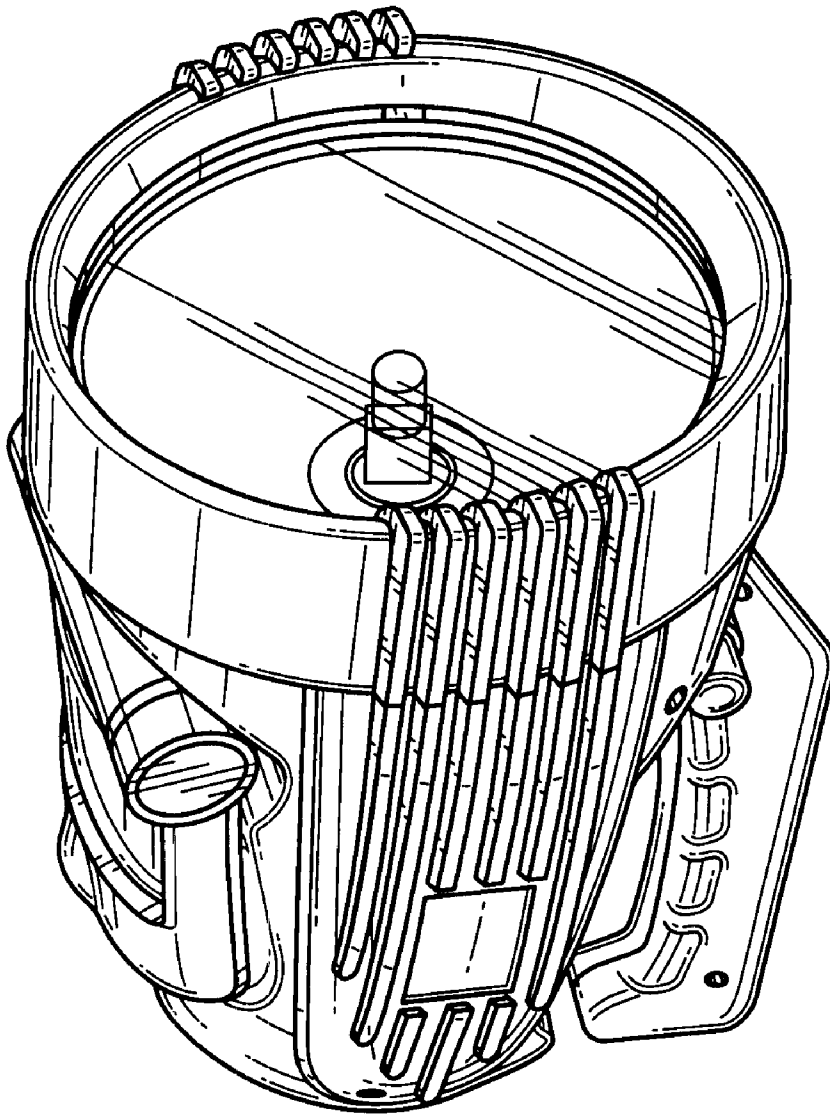


FIG. 8

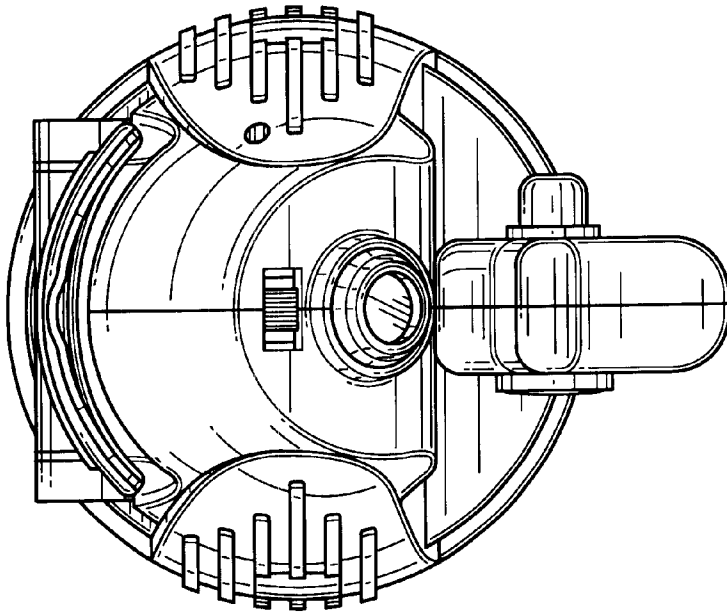


FIG. 10

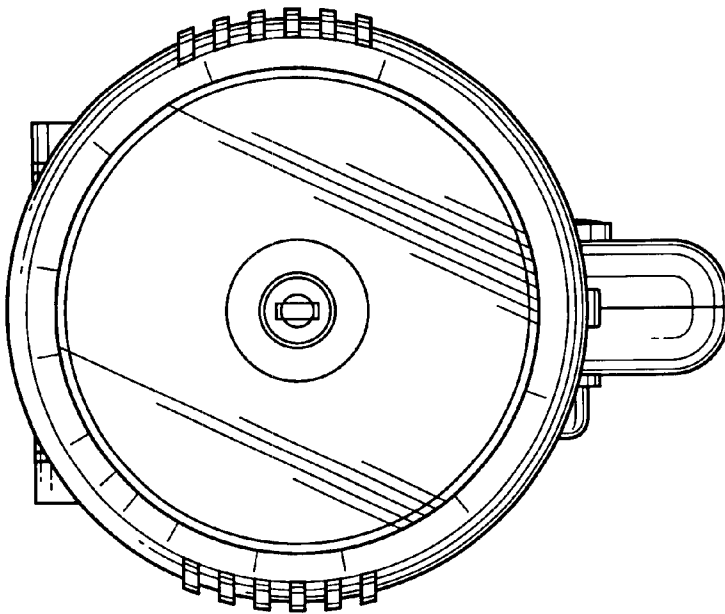


FIG. 9

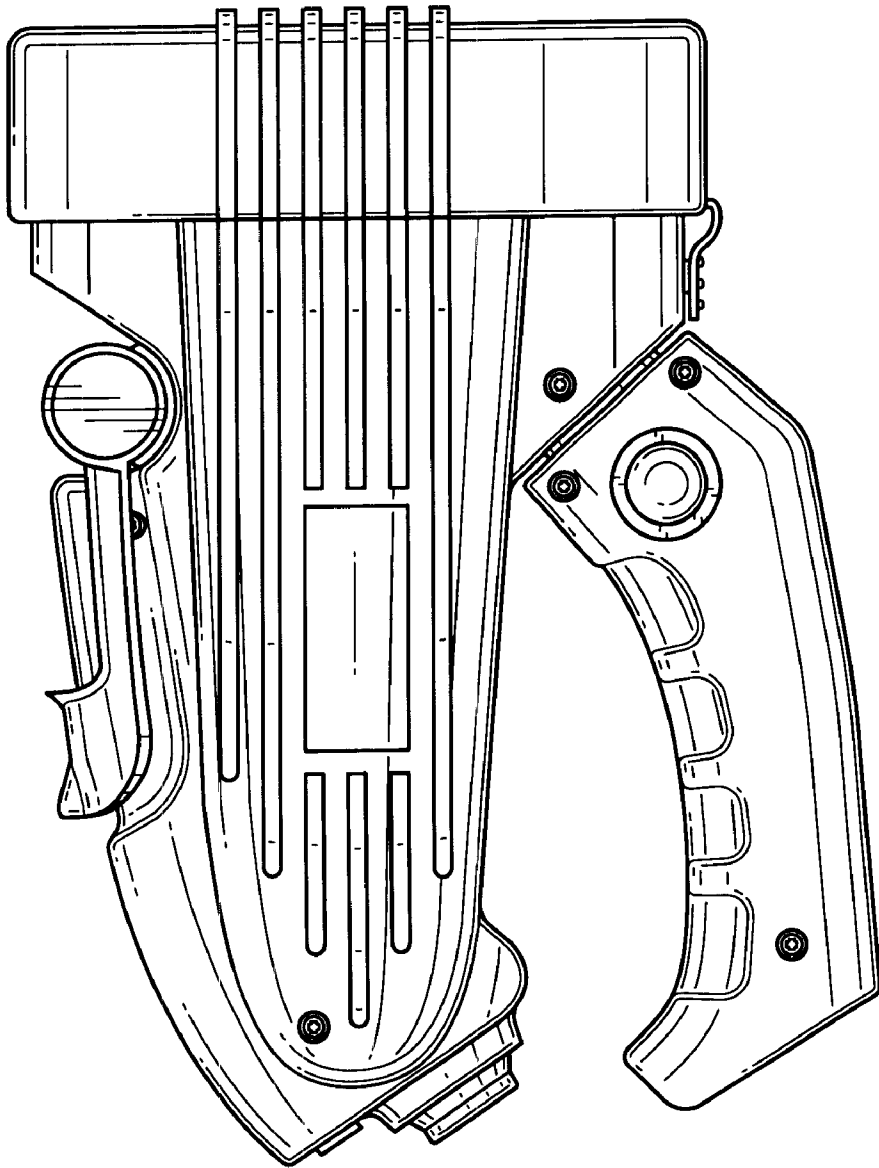


FIG. 11

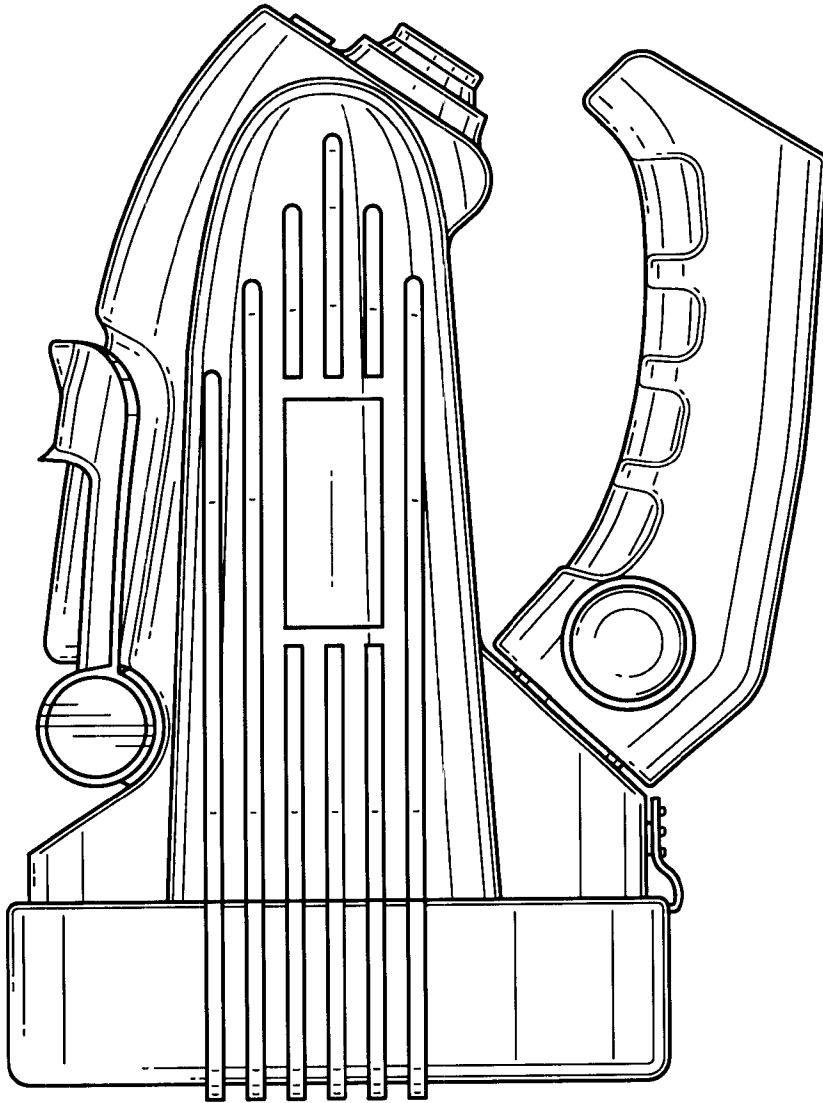


FIG. 12

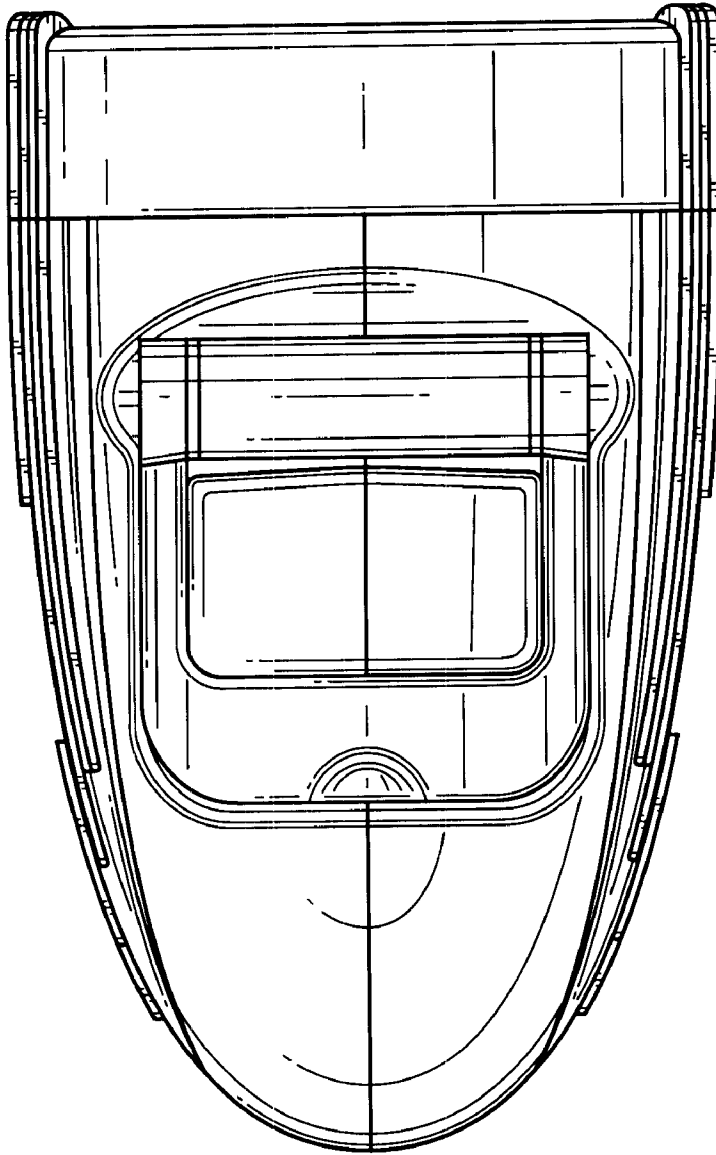


FIG. 13

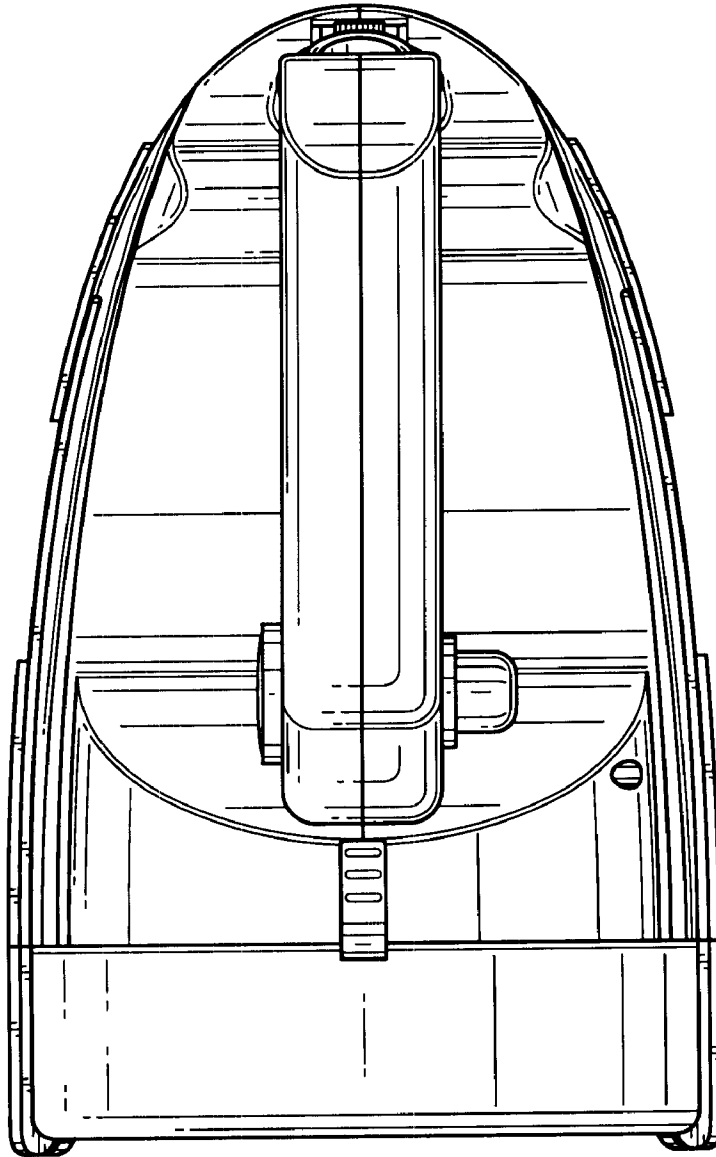


FIG. 14

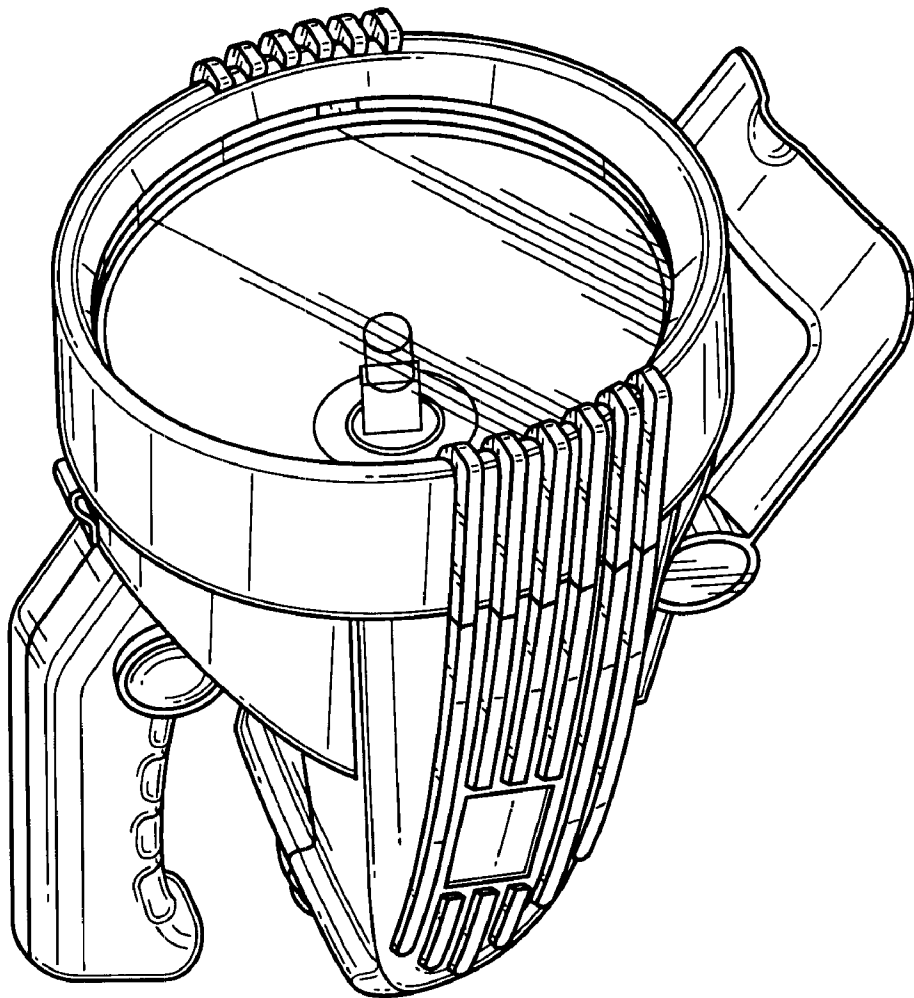


FIG. 15