

(19) World Intellectual Property
Organization
International Bureau



(43) International Publication Date
4 September 2003 (04.09.2003)

PCT

(10) International Publication Number
WO 2003/071992 A3

(51) International Patent Classification⁷: A61F 2/44, A61B 17/02

Bellano, 15, 35100 Padova (IT). **BERTAGNOLI, Rudolf** [DE/DE]; Kay 2A, 94315 Straubing (DE). **LIU, Mingyan** [FR/FR]; 74, Avenue Du Petit Chambord, F-92340 Bourg-la-Reine (FR). **JOSSE, Loïc** [FR/FR]; 13, La Plana, 11570 Palaja (FR).

(21) International Application Number:
PCT/IB2003/000713

(22) International Filing Date: 25 February 2003 (25.02.2003)

(74) Agent: **NEYRET, Daniel**; Cabinet Lavoix, 2, place d'Estienne d'Orves, 75441 Paris, Cedex 09 (FR).

(25) Filing Language: English

(26) Publication Language: English

(30) Priority Data:
0202428 26 February 2002 (26.02.2002) FR

(81) Designated States (national): AE, AG, AL, AM, AT, AU, AZ, BA, BB, BG, BR, BY, BZ, CA, CH, CN, CO, CR, CU, CZ, DE, DK, DM, DZ, EC, EE, ES, FI, GB, GD, GE, GH, GM, HR, HU, ID, IL, IN, IS, JP, KE, KG, KP, KR, KZ, LC, LK, LR, LS, LT, LU, LV, MA, MD, MG, MK, MN, MW, MX, MZ, NO, NZ, OM, PH, PL, PT, RO, RU, SC, SD, SE, SG, SK, SL, TJ, TM, TN, TR, TT, TZ, UA, UG, US, UZ, VC, VN, YU, ZA, ZM, ZW.

(71) Applicant (for all designated States except US): **SDGI HOLDINGS, INC.** [US/US]; 300 Delaware Avenue, Suite 508, Wilmington, DE 19801 (US).

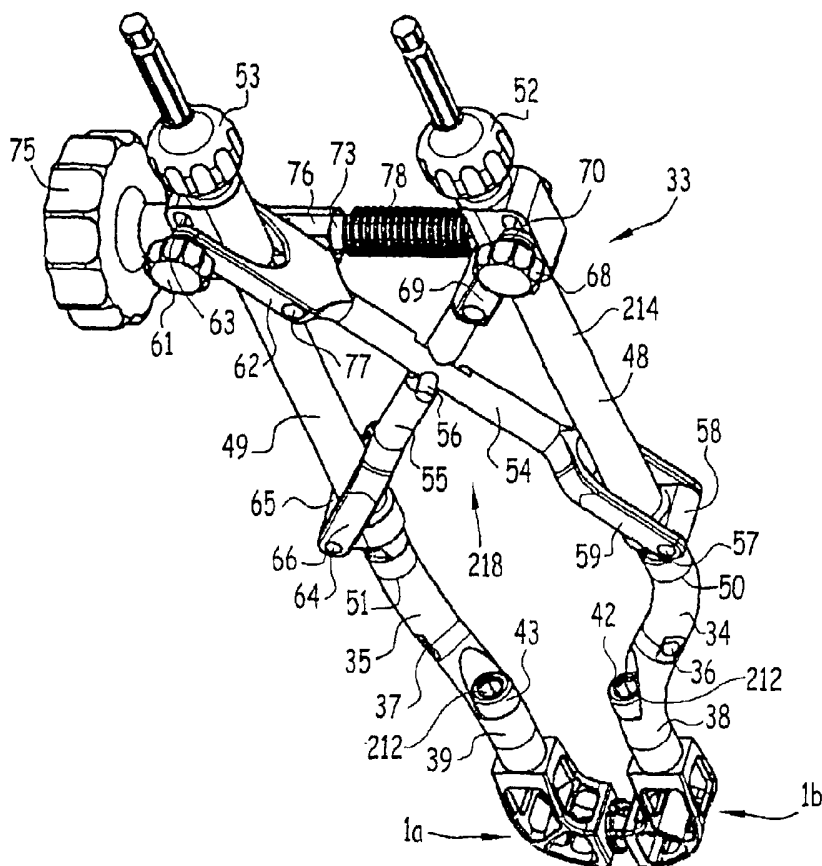
(72) Inventors; and

(84) Designated States (regional): ARIPO patent (GH, GM, KE, LS, MW, MZ, SD, SL, SZ, TZ, UG, ZM, ZW), Eurasian patent (AM, AZ, BY, KG, KZ, MD, RU, TJ, TM),

(75) Inventors/Applicants (for US only): **FABRIS MONTERUMICCI, Daniele, A.** [IT/IT]; Via Bartolomeo

[Continued on next page]

(54) Title: CONNECTABLE INTERBODY IMPLANT



(57) Abstract: An intersomatic implant (1a, 1b) maintains bone graft material in a receiving cavity formed in a disc in order to obtain intervertebral fusion. The implant (1a, 1b) includes of a plurality of parts provided with means for in situ connection of two consecutive parts. Instruments (33) are used to connect these implants (1a, 1b) and a tool assists in introducing these implants (1a, 1b) into the cavity formed in the disc.

WO 2003/071992 A3



European patent (AT, BE, BG, CH, CY, CZ, DE, DK, EE, ES, FI, FR, GB, GR, HU, IE, IT, LU, MC, NL, PT, SE, SI, SK, TR), OAPI patent (BF, BJ, CF, CG, CI, CM, GA, GN, GQ, GW, ML, MR, NE, SN, TD, TG).

(88) Date of publication of the international search report:
31 December 2003

Published:

- *with international search report*
- *before the expiration of the time limit for amending the claims and to be republished in the event of receipt of amendments*

For two-letter codes and other abbreviations, refer to the "Guidance Notes on Codes and Abbreviations" appearing at the beginning of each regular issue of the PCT Gazette.

INTERNATIONAL SEARCH REPORT

International Application No
PCT/IB 03/00713

A. CLASSIFICATION OF SUBJECT MATTER
IPC 7 A61F2/44 A61F2/46 A61B17/02

According to International Patent Classification (IPC) or to both national classification and IPC

B. FIELDS SEARCHED

Minimum documentation searched (classification system followed by classification symbols)
IPC 7 A61F A61B

Documentation searched other than minimum documentation to the extent that such documents are included in the fields searched

Electronic data base consulted during the international search (name of data base and, where practical, search terms used)
EPO-Internal

C. DOCUMENTS CONSIDERED TO BE RELEVANT

Category ^o	Citation of document, with indication, where appropriate, of the relevant passages	Relevant to claim No.
X	US 5 861 041 A (TIENBOON PRAKIT) 19 January 1999 (1999-01-19) claims 1-6,8; figures	1,2,20, 23
Y		3-5,7,21
A		6,14
X	US 5 397 364 A (KOZAK JEFFREY ET AL) 14 March 1995 (1995-03-14) figures 1,5-19,25,26,28 column 8, line 20 -column 9, line 49 column 11, line 56 -column 12, line 47	1,9,13, 14,20
A		2,5-8, 15,16,23

	-/--	

Further documents are listed in the continuation of box C.

Patent family members are listed in annex.

^o Special categories of cited documents :

"A" document defining the general state of the art which is not considered to be of particular relevance

"E" earlier document but published on or after the international filing date

"L" document which may throw doubts on priority claim(s) or which is cited to establish the publication date of another citation or other special reason (as specified)

"O" document referring to an oral disclosure, use, exhibition or other means

"P" document published prior to the international filing date but later than the priority date claimed

"T" later document published after the international filing date or priority date and not in conflict with the application but cited to understand the principle or theory underlying the invention

"X" document of particular relevance; the claimed invention cannot be considered novel or cannot be considered to involve an inventive step when the document is taken alone

"Y" document of particular relevance; the claimed invention cannot be considered to involve an inventive step when the document is combined with one or more other such documents, such combination being obvious to a person skilled in the art.

"&" document member of the same patent family

Date of the actual completion of the international search

1 October 2003

Date of mailing of the international search report

06 11. 2003

Name and mailing address of the ISA

European Patent Office, P.B. 5318 Patentlaan 2
NL - 2280 HV Rijswijk
Tel. (+31-70) 340-2040, Tx. 31 651 epo nl,
Fax: (+31-70) 340-3016

Authorized officer

Stach, R

INTERNATIONAL SEARCH REPORT

International Application No

PC B 03/00713

C.(Continuation) DOCUMENTS CONSIDERED TO BE RELEVANT		
Category	Citation of document, with indication, where appropriate, of the relevant passages	Relevant to claim No.
X	WO 00 22998 A (JACKSON ROGER P) 27 April 2000 (2000-04-27) claim 1; figure 11 page 15, line 4 -page 16, line 24	1,13,20, 22
A	---	14
X	WO 99 60837 A (NUVASIVE INC) 2 December 1999 (1999-12-02) claims 15,18-20; figures 12-16,23 page 15, line 17 -page 17, line 14	1,20
A	---	2,4-7,23
X	DE 43 23 595 C (ESKA MEDICAL GMBH & CO) 7 July 1994 (1994-07-07) claim 1; figures	1,20,22
A	---	23
Y	US 5 554 194 A (SANDERS DEBORAH L) 10 September 1996 (1996-09-10) figures 1-5 column 4, line 13 - line 34	3-5,7,21
P,X	US 2002/029084 A1 (SCHENK BEAT ET AL) 7 March 2002 (2002-03-07) figures 12,28	1,20,22
X	US 4 997 432 A (KELLER ARNOLD) 5 March 1991 (1991-03-05) figures 2-9 column 5, line 3 - line 56	9
A	---	10-12,15
X	WO 01 62166 A (DERIDDER STEVEN D ;SDGI HOLDINGS INC (US); LANGE ERIC C (US); MCGA) 30 August 2001 (2001-08-30) figures 1-8,19A,19B,21-28,34A,34B page 11, line 29 -page 15, line 2	18
A	---	19
X	WO 00 25707 A (MICHELSON GARY K) 11 May 2000 (2000-05-11) claims 78,79; figures 16A-22 page 27, line 9 -page 29, line 5 page 31, line 9 -page 32, line 13	23
A	---	9-12
A	DE 201 16 410 U (AESCULAP AG & CO KG) 29 November 2001 (2001-11-29) figure 1 page 13, paragraph 5 -page 14, paragraph 1	9-12
A	WO 01 28469 A (LIU MINGYAN ;JOSSE LOIC (FR); SDGI HOLDINGS INC (US); FREY GEORGE) 26 April 2001 (2001-04-26) figures 5A,6,8,49-51	15-17

	-/--	

INTERNATIONAL SEARCH REPORT

International Application No

PCT/IB 03/00713

C.(Continuation) DOCUMENTS CONSIDERED TO BE RELEVANT		
Category	Citation of document, with indication, where appropriate, of the relevant passages	Relevant to claim No.
A	US 6 224 599 B1 (BAYNHAM MATTHEW G ET AL) 1 May 2001 (2001-05-01) claims 1,2,4,10; figures 1-5,8 ---	18,19
A	WO 02 09606 A (HOUBURG RODNEY L ;MCPHILLIPS DANIEL D (US); SULZER SPINE TECH INC) 7 February 2002 (2002-02-07) figures 6,7,16,17 page 11, line 21 -page 12, line 4 ---	18
A	EP 1 043 002 A (KALAITZIS CHRISTOS ;KARAVELIS ANTONIOS (GR)) 11 October 2000 (2000-10-11) claims 1,8; figures 5,6 ---	23
A	WO 00 67651 A (HART RICKEY D ;CARL ALLEN (US); WINKLER JOSEF K (US); HIGHGATE ORT) 16 November 2000 (2000-11-16) figures 13A-13E ---	23
P,X	EP 1 222 903 A (LINK WALDEMAR GMBH CO) 17 July 2002 (2002-07-17) figures 1,2 paragraphs [0020]-[0022] ---	9,11
P,X	WO 02 071986 A (SANDERS MARC ;DEPUY INTERNAT LTD (GB); BEN-ARYE ASAF (IL); GRUNBER) 19 September 2002 (2002-09-19) figures 4A-8 page 18 page 19 page 21, paragraph 5 page 23, paragraph 3 ---	9
P,X	US 6 432 107 B1 (FERREE BRET A) 13 August 2002 (2002-08-13) figure 2A -----	23

INTERNATIONAL SEARCH REPORT

national application No.
PCT/IB 03/00713

Box I Observations where certain claims were found unsearchable (Continuation of item 1 of first sheet)

This International Search Report has not been established in respect of certain claims under Article 17(2)(a) for the following reasons:

1. Claims Nos.: 24 25
because they relate to subject matter not required to be searched by this Authority, namely:
Rule 39.1(iv) PCT - Method for treatment of the human or animal body by surgery
2. Claims Nos.:
because they relate to parts of the International Application that do not comply with the prescribed requirements to such an extent that no meaningful International Search can be carried out, specifically:
3. Claims Nos.:
because they are dependent claims and are not drafted in accordance with the second and third sentences of Rule 6.4(a).

Box II Observations where unity of invention is lacking (Continuation of item 2 of first sheet)

This International Searching Authority found multiple inventions in this international application, as follows:

see additional sheet

As a result of the prior review under R. 40.2(e) PCT,
no additional fees are to be refunded.

1. As all required additional search fees were timely paid by the applicant, this International Search Report covers all searchable claims.
2. As all searchable claims could be searched without effort justifying an additional fee, this Authority did not invite payment of any additional fee.
3. As only some of the required additional search fees were timely paid by the applicant, this International Search Report covers only those claims for which fees were paid, specifically claims Nos.:
4. No required additional search fees were timely paid by the applicant. Consequently, this International Search Report is restricted to the invention first mentioned in the claims; it is covered by claims Nos.:

Remark on Protest

- The additional search fees were accompanied by the applicant's protest.
- No protest accompanied the payment of additional search fees.

FURTHER INFORMATION CONTINUED FROM PCT/ISA/ 210

This International Searching Authority found multiple (groups of) inventions in this international application, as follows:

1. Claims: 1-8, 13, 14, 20-22

Intersomatic implant for obtaining intervertebral fusion, characterised in that it consists of a plurality of parts provided with means for in situ connection.

(problem: providing an interbody implant for a posterior approach having a high degree of stability)

2. Claims: 9-12

Instrument characterised in that it comprises two rods which are each equipped with means for fixing to a face of an implant and means for moving said rods towards one another while holding them in parallel positions.

(problem: approaching two implants to each other in situ in a controlled manner)

3. Claims: 15-17

Instrument set comprising:
a rod with means at one end for fixing a central part of an implant;
and two tools formed by a sheath provided at one of its ends with means permitting one of the lateral parts of the implant to be maintained there, and a screwdriver arranged inside the sheath.

(problem: inserting parts of an implant into a disc space and screwing them together)

4. Claims: 18, 19

Tool to assist in introducing an intersomatic implant into a receiving seat formed in an intervertebral disc, comprising:
a first part including a protector guide;
a second part including a distractor element placed at the end of a rod;
a third part including a tubular element into which the rod can be inserted;
and means permitting assembly of said three parts and then disassembly in such a way as to leave only said protector guide in said receiving seat.

(problem: creating a save pathway for the insertion of an implant into the receiving seat)

FURTHER INFORMATION CONTINUED FROM PCT/ISA/ 210

5. Claim : 23

An interbody implant, comprising:
a central cage having apertures and a pair obliquely angled
end faces; and
a pair of lateral cages engaged with said pair of obliquely
angled end faces, said lateral cages having apertures for
receiving bone graft material.

(problem: facilitating the implantation of a cage
consisting of three parts by improving the accesibility of
its end faces)

INTERNATIONAL SEARCH REPORT

Information on patent family members

International Application No

PCT/IB 03/00713

Patent document cited in search report	Classification	Publication date	Patent family member(s)	Publication date
US 5861041	A	19-01-1999	AU 6795698 A	30-10-1998
			WO 9844877 A1	15-10-1998

US 5397364	A	14-03-1995	AU 680309 B2	24-07-1997
			AU 7921794 A	04-05-1995
			CA 2172638 A1	20-04-1995
			CN 1137232 A	04-12-1996
			EP 0725607 A1	14-08-1996
			JP 9503416 T	08-04-1997
			WO 9510248 A1	20-04-1995
			ZA 9407959 A	22-05-1995

WO 0022998	A	27-04-2000	AU 4986099 A	08-05-2000
			EP 1123054 A1	16-08-2001
			WO 0022998 A1	27-04-2000
			US 2002116065 A1	22-08-2002

WO 9960837	A	02-12-1999	AU 4099599 A	13-12-1999
			AU 4205899 A	13-12-1999
			AU 4408099 A	13-12-1999
			US 2002055745 A1	09-05-2002
			WO 9960956 A1	02-12-1999
			WO 9960837 A2	02-12-1999
			WO 9960957 A1	02-12-1999
			US 6368325 B1	09-04-2002
			US 6290724 B1	18-09-2001
			US 6251140 B1	26-06-2001
			AU 2211400 A	31-07-2000
			AU 2211500 A	31-07-2000
			AU 4422699 A	31-07-2000
			EP 1146816 A1	24-10-2001
			JP 2003524452 T	19-08-2003
			WO 0038574 A1	06-07-2000
			WO 0038766 A1	06-07-2000
			WO 0038582 A1	06-07-2000
			US 6564078 B1	13-05-2003
			US 6312443 B1	06-11-2001
			US 6280447 B1	28-08-2001
			AU 4422899 A	14-02-2000
			AU 4547999 A	04-09-2000
			AU 4674499 A	14-03-2000
			CA 2334693 A1	02-03-2000
			CA 2345918 A1	24-08-2000
			EP 1113756 A1	11-07-2001
			EP 1093342 A1	25-04-2001
			JP 2002529117 T	10-09-2002
			JP 2002537014 T	05-11-2002
			WO 0010461 A1	02-03-2000
			WO 0048521 A1	24-08-2000
			WO 0004839 A1	03-02-2000
US 6224603 B1	01-05-2001			
US 6221082 B1	24-04-2001			
US 6519319 B1	11-02-2003			
US 6530930 B1	11-03-2003			

DE 4323595	C	07-07-1994	DE 4323595 C1	07-07-1994
			DE 59400102 D1	14-03-1996
			EP 0634157 A1	18-01-1995

INTERNATIONAL SEARCH REPORT

Information on patent family members

International Application No

PCT/IB 03/00713

Patent document cited in search report		Publication date	Patent family member(s)	Publication date
DE 4323595	C		ES 2082665 T3	16-03-1996
US 5554194	A	10-09-1996	CA 2175284 A1 EP 0747019 A2	08-12-1996 11-12-1996
US 2002029084	A1	07-03-2002	US 6258125 B1 WO 0007527 A1 WO 0170137 A2 US 2001049560 A1 US 2002062153 A1 CA 2338881 A1 EP 1100417 A1 AU 4936701 A AU 4936801 A AU 4936901 A CA 2403672 A1 CA 2403683 A1 CA 2403688 A1 EP 1265557 A2 EP 1265555 A2 EP 1296620 A2 WO 0170139 A2 WO 0170136 A2 US 2001039456 A1 US 2001056302 A1 US 2001039458 A1 US 2001039457 A1 US 2001041941 A1	10-07-2001 17-02-2000 27-09-2001 06-12-2001 23-05-2002 17-02-2000 23-05-2001 03-10-2001 03-10-2001 03-10-2001 27-09-2001 27-09-2001 27-09-2001 18-12-2002 18-12-2002 02-04-2003 27-09-2001 27-09-2001 08-11-2001 27-12-2001 08-11-2001 08-11-2001 15-11-2001
US 4997432	A	05-03-1991	DE 3809793 A1 DE 58904931 D1 EP 0333990 A2 ES 2042814 T3 US 5122130 A	05-10-1989 26-08-1993 27-09-1989 16-12-1993 16-06-1992
WO 0162166	A	30-08-2001	AU 4161201 A CA 2395390 A1 EP 1259175 A2 JP 2003523257 T WO 0162166 A2 US 2003032962 A1	03-09-2001 30-08-2001 27-11-2002 05-08-2003 30-08-2001 13-02-2003
WO 0025707	A	11-05-2000	AU 741941 B2 AU 1708900 A CA 2344891 A1 EP 1131020 A1 JP 2003521273 T WO 0025707 A1 US 2003149483 A1 US 6537320 B1 US 2001047207 A1	13-12-2001 22-05-2000 11-05-2000 12-09-2001 15-07-2003 11-05-2000 07-08-2003 25-03-2003 29-11-2001
DE 20116410	U	29-11-2001	DE 10149385 A1 DE 20116410 U1	17-04-2003 29-11-2001
WO 0128469	A	26-04-2001	AU 2615301 A CA 2386399 A1 EP 1221915 A2	30-04-2001 26-04-2001 17-07-2002

INTERNATIONAL SEARCH REPORT

Information on patent family members

International Application No

PCT/IB 03/00713

Patent document cited in search report	Publication date	Patent family member(s)	Publication date
WO 0128469	A	JP 2003511202 T WO 0128469 A2 US 2002165550 A1 US 2002019637 A1	25-03-2003 26-04-2001 07-11-2002 14-02-2002
US 6224599	B1	01-05-2001	NONE
WO 0209606	A	07-02-2002	AU 8099501 A WO 0209606 A2 US 2002026192 A1
EP 1043002	A	11-10-2000	EP 1043002 A2
WO 0067651	A	16-11-2000	US 6607530 B1 AU 5129400 A CA 2373633 A1 EP 1176916 A1 JP 2002543871 T WO 0067651 A1
EP 1222903	A	17-07-2002	EP 1222903 A1 CA 2421153 A1 CZ 20030559 A3 WO 02054994 A1
WO 02071986	A	19-09-2002	WO 02071986 A2
US 6432107	B1	13-08-2002	US 2002128652 A1