

(19) World Intellectual Property Organization  
International Bureau



(43) International Publication Date  
7 February 2008 (07.02.2008)

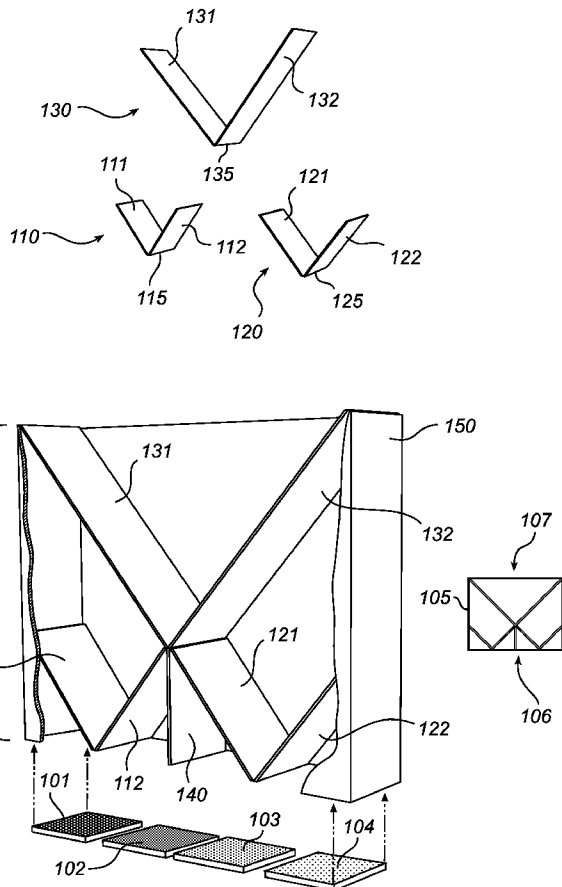
PCT

(10) International Publication Number  
**WO 2008/015601 A3**

- (51) International Patent Classification:  
G02B 27/09 (2006.01) G02F 1/13357 (2006.01)  
G02B 6/00 (2006.01)
- (21) International Application Number:  
PCT/IB2007/052801
- (22) International Filing Date: 13 July 2007 (13.07.2007)
- (25) Filing Language: English
- (26) Publication Language: English
- (30) Priority Data:  
06118148.3 31 July 2006 (31.07.2006) EP
- (71) Applicant (for all designated States except US): **KONINKLIJKE PHILIPS ELECTRONICS N.V.** [NL/NL];  
Groenewoudseweg 1, NL-5621 BA Eindhoven (NL).
- (72) Inventors; and
- (75) Inventors/Applicants (for US only): **KRIJN, Marcellinus, P., C., M.** [NL/NL]; c/o High Tech Campus Building 44, NL-5656 AE Eindhoven (NL). **VAN GORKOM, Ramon, P.** [NL/NL]; c/o High Tech Campus Building 44, NL-5656 AE Eindhoven (NL).
- (74) Agents: **ROLFES, Johannes, G., A.** et al.; High Tech Campus, Building 44, NL-5656 AE Eindhoven (NL).
- (81) Designated States (unless otherwise indicated, for every kind of national protection available): AE, AG, AL, AM, AT, AU, AZ, BA, BB, BG, BH, BR, BW, BY, BZ, CA, CH, CN, CO, CR, CU, CZ, DE, DK, DM, DO, DZ, EC, EE, EG, ES, FI, GB, GD, GE, GH, GM, GT, HN, HR, HU, ID, IL, IN, IS, JP, KE, KG, KM, KN, KP, KR, KZ, LA, LC, LK, LR, LS, LT, LU, LY, MA, MD, ME, MG, MK, MN, MW, MX, MY, MZ, NA, NG, NI, NO, NZ, OM, PG, PH, PL, PT, RO, RS, RU, SC, SD, SE, SG, SK, SL, SM, SV, SY, TJ, TM, TN, TR, TT, TZ, UA, UG, US, UZ, VC, VN, ZA, ZM, ZW.
- (84) Designated States (unless otherwise indicated, for every kind of regional protection available): ARIPO (BW, GH, GM, KE, LS, MW, MZ, NA, SD, SL, SZ, TZ, UG, ZM, ZW), Eurasian (AM, AZ, BY, KG, KZ, MD, RU, TJ, TM), European (AT, BE, BG, CH, CY, CZ, DE, DK, EE, ES, FI, FR, GB, GR, HU, IE, IS, IT, LT, LU, LV, MC, MT, NL, PL,

[Continued on next page]

(54) Title: LIGHT-EMITTING DEVICE



(57) Abstract: A light-emitting device (100) is provided, comprising four light sources (101, 102, 103, 104) and a collimating element (105) for collimating and mixing the light from the light sources. The light-collimating element comprises three V-shaped profile surfaces (110, 120, 130) arranged with their edges (115, 125, 135) towards the light sources. The V-shaped profile surfaces are provided with dichroic filters that transmits light from the light sources that they are arranged in front of, and reflects light from the remaining light sources. Such a device is capable of collimating and mixing the light from the four light sources, such that essentially the same degree of collimation is achieved for all four light sources.

WO 2008/015601 A3



PT, RO, SE, SI, SK, TR), OAPI (BF, BJ, CF, CG, CI, CM,  
GA, GN, GQ, GW, ML, MR, NE, SN, TD, TG).

**Published:**

- *with international search report*
- *before the expiration of the time limit for amending the claims and to be republished in the event of receipt of amendments*

**Declaration under Rule 4.17:**

- *as to applicant's entitlement to apply for and be granted a patent (Rule 4.17(ii))*

**(88) Date of publication of the international search report:**

3 April 2008

**INTERNATIONAL SEARCH REPORT**

International application No  
PCT/IB2007/052801

**A. CLASSIFICATION OF SUBJECT MATTER**  
INV. G02B27/09 G02B6/00 G02F1/13357

According to International Patent Classification (IPC) or to both national classification and IPC

**B. FIELDS SEARCHED**

Minimum documentation searched (classification system followed by classification symbols)  
G02B G02F

Documentation searched other than minimum documentation to the extent that such documents are included in the fields searched

Electronic data base consulted during the international search (name of data base and, where practical, search terms used)

EPO-Internal, WPI Data, INSPEC

**C. DOCUMENTS CONSIDERED TO BE RELEVANT**

Category*	Citation of document, with indication, where appropriate, of the relevant passages	Relevant to claim No.
A	US 2005/047135 A1 (RHOADS GREG [US] ET AL) 3 March 2005 (2005-03-03) abstract; figure 2 -----	1-9
A	US 2005/254127 A1 (EVANS ALLAN [GB] ET AL) 17 November 2005 (2005-11-17) paragraph [0110]; figure 18 -----	1-9
P,A	WO 2006/129220 A (KONINKL PHILIPS ELECTRONICS NV [NL]; KRIJN MARCELLINUS P C M [NL]; VAN) 7 December 2006 (2006-12-07) the whole document -----	1-9

Further documents are listed in the continuation of Box C.

See patent family annex.

\* Special categories of cited documents :

- \*A\* document defining the general state of the art which is not considered to be of particular relevance
- \*E\* earlier document but published on or after the international filing date
- \*L\* document which may throw doubts on priority claim(s) or which is cited to establish the publication date of another citation or other special reason (as specified)
- \*O\* document referring to an oral disclosure, use, exhibition or other means
- \*P\* document published prior to the international filing date but later than the priority date claimed

- \*T\* later document published after the international filing date or priority date and not in conflict with the application but cited to understand the principle or theory underlying the invention
- \*X\* document of particular relevance; the claimed invention cannot be considered novel or cannot be considered to involve an inventive step when the document is taken alone
- \*Y\* document of particular relevance; the claimed invention cannot be considered to involve an inventive step when the document is combined with one or more other such documents, such combination being obvious to a person skilled in the art.
- \* & \* document member of the same patent family

Date of the actual completion of the international search

14 January 2008

Date of mailing of the international search report

24/01/2008

Name and mailing address of the ISA/  
European Patent Office, P.B. 5818 Patentlaan 2  
NL - 2280 HV Rijswijk  
Tel. (+31-70) 340-2040, Tx. 31 651 epo nl,  
Fax: (+31-70) 340-3016

Authorized officer  
  
Jones, Julian

**INTERNATIONAL SEARCH REPORT**

Information on patent family members

International application No

PCT/IB2007/052801

Patent document cited in search report	Publication date	Patent family member(s)	Publication date
US 2005047135	A1	03-03-2005	NONE
US 2005254127	A1	17-11-2005	CN 1755420 A 05-04-2006 GB 2414127 A 16-11-2005 JP 2005326855 A 24-11-2005
WO 2006129220	A	07-12-2006	NONE