



US0D1074584S

(12) **United States Design Patent**
Liu

(10) **Patent No.:** **US D1,074,584 S**

(45) **Date of Patent:** **** May 13, 2025**

(54) **BATTERY CHARGER**

(71) Applicant: **Tianchang Baoda Electronic Technology Co., LTD**, Chuzhou (CN)

(72) Inventor: **Dexiang Liu**, Chuzhou (CN)

(**) Term: **15 Years**

(21) Appl. No.: **29/878,127**

(22) Filed: **Jun. 16, 2023**

(51) **LOC (15) Cl.** **13-02**

(52) **U.S. Cl.**
USPC **D13/107**

(58) **Field of Classification Search**
USPC D13/103, 107, 110, 118, 119, 123, 162,
D13/184; D14/432, 433
CPC H02J 7/0013; H02J 7/0042; H02J 7/0044;
H02J 7/0045; H02J 7/0047; H02J 7/007;
H02J 7/02; H01M 10/425
See application file for complete search history.

(56) **References Cited**

U.S. PATENT DOCUMENTS

D654,854	S	*	2/2012	Inskeep	D13/107
D696,188	S	*	12/2013	Loeck	D13/108
D701,490	S	*	3/2014	Inskeep	D13/110
D786,192	S	*	5/2017	Liu	D13/107
D814,408	S	*	4/2018	Yang	D13/107
D821,306	S	*	6/2018	Liu	D13/107
D872,011	S	*	1/2020	Rao	D13/107
D874,396	S	*	2/2020	Rao	D13/107
D902,851	S	*	11/2020	Wu	D13/107
D918,830	S	*	5/2021	Chen	D13/103
D919,572	S	*	5/2021	Lei	D13/110
D926,124	S	*	7/2021	Zhu	D13/107
D934,793	S	*	11/2021	Shu	D13/107
D937,763	S	*	12/2021	Wang	D13/107
D944,191	S	*	2/2022	Wang	D13/107
D958,064	S	*	7/2022	Finocchiaro	D13/107

D960,827	S	*	8/2022	Wu	D13/107
D969,079	S	*	11/2022	Yin	D13/118
D976,202	S	*	1/2023	Lei	D13/107

(Continued)

FOREIGN PATENT DOCUMENTS

GB	6227597	*	9/2022
GB	6275255	*	4/2023

OTHER PUBLICATIONS

Teisqi Car Battery Charger, Feb. 27, 2024, Amazon, retrieved Dec. 27, 2024: <https://www.amazon.com/dp/B0CWKBPBNT> (Year: 2024).*

(Continued)

Primary Examiner — Jack Reickel
Assistant Examiner — Charles Hwang

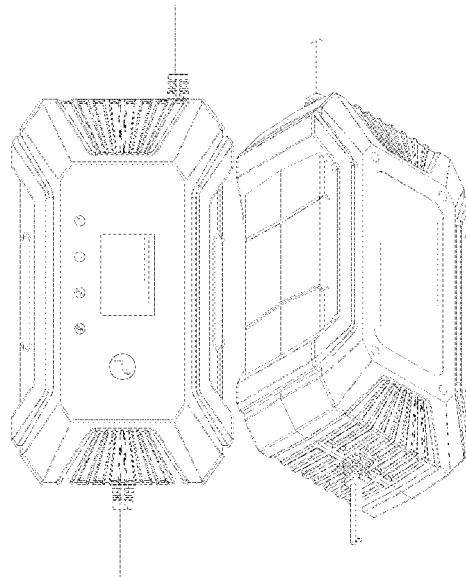
(57) **CLAIM**

The ornamental design for a battery charger, as shown and described.

DESCRIPTION

FIG. 1 is a front elevation view of a battery charger showing the new design;
FIG. 2 is a back elevation view thereof;
FIG. 3 is a left-side view thereof;
FIG. 4 is a right-side view thereof;
FIG. 5 is a top plan view thereof;
FIG. 6 is a bottom plan view thereof;
FIG. 7 is a perspective view thereof;
FIG. 8 is another perspective view thereof;
FIG. 9 is an enlarged view of the encircled portion in FIG. 5 thereof; and,
FIG. 10 is an enlarged view of the encircled portion in FIG. 6.
The dash-dot lines are included to show the enlarged portion of the claimed design, and forms no part of the claimed design.

1 Claim, 10 Drawing Sheets



(56)

References Cited

U.S. PATENT DOCUMENTS

D976,814 S * 1/2023 Shum H02J 7/342
D13/107
2021/0094428 A1* 4/2021 Nook B60L 3/0046
2022/0140624 A1* 5/2022 Shread H02J 7/35
320/165

OTHER PUBLICATIONS

Haimzx Car Battery Charger, Jun. 14, 2023, Amazon, retrieved Dec. 27, 2024: <https://www.amazon.com/dp/B0C7ZVZYV3> (Year: 2023).*

Nexpeak NC201 10-Amp Battery Charger, May 25, 2021, Amazon, retrieved Dec. 27, 2024: <https://www.amazon.com/dp/B094VQ88X2> (Year: 2021).*

* cited by examiner

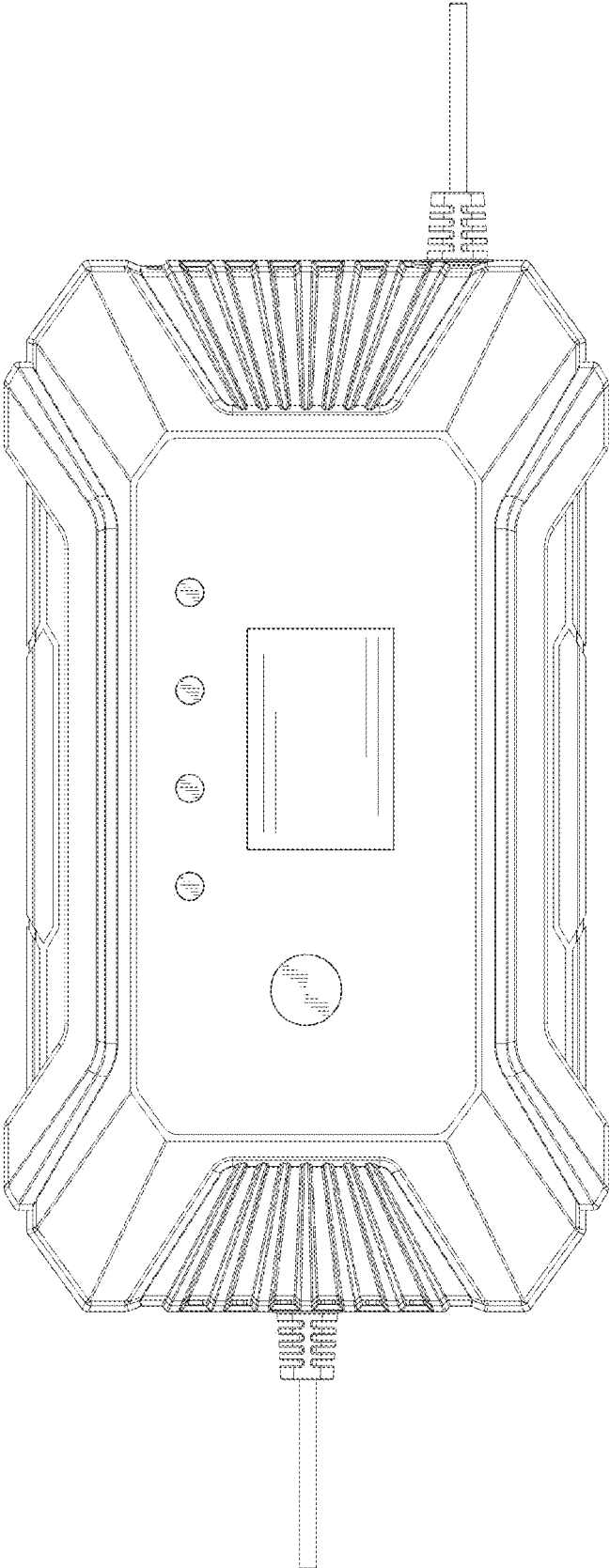


FIG. 1

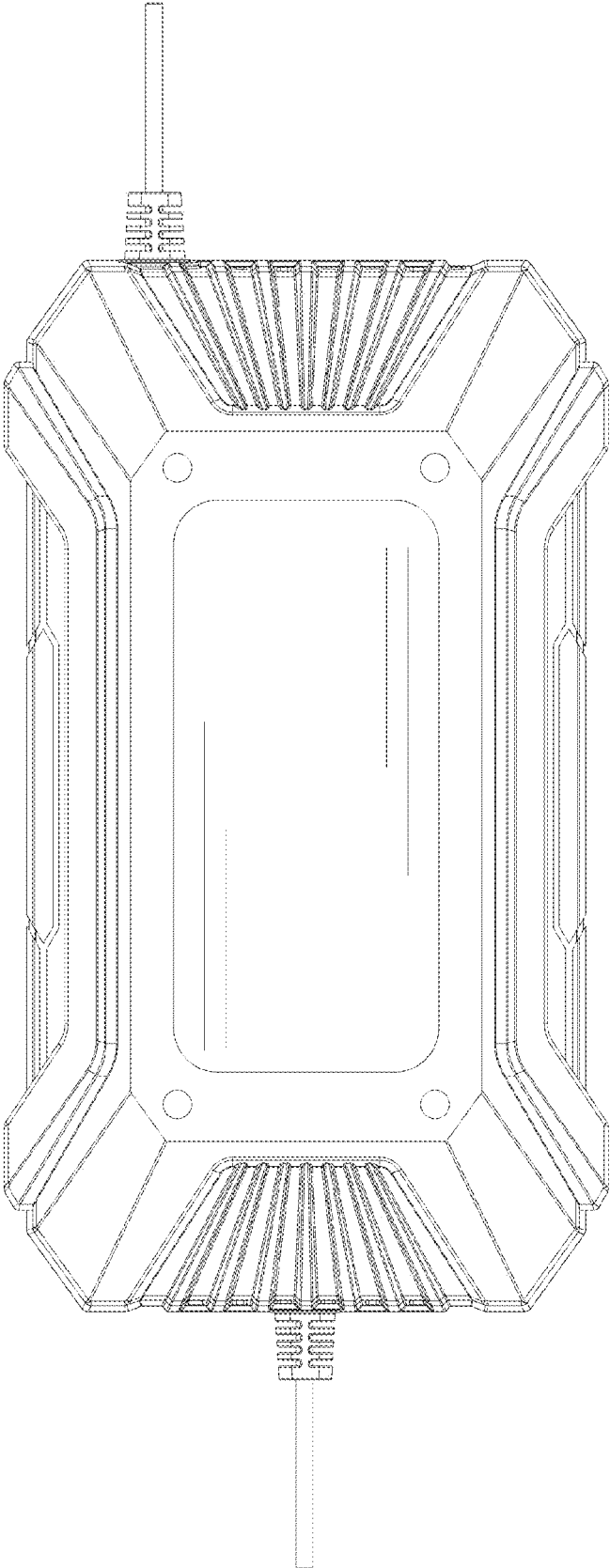


FIG. 2

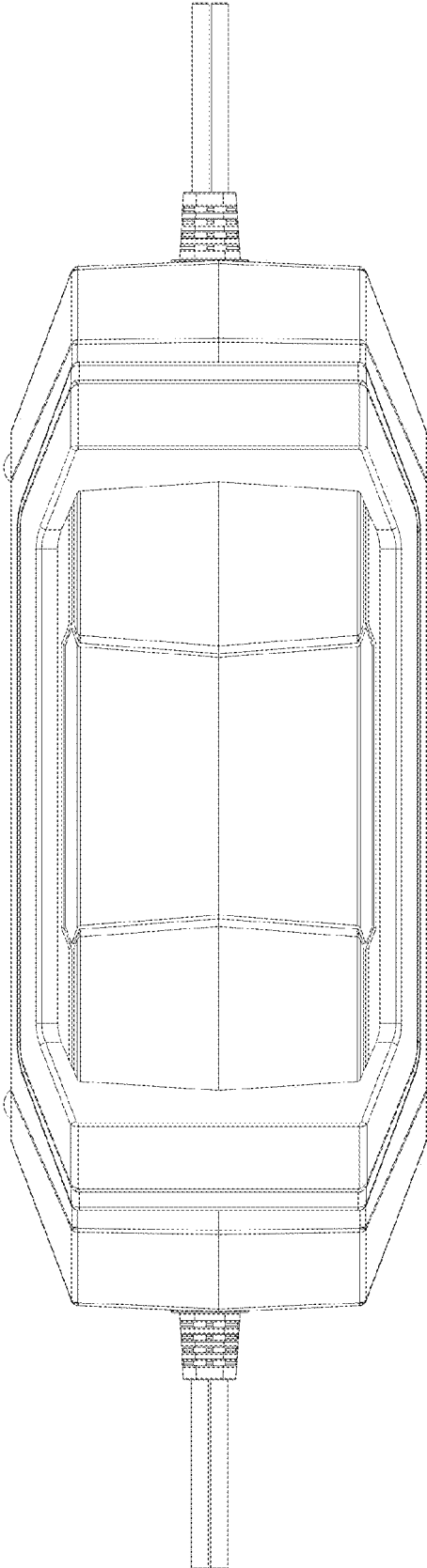


FIG. 3

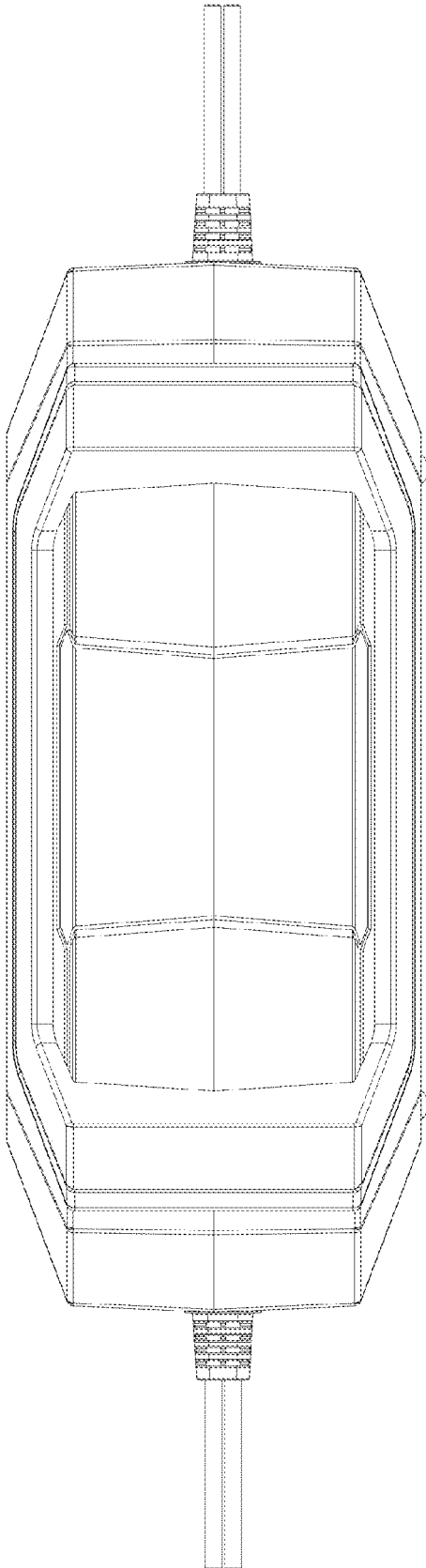


FIG. 4

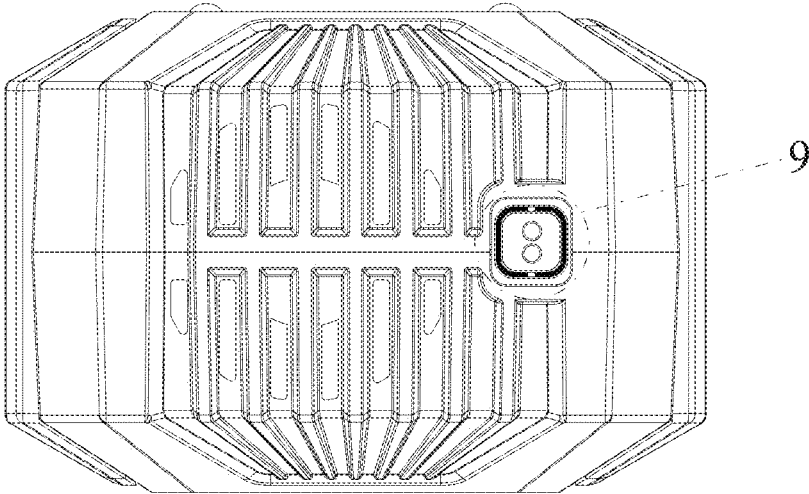


FIG. 5

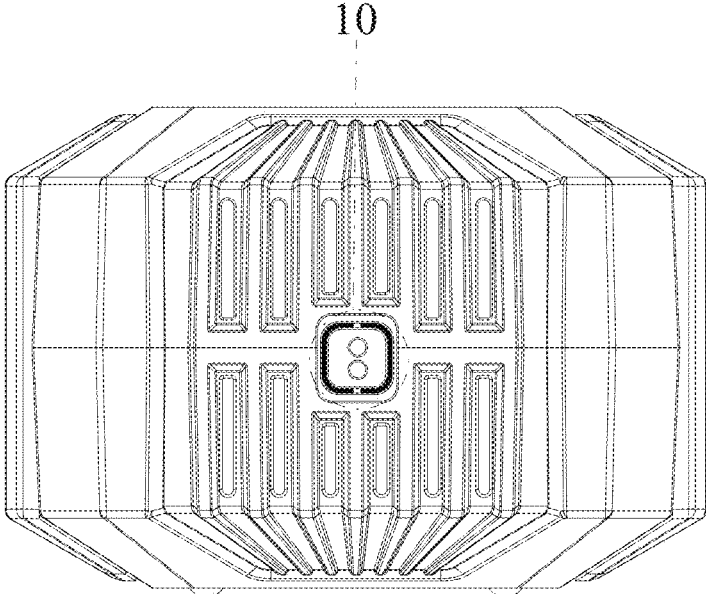


FIG. 6

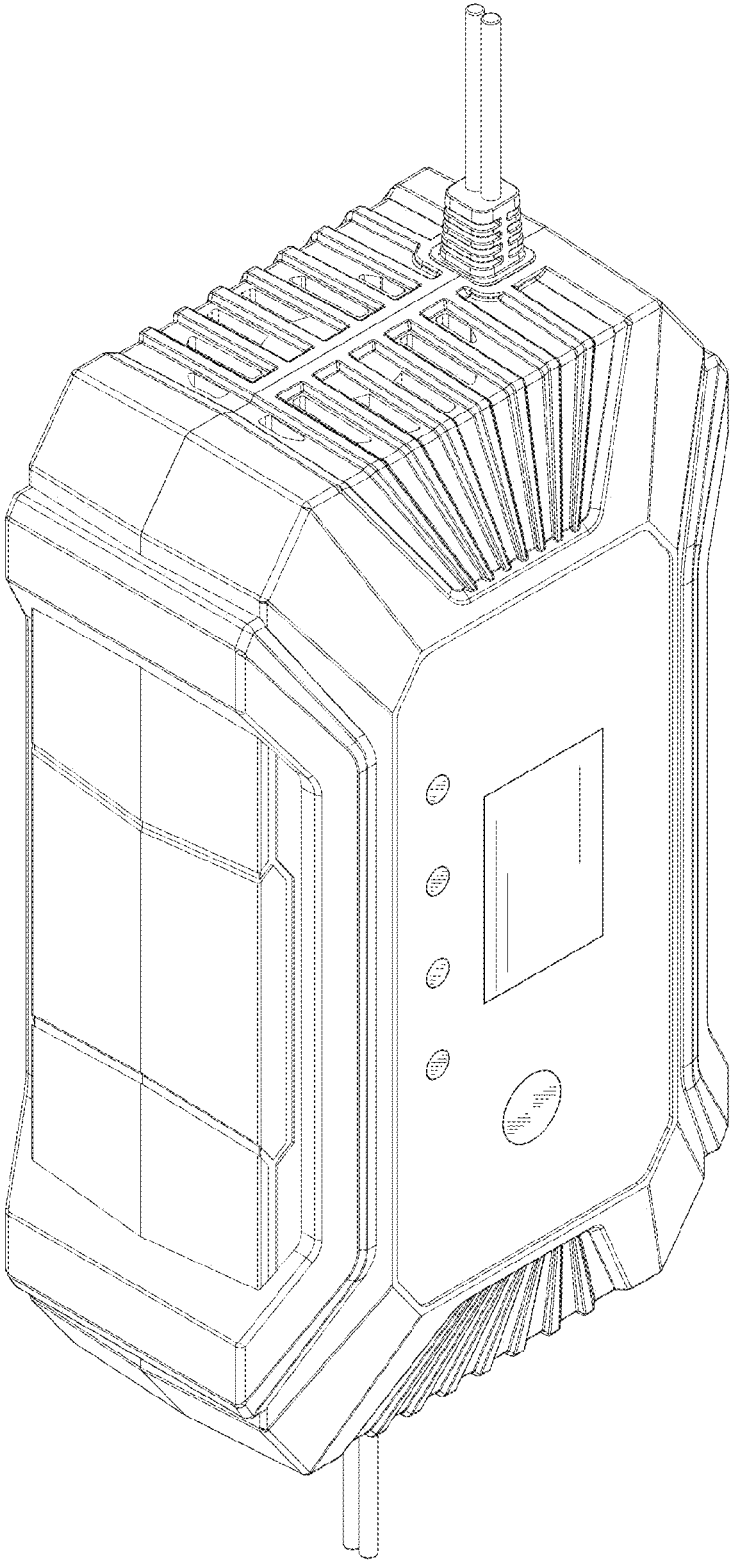


FIG. 7

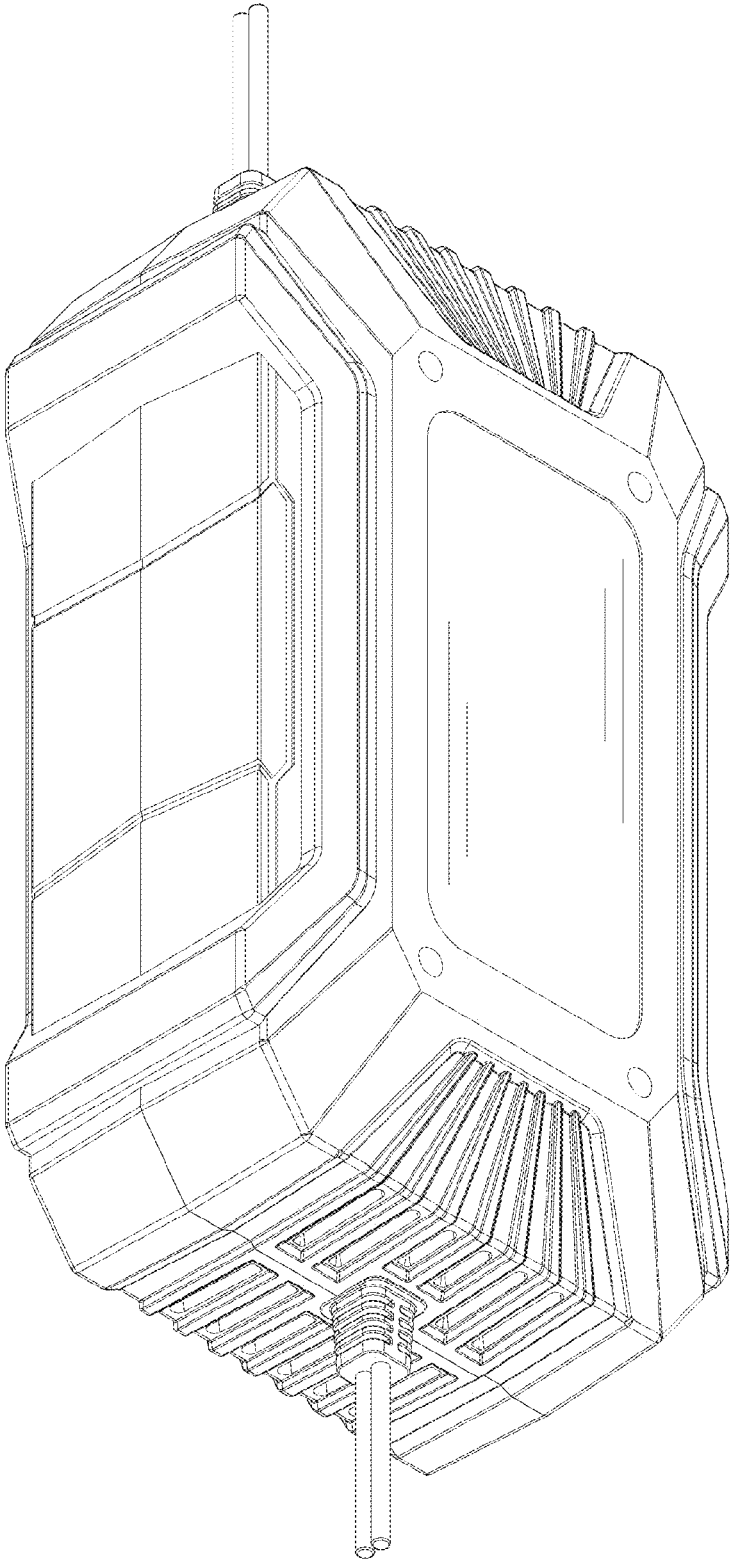


FIG. 8

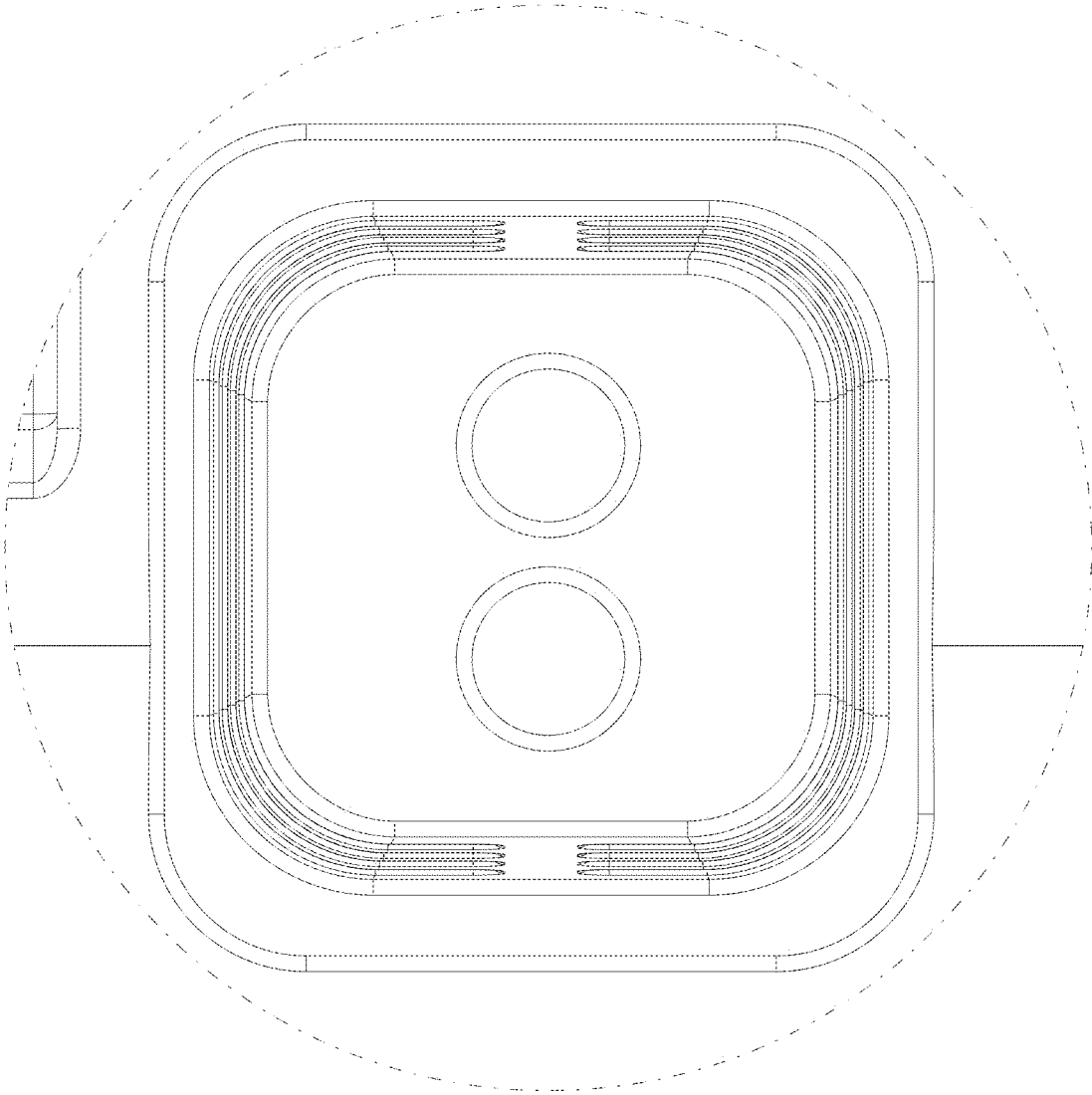


FIG. 9

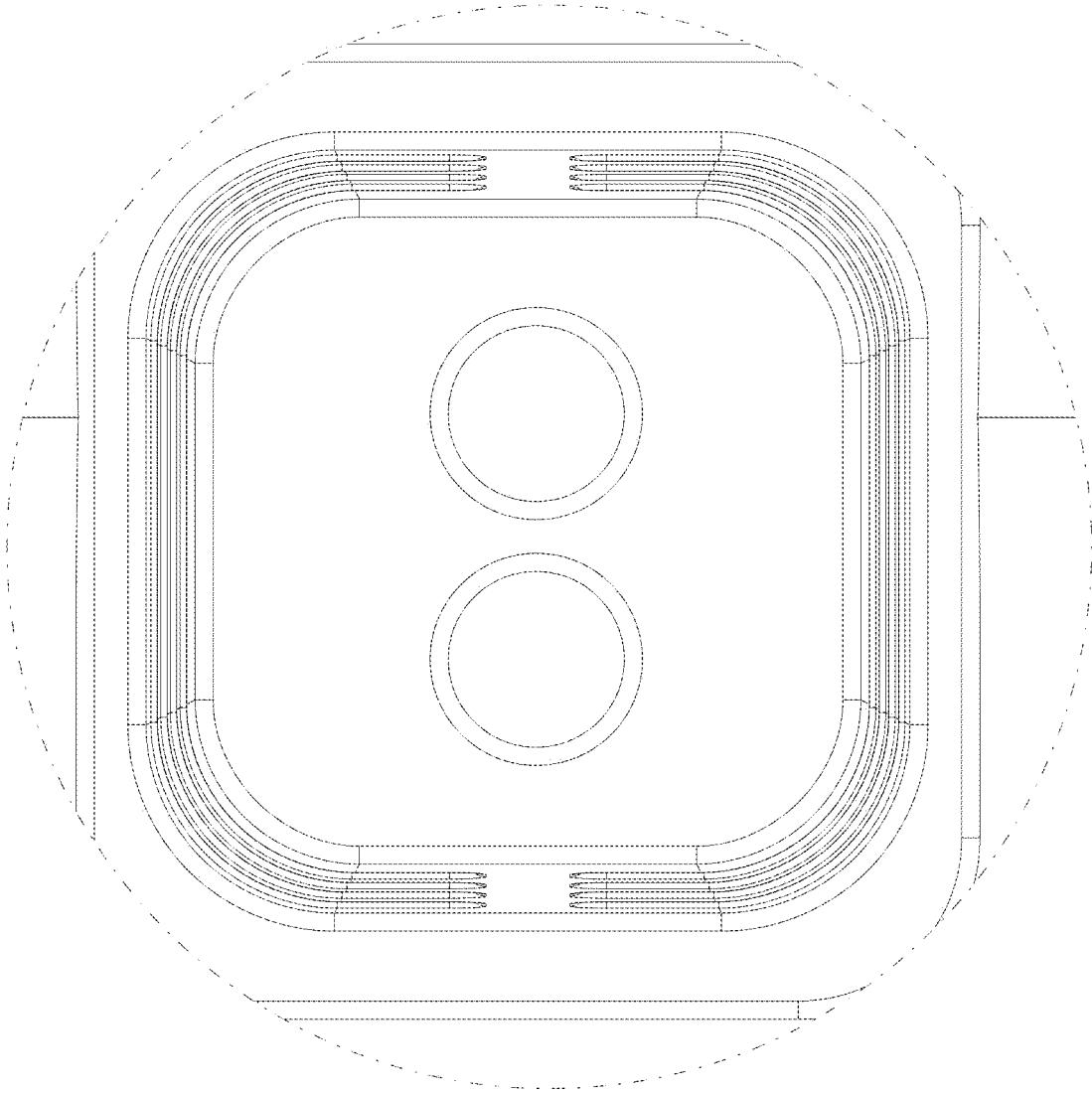


FIG. 10