



US00D775013S

(12) **United States Design Patent** (10) **Patent No.:** **US D775,013 S**
Bennett et al. (45) **Date of Patent:** **** Dec. 27, 2016**

(54) **FRONT BUMPER FOR A VEHICLE** D460,030 S * 7/2002 Duckett D12/169
D502,433 S * 3/2005 McClanahan D12/169
(71) Applicant: **Omix-Ada, Inc.**, Suwanee, GA (US) D590,752 S * 4/2009 Williams D12/169
7,703,834 B1 * 4/2010 Hardy B60R 9/06
(72) Inventors: **Patrick W. Bennett**, Gainesville, GA D713,305 S * 9/2014 Sperling D12/169
(US); **Alain Eboli**, Suwanee, GA (US) D722,927 S 2/2015 Schroeder
D737,181 S 8/2015 Smith
(73) Assignee: **Omix-Ada, Inc.**, Suwanee, GA (US) D743,856 S 11/2015 Ma
D744,384 S * 12/2015 Harriton D12/169
(**) Term: **15 Years** (Continued)

(21) Appl. No.: **29/561,615**

OTHER PUBLICATIONS

(22) Filed: **Apr. 18, 2016**

“Off Road Truck Bumper Buyer’s Guide.” Four Wheeler., Aug. 1, 2007 [online], [retrieved on Aug. 30, 2016]. Retrieved from the Internet <URL: <http://www.fourwheeler.com/how-to/0808or-off-road-truck-bumper-buyers-guide/>>.*

Related U.S. Application Data

(Continued)

(62) Division of application No. 29/508,103, filed on Nov. 3, 2014, now Pat. No. Des. 760,133.

(51) **LOC (10) Cl.** **12-16**

Primary Examiner — Darlington Ly

(52) **U.S. Cl.**

(74) *Attorney, Agent, or Firm* — Womble Carlyle

USPC **D12/169**; D12/171

Sandridge & Rice LLP

(58) **Field of Classification Search**

(57) **CLAIM**

USPC D12/86, 90–92, 163, 169, 171, 196, 216;
293/102, 113, 115, 117, 120; 296/180.1,
296/180.2

The ornamental design for a front bumper for a vehicle, as shown and described.

CPC B62D 25/02; B62D 25/08; B62D 25/087;
B62D 25/24

DESCRIPTION

See application file for complete search history.

(56) **References Cited**

FIG. 1 is a perspective view of a front bumper for a vehicle showing our new design.

U.S. PATENT DOCUMENTS

FIG. 2 is a front view thereof.

D300,128 S 3/1989 Brennan
D360,865 S * 8/1995 Hanson D12/169
D375,067 S 10/1996 Bronstein
D432,469 S 10/2000 Nelson
D454,098 S * 3/2002 McGuinness D12/171
D454,099 S 3/2002 McGuinness
D454,525 S 3/2002 McGuinness
D454,817 S 3/2002 McGuinness
D455,684 S 4/2002 McGuinness
D455,988 S * 4/2002 McGuinness D12/171

FIG. 3 is a back view thereof.

FIG. 4 is a top view thereof.

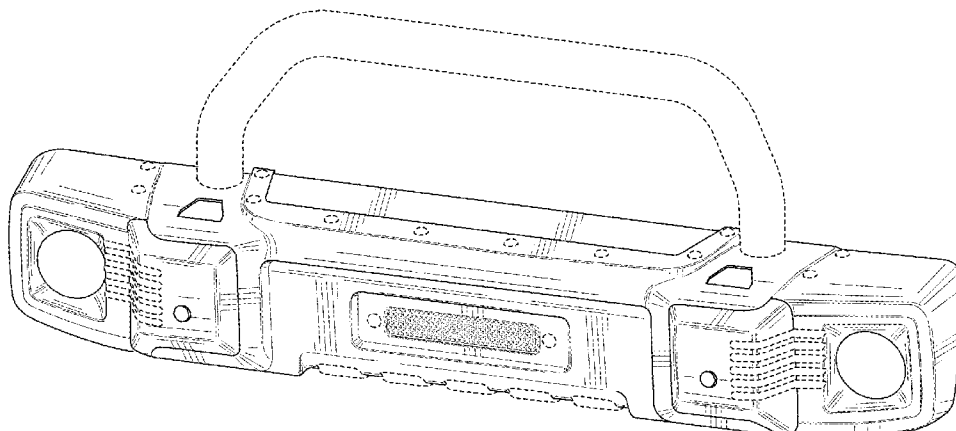
FIG. 5 is a bottom view thereof.

FIG. 6 is a left side view thereof; and,

FIG. 7 is a right side view thereof.

The broken lines illustrate portions of the front bumper for a vehicle that form no part of the claimed design.

1 Claim, 5 Drawing Sheets



(56)

References Cited

U.S. PATENT DOCUMENTS

D744,387 S * 12/2015 Harriton D12/169
D751,012 S * 3/2016 Hare D12/169
D760,133 S * 6/2016 Bennett D12/171
2006/0192398 A1 8/2006 Buniewicz
2009/0302623 A1 * 12/2009 Finney B60R 19/52
293/115

OTHER PUBLICATIONS

“Front Bumper Replacement.” Full Size Chevy., Dec. 16, 2010 [online], [retrieved on Aug. 30, 2016]. Retrieved from the Internet <URL: <http://www.fullsizechevy.com/forum/showthread.php?459687-Front-Bumper-Replacement>>.*
“My Build Thread.” F150 Forum., Jul. 12, 2012 [online], [retrieved on Aug. 30, 2016]. Retrieved from the Internet <URL: <http://www.f150forum.com/f78/my-build-thread-122171/index122/#post1866793>>.*

* cited by examiner

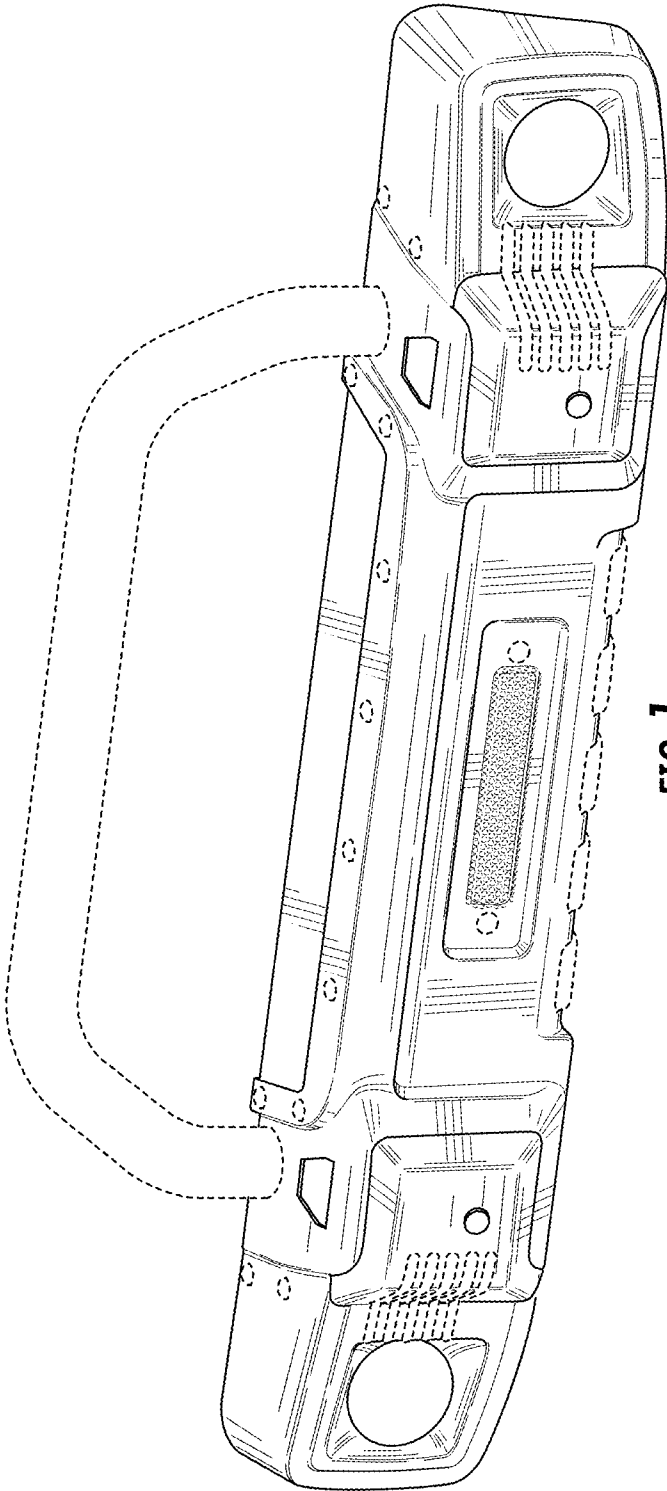


FIG. 1

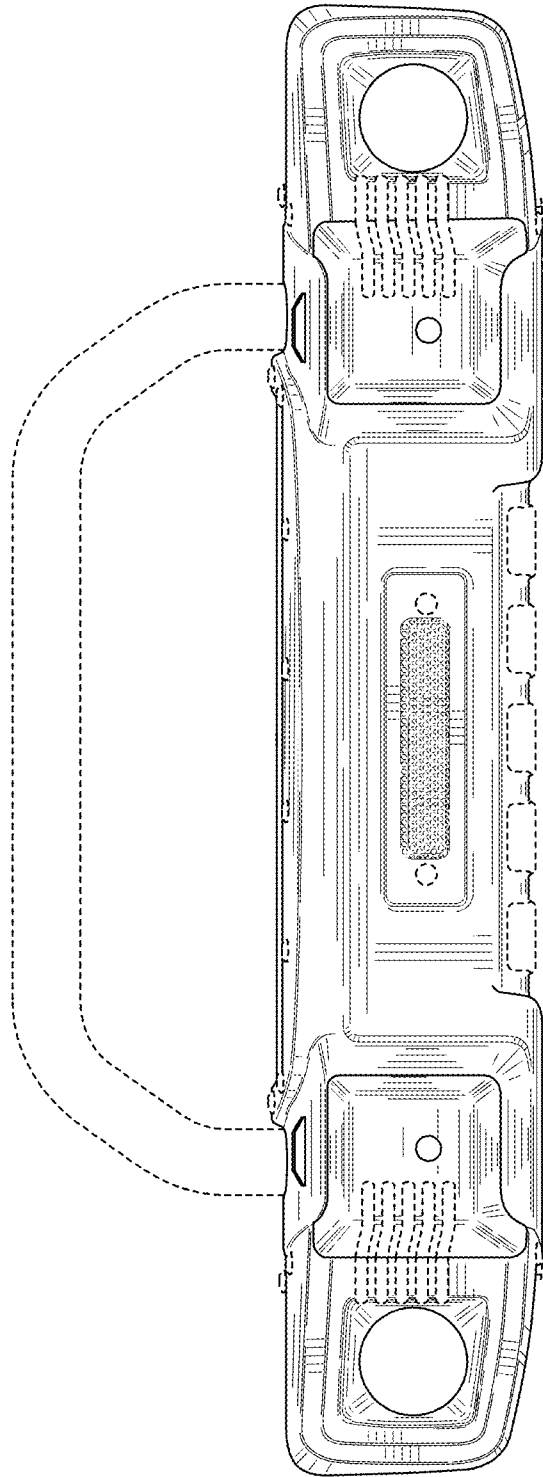


FIG. 2

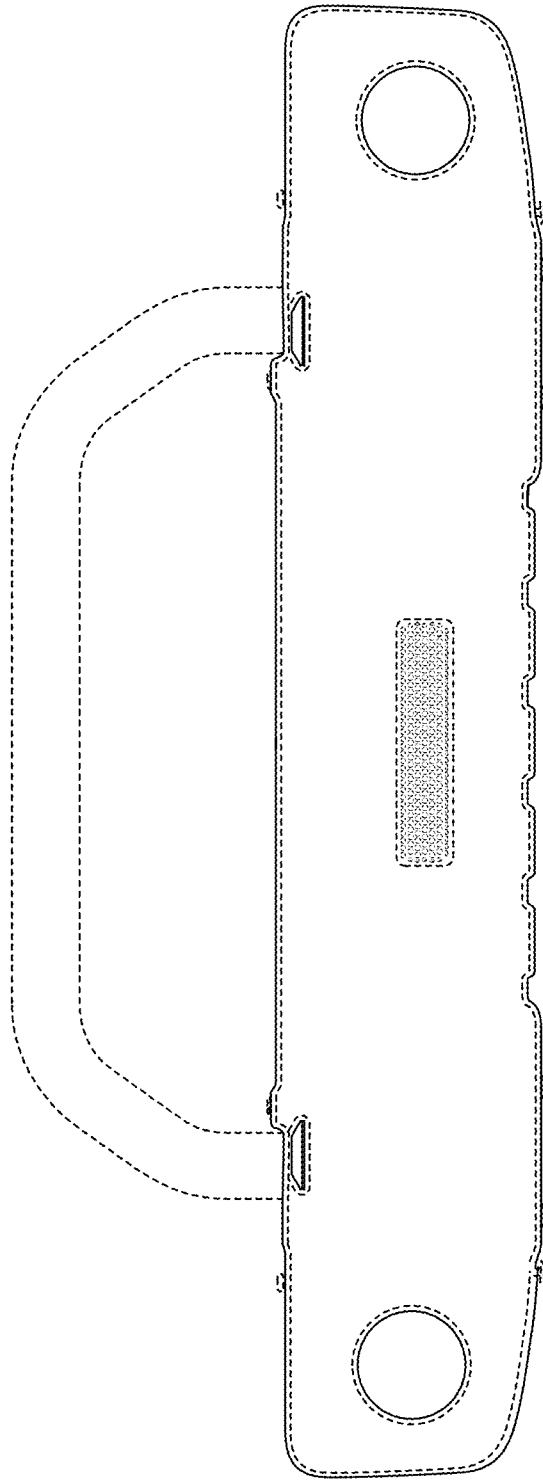


FIG. 3

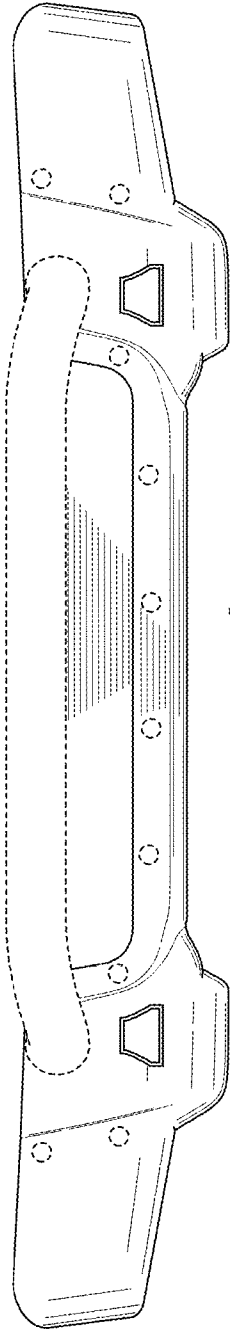


FIG. 4

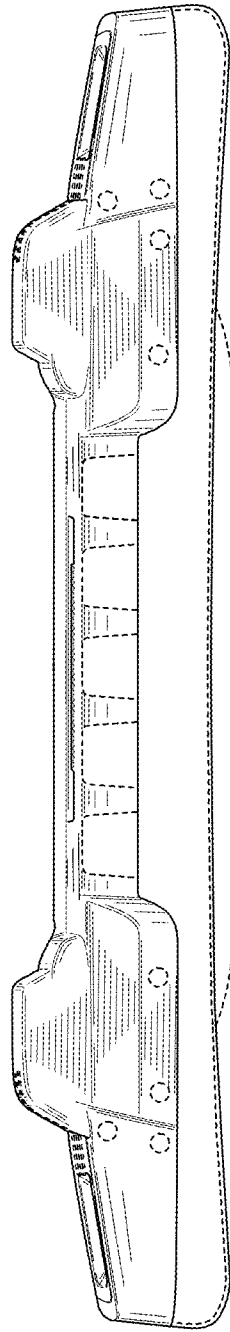


FIG. 5

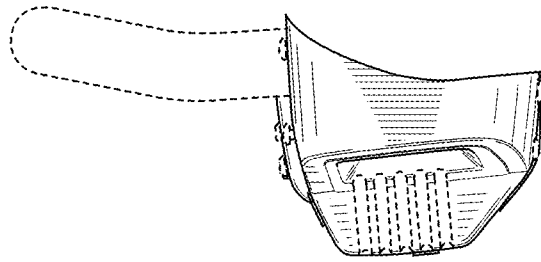


FIG. 7

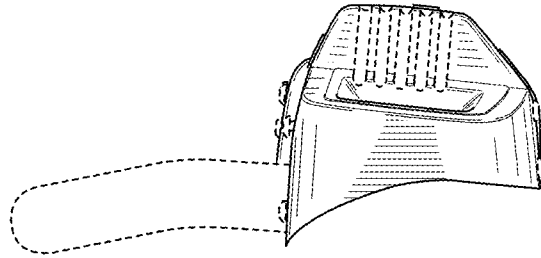


FIG. 6