

[54] WATCH

[75] Inventor: Umberto Maglioli, Monza, Italy

[73] Assignee: Orfina Uhren AG, Grenchen, Switzerland

[**] Term: 14 Years

[21] Appl. No.: 476,896

[22] Filed: Mar. 18, 1983

[52] U.S. Cl. D10/39; D10/30

[58] Field of Search D10/1, 30-39, D10/122-126; 368/285, 223, 228, 239-242, 280-282

[56] References Cited

U.S. PATENT DOCUMENTS

D. 159,389	7/1950	Parel	D10/39 X
D. 225,124	11/1972	Osawa	D10/39
D. 234,943	4/1975	Marquand	D10/39
D. 266,908	11/1982	Schwab	D10/39

OTHER PUBLICATIONS

European Jeweler—4/83—p. 53, Watches.
Swiss Watch and Jewelry Journal—2/82, p. 287—Watches.

European Jeweler—12/74—p. 14—Watch at bottom.

Primary Examiner—Nelson C. Holtje

Attorney, Agent, or Firm—Townsend and Townsend

[57] CLAIM

The ornamental design for a watch, as shown and described.

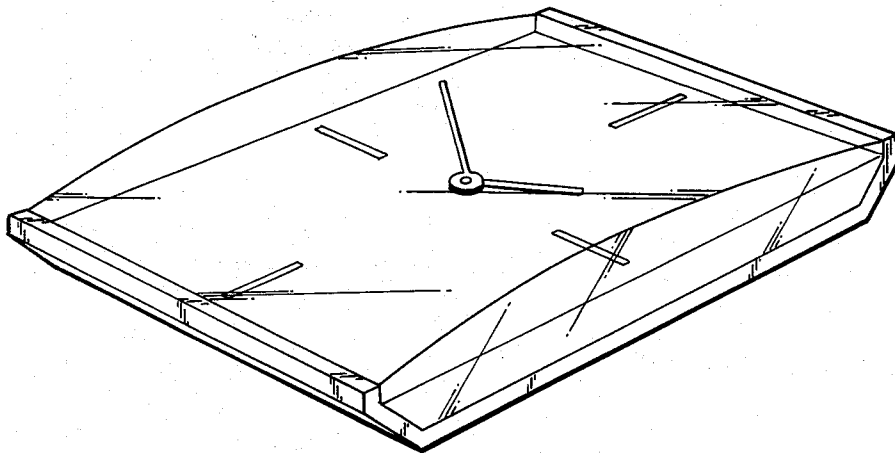
DESCRIPTION

FIG. 1 is a top and right front perspective view of a watch showing my new design;

FIG. 2 is a top plan view thereof, the broken line watch bands being illustrative and environmental only and forming no part of the claimed design;

FIG. 3 is a side elevational view thereof;

FIG. 4 is a bottom plan view thereof.



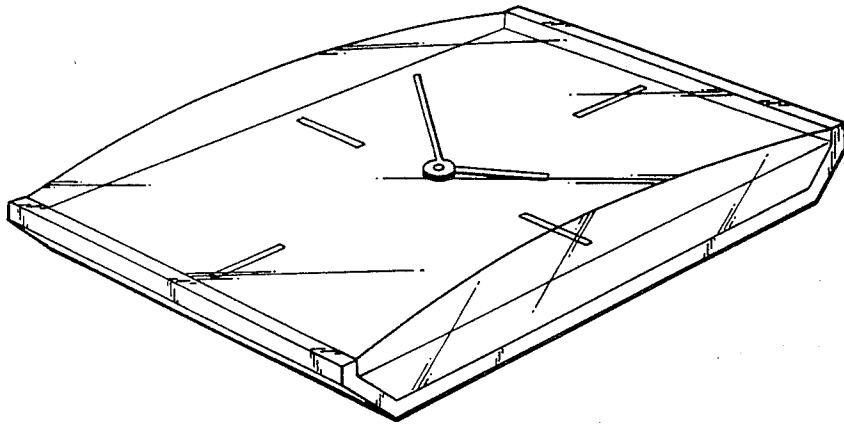


FIG. 1.

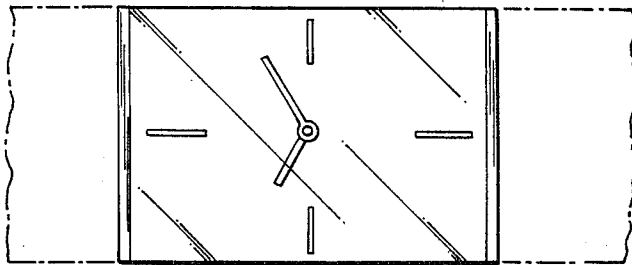


FIG. 2.

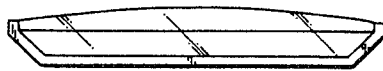


FIG. 3.

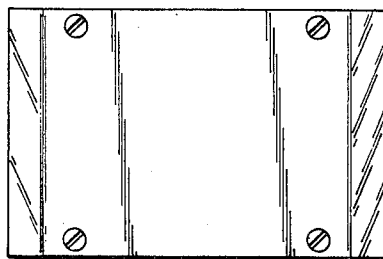


FIG. 4.