

(19) World Intellectual Property Organization
International Bureau



(43) International Publication Date
3 February 2005 (03.02.2005)

PCT

(10) International Publication Number
WO 2005/011301 A3

- (51) International Patent Classification⁷: **H04K 3/00**
- (21) International Application Number:
PCT/US2004/023339
- (22) International Filing Date: 21 July 2004 (21.07.2004)
- (25) Filing Language: English
- (26) Publication Language: English
- (30) Priority Data:
10/623,156 21 July 2003 (21.07.2003) US
- (71) Applicant (for all designated States except US):
TELECOMMUNICATION SYSTEMS, INC. [US/US];
Suite 400, 275 West Street, Annapolis, MD 21401 (US).

AT, AU, AZ, BA, BB, BG, BR, BW, BY, BZ, CA, CH, CN, CO, CR, CU, CZ, DE, DK, DM, DZ, EC, EE, EG, ES, FI, GB, GD, GE, GH, GM, HR, HU, ID, IL, IN, IS, JP, KE, KG, KP, KR, KZ, LC, LK, LR, LS, LT, LU, LV, MA, MD, MG, MK, MN, MW, MX, MZ, NA, NI, NO, NZ, OM, PG, PH, PL, PT, RO, RU, SC, SD, SE, SG, SK, SL, SY, TJ, TM, TN, TR, TT, TZ, UA, UG, US, UZ, VC, VN, YU, ZA, ZM, ZW.

- (72) Inventors; and
- (75) Inventors/Applicants (for US only): **POHUTSKY, Joseph**; 1195 New Church Lane, Annapolis, MD 21403 (US). **GROAN, Joel**; 18316 Ashworth Avenue, North, Shoreline, WA 98133 (US). **HELME, Steve**; 9615 46th Ave., Southwest, Seattle, WA 98136 (US).
- (74) Agent: **BOLLMAN, William, H.**; Manelli Denison & Selter PLLC, 2000 M Street, N.W., Suite 700, Washington, DC 20036-3307 (US).

(84) Designated States (unless otherwise indicated, for every kind of regional protection available): ARIPO (BW, GH, GM, KE, LS, MW, MZ, NA, SD, SL, SZ, TZ, UG, ZM, ZW), Eurasian (AM, AZ, BY, KG, KZ, MD, RU, TJ, TM), European (AT, BE, BG, CH, CY, CZ, DE, DK, EE, ES, FI, FR, GB, GR, HU, IE, IT, LU, MC, NL, PL, PT, RO, SE, SI, SK, TR), OAPI (BF, BJ, CF, CG, CI, CM, GA, GN, GQ, GW, ML, MR, NE, SN, TD, TG).

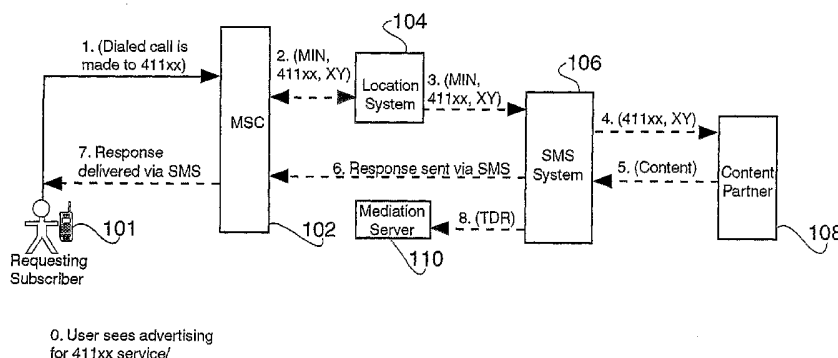
Published:
— with international search report
— before the expiration of the time limit for amending the claims and to be republished in the event of receipt of amendments

(88) Date of publication of the international search report:
1 December 2005

(81) Designated States (unless otherwise indicated, for every kind of national protection available): AE, AG, AL, AM,

For two-letter codes and other abbreviations, refer to the "Guidance Notes on Codes and Abbreviations" appearing at the beginning of each regular issue of the PCT Gazette.

(54) Title: WIRELESS NETWORK LOCATION-BASED REFERENCE INFORMATION



(57) Abstract: The present invention provides a '411xx' value added service to wireless users. The disclosed '411xx' service allows a mobile user who may be unfamiliar with their current geographic location to nevertheless obtain quick, accurate, and current information relating to the geographic area, e.g., different services in their current location, stores, libraries, gas stations, etc., via a mobile terminated (MT) short message system (SMS) message. In addition to the traditional '4-1-1' dialed digits, a mobile user would also dial a number (or numbers) representing a feature code for a particular service, e.g., nearby ATMs, or traffic information. Upon receiving a 411xx call, the MSC generates an ORREQ/TCAP trigger based on a translation of the requested service represented by the extra 'xx' digits. The 411xx call is terminated on the MSC after an audible whisper notice plays to the caller, e.g., "thank you for calling, your requested information will be sent momentarily".

WO 2005/011301 A3

INTERNATIONAL SEARCH REPORT

International application No.

PCT/US04/23339

A. CLASSIFICATION OF SUBJECT MATTER

IPC(7) : H04K 3/00
US CL : 455/1

According to International Patent Classification (IPC) or to both national classification and IPC

B. FIELDS SEARCHED

Minimum documentation searched (classification system followed by classification symbols)
U.S. : 455/1

Documentation searched other than minimum documentation to the extent that such documents are included in the fields searched

Electronic data base consulted during the international search (name of data base and, where practicable, search terms used)
Please See Continuation Sheet

C. DOCUMENTS CONSIDERED TO BE RELEVANT

Category *	Citation of document, with indication, where appropriate, of the relevant passages	Relevant to claim No.
Y	US 6,560,456 B1 (LOHTIA et al) 06 May 2003 (06.05.2003)	1-6, 7-16 and 17-19
Y	US 6,456,852 B2 (BAR et al) 24 September 2002 (24.09.2002)	1-6, 7-16, 17-19
Y, E	US 2004/0203922 A1 (HINES et al) 14 October 2004 (14.10.2004)	6, 16
A	US 2004/0092250 A1 (VALLOPILLIL) 13 May 2004 (13.05.2004)	1-19
A	US 2003/0100320 A1 (RANJAN) 29 May 2003 (29.05.2003)	1-19
A, E	US 2004/0235493 A1 (EKERBORN) 25 November 2004 (25.11.2004)	1-19

Further documents are listed in the continuation of Box C. See patent family annex.

* Special categories of cited documents:	
"A" document defining the general state of the art which is not considered to be of particular relevance	"T" later document published after the international filing date or priority date and not in conflict with the application but cited to understand the principle or theory underlying the invention
"E" earlier application or patent published on or after the international filing date	"X" document of particular relevance; the claimed invention cannot be considered novel or cannot be considered to involve an inventive step when the document is taken alone
"L" document which may throw doubts on priority claim(s) or which is cited to establish the publication date of another citation or other special reason (as specified)	"Y" document of particular relevance; the claimed invention cannot be considered to involve an inventive step when the document is combined with one or more other such documents, such combination being obvious to a person skilled in the art
"O" document referring to an oral disclosure, use, exhibition or other means	"&" document member of the same patent family
"P" document published prior to the international filing date but later than the priority date claimed	

Date of the actual completion of the international search: 15 September 2005 (15.09.2005)
Date of mailing of the international search report: 18 OCT 2005

Name and mailing address of the ISA/US:
Mail Stop PCT, Attn: ISA/US
Commissioner for Patents
P.O. Box 1450
Alexandria, Virginia 22313-1450
Facsimile No. (703) 305-3230

Authorized officer: Ken Wieder
Telephone No. 571-272-2600

INTERNATIONAL SEARCH REPORT

International application No.

PCT/US04/23339

Continuation of B. FIELDS SEARCHED Item 3:

US-PGPUB, USPAT, USOCR, EPO, JPO, IBM_TDB: telephone number, auxilliary digit, extension code, location, text message, directory, location based, service, services,