



US00D719901S

(12) **United States Design Patent**  
**Krusinski et al.**

(10) **Patent No.:** **US D719,901 S**

(45) **Date of Patent:** **\*\* Dec. 23, 2014**

- (54) **BIKE RACK FOR A VEHICLE**
- (71) Applicant: **Cequent Consumer Products, Inc.**,  
Solon, OH (US)
- (72) Inventors: **Scott Theodore Krusinski**, Hudson, OH  
(US); **Gail Suscheck Metcalfe**, Solon,  
OH (US)
- (73) Assignee: **Cequent Consumer Products, Inc.**,  
Solon, OH (US)
- (\*\*) Term: **14 Years**

5,056,700	A *	10/1991	Blackburn et al.	224/324
D329,035	S *	9/1992	Blackburn et al.	D12/408
5,195,670	A *	3/1993	Piretti et al.	224/321
5,645,202	A *	7/1997	Kaloustian	224/314
5,738,259	A *	4/1998	Allen	224/493
D412,482	S *	8/1999	Chen	D12/408
6,000,593	A *	12/1999	Chimenti	224/504
D447,997	S *	9/2001	Ferman et al.	D12/408
6,345,748	B1 *	2/2002	Chimenti et al.	224/324
6,422,443	B1 *	7/2002	Erickson et al.	224/532
D630,573	S	1/2011	Pedrini	
D669,016	S *	10/2012	Pozzi	D12/408
D671,883	S *	12/2012	Farber	D12/408
2005/0258209	A1 *	11/2005	Wang	224/500
2007/0023367	A1 *	2/2007	Chung	211/20
2012/0091180	A1	4/2012	Allen et al.	

- (21) Appl. No.: **29/454,490**
- (22) Filed: **May 10, 2013**
- (51) **LOC (10) Cl.** ..... **12-16**
- (52) **U.S. Cl.**  
USPC ..... **D12/408**
- (58) **Field of Classification Search**  
USPC ..... D12/408, 407, 406, 414.1, 420, 115;  
224/403, 520, 532, 324, 501, 518, 533,  
224/492, 493, 495, 500, 924, 497, 502, 510,  
224/321, 329, 503, 523, 537, 513, 519, 314,  
224/318, 325, 326, 509, 315, 319, 309, 514,  
224/499, 516, 571, 572, 504, 323, 322;  
24/68 CD, 301; 211/20, 17, 4, 22, 5, 21,  
211/198, 200; 248/164; 362/549; D8/356;  
D6/716.3; 16/324, 329; 340/432, 5.9,  
340/543, 568.1; 194/205, 247, 902;  
235/381, 382; 70/233, 57, 235  
See application file for complete search history.

\* cited by examiner

*Primary Examiner* — Eric Goodman  
*Assistant Examiner* — Ryan Harvey  
 (74) *Attorney, Agent, or Firm* — McDonald Hopkins LLC

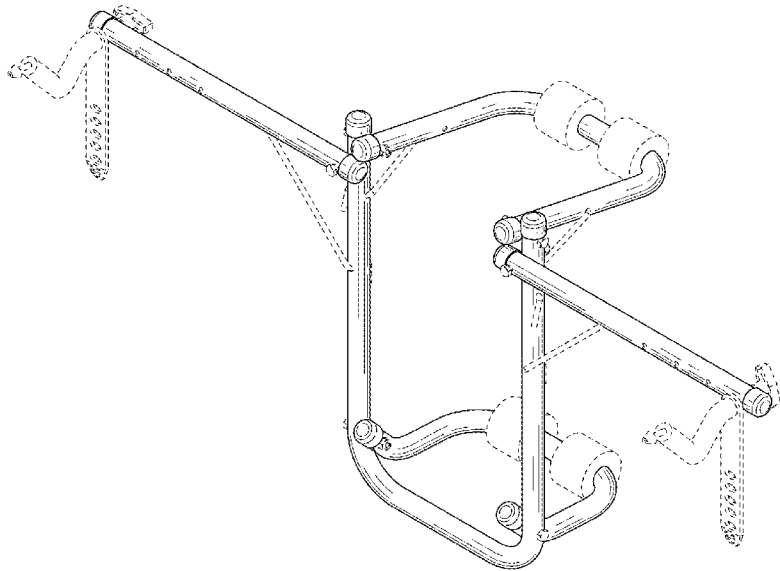
(57) **CLAIM**  
 The ornamental design for a bike rack for a vehicle, as shown and described.

**DESCRIPTION**

FIG. 1 is a perspective view of a bike rack for a vehicle showing our new design;  
 FIG. 2 is a front view thereof;  
 FIG. 3 is a rear view thereof;  
 FIG. 4 is a first side view thereof;  
 FIG. 5 is a second side view thereof;  
 FIG. 6 is a top view thereof; and,  
 FIG. 7 is a bottom view thereof.  
 The broken lines in the figures are included for the purpose of illustrating portions of a bike rack and form no part of the claimed design.

- (56) **References Cited**  
 U.S. PATENT DOCUMENTS  
 4,332,337 A \* 6/1982 Kosecoff ..... 224/493  
 4,428,516 A \* 1/1984 Allen ..... 224/314

**1 Claim, 4 Drawing Sheets**



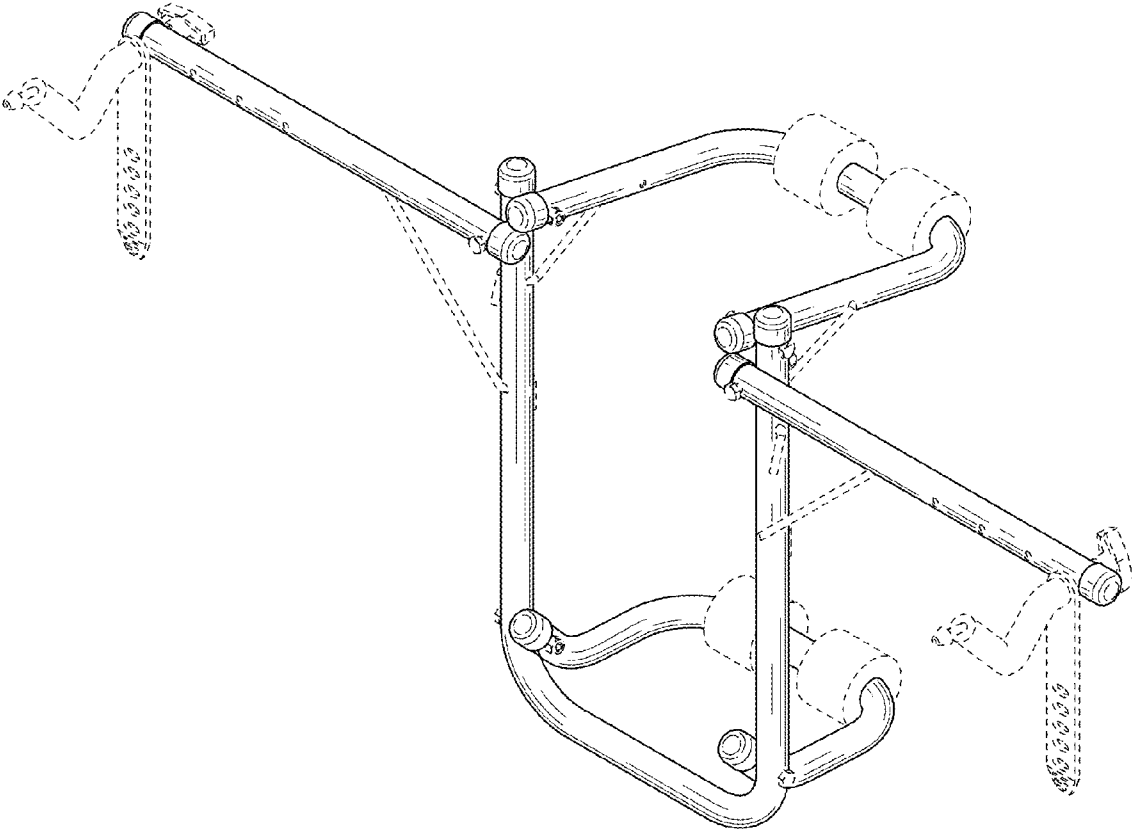


FIG. 1

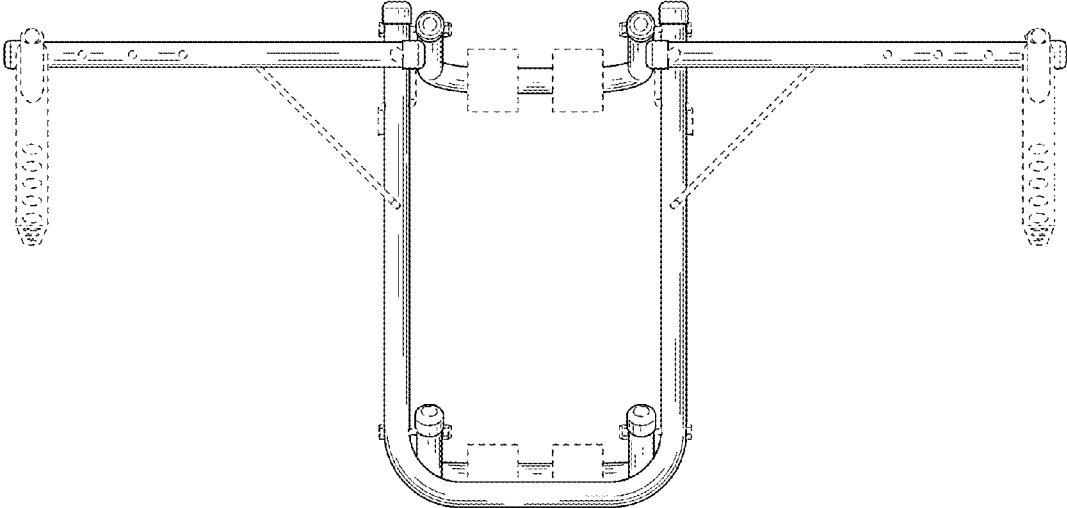


FIG. 2

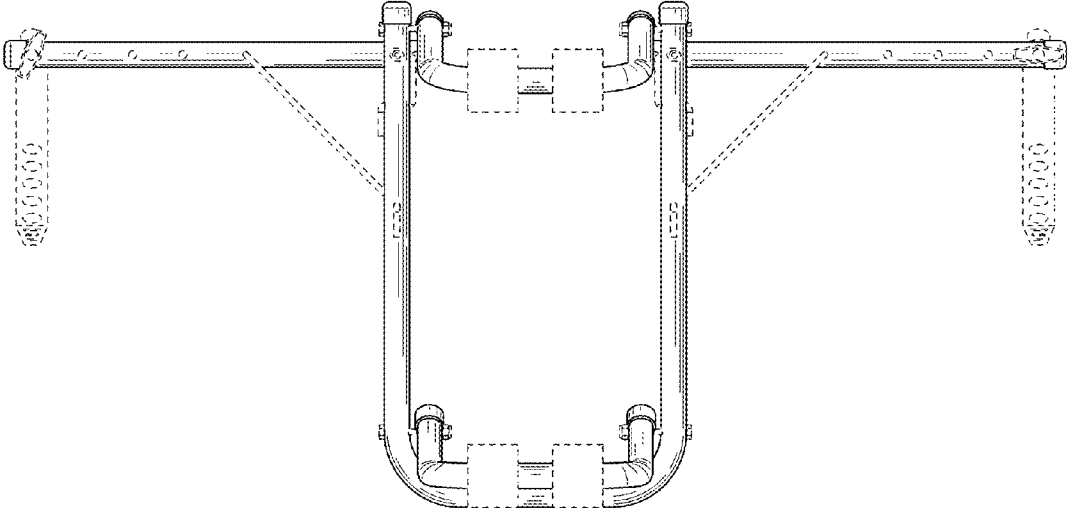


FIG. 3

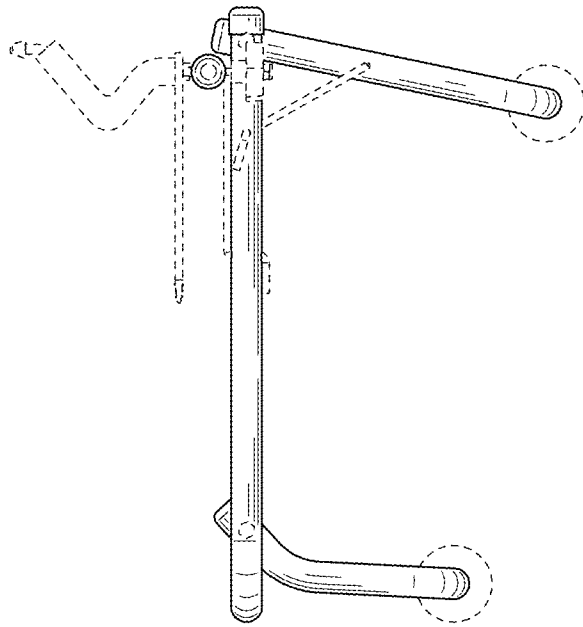


FIG. 4

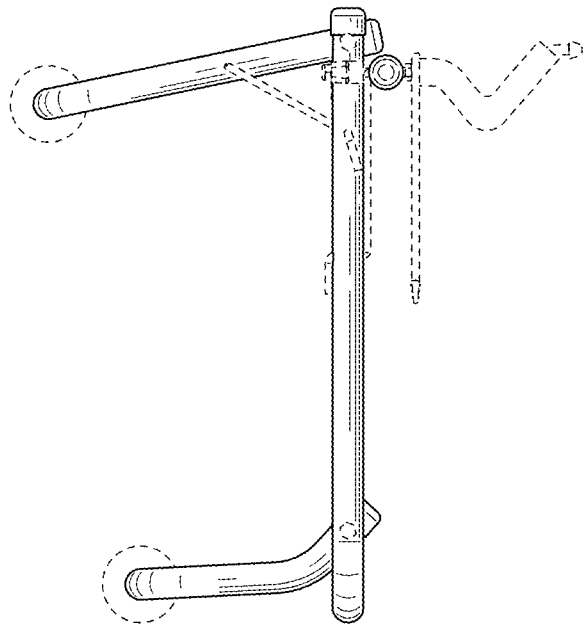


FIG. 5

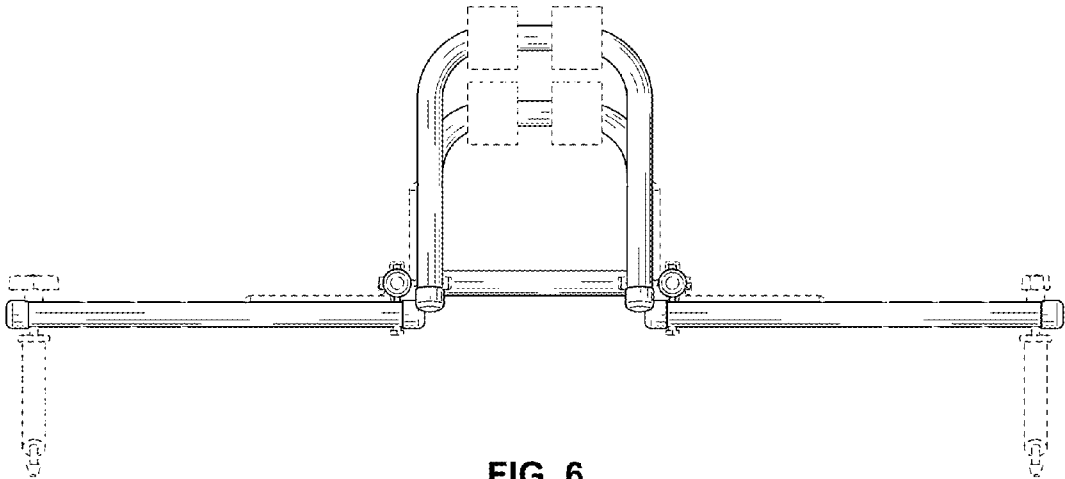


FIG. 6

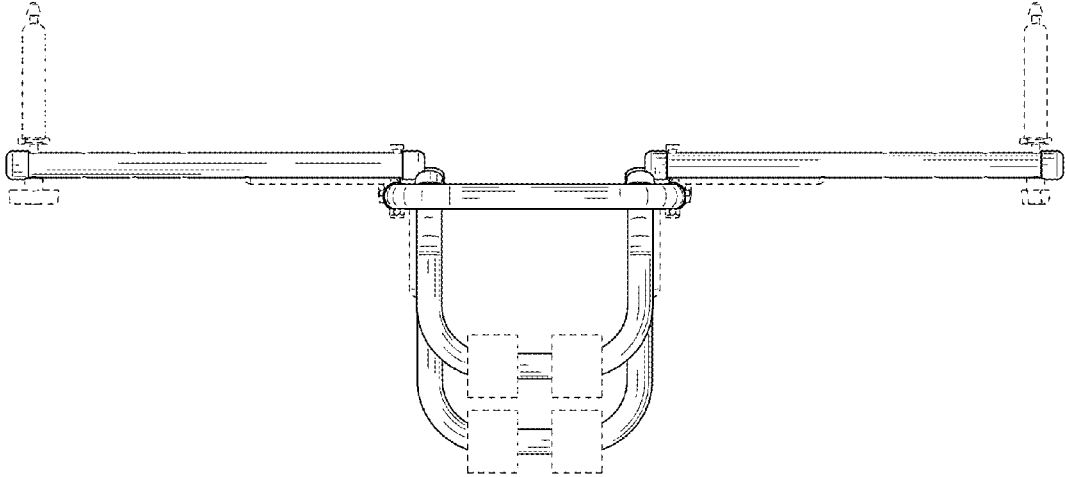


FIG. 7