



US00D542004S

(12) **United States Design Patent**  
**Righi**

(10) **Patent No.:** **US D542,004 S**

(45) **Date of Patent:** **\*\* May 1, 2007**

(54) **LIFT TRUCK**

(75) Inventor: **Vanni Righi**, Correggio (IT)

(73) Assignee: **Cesab Carrelli Elevatori S.p.A.**,  
Bologna (IT)

(\*\*) Term: **14 Years**

(21) Appl. No.: **29/256,407**

(22) Filed: **Mar. 21, 2006**

(30) **Foreign Application Priority Data**

Sep. 22, 2005 (EM) ..... 000404660

(51) **LOC (8) Cl.** ..... **12-05**

(52) **U.S. Cl.** ..... **D34/34**

(58) **Field of Classification Search** ..... D34/34;  
414/572, 592; 180/98.12, 89.13, 89.17; 187/222,  
187/237

See application file for complete search history.

(56) **References Cited**

**U.S. PATENT DOCUMENTS**

D353,931 S	*	12/1994	Kobayakawa et al.	.....	D34/34
D361,645 S	*	8/1995	Heiler	.....	D34/34
D362,099 S	*	9/1995	Heiler	.....	D34/34
D374,752 S	*	10/1996	Lee et al.	.....	D34/34

D376,242 S	*	12/1996	Jung et al.	.....	D34/34
D389,981 S	*	1/1998	Donaldson	.....	D34/34
D395,115 S	*	6/1998	Russey et al.	.....	D34/34
D411,681 S	*	6/1999	Murakami et al.	.....	D34/34
D412,385 S	*	7/1999	Murakami et al.	.....	D34/34
D432,753 S	*	10/2000	Braud	.....	D34/34
D441,936 S	*	5/2001	Brandt et al.	.....	D34/28
D448,136 S	*	9/2001	Yurushi et al.	.....	D34/34
D469,236 S	*	1/2003	Mitsuyoshi et al.	.....	D34/34

\* cited by examiner

*Primary Examiner*—Cynthia E. Ramirez

(74) *Attorney, Agent, or Firm*—Nixon & Vanderhye P.C.

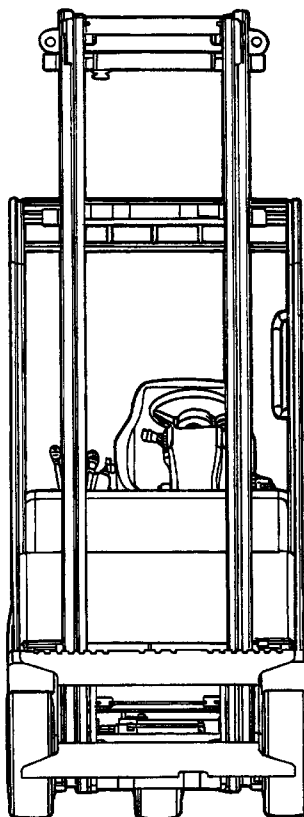
(57) **CLAIM**

The ornamental design for a “lift truck,” as shown and described.

**DESCRIPTION**

FIG. 1 is a front view of a lift truck of my design;  
 FIG. 2 is a left-side view;  
 FIG. 3 is a rear top perspective view;  
 FIG. 4 is a front top perspective view;  
 FIG. 5 is a rear view;  
 FIG. 6 is a right-side view;  
 FIG. 7 is an enlarged top view; and,  
 FIG. 8 is an enlarged bottom view.

**1 Claim, 8 Drawing Sheets**



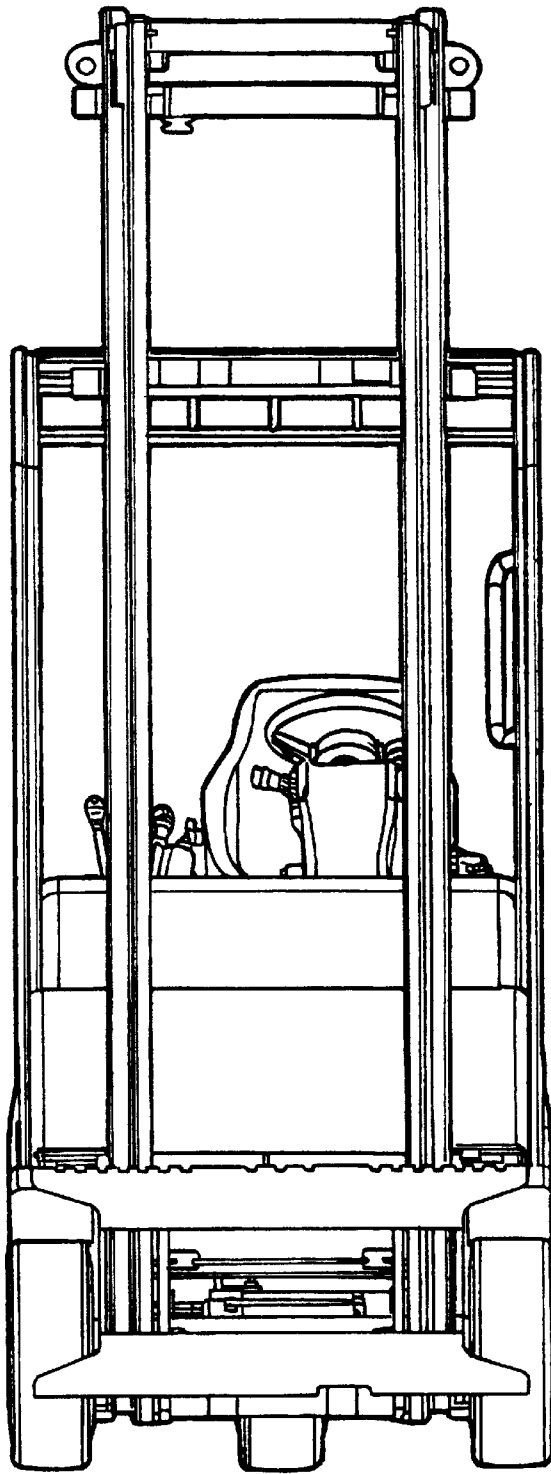


Fig. 1

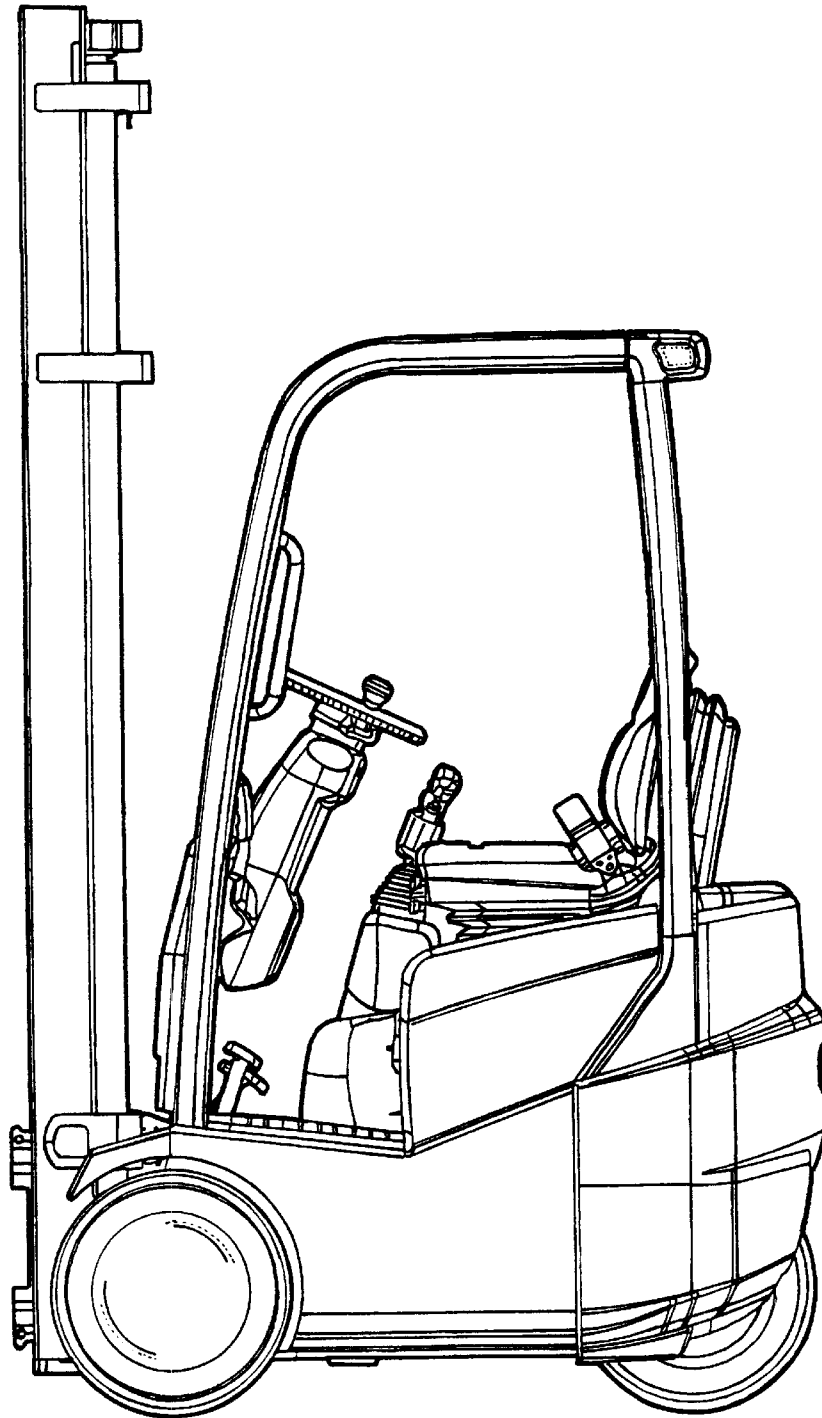


Fig. 2

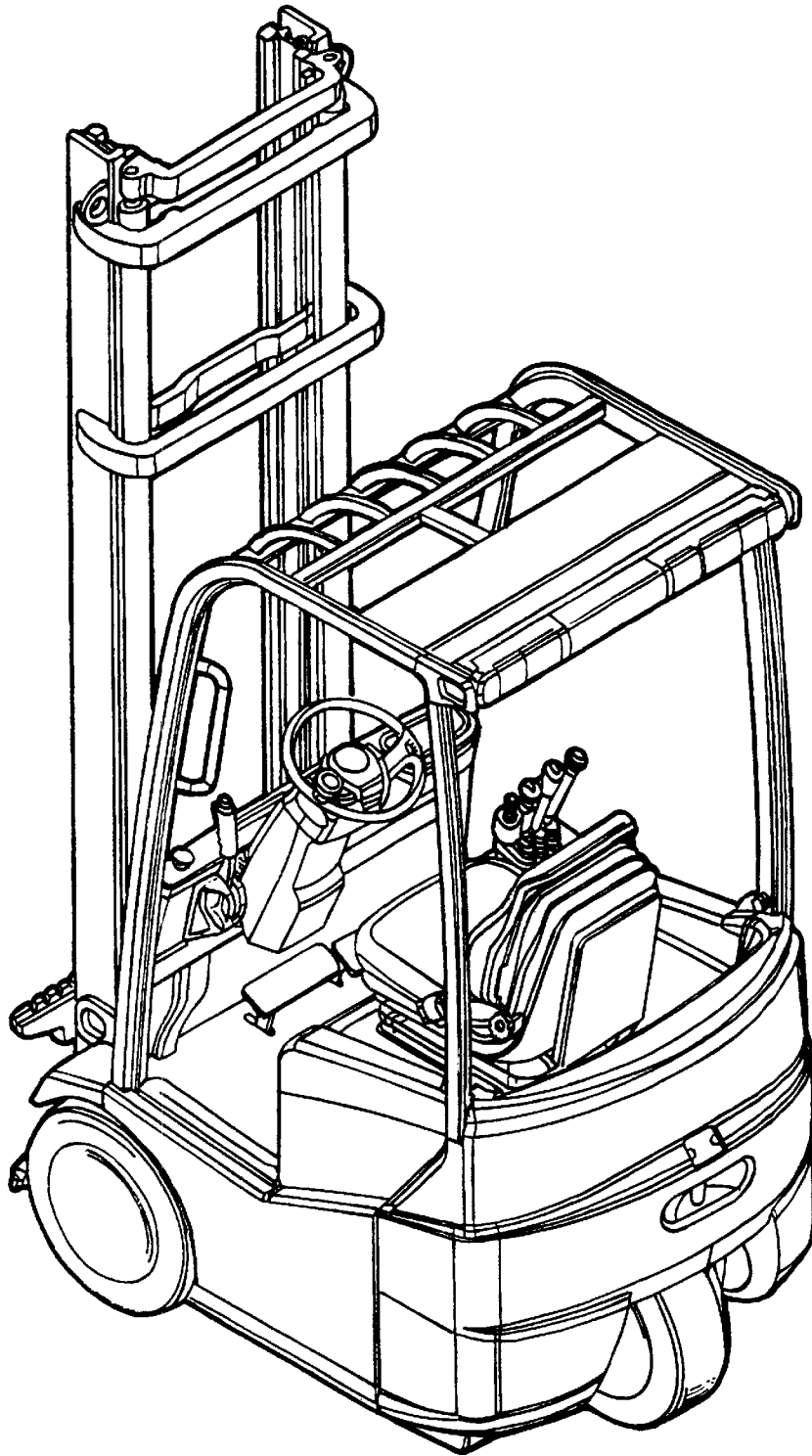


Fig. 3

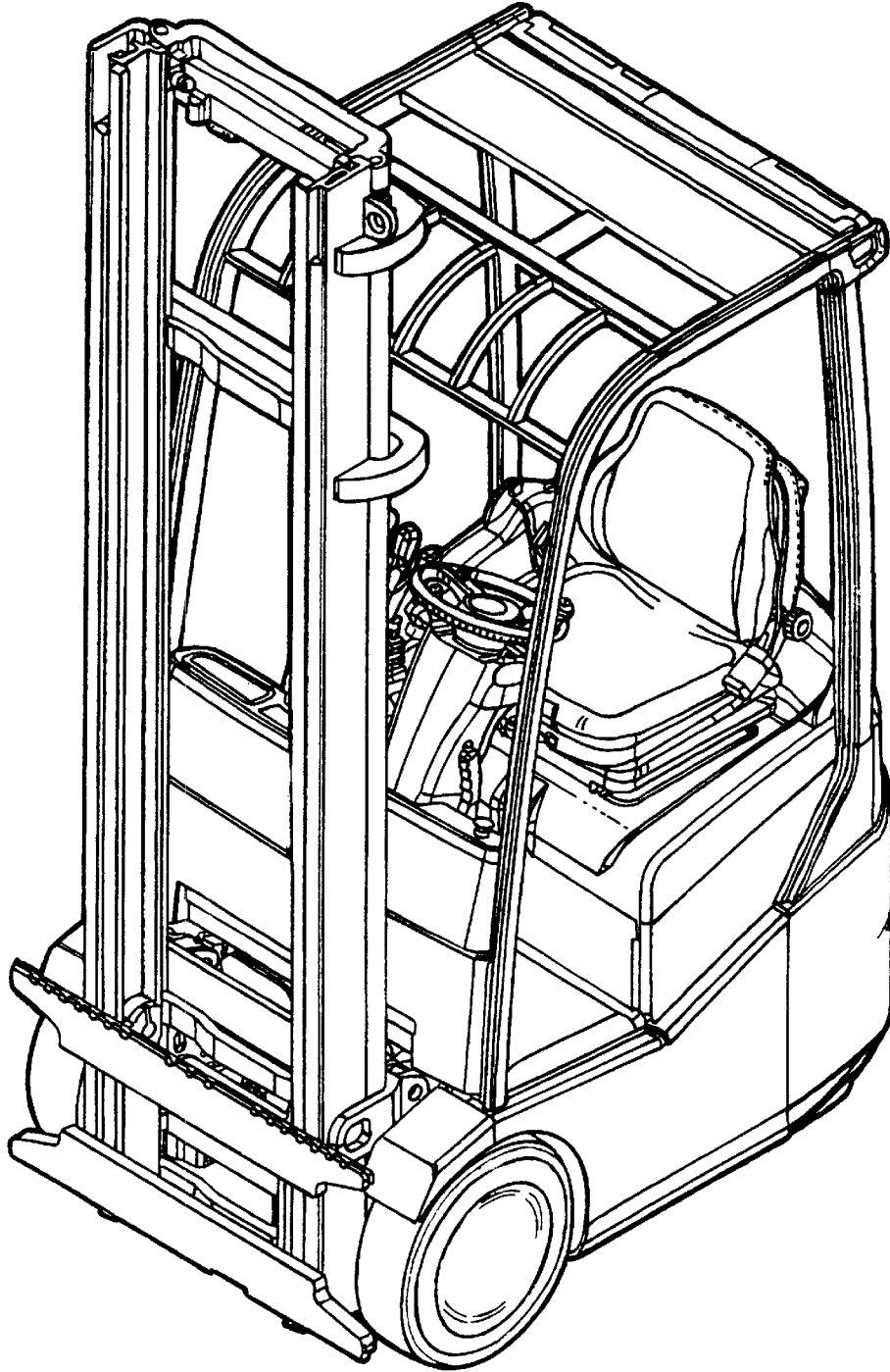


Fig. 4

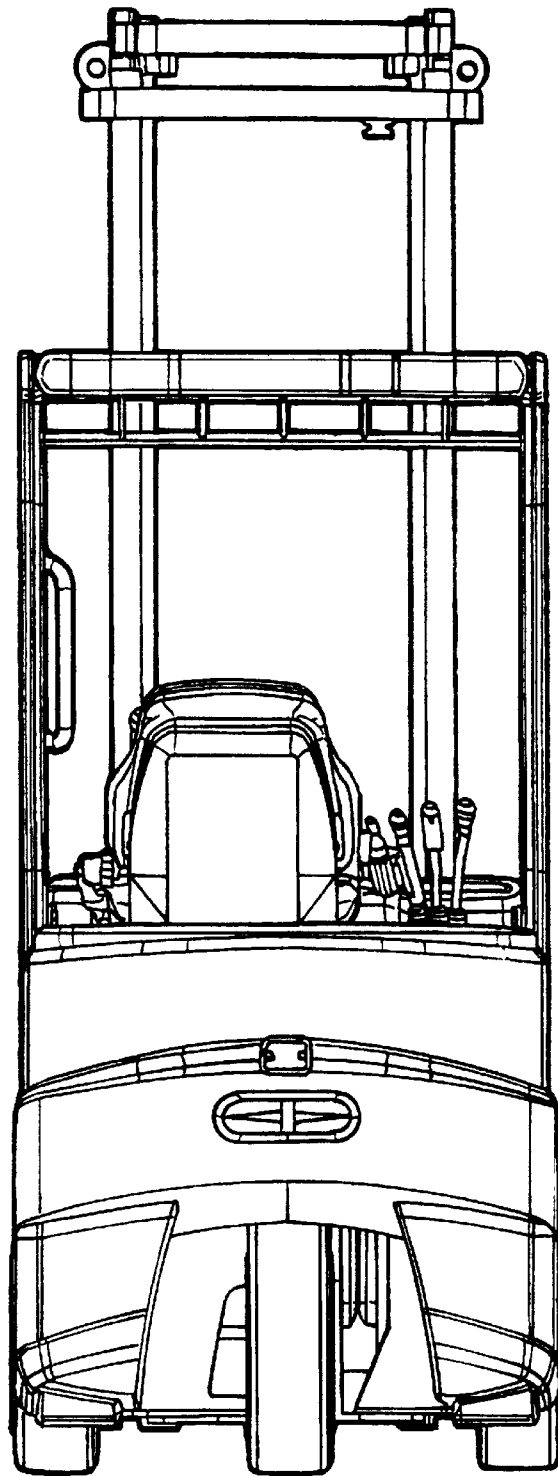


Fig. 5

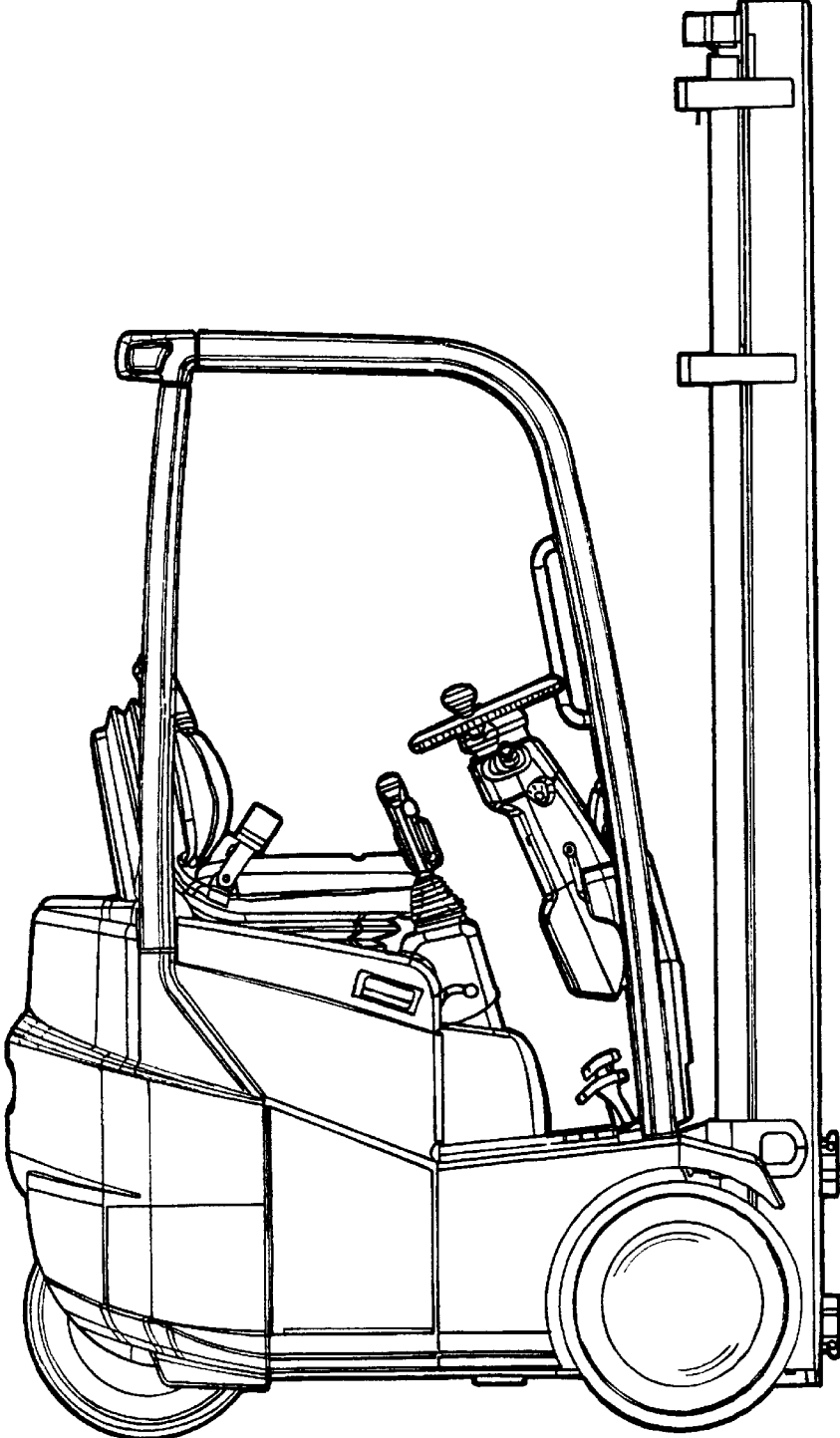


Fig. 6

Fig. 7

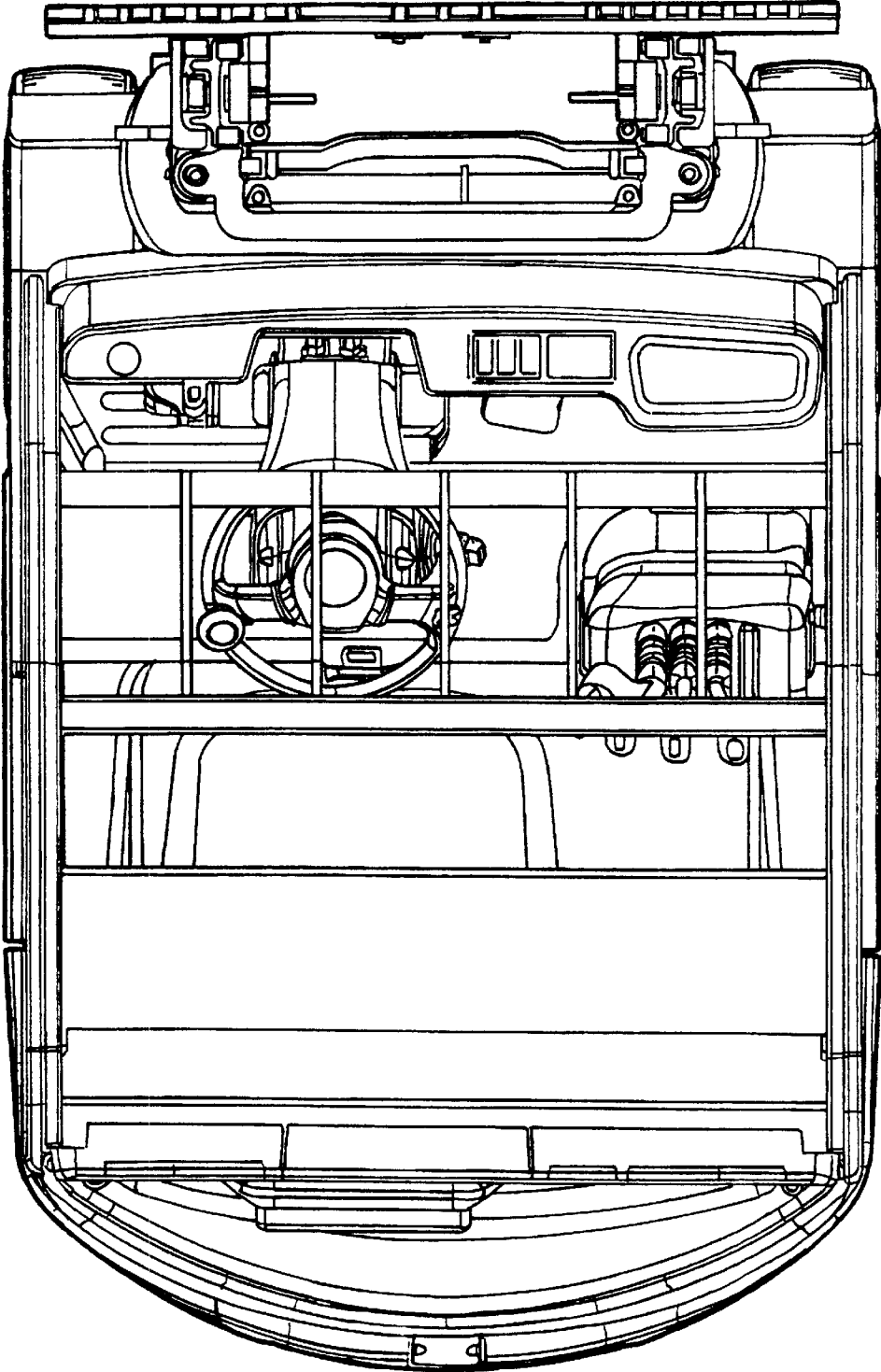


Fig. 8

