



US0D1073643S

(12) **United States Design Patent**
Yang

(10) **Patent No.:** **US D1,073,643 S**

(45) **Date of Patent:** **** May 6, 2025**

(54) **AUDIO**

(71) Applicant: **Shenzhen Zero One Innovation Technology Co., Ltd**, Shenzhen (CN)

(72) Inventor: **Bing Yang**, Shenzhen (CN)

(73) Assignee: **Shenzhen Zero One Innovation Technology Co., Ltd**, Shenzhen (CN)

(**) Term: **15 Years**

(21) Appl. No.: **29/879,013**

(22) Filed: **Jun. 30, 2023**

(30) **Foreign Application Priority Data**

Jun. 16, 2023 (CN) 202330372655.1

(51) **LOC (15) Cl.** **14-01**

(52) **U.S. Cl.**
USPC **D14/204**

(58) **Field of Classification Search**

USPC D14/155, 167, 168, 170-172, 188, 193, D14/194, 197, 198, 204, 209.1, 210-217, D14/219, 221, 222, 224, 356, 358, 363, D14/496
CPC ... H04R 9/06; H04R 1/02; H04R 1/06; H04R 1/021; H04R 1/025; H04R 1/026; H04R 1/028; H04R 1/105; H04R 1/323; H04R 1/403; H04R 1/345; H04R 1/2834; H04R 1/2888; H04R 1/2803; H04R 1/288; H04R 1/2819; H04R 2400/07; H04R 2400/11; H04R 3/12

See application file for complete search history.

(56) **References Cited**

U.S. PATENT DOCUMENTS

4,221,929 A * 9/1980 Fukuda H04R 1/025 181/175
D450,683 S * 11/2001 Vosse D14/215
D691,983 S * 10/2013 Vaughan D14/204
D744,981 S * 12/2015 Choi D14/221
D826,206 S * 8/2018 Elmieh D14/204
D836,083 S * 12/2018 Elmieh D14/204
D856,974 S * 8/2019 Kiong D14/215

* cited by examiner

Primary Examiner — Khawaja Anwar

Assistant Examiner — Megan Tiana Rakos

(74) *Attorney, Agent, or Firm* — JEEN IP LAW, LLC

(57) **CLAIM**

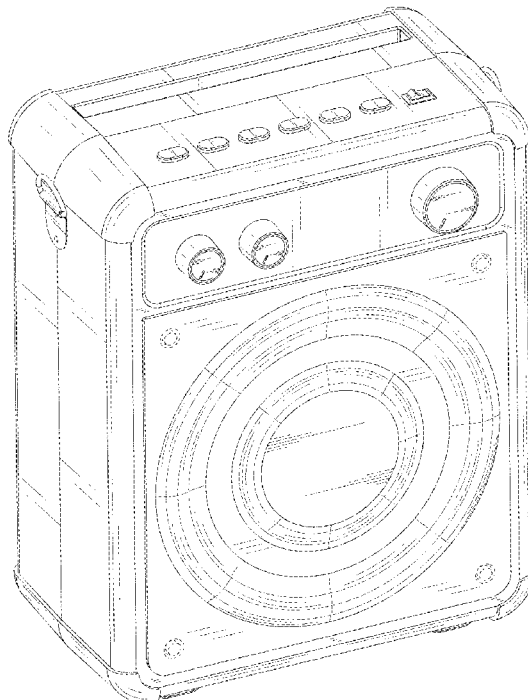
The ornamental design for an audio, as shown and described.

DESCRIPTION

FIG. 1 is a front, left and top perspective view of an audio, showing my new design;
FIG. 2 is a rear, right and bottom perspective view thereof;
FIG. 3 is a front view thereof;
FIG. 4 is a rear view thereof;
FIG. 5 is a left side view thereof;
FIG. 6 is a right side view thereof;
FIG. 7 is a top plan view thereof; and,
FIG. 8 is a bottom plan view thereof.

The broken lines shown in the drawings illustrate portions of the audio that form no part of the claimed design.

1 Claim, 8 Drawing Sheets



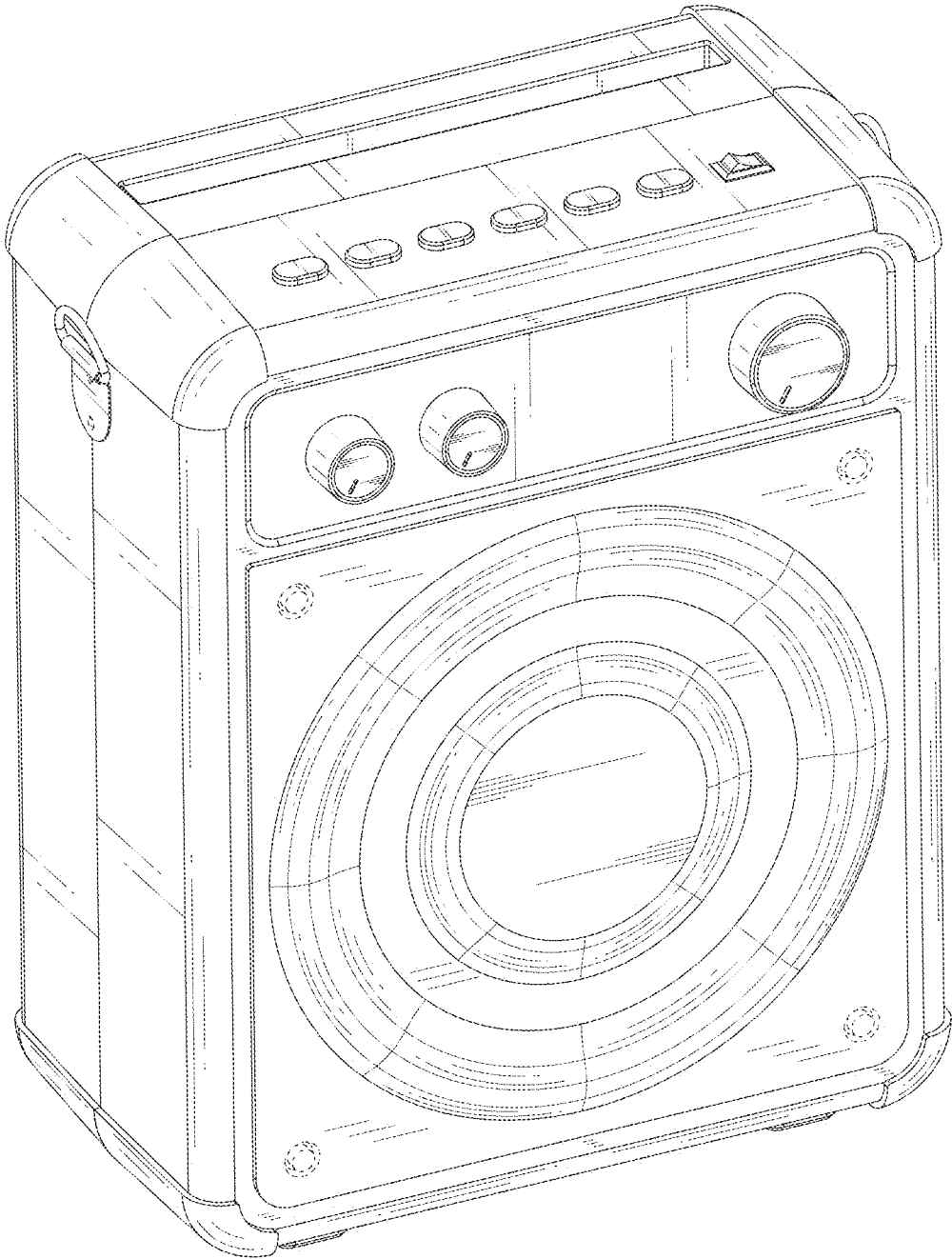


FIG. 1

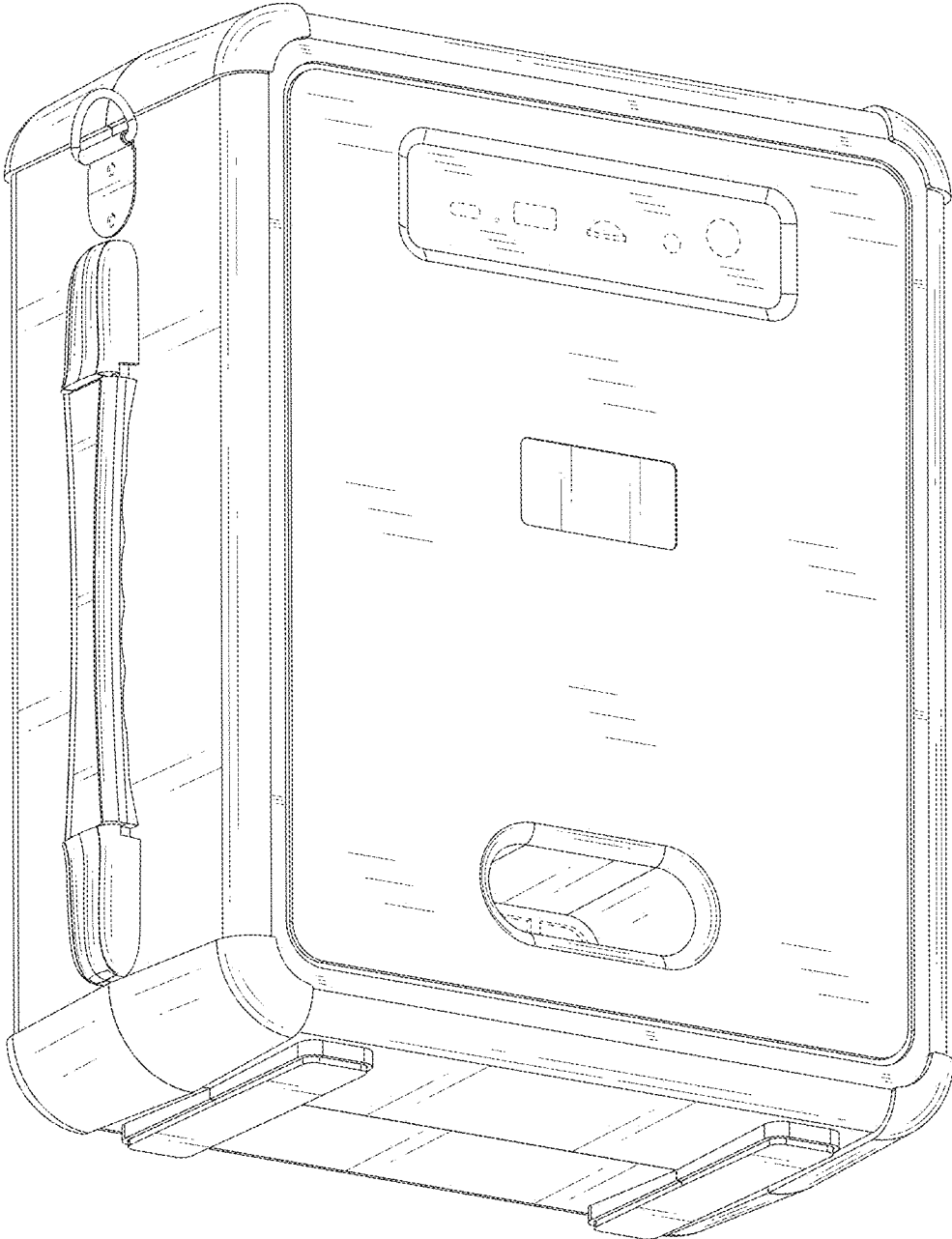


FIG. 2

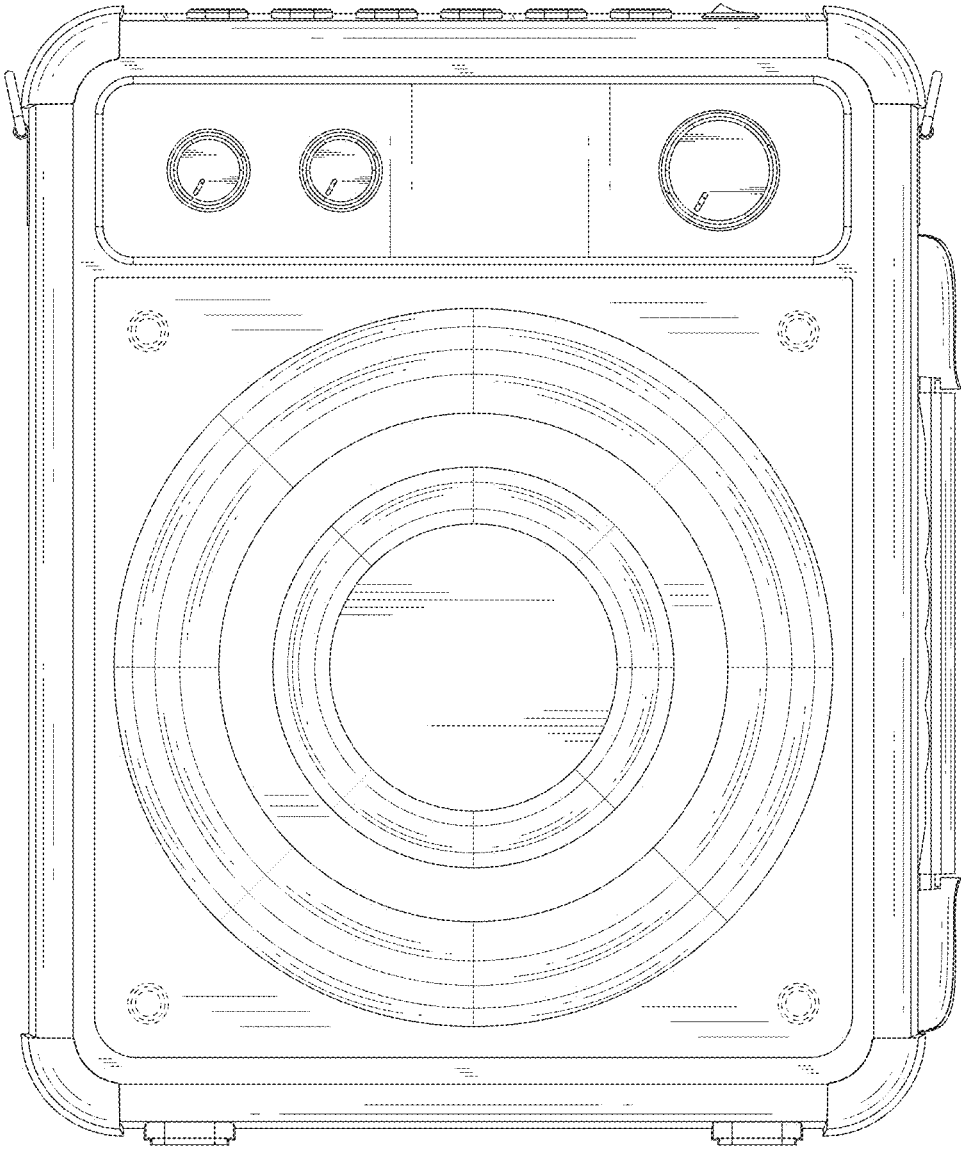


FIG. 3

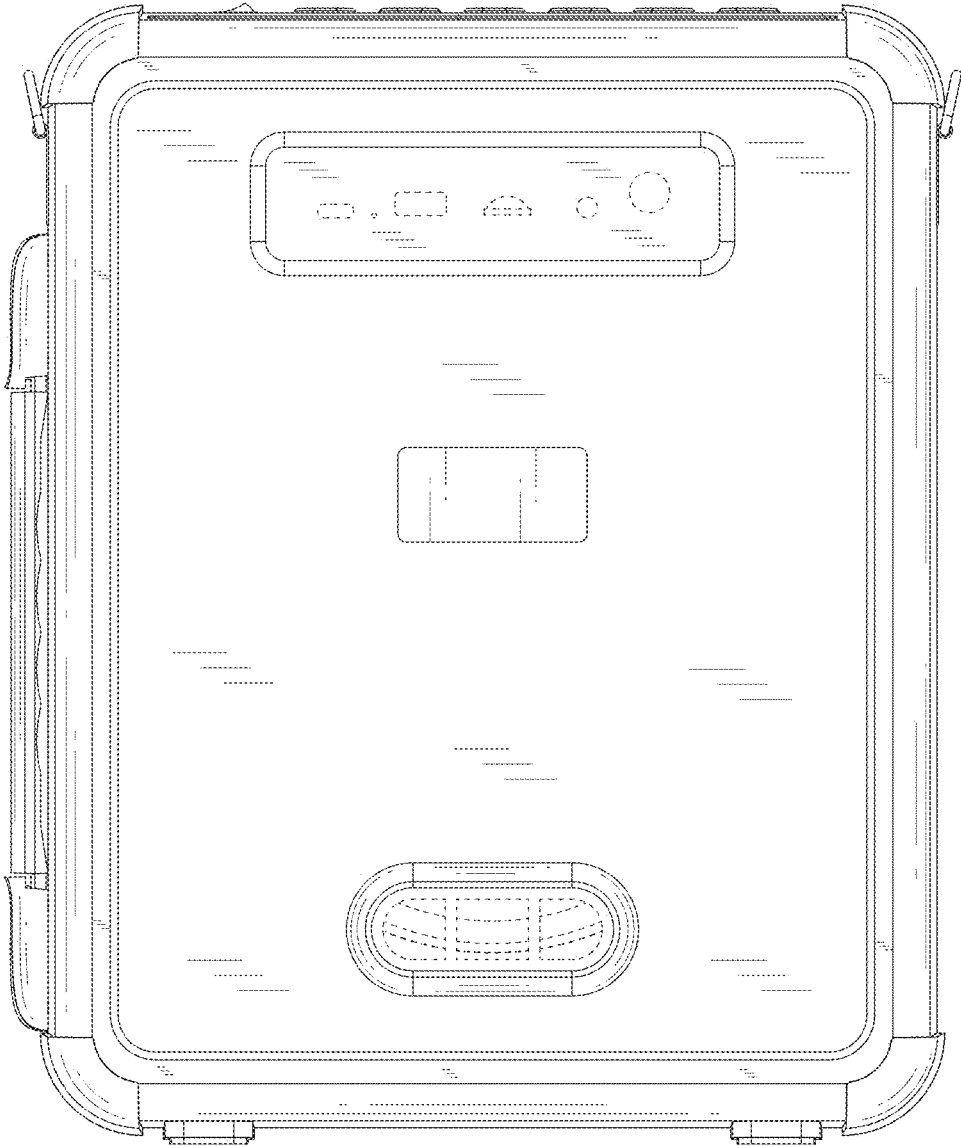


FIG. 4

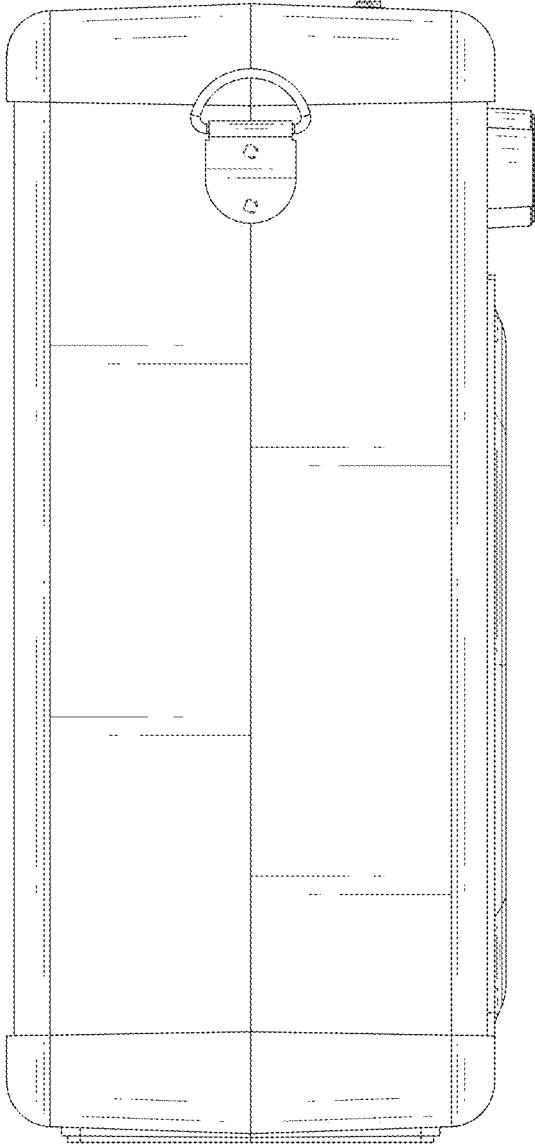


FIG. 5

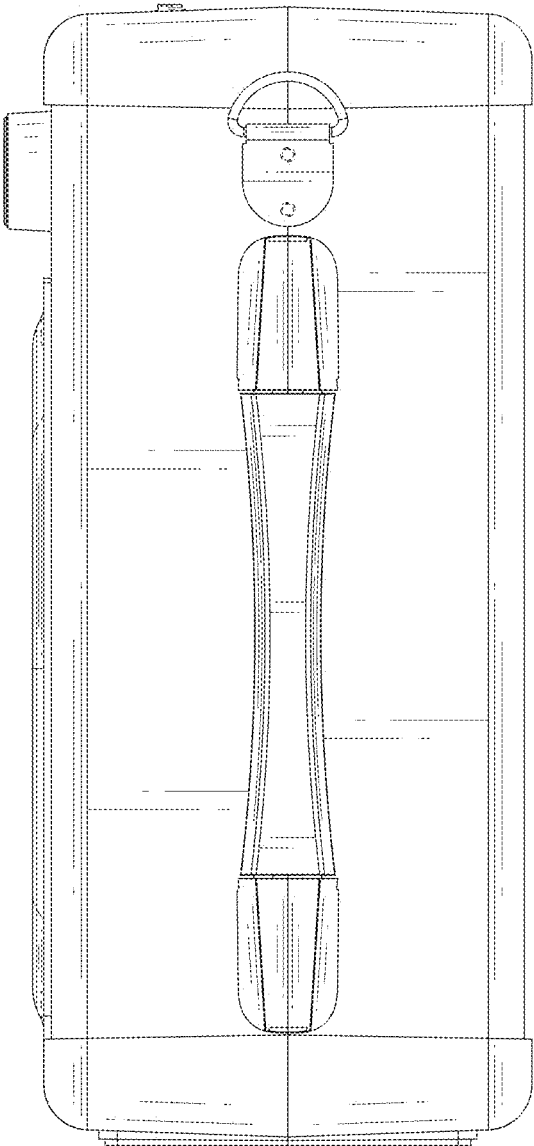


FIG. 6

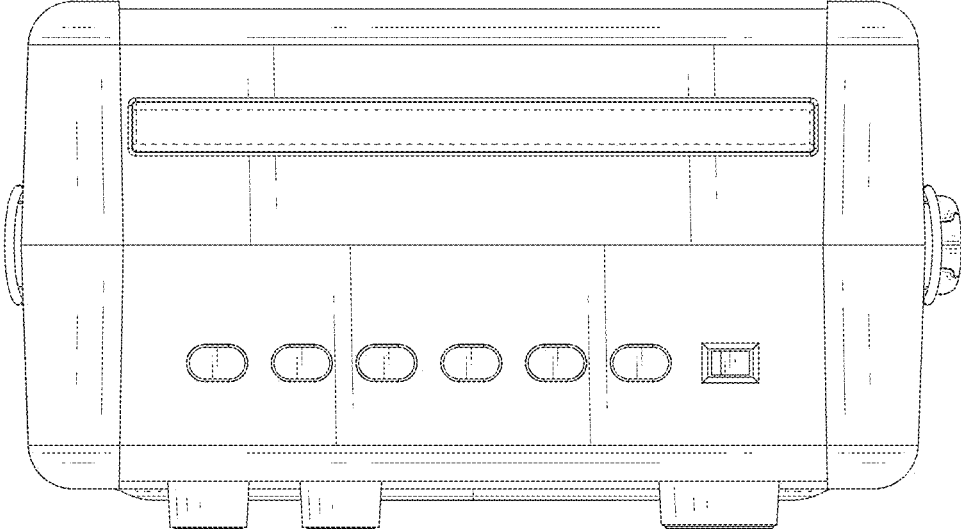


FIG. 7

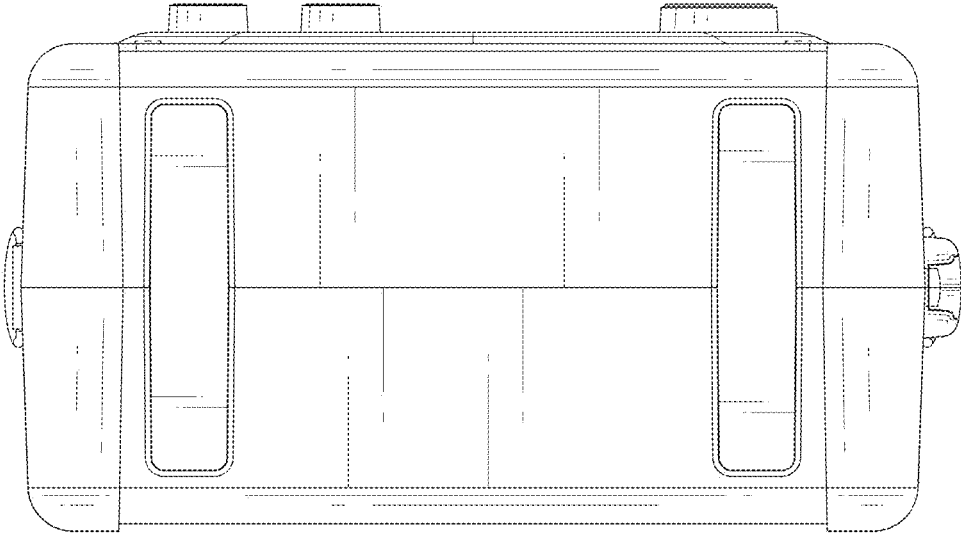


FIG. 8