



US00D749313S

(12) **United States Design Patent**
Akin et al.

(10) **Patent No.:** **US D749,313 S**

(45) **Date of Patent:** **** Feb. 16, 2016**

(54) **UMBRELLA WITH SOLAR PANELS**

(71) Applicant: **ZON**, Manhattan Beach, CA (US)

(72) Inventors: **Sarah Akin**, Manhattan Beach, CA (US); **David Johnson**, San Francisco, CA (US)

(73) Assignee: **ZON**, Manhattan Beach, CA (US)

(**) Term: **14 Years**

(21) Appl. No.: **29/467,889**

(22) Filed: **Sep. 24, 2013**

(51) **LOC (10) Cl.** **03-03**

(52) **U.S. Cl.**
USPC **D3/5; D3/10; D13/102**

(58) **Field of Classification Search**
USPC **D3/5, 10; 135/15.1, 33.2, 20.1; 320/101; D13/102**
CPC .. **A45B 23/00; A45B 3/04; A45B 2200/1018; A45B 2200/1027; H02J 7/0047; H02J 7/35**
See application file for complete search history.

7,000,624 B2 * 2/2006 Chang A45B 3/04 135/16

7,013,903 B2 3/2006 Li

D530,269 S * 10/2006 Fowler D13/102

D561,460 S * 2/2008 Peterson D3/5

7,562,667 B2 7/2009 Li

D600,200 S * 9/2009 Dimov D13/102

D668,443 S 10/2012 Sims, II

8,360,079 B2 * 1/2013 Li A45B 3/04 135/16

D680,949 S * 4/2013 Swatek D13/102

D681,548 S * 5/2013 Zhang D13/102

D688,621 S * 8/2013 Mozzardi D13/102

D701,828 S * 4/2014 Garrett-Schesch D13/102

D701,829 S * 4/2014 Garrett-Schesch D13/102

8,695,614 B2 * 4/2014 Chaimovski A45B 23/00 135/16

D724,524 S * 3/2015 Garrett-Schesch D13/102

D728,466 S * 5/2015 Ehram D13/102

9,088,181 B2 * 7/2015 Akin H02J 7/35

(Continued)

OTHER PUBLICATIONS

U.S. Appl. No. 29/467,889, Akin et al., John Windmuller.*

(Continued)

Primary Examiner — John Windmuller

(74) *Attorney, Agent, or Firm* — Aka Chan LLP

(56) **References Cited**

U.S. PATENT DOCUMENTS

1,397,789 A * 11/1921 Stonestreet A45B 19/02 135/20.2

D151,655 S * 11/1948 Preaus D25/57

D248,042 S * 5/1978 Ouelette D13/102

4,193,389 A * 3/1980 Ku F24J 2/07 126/636

4,527,721 A * 7/1985 Goldstein A45D 1/02 135/16

D336,982 S * 7/1993 Johnson D3/5

D373,465 S * 9/1996 Chipman 135/33.2

D373,467 S * 9/1996 Chipman 135/33.2

D373,468 S * 9/1996 Dubinsky D3/5

D396,741 S * 8/1998 Vitali D3/5

D443,409 S * 6/2001 Pilz D3/5

6,830,058 B2 12/2004 Li

6,923,058 B2 8/2005 Nieman et al.

(57) **CLAIM**

The ornamental design for an umbrella with solar panels, as shown and described.

DESCRIPTION

This application incorporates by reference U.S. patent application Ser. No. 29/461,658, filed Jul. 26, 2013.

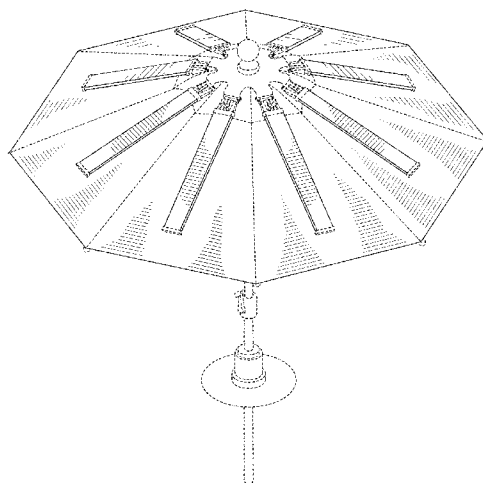
FIG. 1 shows a perspective view of a first embodiment of a design for an umbrella with solar panels.

FIG. 2 shows a top view of FIG. 1; and

FIG. 3 shows a side view of FIG. 1.

The broken lines in the figures depict portions of the umbrella with solar panels that form no part of the claimed design.

1 Claim, 3 Drawing Sheets



(56)

References Cited

OTHER PUBLICATIONS

U.S. PATENT DOCUMENTS

2005/0161067 A1 * 7/2005 Hollins A45B 23/00
135/16
2009/0058354 A1 * 3/2009 Harrison A45B 3/00
320/101

U.S. Appl. No. 29/467,889, John Windmuller.*
Solar Powered Umbrella with USB Ports Product Reference, Apr. 5,
2013, 17 pages.

* cited by examiner

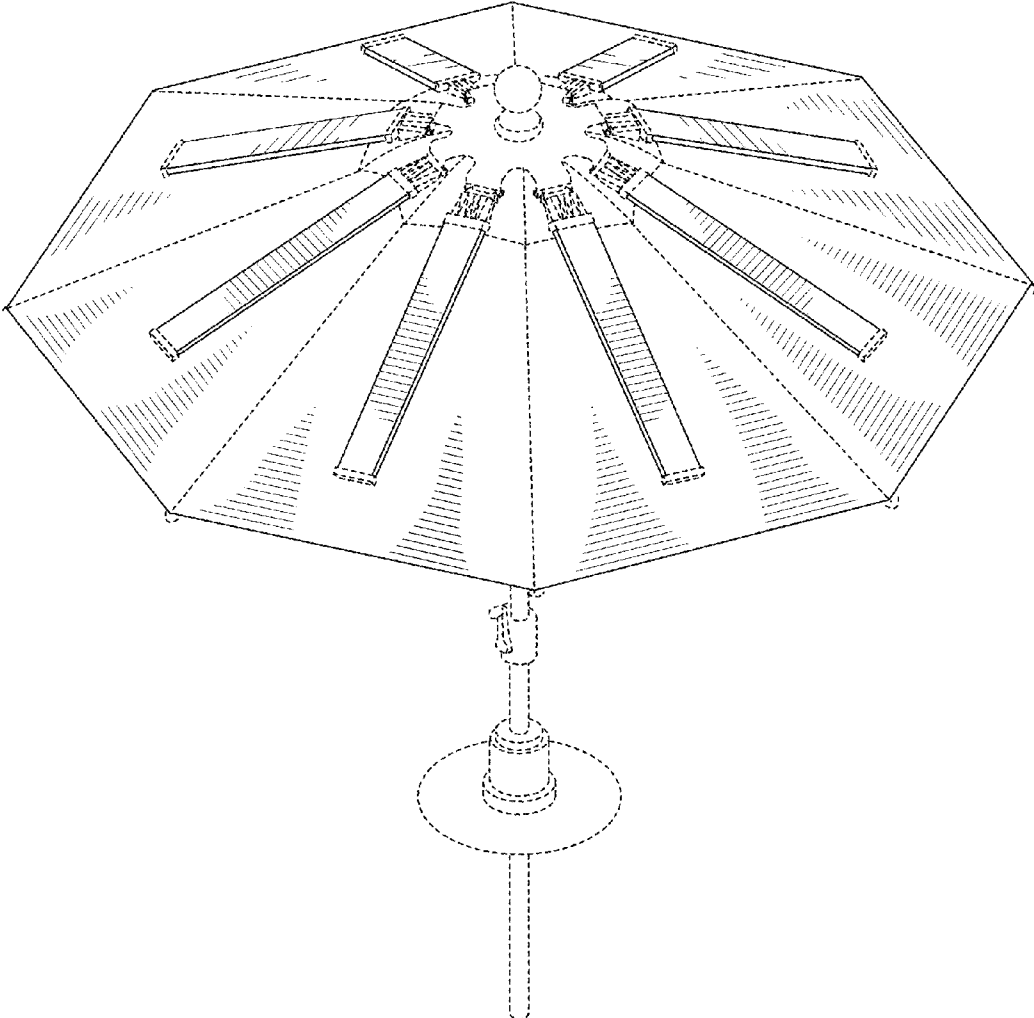


FIG. 1

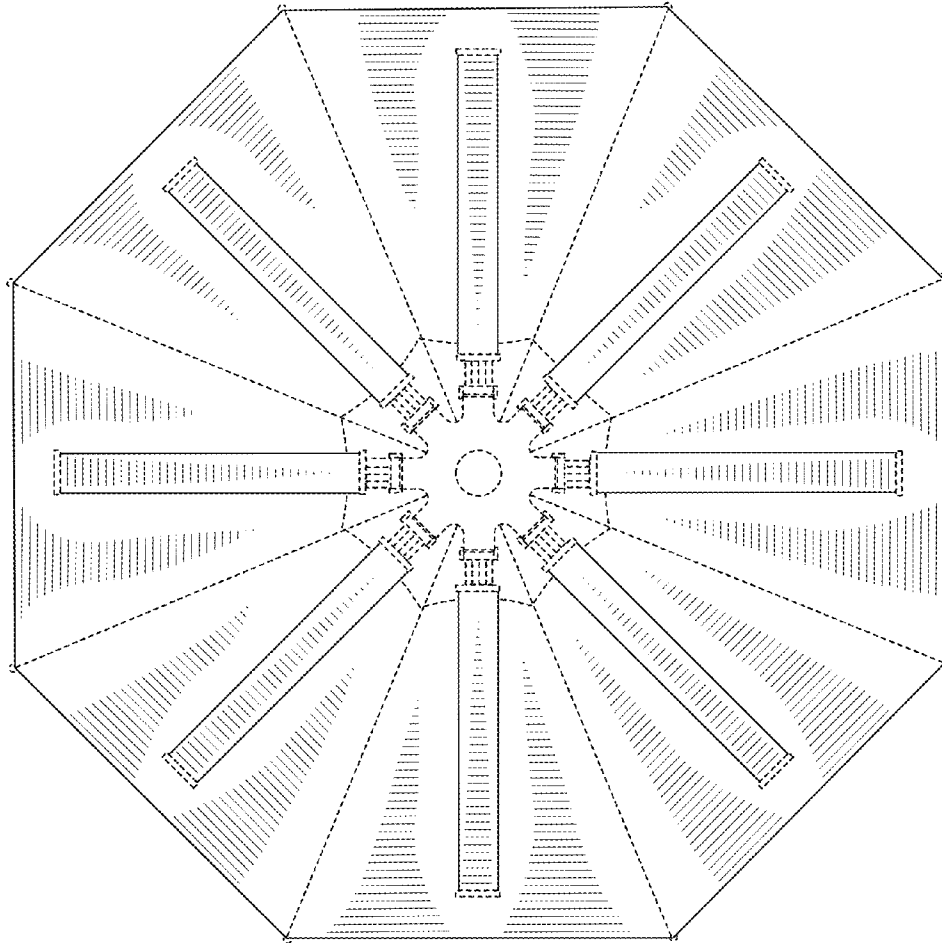


FIG. 2

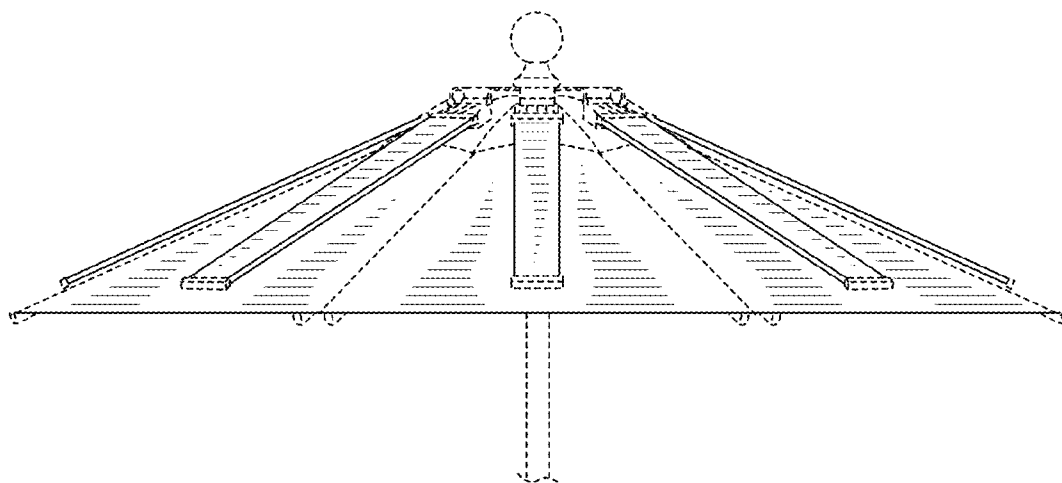


FIG. 3