



US00D828766S

(12) **United States Design Patent**  
**Latour et al.**

(10) **Patent No.:** **US D828,766 S**  
(45) **Date of Patent:** **\*\* Sep. 18, 2018**

(54) **PRODUCT PACKAGING FOR A YOGURT CUP PRODUCT**

FOREIGN PATENT DOCUMENTS

(71) Applicant: **Chobani LLC**, Norwich, NY (US)

CA 152136 \* 7/2013

(72) Inventors: **Jean-Yves Latour**, Utica, NY (US);  
**Christopher Ryan**, Fairfield, CT (US);  
**Niel Sanford**, Warwick, NY (US)

OTHER PUBLICATIONS

(73) Assignee: **Chobani LLC**, Norwich, NY (US)

Mott's Applesauce Only \$0.99 at Target. Online, published date Feb. 5, 2015. Retrieved on May 16, 2018 from URL: <http://mymmommataughtme.com/motts-applesauce-only-0-99-at-target/>.  
Chobani moves beyond Greek with Smooth launch: 'We're a yogurt company, not a Greek yogurt company'. Online, published date Jul. 6, 2017 from URL: [https://www.foodnavigator-usa.com/Article/2017/06/28/Chobani-moves-beyond-Greek-with-Smooth-classic-launch?utm\\_source=copyright&utm\\_medium=OnSite&utm\\_campaign=copyright](https://www.foodnavigator-usa.com/Article/2017/06/28/Chobani-moves-beyond-Greek-with-Smooth-classic-launch?utm_source=copyright&utm_medium=OnSite&utm_campaign=copyright).

(\*\*) Term: **15 Years**

(Continued)

(21) Appl. No.: **29/606,212**

(22) Filed: **Jun. 2, 2017**

*Primary Examiner* — Karen S Acker

*Assistant Examiner* — Omeed Agilee

(51) **LOC (11) Cl.** ..... **09-05**

(52) **U.S. Cl.**

USPC ..... **D9/711**; D9/433

(58) **Field of Classification Search**

USPC ..... D9/414-434, 442-445, 456, 457, 542,  
D9/563, 600, 614-624, 661-664, 648,  
D9/655, 657, 658, 685, 696, 697-699,  
D9/707, 711, 754, 759, 772-776;  
D3/273, 276, 304, 309-313; D7/601,  
D7/602, 709

CPC ..... B65D 5/00; B65D 5/001; B65D 5/0015;  
B65D 5/0227-5/0254; B65D 5/18; B65D  
5/38; B65D 5/40; B65D 5/2033; B65D  
1/22; B65D 1/24; B65D 1/34; B65B 5/06

See application file for complete search history.

(74) *Attorney, Agent, or Firm* — Wood Herron & Evans LLP

(57) **CLAIM**

The ornamental design for a product packaging for a yogurt cup product, as shown and described.

**DESCRIPTION**

FIG. 1 is a front perspective view of a product packaging for a yogurt cup product assembled in a condition of use.  
FIG. 2 is a front elevation view thereof.  
FIG. 3 is a rear elevation view thereof.  
FIG. 4 is a left side elevation view thereof, the right side elevation view being a mirror image thereof.  
FIG. 5 is a top plan view thereof.  
FIG. 6 is a bottom plan view thereof.  
FIG. 7 is a top plan view thereof, shown before folding into the fully assembled state of FIGS. 1 through 6, the bottom view being identical.

The dash-dot-dash lines in the drawings in FIG. 7 illustrate the edges of the design as tear lines or fold lines of the product packaging for a yogurt cup product and form no part of the claimed design. The evenly spaced broken lines in the drawings depict environmental subject matter that forms no part of the claimed design.

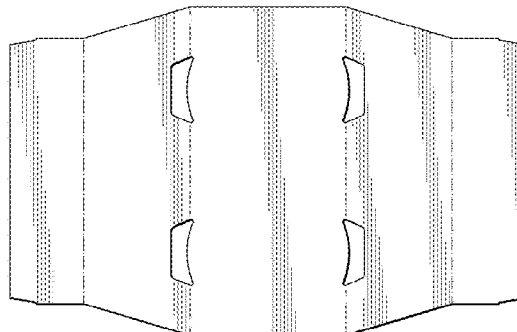
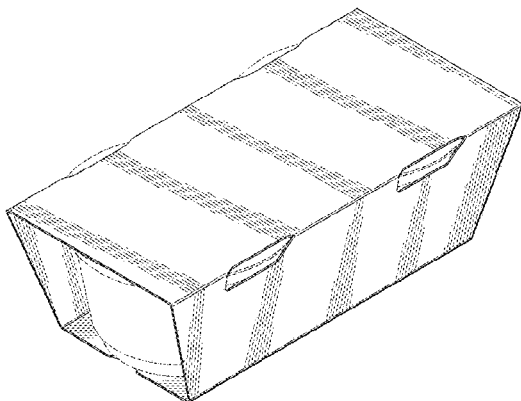
(56) **References Cited**

U.S. PATENT DOCUMENTS

- 3,233,730 A \* 2/1966 Winters ..... B65D 71/16  
206/159
- 3,604,614 A \* 9/1971 Sternfeld ..... B65D 71/20  
206/197
- D432,414 S \* 10/2000 Simpson ..... D9/711
- 6,261,616 B1 \* 7/2001 Simpson ..... B65D 1/34  
206/541
- D484,798 S \* 1/2004 Bukowski ..... D9/433

(Continued)

**1 Claim, 6 Drawing Sheets**



(56)

**References Cited**

U.S. PATENT DOCUMENTS

D558,602	S	*	1/2008	Kissner	.....	D9/711
D582,791	S	*	12/2008	Elmerhaus	.....	D9/721
D610,919	S	*	3/2010	James	.....	D9/711
D639,679	S	*	6/2011	Kissner	.....	D9/739
D642,934	S	*	8/2011	Ly	.....	D9/711
D665,271	S	*	8/2012	Halty	.....	D9/711
D699,591	S	*	2/2014	Malley	.....	D9/711
D710,213	S	*	8/2014	Birchmeier	.....	D9/711
D718,641	S	*	12/2014	Ryan	.....	D9/433
D742,759	S	*	11/2015	Ryan	.....	D9/702
D751,895	S	*	3/2016	Bellamah	.....	D9/432
D766,736	S	*	9/2016	Shoshan	.....	D9/711
D769,732	S	*	10/2016	Shoshan	.....	D9/711
D798,736	S	*	10/2017	Shoshan	.....	D9/711
D815,955	S	*	4/2018	Park	.....	D9/643

OTHER PUBLICATIONS

High Quality Custom Paper Food Packaging Sleeves. Online, published date unknown. Retrieved on May 16, 2018 from URL: [https://ecolorpack.en.alibaba.com/product/1706562249-805405225/High\\_Quality\\_Custom\\_Paper\\_Food\\_Packaging\\_Sleeves.html](https://ecolorpack.en.alibaba.com/product/1706562249-805405225/High_Quality_Custom_Paper_Food_Packaging_Sleeves.html).\*

Packaging—product sleeves. Online, published date Aug. 7, 2016. Retrieved on May 16, 2018 from URL: <http://www.bicubic.com.au/product-sleeves/>.\*

Sleeve packaging is the right solution for a Finnish yogurt maker. Online, published date Mar. 20, 2017. Retrieved on May 15, 2018 from URL: <https://www.dairyfoods.com/articles/92202-sleeve-packaging-is-the-right-solution-for-a-finnish-yogurt-maker>.\*

\* cited by examiner

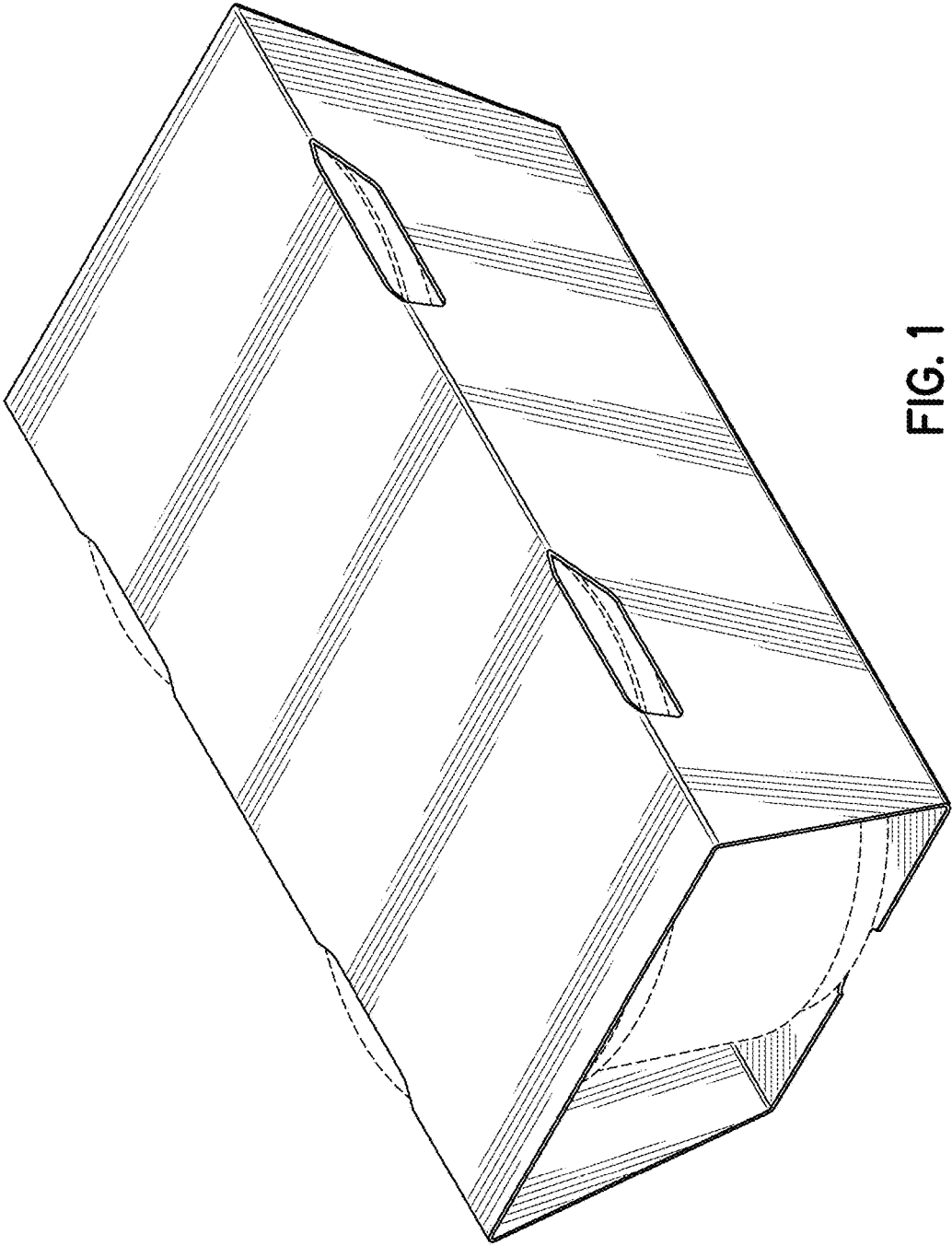


FIG. 1

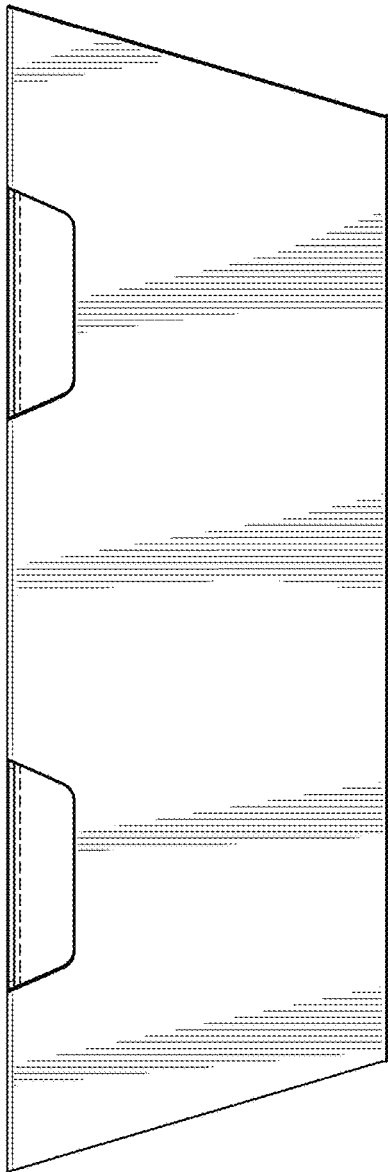


FIG. 2

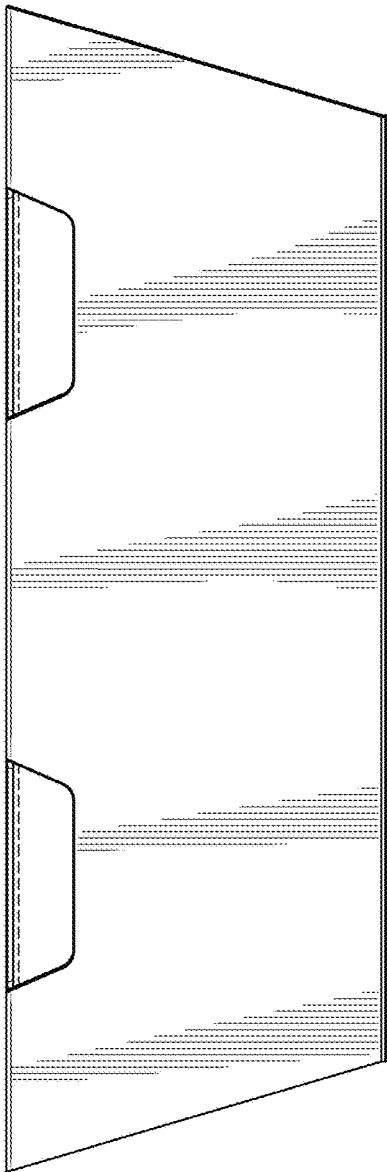


FIG. 3

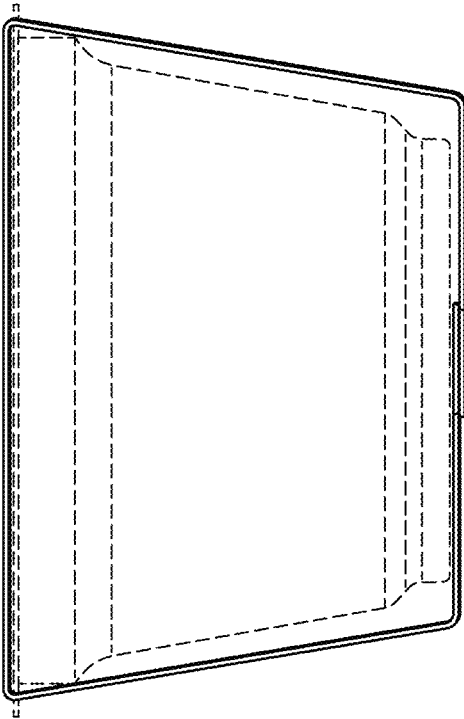


FIG. 4

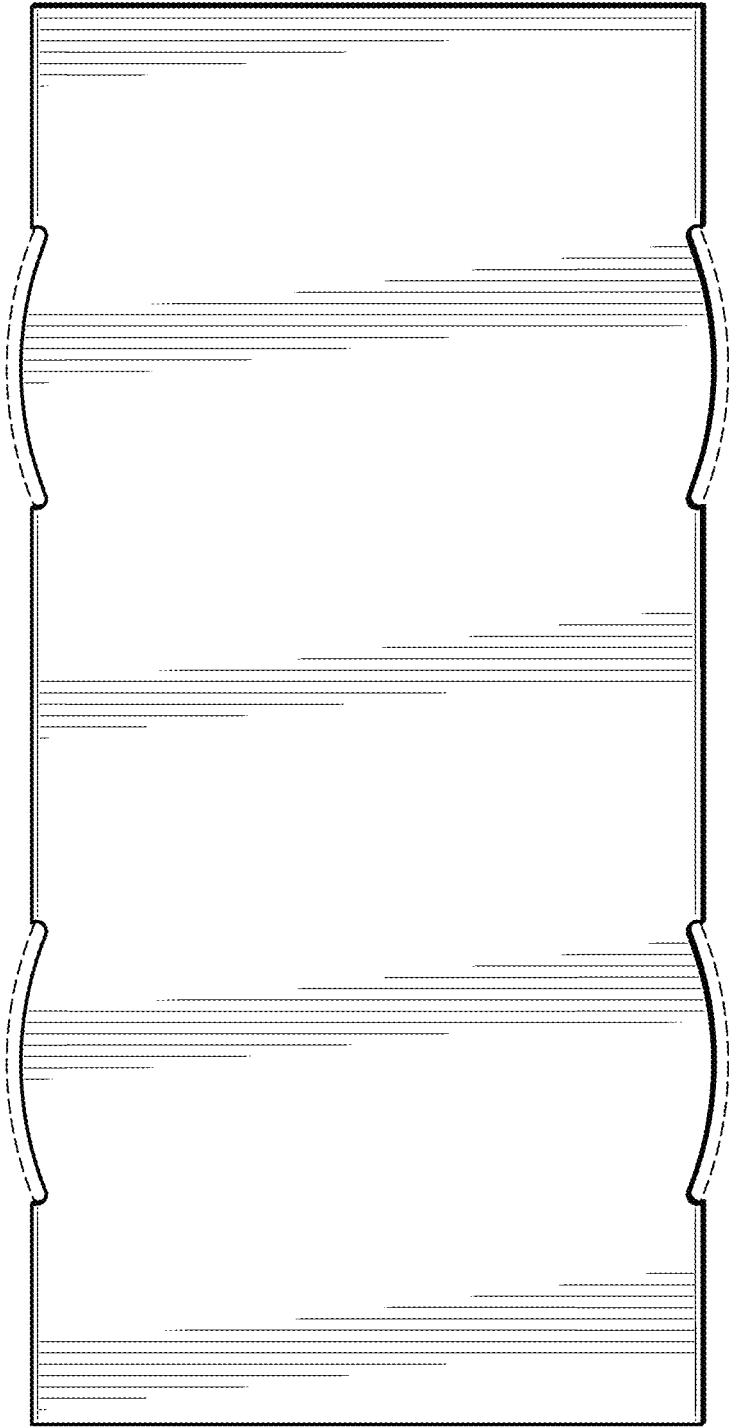


FIG. 5

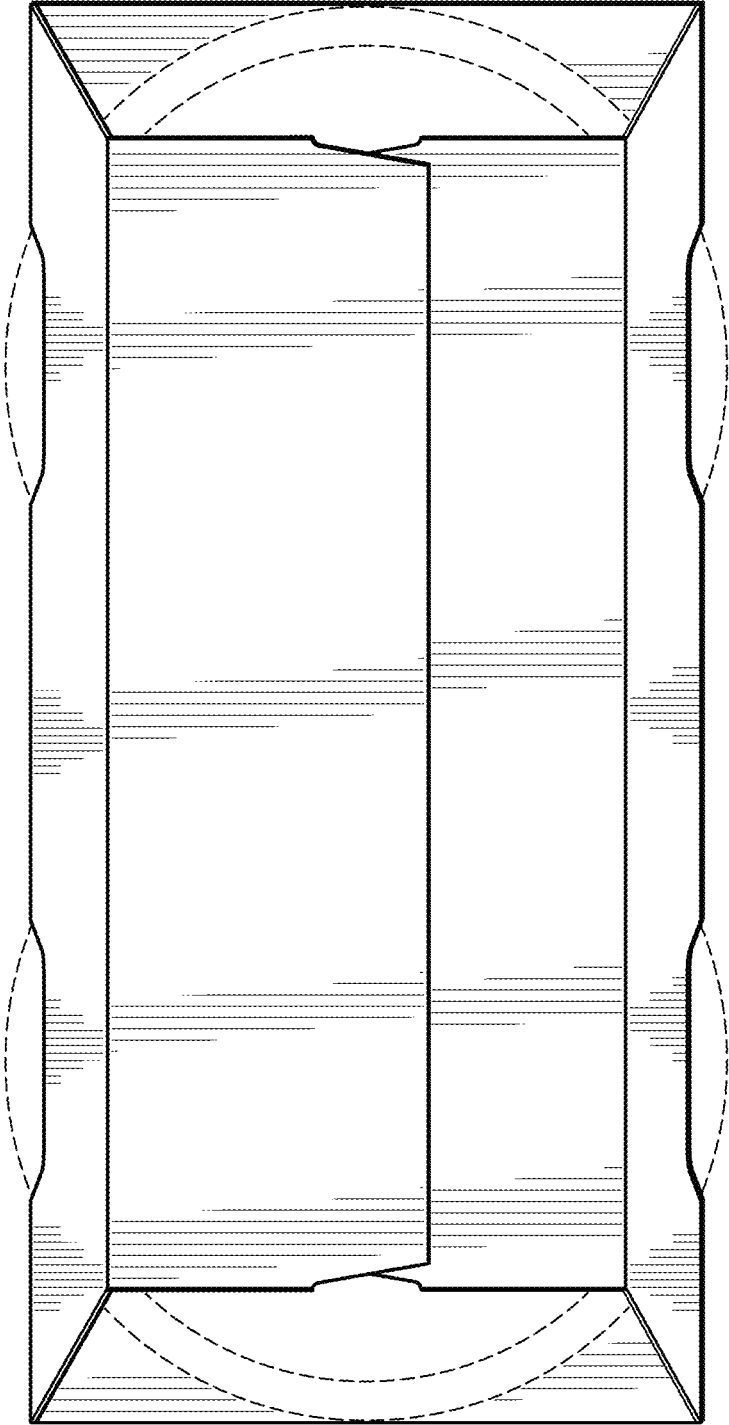


FIG. 6

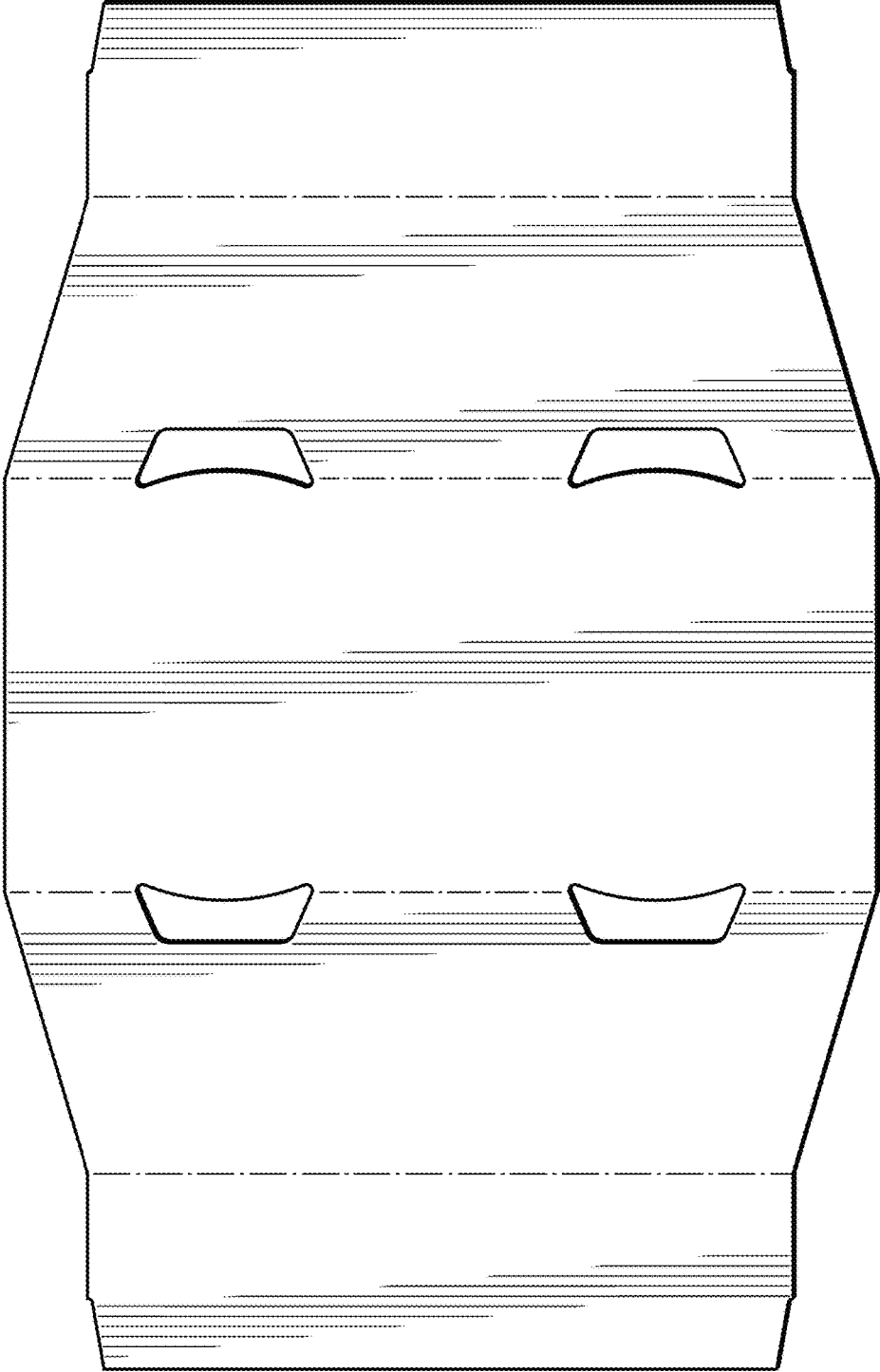


FIG. 7