

(19) World Intellectual Property Organization
International Bureau



(43) International Publication Date
1 April 2010 (01.04.2010)

(10) International Publication Number
WO 2010/037005 A3

- (51) **International Patent Classification:**
F03D 3/06 (2006.01) *F03D 9/00* (2006.01)
F03D 3/00 (2006.01)
- (21) **International Application Number:**
PCT/US2009/058568
- (22) **International Filing Date:**
28 September 2009 (28.09.2009)
- (25) **Filing Language:** English
- (26) **Publication Language:** English
- (30) **Priority Data:**
61/100,749 28 September 2008 (28.09.2008) US
- (71) **Applicant (for all designated States except US):**
BROADSTAR WIND SYSTEMS [US/US]; 1323 N. Stemmons Freeway, Dallas, TX 75207 (US).
- (72) **Inventor; and**
- (75) **Inventor/Applicant (for US only):** **STEVENS, Thomas, G.** [US/US]; 1323 N. Stemmons Freeway, Dallas, TX 75207 (US).
- (74) **Agent:** **EMANUELSON, Kenneth, T.**; The Danamraj Law Group, P.C., 5910 N. Central Expressway, Suite 1450, Dallas, TX 75206 (US).
- (81) **Designated States (unless otherwise indicated, for every kind of national protection available):** AE, AG, AL, AM,

AO, AT, AU, AZ, BA, BB, BG, BH, BR, BW, BY, BZ, CA, CH, CL, CN, CO, CR, CU, CZ, DE, DK, DM, DO, DZ, EC, EE, EG, ES, FI, GB, GD, GE, GH, GM, GT, HN, HR, HU, ID, IL, IN, IS, JP, KE, KG, KM, KN, KP, KR, KZ, LA, LC, LK, LR, LS, LT, LU, LY, MA, MD, ME, MG, MK, MN, MW, MX, MY, MZ, NA, NG, NI, NO, NZ, OM, PE, PG, PH, PL, PT, RO, RS, RU, SC, SD, SE, SG, SK, SL, SM, ST, SV, SY, TJ, TM, TN, TR, TT, TZ, UA, UG, US, UZ, VC, VN, ZA, ZM, ZW.

(84) **Designated States (unless otherwise indicated, for every kind of regional protection available):** ARIPO (BW, GH, GM, KE, LS, MW, MZ, NA, SD, SL, SZ, TZ, UG, ZM, ZW), Eurasian (AM, AZ, BY, KG, KZ, MD, RU, TJ, TM), European (AT, BE, BG, CH, CY, CZ, DE, DK, EE, ES, FI, FR, GB, GR, HR, HU, IE, IS, IT, LT, LU, LV, MC, MK, MT, NL, NO, PL, PT, RO, SE, SI, SK, SM, TR), OAPI (BF, BJ, CF, CG, CI, CM, GA, GN, GQ, GW, ML, MR, NE, SN, TD, TG).

Published:

- with international search report (Art. 21(3))
- before the expiration of the time limit for amending the claims and to be republished in the event of receipt of amendments (Rule 48.2(h))

(88) **Date of publication of the international search report:**
3 March 2011

(54) **Title:** MOBILE WIND TURBINE

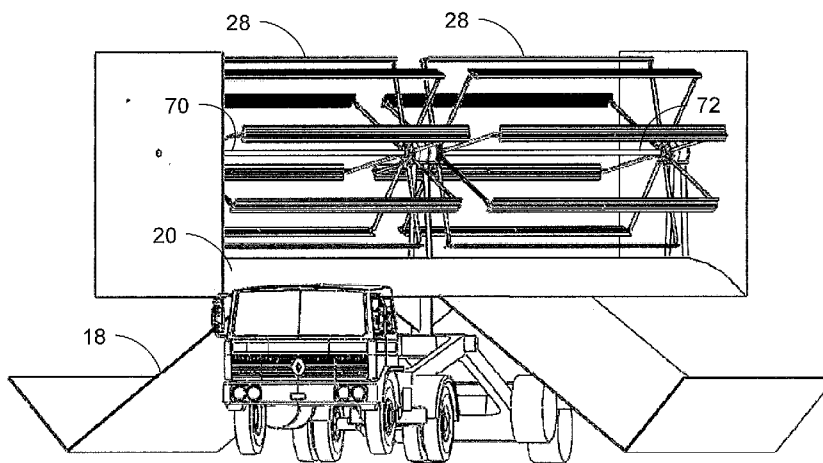


FIGURE 11

(57) **Abstract:** The present invention is directed generally to a mobile wind turbine, and in particular to a wind turbine mounted on a transportable rolling platform. In one embodiment, the apparatus comprises a tractor (10) pulling a trailer (12) having a wind turbine mounted thereon comprising one or more rotors (28).



WO 2010/037005 A3

INTERNATIONAL SEARCH REPORT

International application No

PCT/US2009/058568

A. CLASSIFICATION OF SUBJECT MATTER		
INV.	F03D3/06	F03D3/00 F03D9/00
ADD.		
According to International Patent Classification (IPC) or to both national classification and IPC		
B. FIELDS SEARCHED		
Minimum documentation searched (classification system followed by classification symbols)		
F03D		
Documentation searched other than minimum documentation to the extent that such documents are included in the fields searched		
Electronic data base consulted during the international search (name of data base and, where practical, search terms used)		
EPO-Internal		
C. DOCUMENTS CONSIDERED TO BE RELEVANT		
Category*	Citation of document, with indication, where appropriate, of the relevant passages	Relevant to claim No.
Y	WO 2005/100786 A1 (DONOVAL JAN HM [SK]) 27 October 2005 (2005-10-27) * abstract; figures 1-3, 5, 6	1-6
Y	WO 2008/022209 A2 (BLADE SYSTEMS LP X [US]; STEPHENS THOMAS GLENN [US]) 21 February 2008 (2008-02-21) * abstract; figures 1, 4A, 7, 9, 10, 12	1,2,5
Y	WO 2008/001080 A1 (TAYLOR DEREK ALAN [GB]) 3 January 2008 (2008-01-03) figure 20	4,6
Y	WO 2008/083219 A2 (MCGUIRE DENNIS [US]) 10 July 2008 (2008-07-10) figure 9	3
A	page 9, line 24 - page 10, line 6 page 11, line 33 - page 12, line 7	1
	-/--	
<input checked="" type="checkbox"/> Further documents are listed in the continuation of Box C. <input checked="" type="checkbox"/> See patent family annex.		
* Special categories of cited documents : *A* document defining the general state of the art which is not considered to be of particular relevance *E* earlier document but published on or after the international filing date *L* document which may throw doubts on priority claim(s) or which is cited to establish the publication date of another citation or other special reason (as specified) *O* document referring to an oral disclosure, use, exhibition or other means *P* document published prior to the international filing date but later than the priority date claimed *T* later document published after the international filing date or priority date and not in conflict with the application but cited to understand the principle or theory underlying the invention *X* document of particular relevance; the claimed invention cannot be considered novel or cannot be considered to involve an inventive step when the document is taken alone *Y* document of particular relevance; the claimed invention cannot be considered to involve an inventive step when the document is combined with one or more other such documents, such combination being obvious to a person skilled in the art. *&* document member of the same patent family		
Date of the actual completion of the international search		Date of mailing of the international search report
6 January 2011		17/01/2011
Name and mailing address of the ISA/ European Patent Office, P.B. 5818 Patentlaan 2 NL - 2280 HV Rijswijk Tel. (+31-70) 340-2040, Fax: (+31-70) 340-3016		Authorized officer Altmann, Thomas

INTERNATIONAL SEARCH REPORT

International application No
PCT/US2009/058568

C(Continuation). DOCUMENTS CONSIDERED TO BE RELEVANT

Category*	Citation of document, with indication, where appropriate, of the relevant passages	Relevant to claim No.
A	WO 2005/106242 A1 (ELLIS BRIAN [GB]) 10 November 2005 (2005-11-10) figure 2 -----	1,4,6

INTERNATIONAL SEARCH REPORT

Information on patent family members

International application No PCT/US2009/058568

Patent document cited in search report	Publication date	Patent family member(s)	Publication date
WO 2005100786	A1	27-10-2005	AT 388325 T 15-03-2008
			EP 1800004 A1 27-06-2007
			SK 285839 B6 06-09-2007
WO 2008022209	A2	21-02-2008	AU 2007285942 A1 21-02-2008
			CA 2661137 A1 21-02-2008
			CN 101523016 A 02-09-2009
			EA 200970209 A1 28-08-2009
			EP 2057351 A2 13-05-2009
			JP 2010501054 T 14-01-2010
			US 2008042445 A1 21-02-2008
WO 2008001080	A1	03-01-2008	US 2010034649 A1 11-02-2010
WO 2008083219	A2	10-07-2008	EP 2102497 A2 23-09-2009
			US 2008196758 A1 21-08-2008
WO 2005106242	A1	10-11-2005	BR PI0510592 A 20-11-2007
			US 2007163829 A1 19-07-2007