



(51) International Patent Classification:

A45D 33/28 (2006.01) A45D 40/24 (2006.01)
A45D 34/06 (2006.01) A45D 40/22 (2006.01)

(21) International Application Number:

PCT/US2019/036166

(22) International Filing Date:

07 June 2019 (07.06.2019)

(25) Filing Language:

English

(26) Publication Language:

English

(30) Priority Data:

62/682,581 08 June 2018 (08.06.2018) US

(71) Applicant: **ELC MANAGEMENT LLC** [US/US]; 155 Pinelawn Road, Suite 345 South, Melville, New York 11747 (US).

(72) Inventors: **MARTINS, Agostinho**; 131 North 6th Street, New Hyde Park, New York 11040 (US). **ROH, Yeon Jung**; 217 Eckford Street, Brooklyn, New York 11222 (US). **QUE, Chuzhen**; Suite 402, Building 6, Lane 198, East Xinjian Road, Minhang District, Shanghai 201199 (CN).

CHEN, Yun; Room 401, No. 55, Lane 700, Hongsong Road, Shanghai 201103 (CN). **JIN, Jing**; Room 401, No. 3468-143, Hunan Road, Pudong District, Shanghai 201318 (CN).

(74) Agent: **JOHNSON, Tiffany A.** et al.; 155 Pinelawn Road, Suite 345 South, Melville, New York 11747 (US).

(81) Designated States (unless otherwise indicated, for every kind of national protection available): AE, AG, AL, AM, AO, AT, AU, AZ, BA, BB, BG, BH, BN, BR, BW, BY, BZ, CA, CH, CL, CN, CO, CR, CU, CZ, DE, DJ, DK, DM, DO, DZ, EC, EE, EG, ES, FI, GB, GD, GE, GH, GM, GT, HN, HR, HU, ID, IL, IN, IR, IS, JO, JP, KE, KG, KH, KN, KP, KR, KW, KZ, LA, LC, LK, LR, LS, LU, LY, MA, MD, ME, MG, MK, MN, MW, MX, MY, MZ, NA, NG, NI, NO, NZ, OM, PA, PE, PG, PH, PL, PT, QA, RO, RS, RU, RW, SA, SC, SD, SE, SG, SK, SL, SM, ST, SV, SY, TH, TJ, TM, TN, TR, TT, TZ, UA, UG, US, UZ, VC, VN, ZA, ZM, ZW.

(84) Designated States (unless otherwise indicated, for every kind of regional protection available): ARIPO (BW, GH, GM, KE, LR, LS, MW, MZ, NA, RW, SD, SL, ST, SZ, TZ, UG, ZM, ZW), Eurasian (AM, AZ, BY, KG, KZ, RU, TJ,

(54) Title: MULTI-CONTAINER COSMETIC ACCESSORY

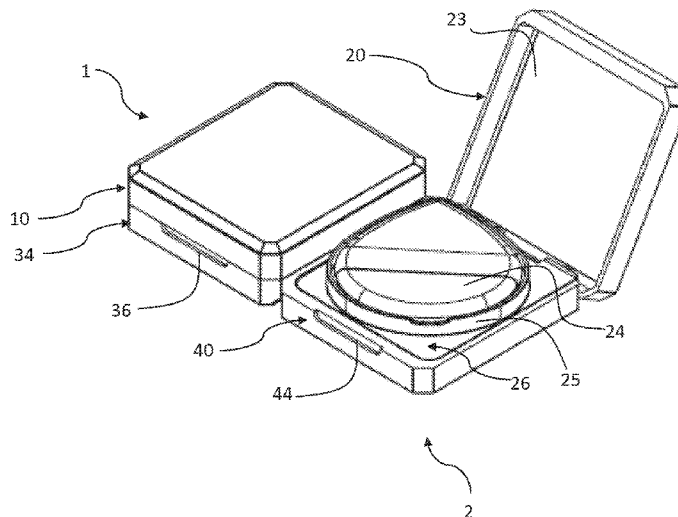


Fig. 2

(57) Abstract: The present invention relates to a cosmetic accessory comprising at least two cosmetic containers. The containers are pivotally attached to one another to provide convenient storage of separate cosmetic compositions. The pivot member enables the first and second containers to be configured at least side-by-side and one on top of the other. Each configuration provides different form-factors for the user based on the user's use context.



TM), European (AL, AT, BE, BG, CH, CY, CZ, DE, DK, EE, ES, FI, FR, GB, GR, HR, HU, IE, IS, IT, LT, LU, LV, MC, MK, MT, NL, NO, PL, PT, RO, RS, SE, SI, SK, SM, TR), OAPI (BF, BJ, CF, CG, CI, CM, GA, GN, GQ, GW, KM, ML, MR, NE, SN, TD, TG).

Published:

- *with international search report (Art. 21(3))*
- *before the expiration of the time limit for amending the claims and to be republished in the event of receipt of amendments (Rule 48.2(h))*

MULTI-CONTAINER COSMETIC ACCESSORY

FIELD OF THE INVENTION

5 The present invention relates, in general, to a cosmetic accessory, and in particular to a cosmetic accessory including modular cosmetic containers.

BACKGROUND OF THE INVENTION

10 Cosmetic accessories typically provide portable shapes and sizes. Users of cosmetic accessories can carry a plethora of containers and cases that can create a disorganized space. Cosmetic accessories smaller in size can lack different options of shades, products, and formulas. While cosmetic accessories larger in size can be too large to be portable. Modular cosmetic accessories can also be too large in size to be portable and can be difficult to configure.

15

SUMMARY OF THE INVENTION

 Embodiments of the present disclosure are directed to a cosmetic accessory comprising at least two cosmetic containers. In one embodiment, the containers may be pivotally attached
20 to one another to provide convenient storage of separate cosmetic compositions. The pivot member may be arranged to connect the first and second containers side-by-side and one on top of the other. Each configuration may provide different form-factors for the user based on the user's use context.

 In another embodiment, the present disclosure may be directed to a cosmetic accessory
25 including at least two cosmetic containers. The at least two cosmetic containers may include a first container having a first base and a second container having a second base. The first base may be pivotally attached to the second base about a lateral pivot member. A first lid may sit atop the first base of the first container, and a second lid may sit atop the second base of the second container. The first container may be arranged to rotate up to approximately 180 degrees
30 about the lateral pivot member relative to the second container. At least one cosmetic container selected from the at least two cosmetic containers may provide a mirror that may be arranged inside of an interior of a lid that may be connected to the at least one cosmetic container. The at least two cosmetic containers may be arranged to form a closed configuration about the lateral pivot member. The at least two cosmetic containers may engage with one another to form a

stable, closed configuration and may engage with one another utilizing male and female connectors. The at least two cosmetic containers may be stacked and may provide a form factor arrangement capable of being handheld by a user. The at least two cosmetic containers may each provide storage space and may form a modular arrangement. The at least two cosmetic
5 containers may connect side-by-side and may connect one cosmetic container on top of another cosmetic container.

BRIEF DESCRIPTION OF THE DRAWINGS

FIG. 1 depicts a perspective view of a cosmetic accessory according to an embodiment
10 of the present disclosure;

FIG. 2 depicts a perspective view of a cosmetic accessory according to an embodiment of the present disclosure;

FIG. 3 depicts a perspective view of a cosmetic accessory including open cosmetic containers according to an embodiment of the present disclosure;

15 FIG. 4 depicts a perspective view of a cosmetic accessory including closed cosmetic containers according to an embodiment of the present disclosure;

FIG. 5 depicts an exploded perspective view of a cosmetic accessory according to an embodiment of the present disclosure;

20 FIG. 6 depicts a perspective view of a cosmetic accessory including closed and stacked cosmetic containers according to an embodiment of the present disclosure;

FIG. 7 depicts a perspective view of a cosmetic accessory including stacked cosmetic containers with an open top cosmetic container according to an embodiment of the present disclosure;

25 FIG. 8 depicts a perspective view of a cosmetic accessory including cosmetic containers with a lateral pivot angle according to an embodiment of the present disclosure; and

FIG. 9 depicts a perspective view of a cosmetic accessory including open, stacked cosmetic containers according to an embodiment of the present disclosure.

DETAILED DESCRIPTION OF THE INVENTION

30 The cosmetic accessory of the present invention comprises at least two cosmetic containers. Fig. 1 shows the first container 1 and second container 2 with the first lid 10 in its open position. The first lid 10 may include a first mirror 13. The first container 1 includes a first puff 14 which is received by a first puff holder 15. The first puff holder 15 is adapted to

accommodate the same shape as the first puff 14, to keep it securely positioned, until it is used. The first puff holder 15 is supported by a first puff tray 16. The first puff tray 16 and first puff holder 15 may be fixed together or otherwise molded as a single form. The first puff tray 16 sits atop a first base 34. The first base 34 includes a first recess 36 which may facilitate opening of the first lid 10 by a user. Adjacent to the first container 1 is the second container 2, which is shown with a closed second lid 20. The second lid 20 sits atop a second base 40 which includes a second recess 44 to facilitate opening of the second lid 20.

Fig. 2 shows the first container 1 with its first lid 10 in the closed position. The closed first lid 10 sits atop the first base 34, which includes a first recess 36. The second container 2 is shown with the second lid 20 in the open position and including a second mirror 23. Also shown is a second puff 24 sitting atop a second puff holder 25. The second puff holder 25 is adapted to receive the second puff 24, to hold it securely until it is used. The second puff holder 25 is supported by a second puff tray 26. The second puff tray 26 may be fixed to the second puff holder 25 or they may be molded as a single form. The second base 40 includes a second recess 44 to facilitate opening of the second lid 20.

Fig. 3 shows the first container 1 and second container 2 in fully open positions. The first container 1 includes an open first lid 10 which includes a first mirror 13. The first puff 14 sits atop the first puff holder 15. As shown, the first puff holder 15 is open, exposing a first cosmetic composition 18. The first puff 14 may be applied to the first cosmetic composition 18 for delivery to a user's face. The first cosmetic composition 18 is housed in the first base 34. The first base 34 includes a first recess 36 which may facilitate opening the first lid 10 by a user. When the first puff tray 16 is closed, as is shown in Fig. 2, the closure preferably forms an air-tight seal according to a variety of methods known in the art for sealing components. It should be appreciated that the air-tight seal may improve or prevent the contents of the first container 1 and the second container 2 from drying out. The first interior lateral wall 45 faces the second interior lateral wall 46 of the second container 2. The second base 40 houses a second cosmetic composition 28 underneath the second puff tray 26. The second base 40 includes a second recess 44 which may facilitate opening the second lid 20. While in the open position, the second puff tray 26 supports the second puff holder 25, which secures the second puff 24. The open second container 20 includes a second mirror 23.

The term, "cosmetic composition" as used herein, may comprise make-up primers, make-up bases, liquid or solid foundations, concealers, lipsticks, lip glosses, powders, lip liners, eye shadows, blushers, twin cakes, UV protectors, lotions, creams, essences, or the like, but is

not limited thereto. Further, “cosmetic compositions” may include product forms such as impregnated substrates. Such substrates, may be selected from, for example, the group consisting of butadiene rubber (BR), styrene butadiene rubber (SBR), natural rubber (NR), natural rubber styrene butadiene rubber (NRSBR), acrylonitrile-butadiene rubber (NBR), liquid
5 polyurethane, dry polyurethane, polyether, polyester, polyvinyl chloride vinyl, polyethylene, latex, silicone, polyvinyl alcohol (PVA), nitrile rubber, butyl rubber and neoprene or the like. The first cosmetic composition 18 and second cosmetic composition 28 may also be the same or different from one another.

Fig. 4 shows both the first container 1 and second container 2 with their first lids 10 and
10 second lids 20, respectively, in closed positions. The first lid 10 sits atop the first base 34 which includes a first recess 36. The second lid 20 sits atop the second base 40 which includes a second recess 44.

Fig. 5 shows an exploded view of the first container 1 and second container 2. The first
lid 10 includes a first lid latching member 9 and second lid latching member 12 therein. The
15 first lid 10 also includes a first rear pivot member 11 which may attach to the first puff tray 16 and first base 34 to facilitate opening of each respective part. The first lid latching member 9 and second lid latching member 12 engage with the first front base latching member 32 and second front base latching member 33 of the first base 34 when the first lid 10 is closed. The first lid 10 may include a first mirror 13 for the convenience of a user. The first puff holder 15
20 is adapted to receive the first puff 14. The first puff tray 16 may include a first tray latching member 17 which engages with the first cosmetic composition tray latch 30 of the first cosmetic composition tray 19 when closed. The first cosmetic composition 18 is housed in the first cosmetic composition tray 19 and preferably creates an air-tight seal when the first tray latching member 17 of the first puff tray 16 is engaged with the first cosmetic composition tray latch 30.
25 The first base 34 includes a first front base latching member 32, second front base latching member 33, first lateral base latching member 31, and first interior lateral base latching member 35 therein. Also shown are the first recess 36 and a lateral pivot member 47. The lateral pivot member 47 attaches to the second base 40 (as is shown in Fig. 6) and may take the form of a hinge, a flexible plastic, flexible rubber, or other material or mount known in the art which
30 facilitates pivotal motion.

The second container 2 includes a third lid latching member 8 and fourth lid latching member 22 which engage with the third front base latching member 39 and fourth front base latching member 42 of the second base 40, when the second lid 20 is closed. The second lid 20

also includes a second rear pivot member 21 which attaches to the second puff tray 26 and second base 40 to facilitate opening of each respective part. The second lid 20 may also include a second mirror 23. The second puff tray 26 is provided to support the second puff holder 25 which is adapted to receive the second puff 24. As shown, the first puff 14 and second puff 24
5 may be the different, as shown, or they may be the same. The first puff holder 15 and second puff holder 25 may be adapted to receive the selected shape of the first puff 14 or second puff 24. The second cosmetic composition tray 29 includes a second tray latching member 27 which engages with the second cosmetic composition tray latch 38 to preferably seal the second cosmetic composition 28 when closed. The second base 40 includes a second interior lateral
10 base latching member 37, third front base latching member 39, fourth front base latching member 42 and second lateral base latching member 41 therein. Each of the latching members, herein, may comprise magnetic and/or mechanical latching means known in the art. It should be appreciated that side-by-side and stacked configurations of the first container 1 and the second container 2 may connect using magnets. A second recess 44 may be provided in the
15 second base 40 to facilitate opening the second lid 20.

When configured side-by-side, according to any of Figs. 1-4, the first interior lateral base latching member 35 and second interior lateral base latching member 37, shown in Fig. 5, may engage with one another via the first interior lateral wall 45 and second interior lateral wall 46, shown in Fig. 3, to provide additional stability to this open configuration.

20 Fig. 6 shows the first container 1 and second container 2 when the units are closed about the lateral pivot member 47. In this position, the first container 1 and second container 2 are stacked upon one another. According to this position, the first lid 10 sits atop the first base 34 which, in turn, sits atop the second base 40 and the second lid 20. The first recess 36 and second recess 44 are visible in this view as well.

25 Fig. 7 shows the same configuration as Fig. 6. but depicts the first lid 10 and first puff tray 16 in their respective open positions. This configuration provides a more mobile or “on-the-go” format for a user. This form factor is more easily held in a user’s hand than the configuration of Fig. 1, for example. Fig. 7 shows the first lid 10 in an open position, presenting the first mirror 13 for the user. The first puff 14 is received by the first puff holder 15, which is
30 supported by the first puff tray 16. The first cosmetic composition 18 is housed in the first base 34. According to this configuration, the first base 34 is stacked atop the second base 40 and second lid 20 as they are collapsed about the lateral pivot member 47. The first container 1 may provide a first recess 36, and the second container 2 may provide a second recess 44.

Fig. 8 shows the first container 1 and second container 2 in closed positions as they rotate about the lateral pivot member 47. According to one configuration, the lateral pivot angle 48 may achieve about 180°, relative to the first base 34 and second base 40, to achieve the configuration according to Fig. 4, for example. According to an alternate configuration, the lateral pivot angle 48 may be about 0° relative to the first base 34 and second base 40, to achieve the configuration according to Fig. 6., for example. Fig. 8 shows the first lid 10 closed against the first base 34, which shows its first recess 36 for facilitating opening the first lid 10. The second lid 20 is closed against the second base 40, which shows its second recess 44.

Fig. 9 shows the first container 1 and second container 2 with each respective first lid 10 and second lid 20 in open positions. The first lid 10 and second lid 20 are attached to their respective first base 34 and second base 40 via the respective first rear pivot member 11 and second rear pivot member 21. The first rear pivot member 11 and second rear pivot member 21 facilitate opening of the first lid 10 and second lid 20 relative to the first base 34 and second base 40. As shown, the first exterior lateral wall 51 and second exterior lateral wall 52 include the first lateral base latching member 31 and second lateral base latching member 41 shown in Fig. 5. Fig. 9 shows that when the first exterior lateral wall 51 and second exterior lateral wall 52 meet in a closed position, as shown in Fig. 6, for example, the first lateral base latching member 31 and second lateral base latching member 41 may engage to stabilize a closed configuration.

It should be appreciated that a cosmetic accessory may include at least two cosmetic containers that may provide a two-in-one package and/or delivery system. It should also be appreciated that the cosmetic accessory may be compact in size, provide an ergonomic design, and may provide a shape and size for ease of packing for traveling. It should further be appreciated that the cosmetic accessory may provide a side-by-side, individual, and stacked arrangement that may be easily connected and disconnected by a user.

It should be appreciated that a cosmetic accessory may be shaped similarly to a cube and may provide dimensions between approximately 3.5 centimeters (cm) to 6.2 cm, without departing from the present disclosure. It should be appreciated that a cosmetic accessory may have a height of approximately 3.7 cm, a width of approximately 5.7 cm, and a length of approximately 6.2 cm. It should be appreciated that the dimensions may be greater or less than the aforementioned dimensions without departing from the present disclosure. It should also be appreciated that the cosmetic accessory may be shaped to fit into a user's palm. It should further

be appreciated that the cosmetic accessory may provide refillable and reusable cosmetic containers that may customizable.

The dimensions and values disclosed herein are not to be understood as being strictly limited to the exact numerical values recited. Instead, unless otherwise specified, each such dimension is intended to mean both the recited value and a functionally equivalent range surrounding that value. For example, a dimension disclosed as “40 mm” is intended to mean “approximately 40 mm.”

Every document cited herein, including any cross referenced or related patent or application, is hereby incorporated herein by reference in its entirety unless expressly excluded or otherwise limited. The citation of any document is not an admission that it is prior art with respect to any invention disclosed or claimed herein or that it alone, or in any combination with any other reference or references, teaches, suggests or discloses any such invention. Further, to the extent that any meaning or definition of a term in this document conflicts with any meaning or definition of the same term in a document incorporated by reference, the meaning or definition assigned to that term in this document shall govern.

While particular embodiments of the present invention have been illustrated and described, it would be obvious to those skilled in the art that various other changes and modifications can be made without departing from the spirit and scope of the invention. It is therefore intended to cover in the appended claims all such changes and modifications that are within the scope of this invention.

CLAIMS

What is claimed is:

1. A cosmetic accessory, comprising:
5 at least two cosmetic containers including a first container having a first base and a second container having a second base, wherein the first base is pivotally attached to the second base about a lateral pivot member.
2. The cosmetic accessory of claim 1, wherein a first lid sits atop the first base of the first
10 container and a second lid sits atop the second base of the second container.
3. The cosmetic accessory of claim 1, wherein the first container is arranged to rotate up to
approximately 180 degrees about the lateral pivot member relative to the second
15 container.
4. The cosmetic accessory of claim 1, wherein at least one cosmetic container selected from
the at least two cosmetic containers provides a mirror inside of an interior of a lid, the
lid secured to the at least one cosmetic container.
- 20 5. The cosmetic accessory of claim 1, wherein the at least two cosmetic containers are
arranged to form a closed configuration about the lateral pivot member.
6. The cosmetic accessory of claim 1, wherein the at least two cosmetic containers engage
with one another in a stacked arrangement.
- 25 7. The cosmetic accessory of claim 6, wherein the at least two cosmetic containers engage
with one another utilizing male and female connectors.
8. The cosmetic accessory of claim 6, wherein the at least two cosmetic containers are
30 identical in shape and size.
9. The cosmetic accessory of claim 1, wherein the at least two cosmetic containers are
different in shape and size.
- 35 10. The cosmetic accessory of claim 1, wherein the at least two cosmetic containers each
provide storage space.

11. The cosmetic accessory of claim 1, wherein the at least two cosmetic containers form a modular arrangement capable of connecting side-by-side.

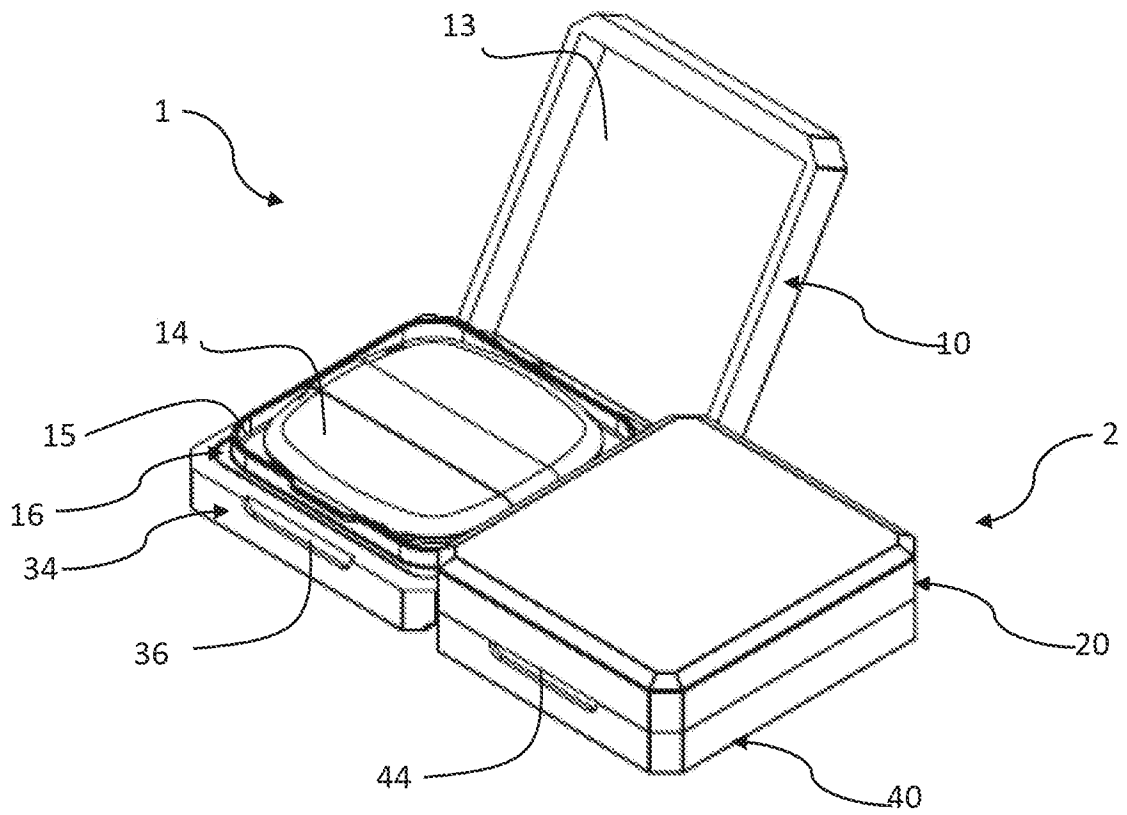


Fig. 1

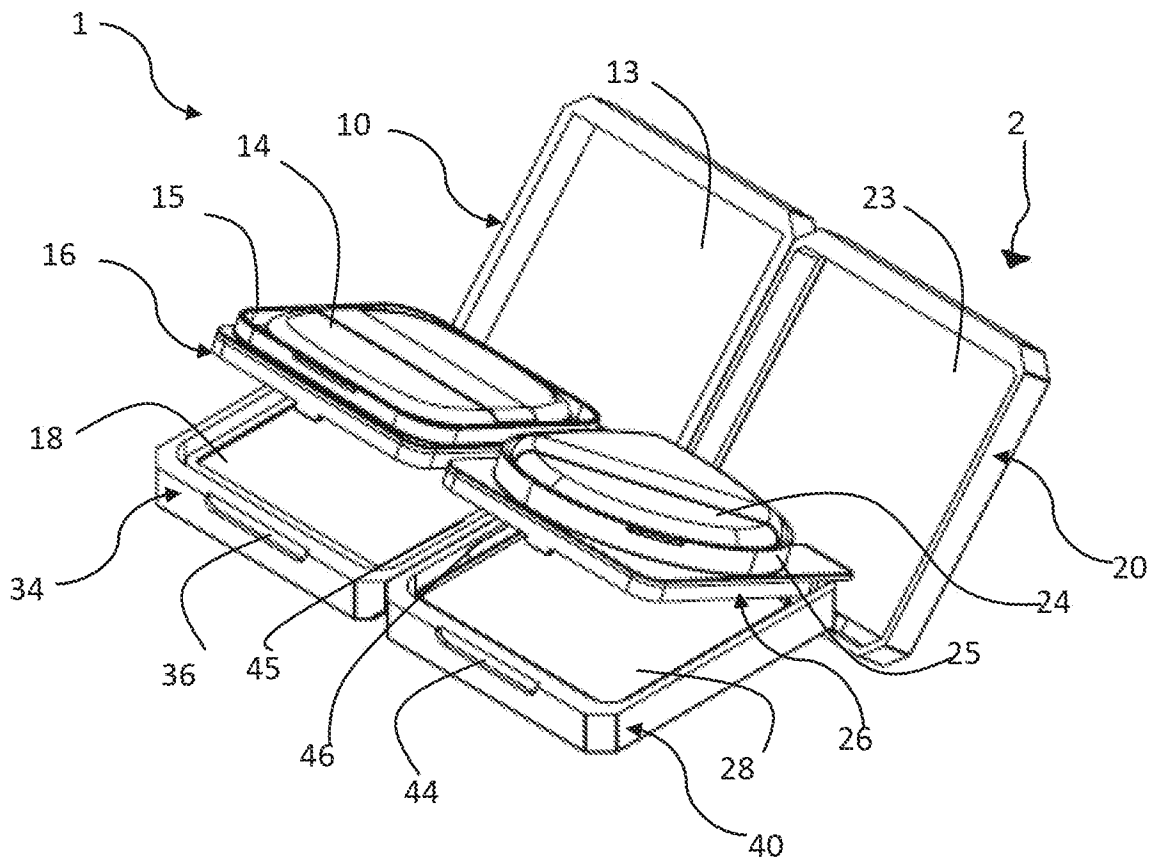


Fig. 3

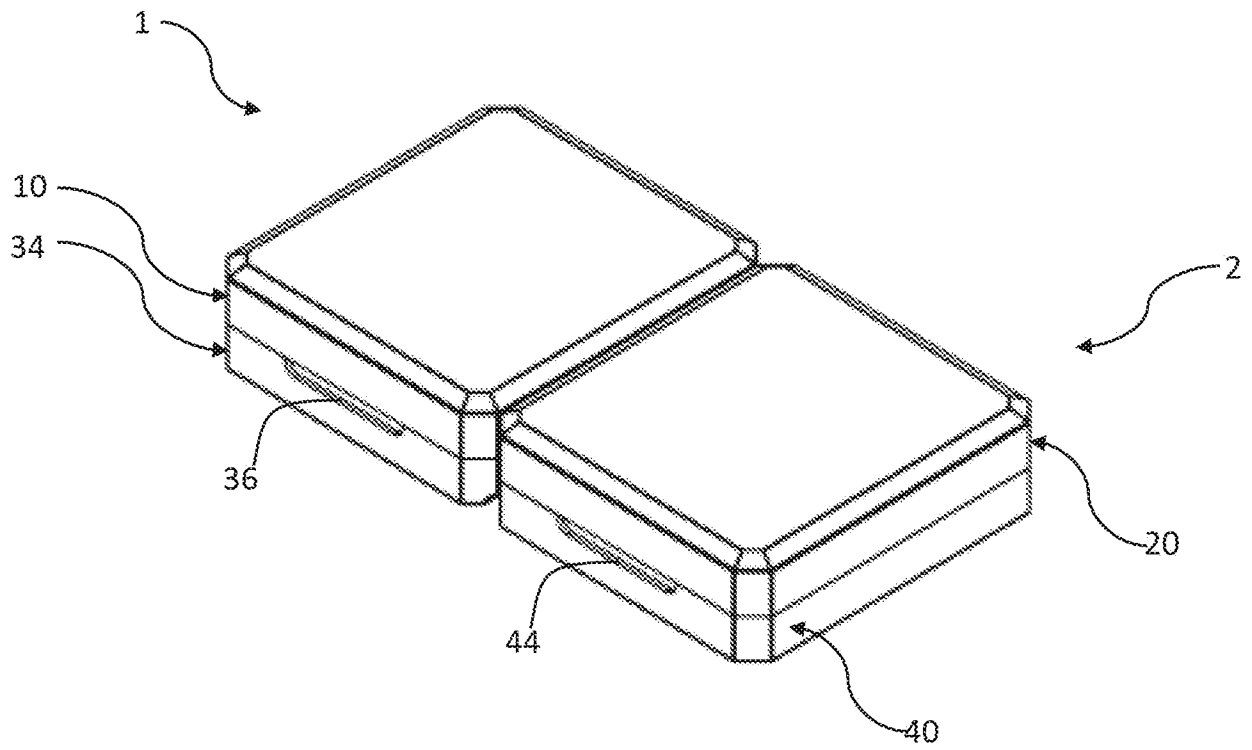


Fig. 4

5/9

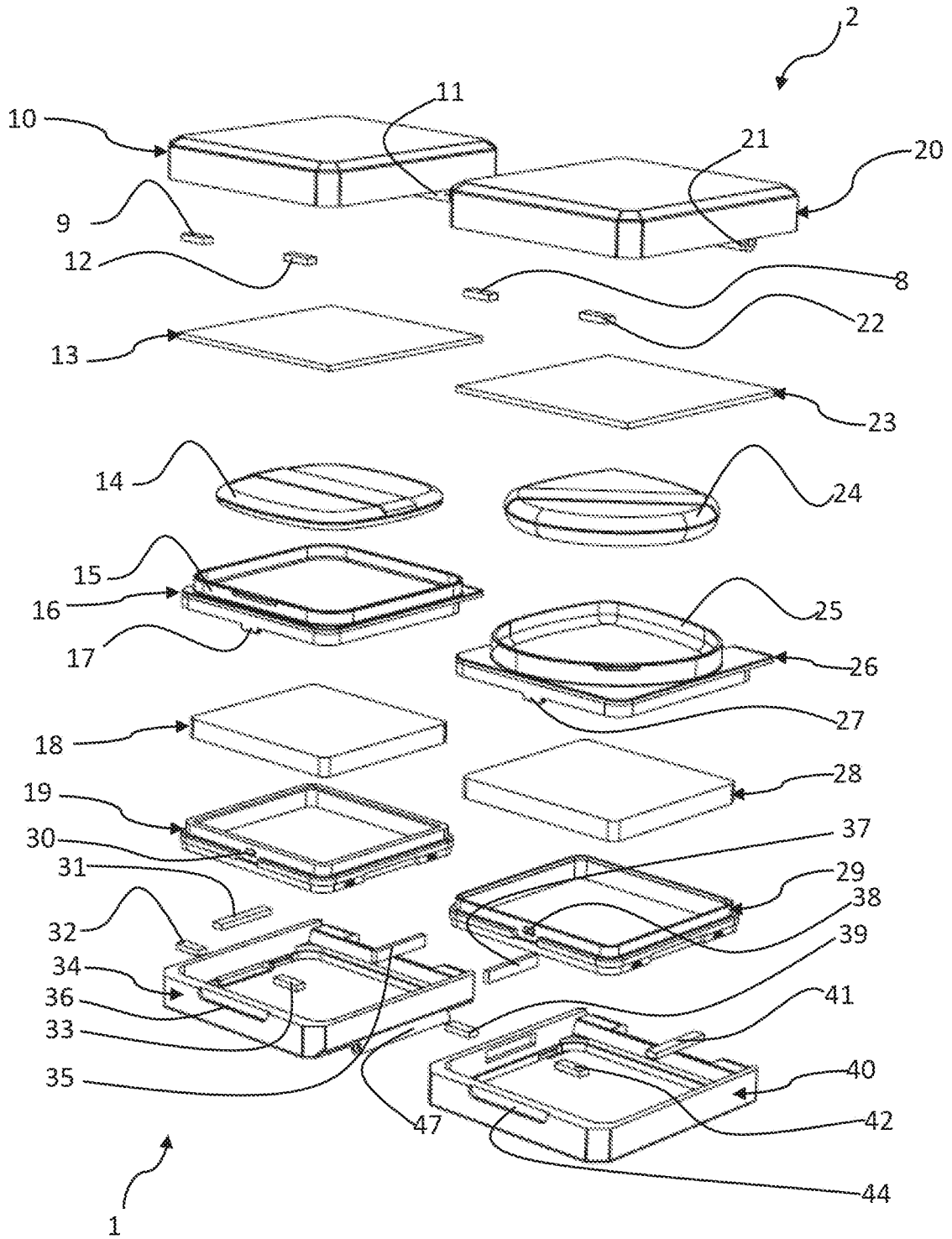


Fig. 5

6/9

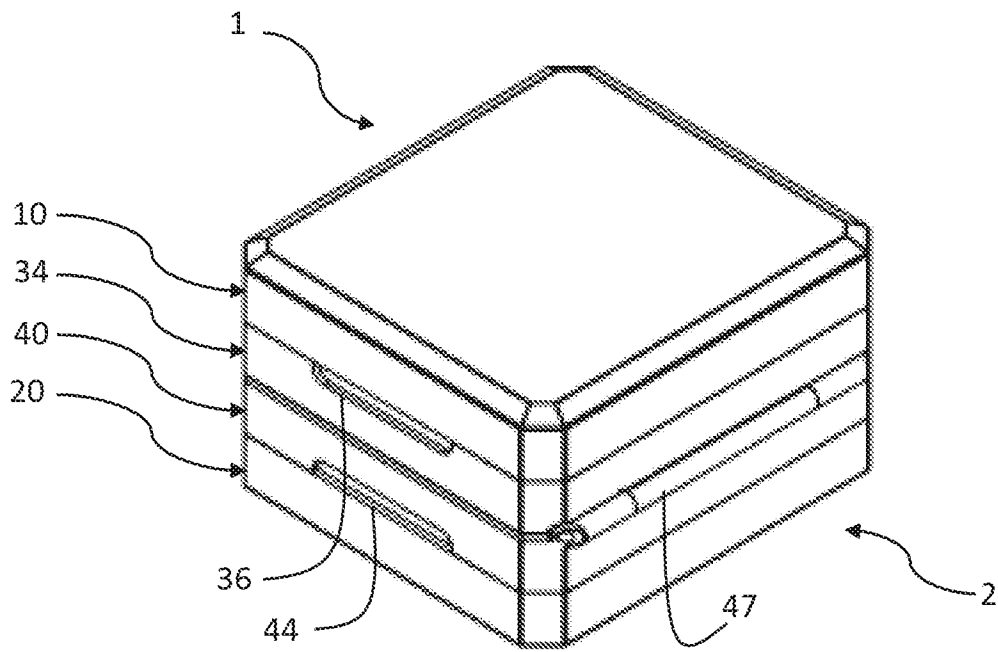


Fig. 6

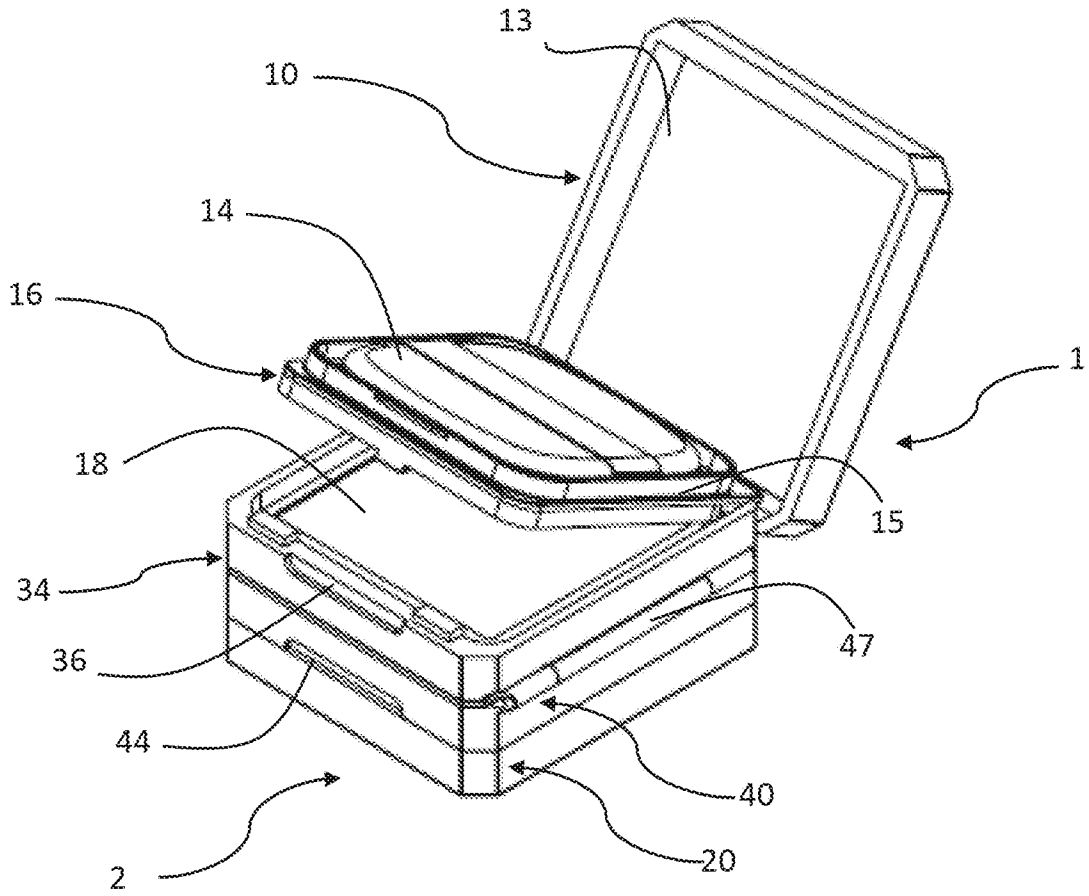


Fig. 7

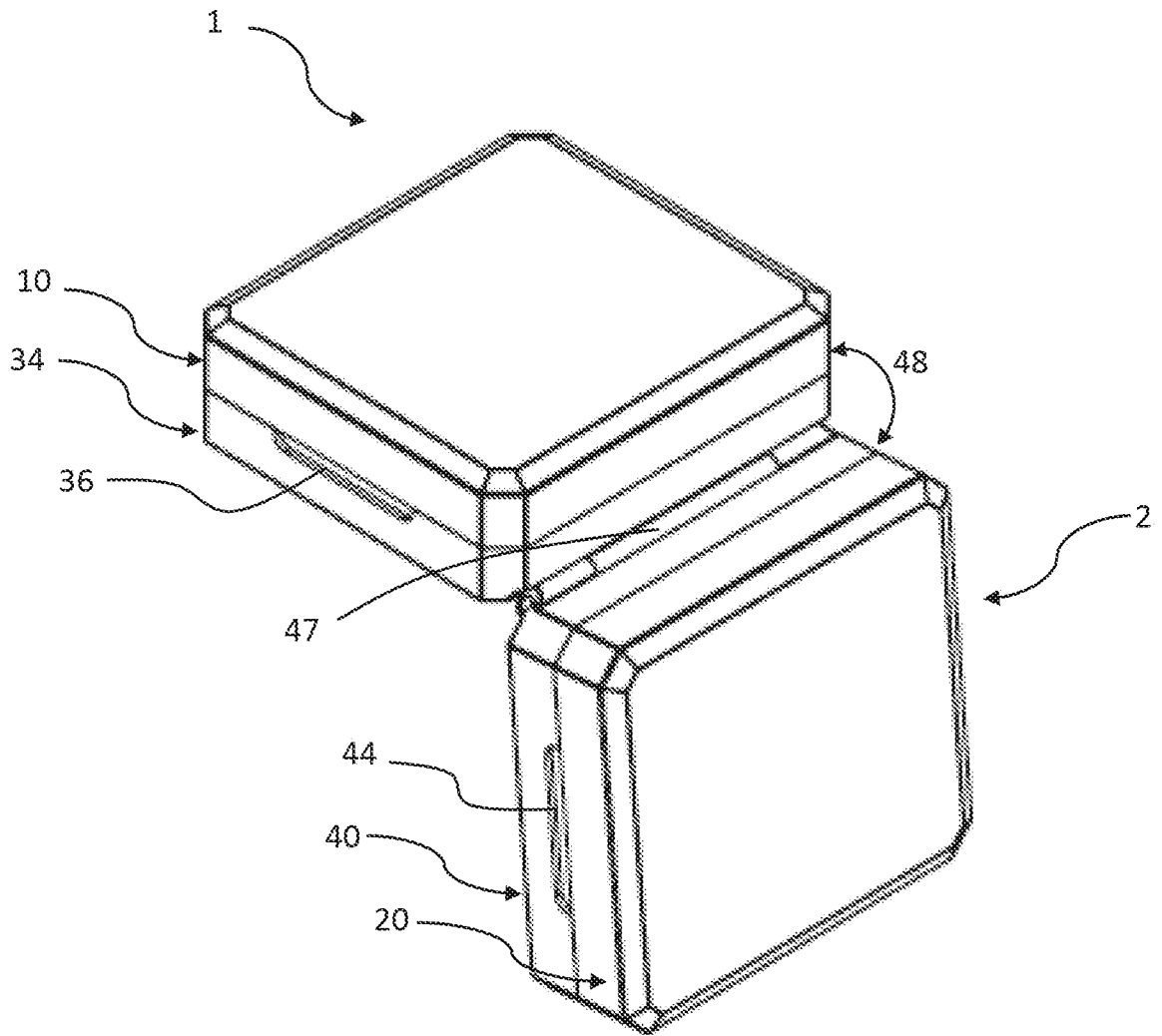


Fig. 8

9/9

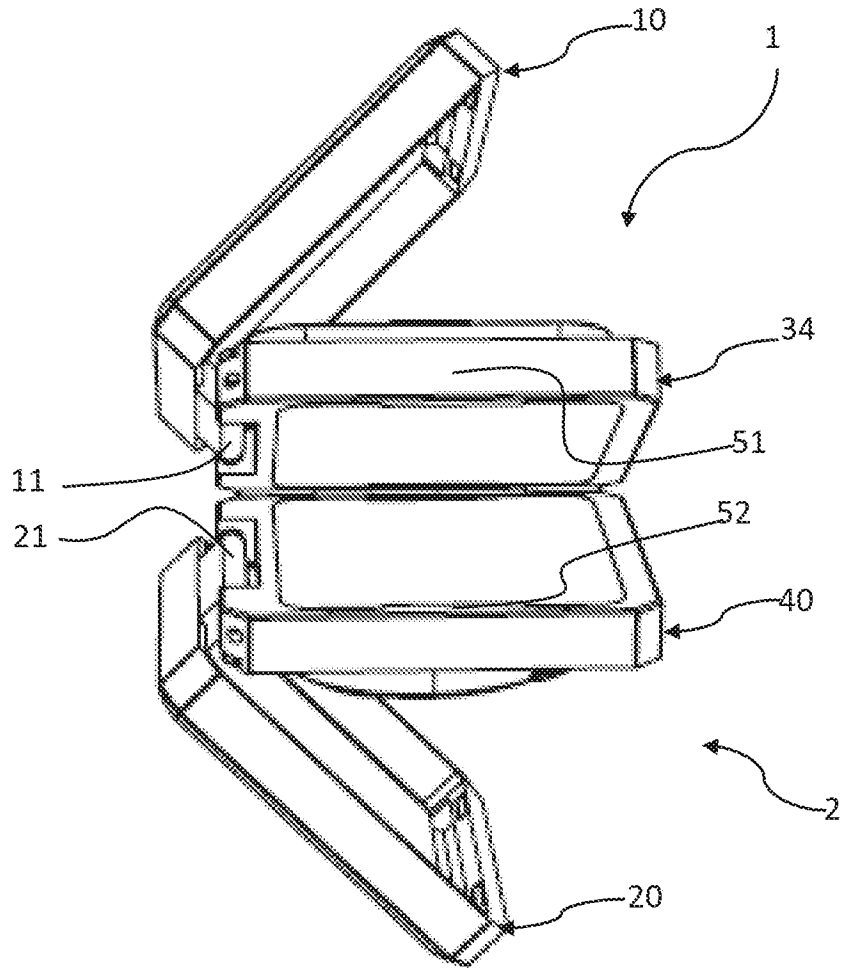


Fig. 9

A. CLASSIFICATION OF SUBJECT MATTER

A45D 33/28(2006.01)i, A45D 34/06(2006.01)i, A45D 40/24(2006.01)i, A45D 40/22(2006.01)i

According to International Patent Classification (IPC) or to both national classification and IPC

B. FIELDS SEARCHEDMinimum documentation searched (classification system followed by classification symbols)
A45D 33/28; A45D 33/22; A45D 33/26; A45D 40/00; A45D 40/22; A45D 40/24; A45D 34/06Documentation searched other than minimum documentation to the extent that such documents are included in the fields searched
Korean utility models and applications for utility models
Japanese utility models and applications for utility modelsElectronic data base consulted during the international search (name of data base and, where practicable, search terms used)
eKOMPASS(KIPO internal) & Keywords: multi, container, cosmetic, accessory, hinge, pivot, rotation**C. DOCUMENTS CONSIDERED TO BE RELEVANT**

Category*	Citation of document, with indication, where appropriate, of the relevant passages	Relevant to claim No.
X	WO 2008-056877 A1 (AMOREPACIFIC CORPORATION) 15 May 2008 See claims 1-2; paragraphs [0032]-[0044]; figures 1-4.	1-11
X	US 2018-0020810 A1 (HCT GROUP HOLDINGS LIMITED) 25 January 2018 See claims 1-13; figures 1-8.	1
X	KR 20-0438532 Y1 (AMOREPACIFIC CORPORATION) 26 February 2008 See claims 1-2; figures 1-8.	1
A	KR 20-2016-0002903 U (PUM-TECH KOREA CO., LTD.) 22 August 2016 See the whole document.	1-11
A	KR 20-0396881 Y1 (PACIFIC CORPORATION) 27 September 2005 See the whole document.	1-11

 Further documents are listed in the continuation of Box C. See patent family annex.

* Special categories of cited documents:

"A" document defining the general state of the art which is not considered to be of particular relevance

"D" document cited by the applicant in the international application

"E" earlier application or patent but published on or after the international filing date

"L" document which may throw doubts on priority claim(s) or which is cited to establish the publication date of another citation or other special reason (as specified)

"O" document referring to an oral disclosure, use, exhibition or other means

"P" document published prior to the international filing date but later than the priority date claimed

"T" later document published after the international filing date or priority date and not in conflict with the application but cited to understand the principle or theory underlying the invention

"X" document of particular relevance; the claimed invention cannot be considered novel or cannot be considered to involve an inventive step when the document is taken alone

"Y" document of particular relevance; the claimed invention cannot be considered to involve an inventive step when the document is combined with one or more other such documents, such combination being obvious to a person skilled in the art

"&" document member of the same patent family

Date of the actual completion of the international search

02 October 2019 (02.10.2019)

Date of mailing of the international search report

02 October 2019 (02.10.2019)

Name and mailing address of the ISA/KR

International Application Division
Korean Intellectual Property Office
189 Cheongsa-ro, Seo-gu, Daejeon, 35208, Republic of Korea

Facsimile No. +82-42-481-8578

Authorized officer

JANG, Gijeong

Telephone No. +82-42-481-8364



INTERNATIONAL SEARCH REPORT

Information on patent family members

International application No.

PCT/US2019/036166

Patent document cited in search report	Publication date	Patent family member(s)	Publication date
WO 2008-056877 A1	15/05/2008	CN 101600369 A CN 101600369 B KR 20-0436252 Y1	09/12/2009 14/12/2011 12/07/2007
US 2018-0020810 A1	25/01/2018	None	
KR 20-0438532 Y1	26/02/2008	None	
KR 20-2016-0002903 U	22/08/2016	None	
KR 20-0396881 Y1	27/09/2005	None	