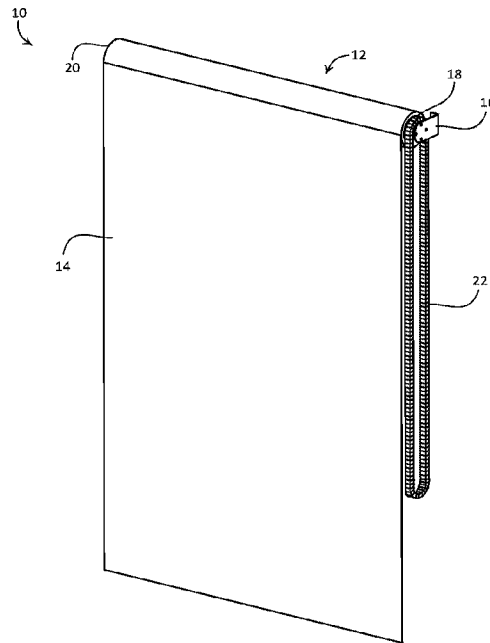




(86) **Date de dépôt PCT/PCT Filing Date:** 2018/12/20  
 (87) **Date publication PCT/PCT Publication Date:** 2019/06/27  
 (45) **Date de délivrance/Issue Date:** 2023/04/04  
 (85) **Entrée phase nationale/National Entry:** 2020/06/18  
 (86) **N° demande PCT/PCT Application No.:** US 2018/066741  
 (87) **N° publication PCT/PCT Publication No.:** 2019/126462  
 (30) **Priorité/Priority:** 2017/12/20 (US62/607,974)

(51) **Cl.Int./Int.Cl. E06B 9/78** (2006.01)  
 (72) **Inventeur/Inventor:**  
KIRBY, DAVID A., US  
 (73) **Propriétaire/Owner:**  
LUTRON TECHNOLOGY COMPANY LLC, US  
 (74) **Agent:** GOWLING WLG (CANADA) LLP

(54) **Titre : ENSEMBLE CHAINE SEMI-RIGIDE**  
 (54) **Title: SEMI-RIGID CHAIN ASSEMBLY**



(57) **Abrégé/Abstract:**

A manually-operated window treatment system may include a roller tube, a covering material, and a semi-rigid chain assembly. The covering material may be attached to the roller tube and may be operable between a raised position and a lowered position via rotation of the roller tube. The semi-rigid chain assembly may be configured to be operated by a user to rotate the roller tube. The semi-rigid chain assembly may be configured to limit the size of a loop that can be formed by the semi-rigid chain assembly. The semi-rigid chain assembly may be operatively coupled to a drive pulley of the window treatment system. The semi-rigid chain assembly may include flexible outer housing and a stiffening rod. The flexible housing may surround and operate along the stiffening rod. The hollow chain may include multiple links that are connected together to form a continuous loop.

## (12) INTERNATIONAL APPLICATION PUBLISHED UNDER THE PATENT COOPERATION TREATY (PCT)

(19) World Intellectual Property  
Organization  
International Bureau

(43) International Publication Date  
27 June 2019 (27.06.2019)



(10) International Publication Number  
**WO 2019/126462 A1**

(51) International Patent Classification:  
*E06B 9/78* (2006.01)

(21) International Application Number:  
PCT/US2018/066741

(22) International Filing Date:  
20 December 2018 (20.12.2018)

(25) Filing Language: English

(26) Publication Language: English

(30) Priority Data:  
62/607,974 20 December 2017 (20.12.2017) US

(71) Applicant: **LUTRON ELECTRONICS CO., INC.**  
[US/US]; 7200 Suter Road, Coopersburg, Pennsylvania  
18036 (US).

(72) Inventor: **KIRBY, David A.**; 7200 Suter Road, Coopers-  
burg, Pennsylvania 18036 (US).

(74) Agent: **SMITH, Philip N.**; 7200 Suter Road, Coopersburg,  
Pennsylvania 18036 (US).

(81) Designated States (*unless otherwise indicated, for every  
kind of national protection available*): AE, AG, AL, AM,  
AO, AT, AU, AZ, BA, BB, BG, BH, BN, BR, BW, BY, BZ,  
CA, CH, CL, CN, CO, CR, CU, CZ, DE, DJ, DK, DM, DO,  
DZ, EC, EE, EG, ES, FI, GB, GD, GE, GH, GM, GT, HN,  
HR, HU, ID, IL, IN, IR, IS, JO, JP, KE, KG, KH, KN, KP,

KR, KW, KZ, LA, LC, LK, LR, LS, LU, LY, MA, MD, ME,  
MG, MK, MN, MW, MX, MY, MZ, NA, NG, NI, NO, NZ,  
OM, PA, PE, PG, PH, PL, PT, QA, RO, RS, RU, RW, SA,  
SC, SD, SE, SG, SK, SL, SM, ST, SV, SY, TH, TJ, TM, TN,  
TR, TT, TZ, UA, UG, US, UZ, VC, VN, ZA, ZM, ZW.

(84) Designated States (*unless otherwise indicated, for every  
kind of regional protection available*): ARIPO (BW, GH,  
GM, KE, LR, LS, MW, MZ, NA, RW, SD, SL, ST, SZ, TZ,  
UG, ZM, ZW), Eurasian (AM, AZ, BY, KG, KZ, RU, TJ,  
TM), European (AL, AT, BE, BG, CH, CY, CZ, DE, DK,  
EE, ES, FI, FR, GB, GR, HR, HU, IE, IS, IT, LT, LU, LV,  
MC, MK, MT, NL, NO, PL, PT, RO, RS, SE, SI, SK, SM,  
TR), OAPI (BF, BJ, CF, CG, CI, CM, GA, GN, GQ, GW,  
KM, ML, MR, NE, SN, TD, TG).

**Published:**

— with international search report (Art. 21(3))

(54) Title: SEMI-RIGID CHAIN ASSEMBLY

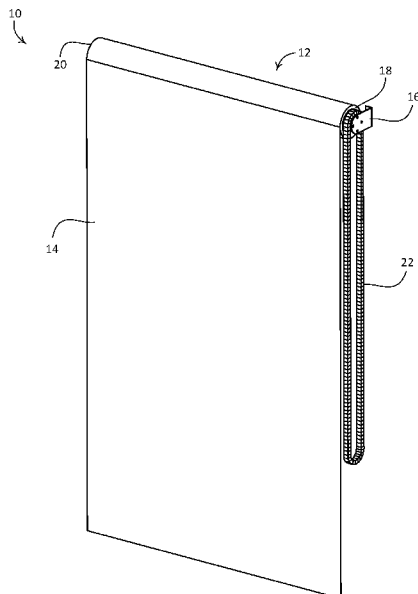


FIG. 1

(57) Abstract: A manually-operated window treatment system may include a roller tube, a covering material, and a semi-rigid chain assembly. The covering material may be attached to the roller tube and may be operable between a raised position and a lowered position via rotation of the roller tube. The semi-rigid chain assembly may be configured to be operated by a user to rotate the roller tube. The semi-rigid chain assembly may be configured to limit the size of a loop that can be formed by the semi-rigid chain assembly. The semi-rigid chain assembly may be operatively coupled to a drive pulley of the window treatment system. The semi-rigid chain assembly may include flexible outer housing and a stiffening rod. The flexible housing may surround and operate along the stiffening rod. The hollow chain may include multiple links that are connected together to form a continuous loop.



WO 2019/126462 A1

## **SEMI-RIGID CHAIN ASSEMBLY**

### **BACKGROUND**

**[0002]** A window treatment may be mounted in front of one or more windows, for example to prevent sunlight from entering a space and/or to provide privacy. Window treatments may include, for example, roller shades, roman shades, venetian blinds, or draperies. A roller shade typically includes a flexible shade fabric wound onto an elongated roller tube. Such a roller shade may include a weighted hembar located at a lower end of the shade fabric. The hembar may cause the shade fabric to hang in front of one or more windows that the roller shade is mounted in front of.

**[0003]** A typical window treatment can be manually operated or motor operated. In the case of a manually-operated window treatment, the rotation of the roller tube is provided by an input wheel that receives an input chain. The input wheel converts a pulling force applied to the input chain into a rotation force. A typical input chain is a ball chain loop. A safety hold may be installed at the bottom of the ball chain loop such that the input chain is not free hanging.

### **SUMMARY**

**[0004]** As described herein, a manually-operated window treatment system may include a roller tube, a covering material, and a semi-rigid chain assembly. The roller tube may be supported at opposed ends thereof. The covering material may be attached to the roller tube and may be operable between a raised position and a lowered position via rotation of the roller tube. The semi-rigid chain assembly may be configured to be operated by a user to rotate the roller tube. The semi-rigid chain assembly may be configured to limit the size of a loop that can be formed by the semi-

rigid chain assembly. The semi-rigid chain assembly may be operatively coupled to a drive pulley of the window treatment system.

**[0005]** The semi-rigid chain assembly may include a flexible outer housing and a stiffening rod. The flexible outer housing may be a hollow chain. The stiffening rod may be a spring steel stiffening rod. The flexible housing may surround and operate along the stiffening rod. For example, the spring steel stiffening rod may be located within the hollow chain. The hollow chain may include multiple links that are connected together to form a continuous loop. The size of the loop may be limited by the stiffness of the stiffening rod. That is, the stiffening rod may be a fixed inner structure that defines a loop.

#### **BRIEF DESCRIPTION OF THE DRAWINGS**

**[0006]** FIG. 1 is an example manual roller shade with a semi-rigid chain assembly.

**[0007]** FIG. 2 is a side view of an example semi-rigid chain assembly.

**[0008]** FIG. 3 is a side cross-section view of the example semi-rigid chain assembly shown in FIG. 2.

**[0009]** FIG. 4 is a side view of an example stiffening rod of the example semi-rigid chain assembly shown in FIG. 2.

**[0010]** FIG. 5 is a perspective view of an example link of the example semi-rigid chain assembly shown in FIG. 2.

**[0011]** FIG. 6 is a side view of multiple links of the example semi-rigid chain assembly shown in FIG. 2.

**[0012]** FIG. 7 is a side cross-section view of the multiple links shown in FIG. 6.

**[0013]** FIG. 8 is a cross-section view through a set of studs defined by a link of the multiple links shown in FIG. 6.

## **DETAILED DESCRIPTION**

**[0014]** FIG. 1 depicts an example manual roller shade 10 with a semi-rigid chain assembly 22. The example manual roller shade 10 may include a roller tube 12, a manual clutch mechanism (not shown), a covering material 14, and one or more brackets 16. The covering material 14 may be windingly received by the roller tube 12. The roller tube 12 may be elongate from a first end 18 to a second end 20. The manual clutch mechanism may be located at the first end 18 of the roller tube 12. The manual clutch mechanism may be bi-directional to provide for raising and lowering of the covering material 14. The covering material may be a flexible shade fabric. The manual clutch mechanism may be configured to rotatably drive the roller tube 12. The manual clutch mechanism may be configured to prevent back-driving of the roller tube 12 that could otherwise occur, for example, if a pulling force was applied to a lower end of the covering material 14 supported by the roller tube 12. An example of a manual clutch mechanism is described in greater detail in commonly-assigned U.S. Patent Application Publication No. 2010/0219306, published September 2, 2010, entitled **MANUAL ROLLER SHADE HAVING CLUTCH MECHANISM, CHAIN GUIDE AND UNIVERSAL MOUNTING**.

**[0015]** The manual roller shade 10 may include an idler assembly (not shown). The idler assembly may be located adjacent to the second end 20 of the roller tube 12 opposite the manual clutch mechanism. The idler assembly may provide rotatable support for the roller tube 12 at the second end 20 of the roller tube 12. The brackets 16 may be located at opposite ends of the manual roller shade 10 for supporting the manual roller shade 10 from a fixed support surface such as a wall or ceiling of a structure, for example.

**[0016]** The semi-rigid chain assembly 22 may be a drive chain. The semi-rigid chain assembly 22 may be received by the roller tube 12. For example, the semi-rigid chain assembly 22 may be received by the manual clutch mechanism such that oppositely-located (*e.g.*, front and rear) portions of the semi-rigid chain assembly 22 hang from the manual clutch mechanism. For example, the semi-rigid chain assembly 22 may be free hanging such that a lower portion of the semi-rigid chain assembly 22 is not anchored. For example, the lower portion of the semi-rigid chain

assembly 22 may not require a tensioner. As another example, the semi-rigid chain assembly 22 may be configured to be anchored such that the lower portion of the semi-rigid chain assembly 22 operates around an anchor and/or tensioner. The semi-rigid chain assembly 22 may form a loop, *e.g.*, a continuous loop.

**[0017]** The semi-rigid chain assembly 22 may be configured to rotate the roller tube 12. For example, the semi-rigid chain assembly 22 may be configured to provide for a sufficient number of rotations of the roller tube 12 for raising or lowering the covering material 14 when a pulling force is applied to a front or rear portion of the semi-rigid chain assembly 22. Each of the opposite hanging portions of the semi-rigid chain assembly 22 may be configured to be graspable by a user such that a pulling force can be applied to each respective hanging portion for drivingly rotating the roller tube 12 to either wind or unwind the covering material 14. For example, when a pulling force is applied to a respective hanging portion of the semi-rigid chain assembly 22, the semi-rigid chain assembly may rotate a drive element (*e.g.*, such as a drive pulley) of the manual roller shade 10. Rotation of the drive element may cause the roller tube 12 to rotate such that the covering material 14 is raised or lowered. For example, the semi-rigid chain assembly 22 may be operatively coupled to the drive element.

**[0018]** FIG. 2 is a side view and FIG. 3 is a side cross section view of an example semi-rigid chain assembly 100 (*e.g.*, such as the semi-rigid chain assembly 22 shown in FIG. 1). The semi-rigid chain assembly 100 may be configured to be free hanging from a roller tube (*e.g.*, such as the roller tube 12 shown in FIG. 1). For example, a top portion of the semi-rigid chain assembly 100 may operate around a roller tube and a bottom portion of the semi-rigid chain assembly 100 may be free hanging. For example, the semi-rigid chain assembly 100 may not require a tensioner. The semi-rigid chain assembly 100 may be configured to limit a size of a loop that can be formed by the semi-rigid chain assembly 100. For example, the semi-rigid chain assembly 100 may be configured to define the size of the loop that can be formed by the semi-rigid chain assembly 100. The semi-rigid chain assembly 100 may include a hollow chain 110 and a stiffening rod 120. The hollow chain 110 may be a plastic beaded chain, for example.

**[0019]** FIG. 4 is a side view of the stiffening rod 120. The stiffening rod 120 may be a spring steel stiffening rod. For example, the stiffening rod may be a spring wire having a diameter of 0.009 inches. The stiffening rod 120 may define a first end 122 and a second end 124. The stiffening rod 120 may be formed into a loop such that the first end 122 is proximate to the second end 124. The loop may define an operational path for the semi-rigid chain assembly 100. The stiffening rod 120 may define a size and/or a shape of the loop. For example, the stiffening rod may be a fixed inner structure that defines the loop (*e.g.*, the size and/or the shape of the loop). The stiffening rod 120 may be oblong with straight section 125 in the middle and curved sections 126 at opposed ends. The curved sections 126 may have a radius R1. The radius R1 may define the maximum bend radius of the semi-rigid chain assembly 100. For example, the stiffening rod 120 may have a maximum bend radius of 0.75 in to 1.0 in. Although FIG. 3 depicts the curved sections of the stiffening rod 120 as having the same radius (*e.g.*, the radius R1), the curved sections 126 may have different radii. For example, an upper curved section may have a first radius and the lower curved section may have a second radius. The first radius may be configured based on a size of a drive element of the roller tube. The second radius may be less than the first radius and may be configured to limit the size and/or shape of the stiffening rod 120 (*e.g.*, the lower curved section of the stiffening rod 120).

**[0020]** The stiffening rod 120 may define an opening 128 between the first end 122 and the second end 124. In addition, the first end 122 and the second end 124 may be connected such that the stiffening rod 120 forms a continuous loop. For example, the first end 122 and the second end 124 may be connected via soldering, die-attaching, or the like.

**[0021]** The stiffening rod 120 may be located within the hollow chain 110. The hollow chain 110 may be a flexible outer housing that may be configured to operate along the stiffening rod 120. For example, the hollow chain 110 may be configured to surround and operate along the stiffening rod 120. The hollow chain 110 may include multiple links 112. Each of the multiple links 112 may be hollow such that the multiple links 112 are configured to surround the stiffening rod 120.

**[0022]** FIG. 5 is a perspective view of an example link of the multiple links 112 of the example semi-rigid chain assembly 100 shown in FIG. 2. Each of the links 112 may define a first end 114 and a second end 116. The first end 114 may be a female portion of the link 112. The first end 114 may have a spherical shape. The second end 116 may be a male portion of the link 112. The second end 116 may have a cylindrical shape. The first end 114 of each link 112 may be configured to receive a second end 116 of another link 112. The first end 114 may be configured to pivot around the second end 116. For example, the first end 114 and the second end 116 of the link 112 may be configured such that the hollow chain 110 can form a shape corresponding to the loop formed by the stiffening rod 120.

**[0023]** The first end 114 of the link 112 may include a set of holes 130. The holes 130 may be located at opposed sides of the link 112. The second end 116 of the link 112 may define studs 132. The studs 132 may be located at opposed sides of the link 112. The holes 130 and the studs 132 may be aligned. The link 112 may define a bore 134 therethrough. The bore 134 may extend through the first end 114 and the second end 116. The bore 134 may be cylindrical in the second end 116. The bore 134 may be spherical in the first end 114. For example, the bore 134 may be larger within the second end 116 than within the first end 114. The bore 134 in the first end 114 may be configured to allow the second end 116 of another link 112 to pivot within the first end 114 of the link 112.

**[0024]** The hollow chain 110 may be configured to rotate a roller tube of a window treatment (*e.g.*, such as roller tube 12 shown in FIG. 1). The hollow chain 110 may engage a drive element of the window treatment. For example, the spherical second end 116 of each of the links 112 may be configured to engage notches of a sprocket (not shown) of the drive element. The hollow chain 110 may be operatively coupled to the drive element of the window treatment such that a pulling force applied to the hollow chain 110 is transferred to a rotation force at the roller tube. The pulling force may be applied in a clockwise or counter-clockwise direction to raise or lower, respectively, the covering material of the window treatment.

**[0025]** FIG. 6 depicts a side view of multiple links 112 of the example semi-rigid chain assembly 100 shown in FIG. 2. The multiple links 112 (*e.g.*, links 112A, 112B, 112C, 112D, 112E,

112F, 112G) may be connected together to form a continuous chain. Each of the multiple links 112 may be configured to be connected to two other links. For example, link 112A may be connected to link 112B. Link 112B may be connected to link 112A and link 112C, and so forth. Although the links 112 are shown to be connected using the studs 132 and the corresponding holes 130, the links 112 may be connected together using hinge pins, clips, other fasteners, or some other fastening design.

**[0026]** FIG. 7 depicts a side cross-section view of the multiple links 112 shown in FIG. 6 (*e.g.*, taken through the center of the links) without the stiffening rod 120 shown. The hollow chain 110 may define a chamber 118 through the multiple links 112. For example, each of the links 112 (*e.g.*, links 112A, 112B, 112C, 112D, 112E, 112F, 112G) may define the chamber 118. The chamber 118 may be configured to accept the stiffening rod 120. The chamber 118 may be configured such that the hollow chain 110 can form a shape corresponding to the loop formed by the stiffening rod 120.

**[0027]** FIG. 8 depicts a cross-section view through a set of studs defined by a link of the multiple links 112 (*e.g.*, taken through the line shown in FIG. 6) with the stiffening rod 120 shown. For example, a first link 112B may receive a second link 112A. For example, a female portion 114B of the first link 112B may be configured to receive a male portion 114A of the second link 112A. The studs 132A of the second link 112A may be received by the holes 130B of the first link 112B. For example, the first link 112B may be configured to be connected to the second link 112A via the studs 132A and the corresponding holes 130B. The bore 134A of the second link 112A may be accessible via the first link 112B.

## CLAIMS:

1. A manually-operated window treatment system comprising:
  - a roller tube that is supported at opposed ends thereof;
  - a covering material that is attached to the roller tube, the covering material operable between a raised position and a lowered position via rotation of the roller tube; and
  - a semi-rigid chain assembly configured to be operated by a user to rotate the roller tube, the semi-rigid chain assembly including:
    - a hollow chain comprising a plurality of links, and
    - a stiffening rod located within the hollow chain such that the hollow chain is operable to move relative to the stiffening rod along a length of the stiffening rod,wherein the semi-rigid chain assembly is configured to limit a size of a loop formed by the semi-rigid chain assembly.
2. The manually-operated window treatment system of claim 1, wherein the stiffening rod is a spring steel stiffening rod and the hollow chain is a hollow plastic beaded chain.
3. The manually-operated window treatment system of claim 1, wherein the plurality of links form a continuous loop.
4. The manually-operated window treatment system of claim 3, wherein the links are connected together via a set of studs defined by each of the plurality of links and corresponding holes on each of the plurality of links.

5. The manually-operated window treatment system of claim 1, wherein the stiffening rod defines a shape of the loop.
6. The manually-operated window treatment system of claim 1, further comprising a drive pulley, wherein the semi-rigid chain assembly is operatively coupled to the drive pulley such that operation of the semi-rigid chain assembly rotates the roller tube.
7. The manually-operated window treatment system of claim 1, wherein the semi-rigid chain assembly is operable to rotate the roller tube.
8. A chain assembly for a manually-operated window treatment, the chain assembly comprising:
  - a hollow chain configured to raise and lower the manually-operated window treatment, the hollow chain including a plurality of links forming a loop; and
  - a stiffening rod located within the hollow chain, wherein the hollow chain is configured to surround and operate along the stiffening rod such that the hollow chain is operable to move relative to the stiffening rod.
9. The chain assembly of claim 8, wherein the stiffening rod is a fixed inner structure that defines the loop.
10. The chain assembly of claim 9, wherein the stiffening rod has a maximum bend radius of 1 inch.

11. The chain assembly of claim 9, wherein the stiffening rod is a spring wire having a diameter of 0.009 inches.
12. The chain assembly of claim 8, wherein the hollow chain is configured to be operatively coupled to a drive element of the manually-operated window treatment.
13. The chain assembly of claim 12, wherein the plurality of links are connected to each other to create the loop.
14. The chain assembly of claim 13, wherein the links are connected to each other via a plurality of studs and corresponding holes.
15. The chain assembly of claim 13, wherein each of the links comprises a first set of holes at a first end and a second set of holes at a second end.
16. The chain assembly of claim 13, wherein a first link is connected to a second link via a first set of studs defined by the first link received by a first set of holes of the second link, and wherein the second link is connected to a third link via a second set of studs of the second link received by a second set of holes of the third link.
17. The chain assembly of claim 8, wherein the hollow chain is configured to rotate a roller tube of a window treatment system.

18. A chain assembly for a manually-operated window treatment, the chain assembly comprising:

a flexible member configured to raise and lower the manually-operated window treatment, the flexible member forming a loop; and

a rigid member having a curved portion, wherein the rigid member is configured to define a size of a fixed radius of the curved portion, and wherein the rigid member is disposed within a hollow space defined by the flexible member and the flexible member is configured to operate along the rigid member, such that the flexible member is operable to move relative to the rigid member.

19. The chain assembly of claim 18, wherein the fixed radius of the curved portion is between 0.75 and 1.0 inches.

20. The chain assembly of claim 8, wherein each link of the plurality of links includes a female end and a male end extending from the female end, the female end having a spherical shape configured to engage a sprocket of a drive element of the manually-operated window treatment, the male end having a cylindrical shape and being at least partially received within a bore defined by a female end of an adjacent link.

21. A window treatment system comprising:

a roller tube that is supported at opposed ends thereof;

a covering material that is attached to the roller tube, the covering material operable between a raised position and a lowered position via rotation of the roller tube; and

a chain assembly configured to be operative by a user to rotate the roller tube, wherein the chain assembly includes:

a hollow chain comprising a plurality of links, and

a rod located within the hollow chain such that the hollow chain is operable to move relative to the rod along a length of the rod.

22. The window treatment system of claim 21, wherein the chain assembly is configured to limit a size of a loop that can be formed by the chain assembly.

23. The window treatment system of claim 21, wherein the rod is a spring steel stiffening rod and the hollow chain is a hollow plastic beaded chain.

24. The window treatment system of claim 21, wherein the hollow chain comprises a plurality of links that are connected together to form a continuous loop.

25. The window treatment system of claim 24, wherein the links are connected together via a set of studs defined by each of the plurality of links and corresponding holes on each of the plurality of links.

26. The window treatment system of claim 21, wherein the rod defines a shape of a loop.

27. The window treatment system of claim 21, further comprising a drive pulley, wherein the chain assembly is operatively coupled to the drive pulley such that operation of the chain assembly rotates the roller tube.

28. The window treatment system of claim 21, wherein the chain assembly is operable to rotate the roller tube.

29. The window treatment system of claim 21, wherein each link of the plurality of links includes a female end and a male end extending from the female end, the female end having a spherical shape configured to engage a sprocket of the drive element of the window treatment, the male end having a cylindrical shape and being at least partially received within a bore defined by a female end of an adjacent link.

30. An apparatus for rotating a roller tube of a window treatment to raise and lower a covering material, the apparatus comprising:  
a drive element configured to rotate the roller tube to raise and lower the covering material of the window treatment; and  
a chain assembly operatively coupled to the drive element for rotating the roller tube, the chain assembly including a hollow chain having a plurality of links forming a loop, and a rod located within the hollow chain, wherein the hollow chain is configured to surround and operate along the rod, such that the hollow chain is operable to move relative to the rod.

31. The apparatus of claim 30, wherein the rod is a fixed inner structure that defines a loop.

32. The apparatus of claim 31, wherein the rod has a maximum bend radius of 1 inch.
33. The apparatus of claim 31, wherein the rod is a spring wire having a diameter of 0.009 inches.
34. The apparatus of claim 30, wherein the drive element comprises a drive pulley.
35. The apparatus of claim 34, wherein the plurality of links are connected to each other to create the loop.
36. The apparatus of claim 35, wherein the links are connected to each other via a plurality of studs and corresponding holes.
37. The apparatus of claim 35, wherein each of the links comprises a first set of holes at a first end and a second set of holes at a second end.
38. The apparatus of claim 35, wherein a first link is connected to a second link via a first set of studs defined by the first link received by a first set of holes of the second link, and wherein the second link is connected to a third link via a second set of studs of the second link received by a second set of holes of the third link.

39. An apparatus for rotating a roller tube of a window treatment to raise and lower a covering material, the apparatus comprising:  
a drive element configured to rotate the roller tube to raise and lower the covering material of the window treatment; and  
a chain assembly operatively coupled to the drive element for rotating the roller tube, the chain assembly including a flexible member forming a loop, and a rigid member having a curved portion, wherein the rigid member is configured to define a size of a fixed radius of the curved portion, and wherein the rigid member is disposed within a hollow space defined by the flexible member and the flexible member is configured to operate along the rigid member, such that the flexible member is operable to move relative to the rigid member.
40. The apparatus of claim 39, wherein the fixed radius is between 0.75 and 1.0 inches.

1/3

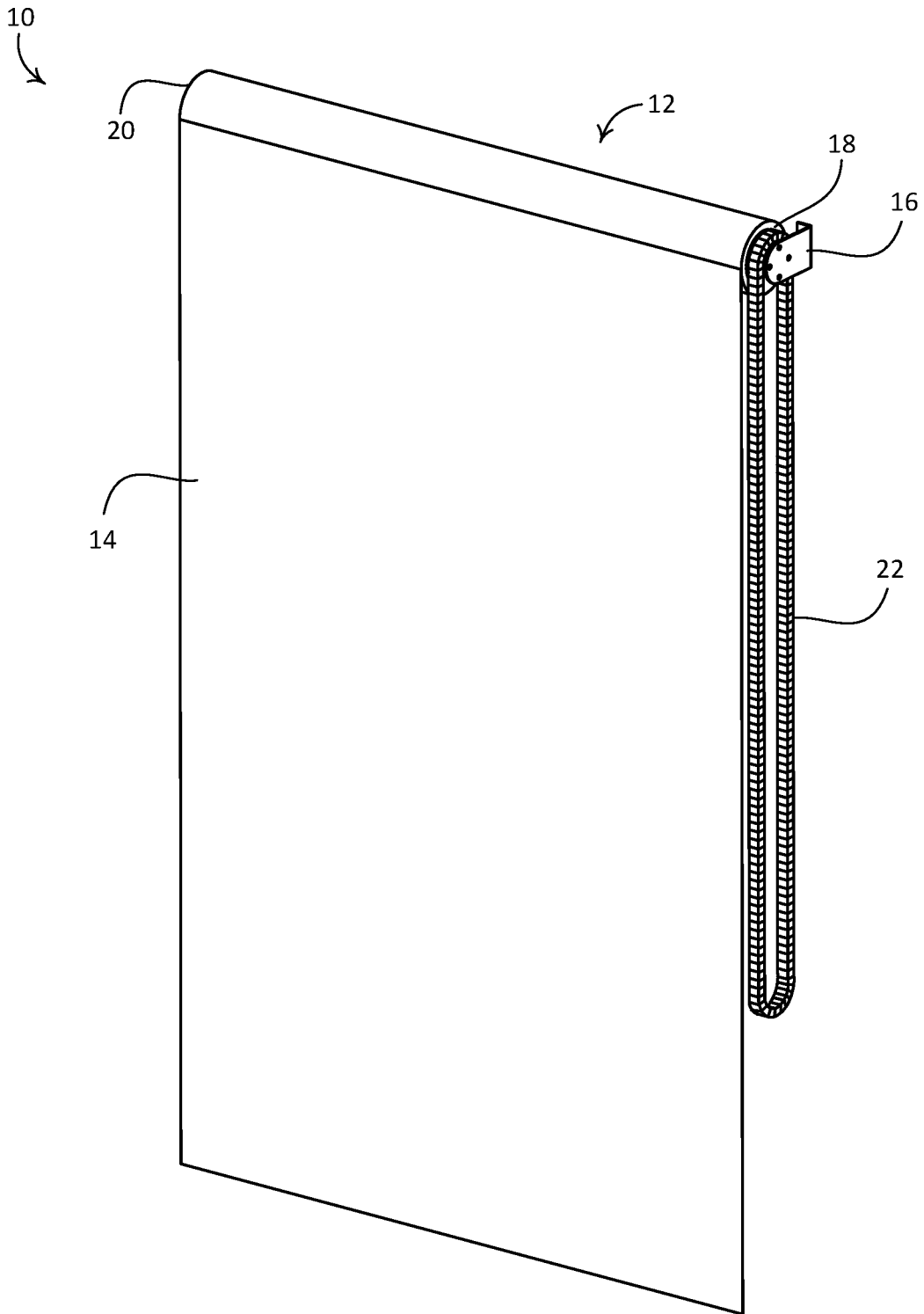


FIG. 1

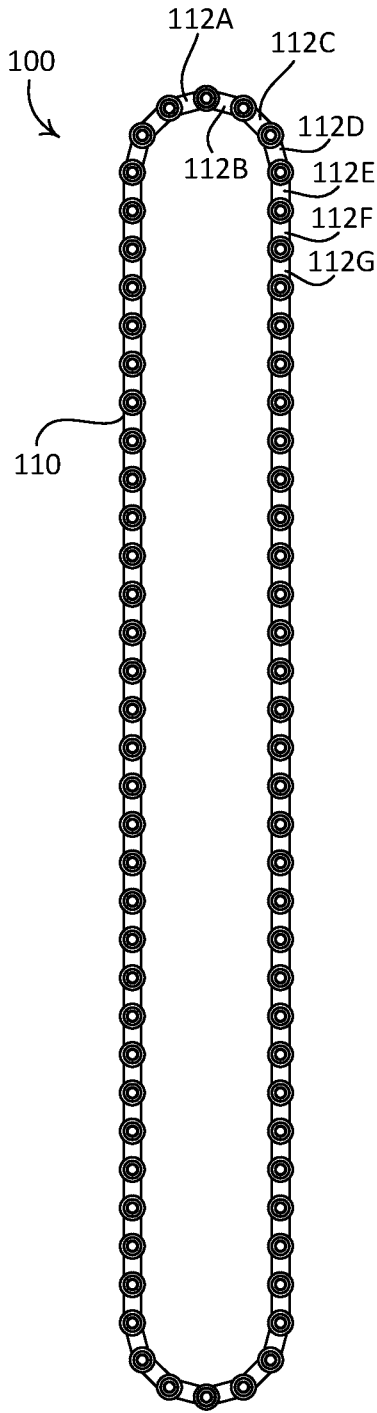


FIG. 2

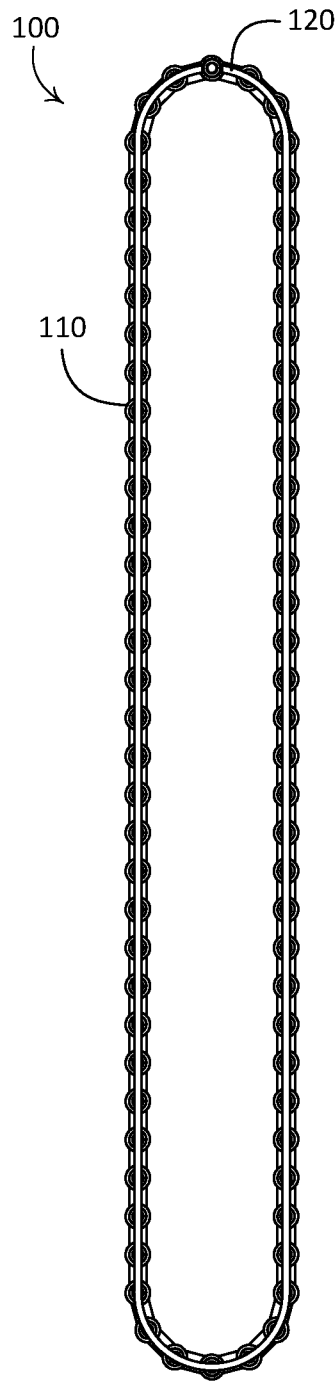


FIG. 3

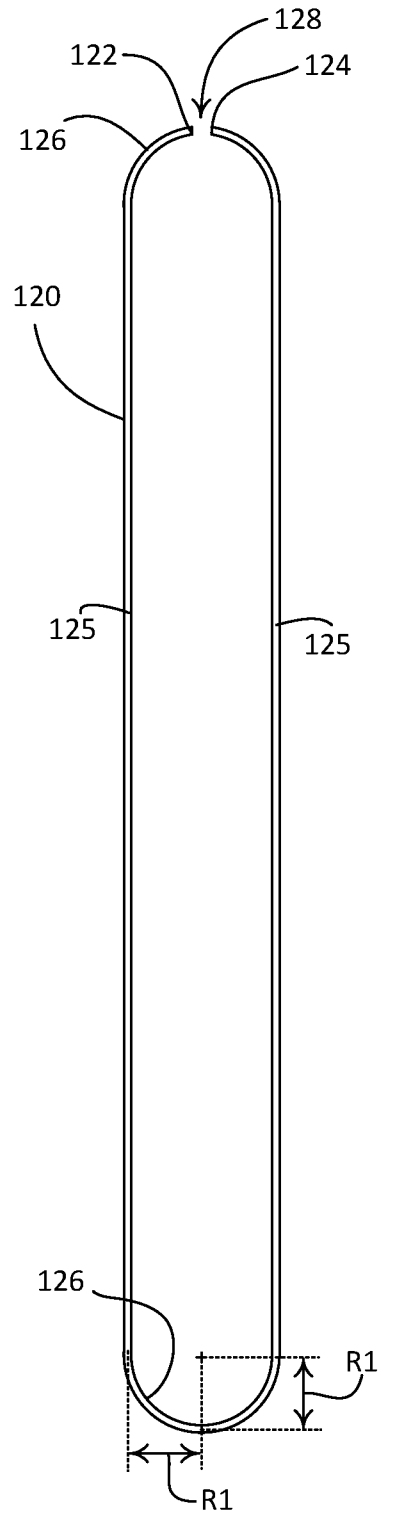


FIG. 4

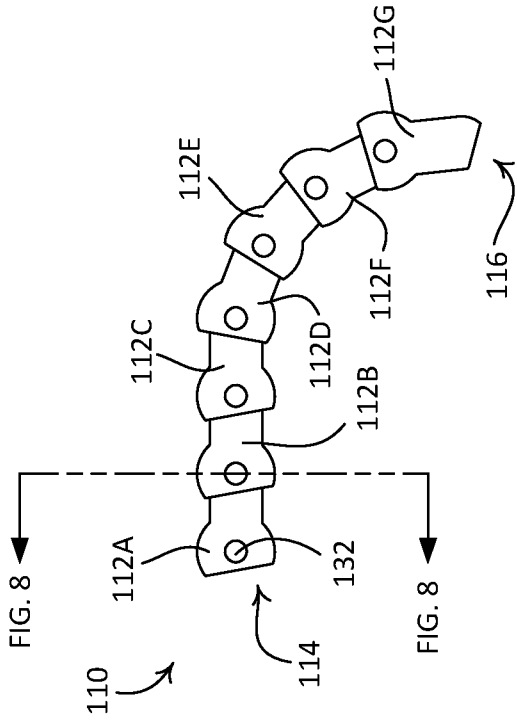


FIG. 6

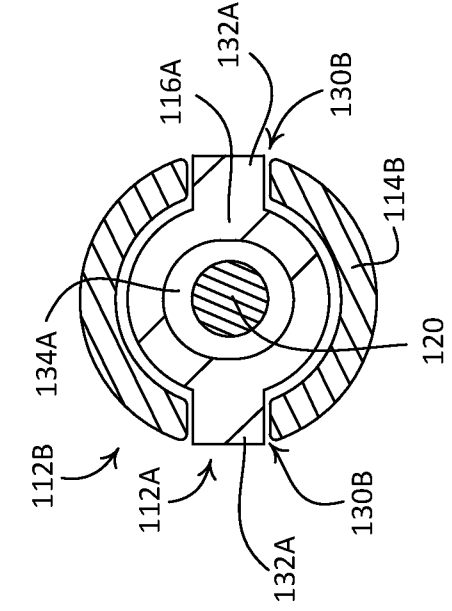


FIG. 8

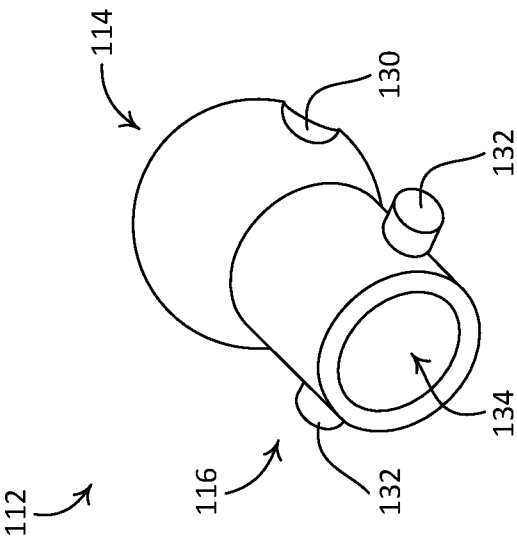


FIG. 5

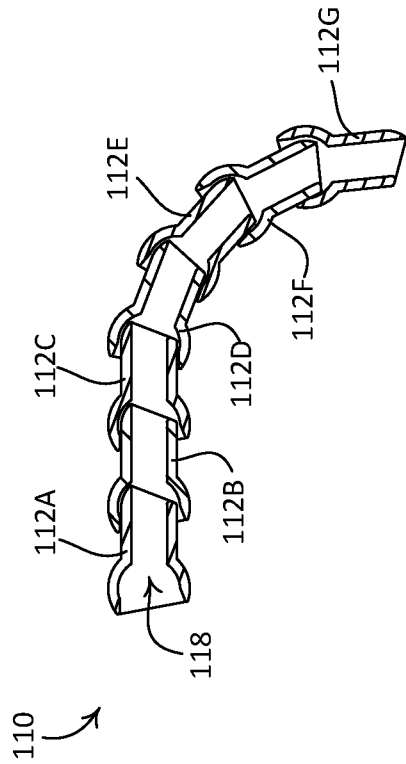


FIG. 7

