



US00D410892S

**United States Patent** [19]  
**Prior**

[11] **Patent Number: Des. 410,892**  
[45] **Date of Patent: \*\* Jun. 15, 1999**

[54] **BATTERY**

[75] Inventor: **Sean Prior**, Richmond, United Kingdom

[73] Assignee: **Nokia Mobile Phones Limited**, Espoo, Finland

[\*\*] Term: **14 Years**

[21] Appl. No.: **29/081,865**

[22] Filed: **Jan. 9, 1998**

[30] **Foreign Application Priority Data**

Jul. 18, 1997 [FI] Finland ..... 539/97

[51] **LOC (6) Cl.** ..... **13-02**

[52] **U.S. Cl.** ..... **D13/103**

[58] **Field of Search** ..... D13/103; 429/96-100, 429/167, 176

[56] **References Cited**

**U.S. PATENT DOCUMENTS**

D. 321,183	10/1991	Powell et al.	.....	D14/138
D. 328,733	8/1992	Seymour	.....	D13/103
D. 331,566	12/1992	Seymour	.....	D13/103
D. 346,580	5/1994	Tattari	.....	D13/103
D. 346,581	5/1994	Tattari	.....	D13/103
D. 349,882	8/1994	Johnson	.....	D13/103

D. 350,110	8/1994	Johnson	.....	D13/103
D. 357,896	5/1995	Berry	.....	D13/103
D. 358,127	5/1995	Berry	.....	D13/103
D. 358,128	5/1995	Berry et al.	.....	D13/103
D. 359,267	6/1995	Berry et al.	.....	D13/103
D. 361,309	8/1995	White	.....	D13/103
D. 366,452	1/1996	Lindahl	.....	D13/103
D. 380,728	7/1997	Richards et al.	.....	D13/103
D. 389,117	1/1998	Nuovo et al.	.....	D13/103
D. 395,277	6/1998	Finke-Anlauff	.....	D13/103

*Primary Examiner*—Joel Sincavage  
*Attorney, Agent, or Firm*—Perman & Green, LLP

[57] **CLAIM**

The ornamental design of a “battery”, as shown and described.

**DESCRIPTION**

FIG. 1 is a bottom plan view showing my new design; FIG. 2 is a right side elevational view thereof; FIG. 3 is a rear elevational view thereof; FIG. 4 is a left side elevational view thereof; FIG. 5 is a top plan view thereof; FIG. 6 is a front elevational view thereof; FIG. 7 is a rear, left side and top perspective view thereof; and, FIG. 8 is a front, right side and bottom perspective view.

**1 Claim, 3 Drawing Sheets**

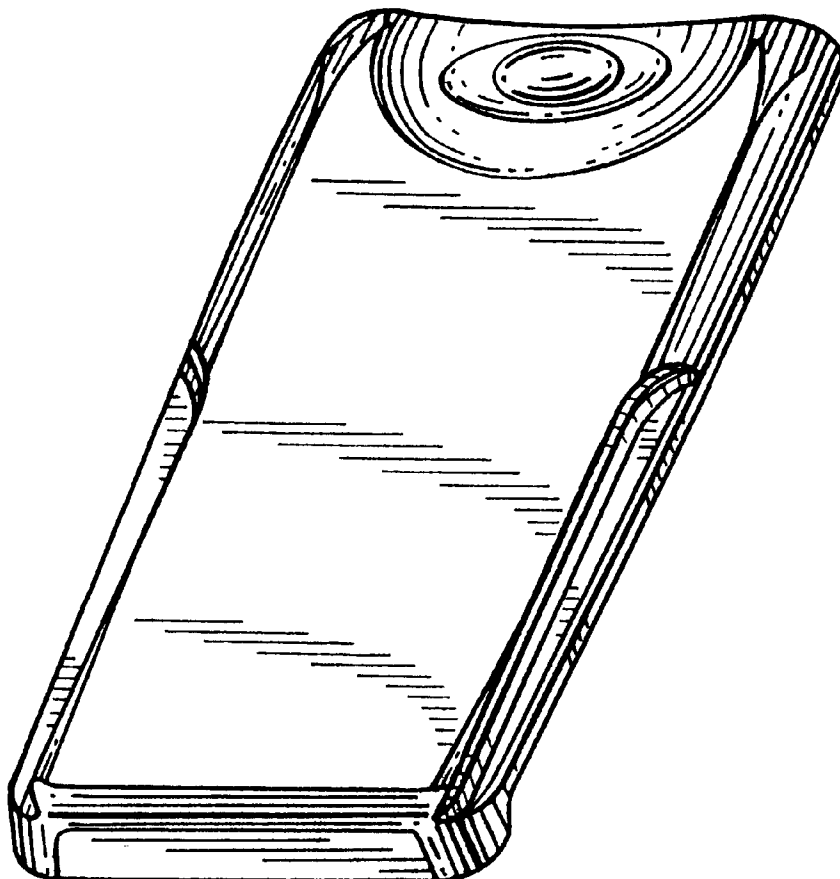


FIG. 1

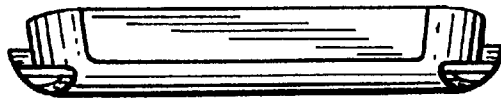


FIG. 2



FIG. 3

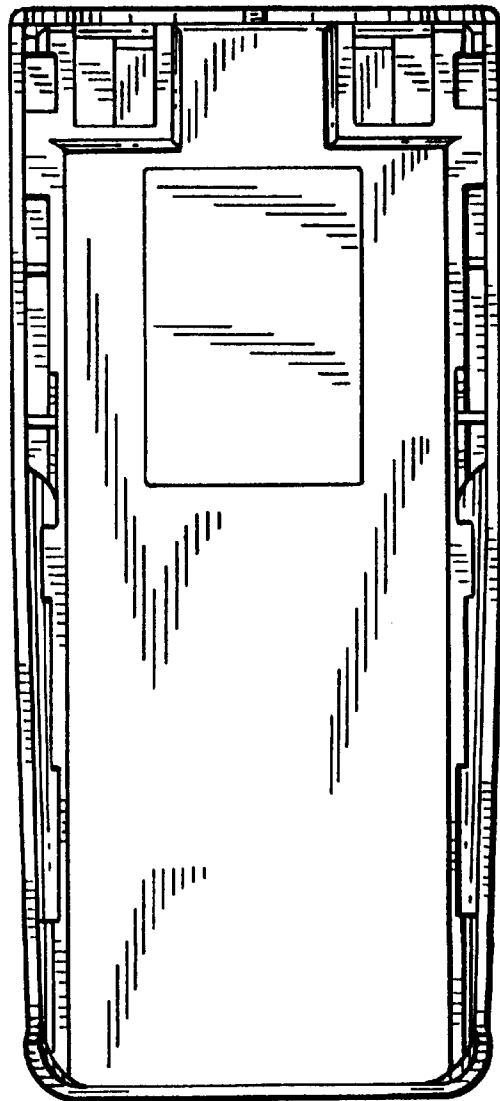




FIG. 4

FIG. 5

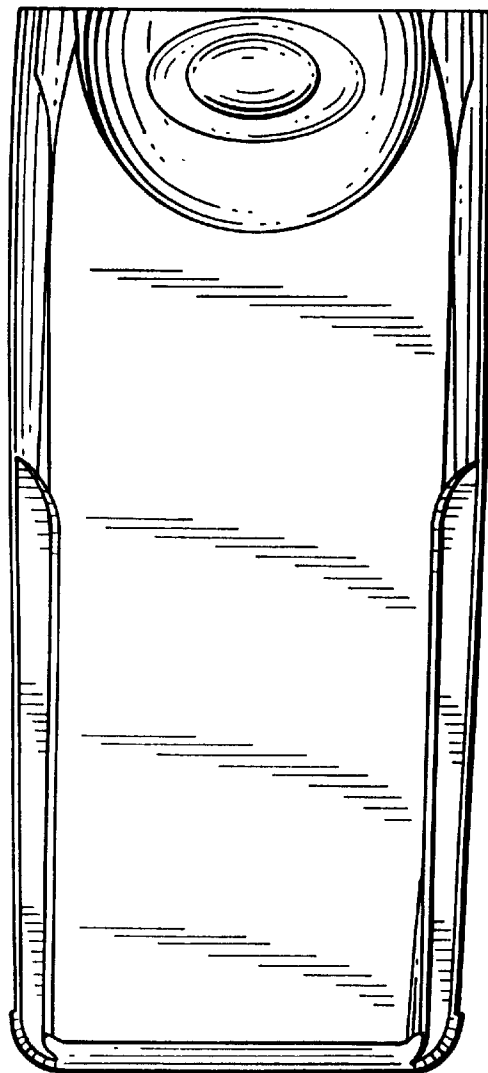


FIG. 6

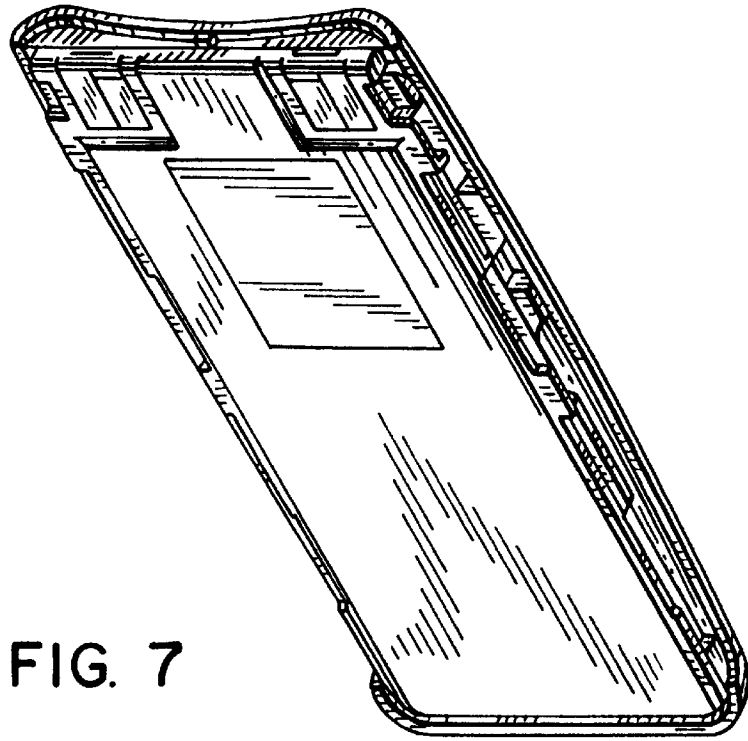


FIG. 7

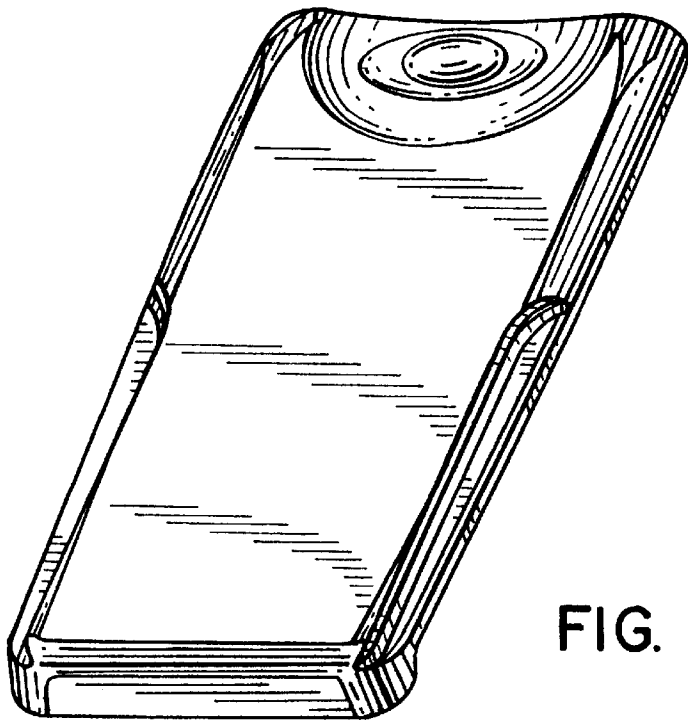


FIG. 8