

(19) World Intellectual Property Organization  
International Bureau



(43) International Publication Date  
14 October 2004 (14.10.2004)

PCT

(10) International Publication Number  
WO 2004/088935 A1

(51) International Patent Classification<sup>7</sup>: H04L 12/56

(21) International Application Number:  
PCT/IB2004/050352

(22) International Filing Date: 29 March 2004 (29.03.2004)

(25) Filing Language: English

(26) Publication Language: English

(30) Priority Data:  
03109022.2 1 April 2003 (01.04.2003) CN

(71) Applicant (for all designated States except US): KONINKLIJKE PHILIPS ELECTRONICS N.V. [NL/NL]; Groenewoudseweg 1, NL-5621 BA Eindhoven (NL).

(72) Inventors; and

(75) Inventors/Applicants (for US only): SUN, Li [CN/CN]; Philips Electronics China, 21/F Kerry Office Building

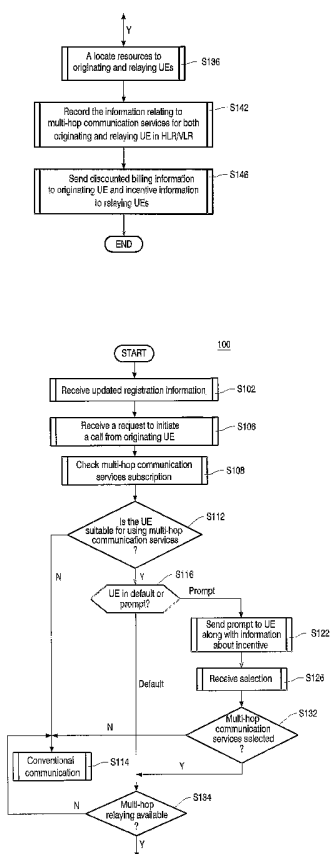
218 Tian Mu Xi Road, 200070 Shanghai (CN). MA, Ni [CN/CN]; Philips Electronics China, 21/F Kerry Office Building 218 Tian Mu Xi Road, 200070 Shanghai (CN). DU, Yonggang [DE/CN]; Philips Electronics China, 21/F Kerry Office Building 218 Tian Mu Xi Road, 200070 Shanghai (CN). NEIL, Bird [GB/NL]; Koninklijke Philips Electronics N.V., Prof. Holstlaan 4, NL-5656 AA Eindhoven (NL).

(74) Common Representative: KONINKLIJKE PHILIPS ELECTRONICS N.V.; c7O van der Veer, Johannis, L., Prof. Holstlaan 6, NL-5656 AA Eindhoven (NL).

(81) Designated States (unless otherwise indicated, for every kind of national protection available): AE, AG, AL, AM, AT, AU, AZ, BA, BB, BG, BR, BW, BY, BZ, CA, CH, CN, CO, CR, CU, CZ, DE, DK, DM, DZ, EC, EE, EG, ES, FI, GB, GD, GE, GH, GM, HR, HU, ID, IL, IN, IS, JP, KE, KG, KP, KR, KZ, LC, LK, LR, LS, LT, LU, LV, MA, MD, MG, MK, MN, MW, MX, MZ, NA, NI, NO, NZ, OM, PG,

[Continued on next page]

(54) Title: METHOD AND SYSTEM FOR MULTI-HOP COMMUNICATION MANAGEMENT IN WIRELESS COMMUNICATIONS NETWORKS



(57) Abstract: The present invention provides a wireless communication system capable of managing multi-hop communications. In one embodiment, upon receiving a request from a mobile terminal for initiating a call, the system determines whether the mobile terminal can use multi-hop communication services and its operating mode for multi-hop communication. The system also determines whether relaying can be provided by other mobile terminals. Then, the system will establish multi-hop communication between the mobile terminal and the system based on the operating mode of the mobile terminal. In a default mode, multi-hop communication can be established without the user's knowledge. In a prompt mode, however, the system sends a prompt to the mobile terminal for selection of the multi-hop communication services, along with information about incentives for using the services. After the multi-hop communication is completed, the system records information relating to the multi-hop communication services for the originating and relaying mobile terminals in the HLR/VLR.

WO 2004/088935 A1



PH, PL, PT, RO, RU, SC, SD, SE, SG, SK, SL, SY, TJ, TM, TN, TR, TT, TZ, UA, UG, US, UZ, VC, VN, YU, ZA, ZM, ZW.

- (84) Designated States** (unless otherwise indicated, for every kind of regional protection available): ARIPO (BW, GH, GM, KE, LS, MW, MZ, SD, SL, SZ, TZ, UG, ZM, ZW), Eurasian (AM, AZ, BY, KG, KZ, MD, RU, TJ, TM), European (AT, BE, BG, CH, CY, CZ, DE, DK, EE, ES, FI, FR, GB, GR, HU, IE, IT, LU, MC, NL, PL, PT, RO, SE, SI, SK, TR), OAPI (BF, BJ, CF, CG, CI, CM, GA, GN, GQ, GW, ML, MR, NE, SN, TD, TG).

**Declaration under Rule 4.17:**

- as to applicant's entitlement to apply for and be granted a patent (Rule 4.17(ii)) for the following designations AE, AG, AL, AM, AT, AU, AZ, BA, BB, BG, BR, BW, BY, BZ, CA, CH, CN, CO, CR, CU, CZ, DE, DK, DM, DZ, EC, EE, EG, ES, FI, GB, GD, GE, GH, GM, HR, HU, ID, IL, IN, IS,

JP, KE, KG, KP, KR, KZ, LC, LK, LR, LS, LT, LU, LV, MA, MD, MG, MK, MN, MW, MX, MZ, NA, NI, NO, NZ, OM, PG, PH, PL, PT, RO, RU, SC, SD, SE, SG, SK, SL, SY, TJ, TM, TN, TR, TT, TZ, UA, UG, UZ, VC, VN, YU, ZA, ZM, ZW, ARIPO patent (BW, GH, GM, KE, LS, MW, MZ, SD, SL, SZ, TZ, UG, ZM, ZW), Eurasian patent (AM, AZ, BY, KG, KZ, MD, RU, TJ, TM), European patent (AT, BE, BG, CH, CY, CZ, DE, DK, EE, ES, FI, FR, GB, GR, HU, IE, IT, LU, MC, NL, PL, PT, RO, SE, SI, SK, TR), OAPI patent (BF, BJ, CF, CG, CI, CM, GA, GN, GQ, GW, ML, MR, NE, SN, TD, TG)

**Published:**

- with international search report

For two-letter codes and other abbreviations, refer to the "Guidance Notes on Codes and Abbreviations" appearing at the beginning of each regular issue of the PCT Gazette.

## METHOD AND SYSTEM FOR MULTI-HOP COMMUNICATION MANAGEMENT IN WIRELESS COMMUNICATIONS NETWORKS

### BACKGROUND OF THE INVENTION

5           The invention relates generally to wireless communications systems, and more particularly to method and system for multi-hop communication management in wireless communication networks.

Wireless communication networks become increasingly popular nowadays for their provision of ubiquitous computing capability and information access  
10           regardless of the location. Currently, there are two types of wireless communication networks: infrastructure-based wireless communication networks, such as cellular phone networks, and infrastructure-less wireless communication networks, such as ad hoc wireless communication networks. In the infrastructure-based networks, the transmission range of a base station or an access point  
15           determines the size of a cell, and a mobile terminal within the cell can communicate directly with the base station or access point (in one hop). On the other hand, in the ad hoc wireless communication networks, the mobile terminals are self-organized and can communicate with each other even when they are out of the radio range of the base station or access point, provided they can reach  
20           each other via intermediate mobile terminals that forward the data from the source terminal to the destination terminal (in multi-hop). With their intrinsic characteristics, the ad hoc wireless communication networks have many potential applications, such as in personal area networks, military environment and search-and-rescue operations. However, large, pure ad hoc wireless communication  
25           networks are still far from deployment due to various technical and human limitations, while the infrastructure-based wireless communication networks are already a huge success.

With the advantages of multi-hop communication capability offered by the ad hoc wireless communication networks, the integration of multi-hop capability in conventional infrastructure-based wireless communication networks is a promising architecture upgrade that will help fulfill, to a large extent, the requirements of the very ambitious capacity, throughput, and coverage of the future wireless communication networks.

An infrastructure-based, multi-hop enabled wireless communication network provides many advantages. With relaying provided by one or more mobile terminals near a cell border, the cell coverage can be further extended. Moreover, relaying can improve signal quality when line-of-sight link is not available and can reduce dead spots, which is particularly important in emergency situations. In addition, since research shows the system capacity is inverse proportional to the total transmission power and the transmission power is inverse proportional to the transmission distance to the  $n^{\text{th}}$  power, an increase in the number of hops between the source and destination will result in a decrease in the interference and thus an increase in the system capacity.

In recent years, various infrastructure-based, multi-hop enabled wireless communication networks, such as the Opportunity Driven Multiple Access (ODMA) concept in 3GPP, and the coverage extension for HIPERLAN2 through multi-hop, etc., have been proposed. However, the multi-hop technology is far from being practically deployed because of many challenges, especially the lack of a feasible multi-hop communication management scheme to attract the attention of both mobile operators and mobile users.

Therefore, there is a need for an effective scheme for managing multi-hop communications in infrastructure-based wireless communication networks.

## SUMMARY OF THE INVENTION

The present invention provides an effective scheme for managing multi-hop communications in infrastructure-based wireless communication networks.

According to one embodiment of the invention, a wireless communication system capable of managing multi-hop communications is provided. In this embodiment, upon receiving a request from an originating mobile terminal for initiating a call to a receiving mobile terminal, the system determines whether the originating mobile terminal can use multi-hop communication services and an operating mode of the originating mobile terminal for multi-hop communication. The system also determines whether relaying can be provided by one or more relaying mobile terminals for multi-hop communication by the originating mobile terminal. If the originating mobile terminal can use the multi-hop communication services, the originating mobile terminal is in the default mode, and the relaying can be provided, the system establishes multi-hop communication between the originating mobile terminal and the system. On the other hand, if the originating mobile terminal is in a prompt mode for multi-hop communication, the system sends a prompt to the originating mobile terminal for selection of the multi-hop communication services, along with information about incentives for using the services. If it selects the multi-hop communication services, the system allocates resources for setting up a multi-hop communication link between the originating mobile terminal and the system.

After the multi-hop communication is completed, the system records information relating to the multi-hop communication services for the originating and relaying mobile terminals in at least one of a home location register and a visitor location register. The system also sends discounted billing information to the originating mobile terminal and incentive information to the relaying mobile terminals.

Other objects and attainments together with a fuller understanding of the invention will become apparent and appreciated by referring to the following description and claims taken in conjunction with the accompanying drawings.

## BRIEF DESCRIPTION OF THE DRAWINGS

The invention is explained in further detail, and by way of example, with reference to the accompanying drawings wherein:

5 FIG. 1 shows an overview of multi-hop communication in an infrastructure-based, multi-hop enabled wireless communication network, according to one embodiment of the invention;

FIG. 2 illustrates a process performed by a wireless communication network for managing multi-hop communications, according to one embodiment of the invention;

10 FIG. 3 illustrates a process performed by a mobile terminal for providing relaying to another mobile terminal in multi-hop communication, according to one embodiment of the invention; and

FIG. 4 illustrates basic components of a mobile terminal in accordance with one embodiment of the invention.

15 Throughout the drawings, the same reference numerals indicate similar or corresponding features or functions.

## DETAILED DESCRIPTION OF THE PREFERRED EMBODIMENTS

20 FIG. 1 shows an overview of multi-hop communication in an infrastructure-based, multi-hop enabled wireless communication network (e.g., a Universal Terrestrial Radio Access Network (UTRAN) and a 3GPP core network), according to one embodiment of the invention. The UTRAN comprises a radio network controller (RNC) 10 responsible for radio resource allocation and management and a Node B 16, which is a base station transceiver. The UTRAN is connected to a core network (CN) 20, which is responsible for high layer signaling and data

interaction. Home Location Register (HLR) and Visitor Location Register (VLR) 26 typically located in CN 20 are responsible for recording information about mobile users and related services.

5 A mobile terminal 31 or user equipment UE1 communicates with Node B 16 with the relaying provided by mobile terminals 32 and 33 (UE2 and UE3). In this example, the direct link between the source and destination is broken into 3 hops. Therefore, 3 radio resource units are needed to maintain the basic communication between UE1 and Node B 16. More detailed descriptions of the multi-hop communication in an infrastructure-based wireless communication network are provided in an article entitled "Self-organisation in Future Mobile Communications" 10 by A. G. Spilling, A. R. Nix, M. A. Beach and T. J. Harrold, published by Electronic and Communication Engineering Journal in June 2000, and also in an article entitled "Intelligent Relaying for Future Personal Communication Systems" by T. J. Harrold and A. R. Nix, published by the Institution of Electrical Engineers (IEE) in 15 2000. The disclosures of these two articles are hereby incorporated by reference.

FIG. 2 illustrates a process 100 performed by a wireless communication system, e.g., a UTRAN, for managing multi-hop communications, according to one embodiment of the invention. The various steps of process 100 are preferably implemented with software modules.

20 After a user has switched on a UE, the UE searches in a cell for signals from the UTRAN, via a Broadcasting Control Channel (BCCH). The UTRAN will receive updated registration information from the UE (step S102). If the user has already subscribed multi-hop communication services, the user can set (or preset) an operating mode for the multi-hop communication services as either a default mode or a prompt mode. In the default mode, when the UE originates a call, the multi-hop communication services are automatically selected as a first choice for communication. On the other hand, in the prompt mode, when the UE originates a call, the UE will receive a prompt from the UTRAN for selecting the multi-hop 25

communication services. Each of the two modes may be set for a specific time duration.

When the UE originates a call, it first sends a request to the UTRAN to initiate the call. The request may include a multi-hop connect request. After receiving the request to initiate the call (step S106), the UTRAN may also automatically attempt to set up a multi-hop communication link between the originating UE and itself, regardless of whether there is a multi-hop connect request from the UE. The UTRAN will first check whether the UE has subscribed the mutli-hop communication services (step S108). Then, the UTRAN determines whether the UE is suitable for using the multi-hop communication services (step S112). If the UE is not suitable because of, for example, the UE is not within a multi-hop communication supported radio range or one of the communicating UEs is moving at a high speed, then the UTRAN will provide the conventional communication services to the UE (step 114).

On the other hand, if the UE is suitable for using the multi-hop communication services, the UTRAN will determine whether the UE is in a default or prompt mode for the multi-hop communication services (step S116). If the UE is in the prompt mode, the UTRAN sends a prompt to the UE, along with information about the incentive to encourage the user to use the multi-hop communication services (step S122). The incentive may be in the form of a discount, a rebate or promotional coupons, and include information about battery savings as a result of using multi-hop communication services. The discount may be calculated based on the statistical benefits resulting from the system capacity increase and the overall interference decrease. The discount rate may also be calculated based on the number of hops supporting the communication link. The more the number of hops is used, the more the system capacity is increased. Additionally, the discount rate may vary in accordance with the actual traffic load conditions or the interference during a predetermined time duration. For example, if the traffic load is very heavy, the discount rate for the multi-hop communication services may be higher.



After the UTRAN receives a selection from the UE (step S126), it determines whether the UE has selected the multi-hop communication services (step S132). If the UE fails to select the multi-hop communication services because of the QoS (Quality of Service) concerns in the case of an important call for example, the UTRAN will provide the UE with the conventional communication services (step S114). On the other hand, if the UE has selected the multi-hop communication services or the UE is already in the default mode for using the multi-hop communication services, the UTRAN will determine whether multi-hop relaying by other UEs is available for completing the call (step S134) and send information about incentive for providing relaying to the available UEs. If relaying is not available, the UTRAN will provide the conventional communication services to the UE (step S114). Otherwise, the UTRAN allocates resources to the originating and relaying UEs to allow the UE to start the multi-hop communication with the UTRAN (step S136).

After the multi-hop communication is completed and the multi-hop communication resources are released, the UTRAN records the information relating to the multi-hop communication services for both the originating and relaying UEs in a Home Location Register (HLR) or a Visitor Location Register (VLR) (step S142). The UTRAN also sends the discounted billing information to the originating UE and incentive information to the relaying UEs to allow the users to immediately view the information (step S146).

The UTRAN performs steps similar to those in FIG. 2 for determining whether multi-hop communication services should be provided to a receiving UE.

FIG. 3 illustrates a process 200 performed by a UE for providing relaying to another UE in multi-hop communication, according to one embodiment of the invention. The various steps of process 200 are preferably implemented with software modules.

After a user has switched on a UE (step S202), the UE searches in a cell for signals from the UTRAN, via a Broadcasting Control Channel (BCCH). The user can set (or preset) a relaying mode as a default relaying mode, a prompt relaying mode or a disabled relaying mode for providing relaying to other UEs in multi-hop communications (step S206). In the default relaying mode, the UE automatically provides relaying services upon receiving a request from the UTRAN. In the prompt relaying mode, however, the UE will receive a prompt from the UTRAN for deciding whether or not to provide relaying services. In the disabled relaying mode, the UE is disabled from providing relaying services. Each of these three relaying modes can be set for a predetermined time duration.

Then the UE sends updated registration information to the UTRAN, including information about whether the UE is in a virtual switched-off mode or an idle mode (step S212). In the virtual switched-off mode, the UE is powered on but cannot originate or receive calls, and the network can make use of the UE for relaying in multi-hop communication without the user's knowledge. Thus, a mobile user can have the UE turned off (e.g., during sleeping), but the UE can be used for providing relaying services in multi-hop communications and earn money for the user. In the idle mode, the UE can originate and receive calls, and provide relaying for multi-hop communications.

The UE checks whether itself is in a disabled relaying mode (step S214). If it is in the disabled mode, the UE rejects all requests for relaying services. If it is not in a disabled relaying mode, the UE checks to see if there is a request for relaying (step S226). If no request is received, the UE determines whether itself is in a default relaying mode or a prompt relaying mode (step S232). If it is in the default relaying mode, the UE responds to the UTRAN and provides relaying as requested (step S236). On the other hand, if the UE is in the prompt relaying mode, the UE receives a prompt from the UTRAN (step S242), along with information about incentive for providing relaying. The incentive may be in the form of redeemable points based on the time duration during which the relaying is provided. The UE then determines whether the user has chosen to provide

relaying in multi-hop communication (step S246). If so, the UE will respond to the UTRAN and provide relaying as requested (step S236).

5 In the case of an emergency call that may be indicated by a special signal, forwarding the emergency call should be mandatory and default for all mobile terminals that have subscribed multi-hop communication services as users or registered for providing relaying services in multi-hop communications. The wireless communication system will process emergency calls on a first-come-first-serve basis.

10 In FIGS. 2 and 3 above, the various steps may be implemented with software modules or a combination of software and hardware modules. In a preferred embodiment of the invention, the hardware of the existing UTRAN and UEs remains unchanged, while the various steps in FIGS. 2 and 3 are all implemented with software modules.

15 FIG. 4 illustrates basic components of a mobile terminal 300 in accordance with one embodiment of the invention. Mobile terminal 300 includes an antenna 301, a RF unit 302, a baseband processor 306, a memory 312, a data processing unit 316, and a man-machine interface (MMI) 322. MMI 322 is typically in the form of a menu on a display and includes a virtual switched-off indicator 324 that shows whether the virtual switched-off mode of mobile terminal 300 is activated.

20 In the above, the invention has been illustrated in conjunction with a UTRAN. However, it is not limited to the UTRAN. In fact, any wireless network system may be used in conjunction with the present invention.

25 While the invention has been described in conjunction with specific embodiments, it is evident that many alternatives, modifications and variations will be apparent to those skilled in the art in light of the foregoing description. Accordingly, it is intended to embrace all such alternatives,

modifications and variations as fall within the spirit and scope of the appended claims.

**WHAT IS CLAIMED IS:**

1. A method performed by a wireless communication system for managing multi-hop communications, the method comprising the steps of:

5 (a) receiving a request from an originating mobile terminal for initiating a call to a receiving mobile terminal;

(b) determining whether the originating mobile terminal can use multi-hop communication services;

(c) determining an operating mode of the originating mobile terminal for multi-hop communication;

10 (d) determining whether relaying can be provided by one or more relaying mobile terminals for multi-hop communication by the originating mobile terminal; and

(e) if the originating mobile terminal can use the services, the originating mobile terminal is in the default mode, and the relaying can be provided,  
15 establishing multi-hop communication between the originating mobile terminal and the system.

2. The method of claim 1, wherein step (b) includes the steps of:

(i) determining whether the originating mobile terminal has subscribed multi-hop communication services; and

20 (ii) if the originating mobile terminal has subscribed the multi-hop communication services, determining whether the originating mobile terminal is suitable for using the multi-hop communication services.

3. The method of claim 1, further comprising the step of:

25 if the originating mobile terminal is in a prompt mode for multi-hop communication, sending a prompt to the originating mobile terminal for selection of

the multi-hop communication services, along with information about incentives for using the services.

4. The method of claim 3, wherein step (e) includes the step of:

5 if the originating mobile terminal in the prompt mode selects the multi-hop communication services, allocating resources for setting up a multi-hop communication link between the originating mobile terminal and the system.

5. The method of claim 1, 2, 3 or 4, further comprising the step of:

10 after the multi-hop communication is completed, recording information relating to the multi-hop communication services for the originating and relaying mobile terminals in at least one of a home location register and a visitor location register.

6. The method of claim 5, further comprising the step of:

15 after the multi-hop communication is completed, sending discounted billing information to the originating mobile terminal and incentive information to the relaying mobile terminals.

7. The method of claim 3, further comprising the step of providing conventional communication services to the originating mobile terminal, if the originating mobile terminal cannot use multi-hop communication services, the relaying cannot be provided, or the originating mobile terminal in the prompt mode fails to select the multi-hop communication services.

8. The method of claim 3, further comprising the step of calculating the incentives to the originating mobile terminal based on statistical benefits resulting from at least one of an increase in system capacity and an decrease in overall interference.

25 9. The method of claim 3, further comprising the step of calculating the incentives to the originating mobile terminal based on the number of hops used to support the multi-hop communication link.

10. The method of claim 3, further comprising the step of calculating the incentives to the originating mobile terminal in accordance with actual traffic load conditions and interference for a predetermined time duration.

5 11. A method performed by a wireless communication system in response to a request from an originating mobile terminal for initiating a call to a receiving mobile terminal, the method comprising the steps of:

(a) determining whether the receiving mobile terminal can use multi-hop communication services;

10 (b) determining an operating mode of the receiving mobile terminal for multi-hop communication;

(c) determining whether relaying can be provided by one or more relaying mobile terminals for multi-hop communication by the receiving mobile terminal; and

15 (d) if the receiving mobile terminal can use the services, the receiving mobile terminal is in the default mode, and the relaying can be provided, establishing multi-hop communication between the receiving mobile terminal and the system.

12. The method of claim 11, wherein step (a) includes the steps of:

20 (i) determining whether the receiving mobile terminal has subscribed multi-hop communication services; and

(ii) if the receiving mobile terminal has subscribed the multi-hop communication services, determining whether the receiving mobile terminal is suitable for using the multi-hop communication services.

13. The method of claim 11, further comprising the step of:

25 if the receiving mobile terminal is in a prompt mode for multi-hop communication, sending a prompt to the receiving mobile terminal for selection of

the multi-hop communication services, along with information about incentives for using the services.

14. The method of claim 13, wherein step (d) includes the step of:

5 if the receiving mobile terminal in the prompt mode selects the multi-hop communication services, allocating resources for setting up a multi-hop communication link between the receiving mobile terminal and the system.

15. The method of claim 11, 12, 13 or 14, further comprising the step of:

10 after the multi-hop communication is completed, recording information relating to the multi-hop communication services for the receiving and relaying mobile terminals in at least one of a home location register and a visitor location register.

16. The method of claim 15, further comprising the step of:

15 after the multi-hop communication is completed, sending discounted billing information to the receiving mobile terminal and incentive information to the relaying mobile terminals.

17. The method of claim 13, further comprising the step of providing conventional communication services to the receiving mobile terminal, if the receiving mobile terminal cannot use multi-hop communication services, the relaying cannot be provided, or the receiving mobile terminal in the prompt mode  
20 fails to select the multi-hop communication services.

18. The method of claim 13, further comprising the step of calculating the incentives to the receiving mobile terminal based on statistical benefits resulting from at least one of an increase in system capacity and an decrease in overall interference.

25 19. The method of claim 13, further comprising the step of calculating the incentives to the receiving mobile terminal based on the number of hops used to support the multi-hop communication link.



20. The method of claim 13, further comprising the step of calculating the incentives to the receiving mobile terminal in accordance with actual traffic load conditions and interference for a predetermined time duration.

21. A method performed by a mobile terminal, comprising the steps of:

5 (a) checking whether there is a request from a wireless communication system for providing relaying in multi-hop communication;

(b) if there is a request for relaying, determining a relaying mode of the mobile terminal for multi-hop communication;

10 (c) if the mobile terminal is in a prompt relaying mode, checking whether a prompt for relaying has been received from the wireless communication system;

(d) if the prompt has been received, determining whether a user of the mobile terminal has chosen to provide relaying; and

(e) if the user has chosen to provide the relaying, providing the relaying.

15 22. The method of claim 21, further comprising the step of, if the mobile terminal is in a default mode, providing the relaying.

23. The method of claim 21 or 22, further comprising the step of, before step (a), checking whether the mobile terminal is in an idle mode; and wherein step (a) is performed if the mobile terminal is in an idle mode.

24. The method of claim 21 or 22, further comprising the steps of:

20 before step (a) determining whether the mobile terminal is in a disabled relaying mode; and

if the mobile terminal is in the disabled relaying mode, rejecting any request for relaying.

25 25. A wireless communication system capable of managing multi-hop communications, comprising:

means for receiving a request from an originating mobile terminal for initiating a call to a receiving mobile terminal;

means for determining whether the originating mobile terminal can use multi-hop communication services;

5 means for determining an operating mode of the originating mobile terminal for multi-hop communication;

means for determining whether relaying can be provided by one or more relaying mobile terminals for multi-hop communication by the originating mobile terminal; and

10 means for establishing multi-hop communication between the originating mobile terminal and the system;

wherein the establishing means establishes the multi-hop communication if the originating mobile terminal can use the services, the originating mobile terminal is in the default mode, and the relaying can be provided.

15 26. The system of claim 25, wherein whether the originating mobile terminal can use multi-hop communication services is determined based on whether the originating mobile terminal has subscribed multi-hop communication services and whether the originating mobile terminal is suitable for using the multi-hop communication services.

20 27. The system of claim 25, further comprising means for sending; wherein if the originating mobile terminal is in a prompt mode for multi-hop communication, the sending means sends a prompt to the originating mobile terminal for selection of the multi-hop communication services, along with information about incentives for using the services.

25 28. The system of claim 27, wherein the establishing means includes means for allocating resources, and wherein if the originating mobile terminal in the prompt mode selects the multi-hop communication services, the allocating

means allocates resources for setting up a multi-hop communication link between the originating mobile terminal and the system.

5 29. The system of claim 25, 26, 27 or 28, further comprising means for recording; wherein after the multi-hop communication is completed, the recording means records information relating to the multi-hop communication services for the originating and relaying mobile terminals in at least one of a home location register and a visitor location register.

10 30. The system of claim 27, wherein after the multi-hop communication is completed, the sending means sends discounted billing information to the originating mobile terminal and incentive information to the relaying mobile terminals.

15 31. The system of claim 27, further comprising means for calculating the incentives to the originating mobile terminal based on statistical benefits resulting from at least one of an increase in system capacity and an decrease in overall interference.

32. The system of claim 27, further comprising means for calculating the incentives to the originating mobile terminal based on the number of hops used to support the multi-hop communication link.

20 33. The system of claim 25, 26, 27, 28, 30, 31 or 32, wherein the three determining means respectively determines:

whether the receiving mobile terminal can use multi-hop communication services;

an operating mode of the receiving mobile terminal for multi-hop communication; and

25 whether relaying can be provided by one or more relaying mobile terminals for multi-hop communication by the receiving mobile terminal; and

wherein the establishing means establishes the multi-hop communication between the receiving mobile terminal and the system if the receiving mobile terminal can use the services, the receiving mobile terminal is in the default mode, and the relaying can be provided.

1/5

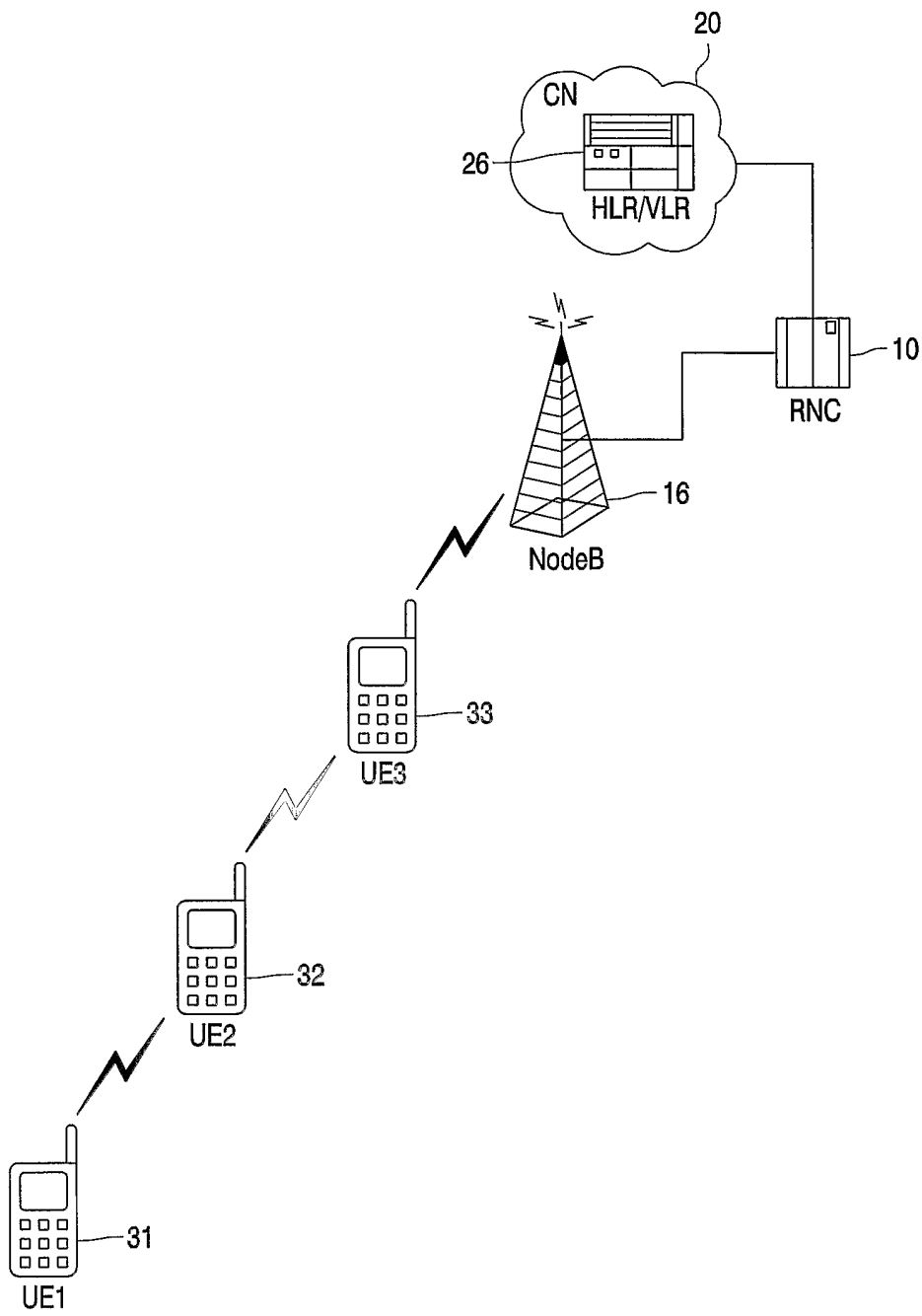
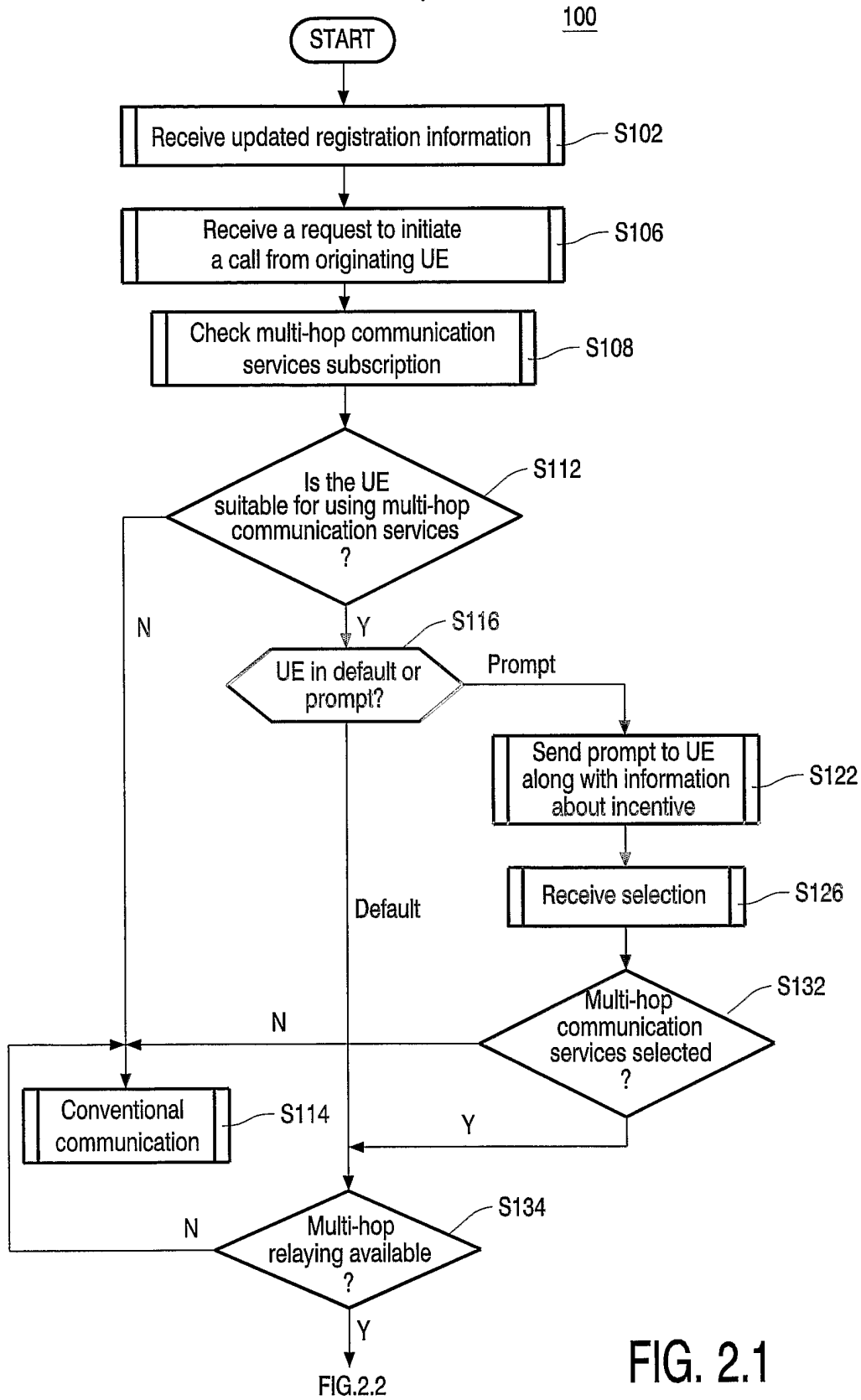


FIG. 1

2/5



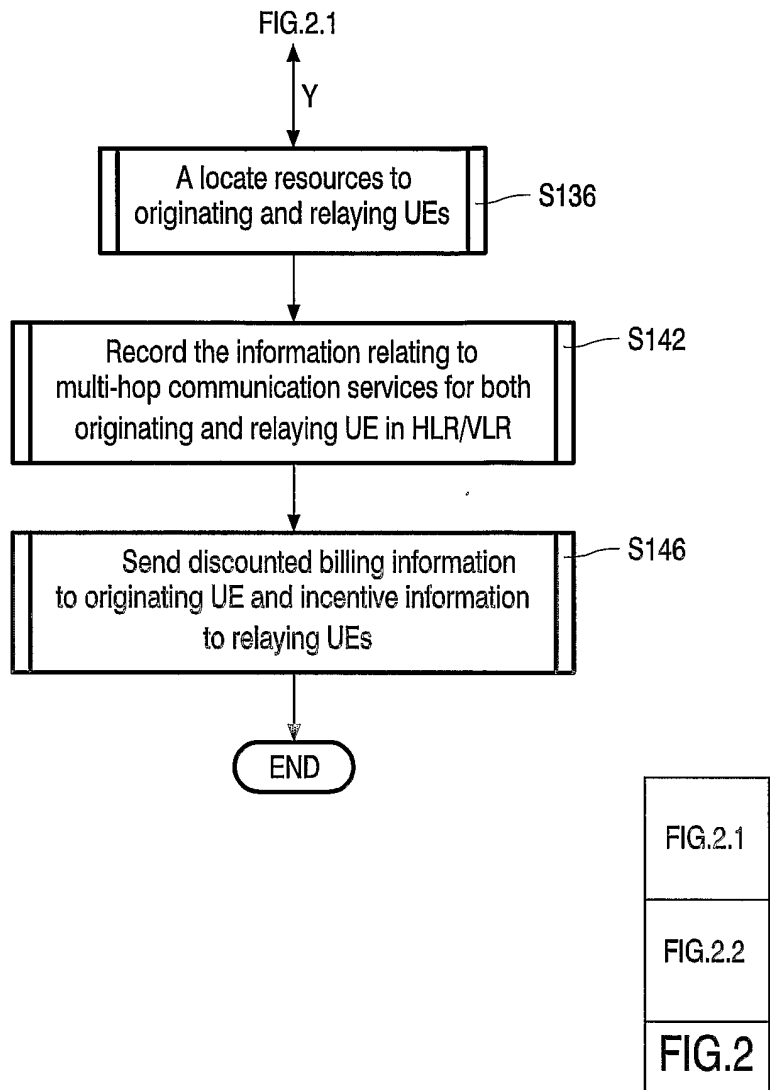


FIG. 2.2

4/5

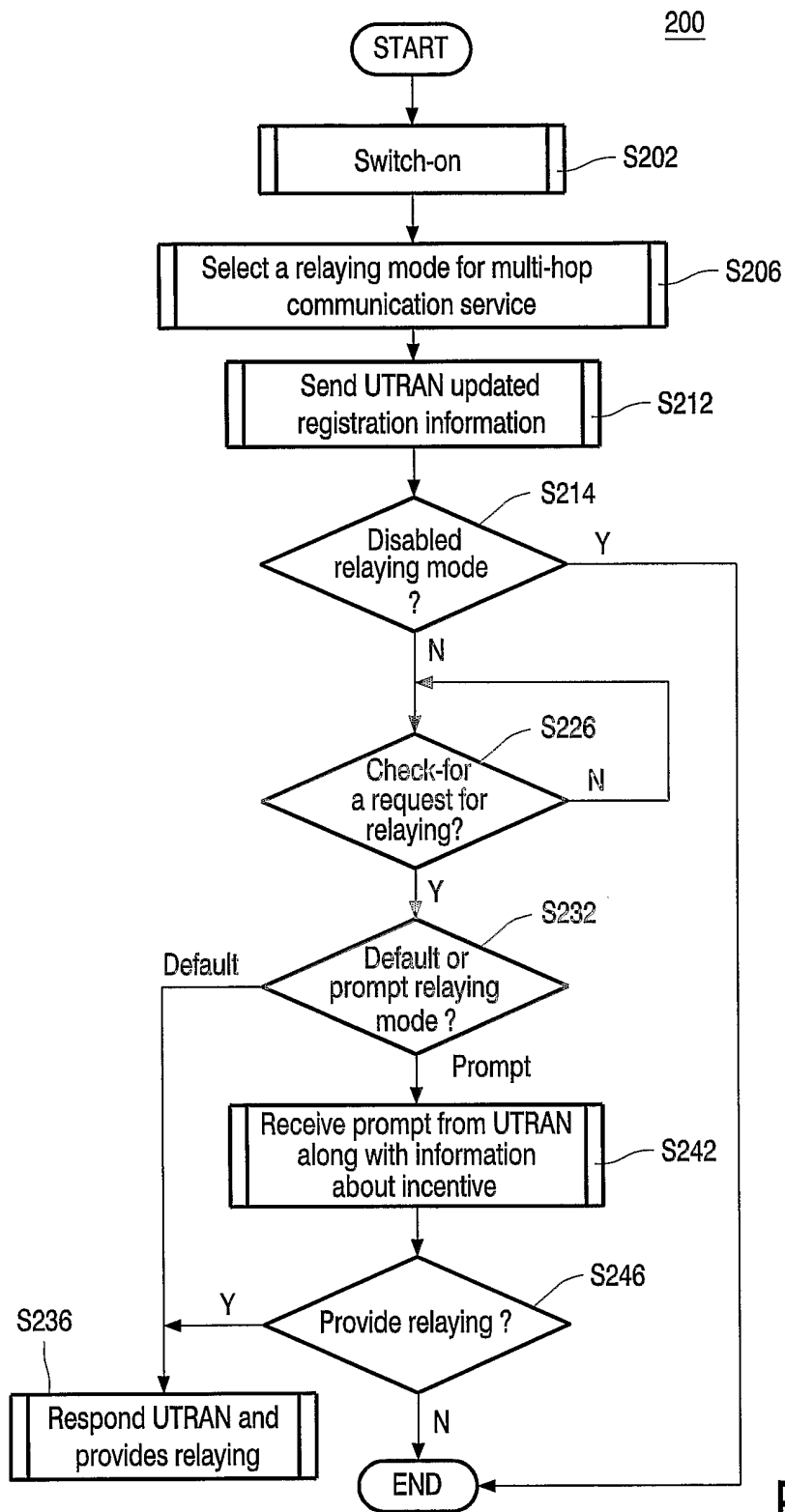


FIG. 3



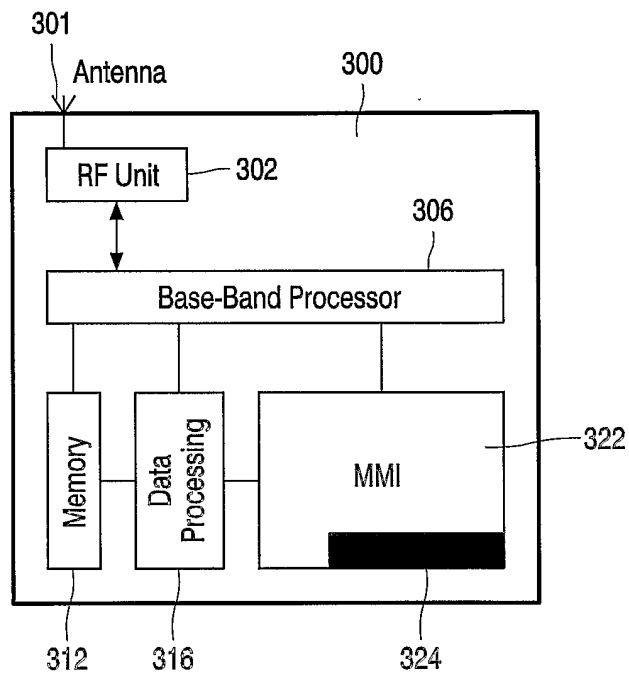


FIG. 4

# INTERNATIONAL SEARCH REPORT

International Application No  
PCT/IB2004/050352

**A. CLASSIFICATION OF SUBJECT MATTER**  
IPC 7 H04L12/56

According to International Patent Classification (IPC) or to both national classification and IPC

**B. FIELDS SEARCHED**

Minimum documentation searched (classification system followed by classification symbols)  
IPC 7 H04L

Documentation searched other than minimum documentation to the extent that such documents are included in the fields searched

Electronic data base consulted during the international search (name of data base and, where practical, search terms used)

EPO-Internal, PAJ, WPI Data, COMPENDEX

**C. DOCUMENTS CONSIDERED TO BE RELEVANT**

Category °	Citation of document, with indication, where appropriate, of the relevant passages	Relevant to claim No.
Y	WO 02/080405 A (PEARSON IAN DAVID ;BRITISH TELECOMM (GB)) 10 October 2002 (2002-10-10) page 1, line 4 - line 5 page 2, line 22 - line 33 page 3, line 32 -page 4, line 26 page 5, line 24 -page 8, line 3 page 9, line 20 -page 10, line 25 page 11, line 28 -page 12, line 23 figures 1-3 <div style="text-align: center; margin-top: 10px;">                         ---                          -/--                     </div>	1-33

Further documents are listed in the continuation of box C.

Patent family members are listed in annex.

° Special categories of cited documents :

- "A" document defining the general state of the art which is not considered to be of particular relevance
- "E" earlier document but published on or after the international filing date
- "L" document which may throw doubts on priority claim(s) or which is cited to establish the publication date of another citation or other special reason (as specified)
- "O" document referring to an oral disclosure, use, exhibition or other means
- "P" document published prior to the international filing date but later than the priority date claimed

- "T" later document published after the international filing date or priority date and not in conflict with the application but cited to understand the principle or theory underlying the invention
- "X" document of particular relevance; the claimed invention cannot be considered novel or cannot be considered to involve an inventive step when the document is taken alone
- "Y" document of particular relevance; the claimed invention cannot be considered to involve an inventive step when the document is combined with one or more other such documents, such combination being obvious to a person skilled in the art.
- "&" document member of the same patent family

Date of the actual completion of the international search

6 July 2004

Date of mailing of the international search report

13/07/2004

Name and mailing address of the ISA

European Patent Office, P.B. 5818 Patentlaan 2  
 NL - 2280 HV Rijswijk  
 Tel. (+31-70) 340-2040, Tx. 31 651 epo nl,  
 Fax: (+31-70) 340-3016

Authorized officer

Rosenauer, H

## INTERNATIONAL SEARCH REPORT

International Application No  
PCT/IB2004/050352

C.(Continuation) DOCUMENTS CONSIDERED TO BE RELEVANT		
Category °	Citation of document, with indication, where appropriate, of the relevant passages	Relevant to claim No.
Y	<p>WO 02/51038 A (BENSON MAYA ;KOURTIS STAMATIS (GB); MOTOROLA INC (US); KOTZIN MICH) 27 June 2002 (2002-06-27) page 1, line 1 - line 6 page 4, line 1 - line 25 page 5, line 1 - line 30 page 6, line 19 -page 9, line 19 figures 1-3</p>	1-33
A	<p>US 2002/187746 A1 (LIN PHONE ET AL) 12 December 2002 (2002-12-12) page 1, paragraph 1 page 2, paragraph 13 - paragraph 14 page 3, paragraph 33 -page 4, paragraph 40 figures 5-7</p>	1-33
E	<p>EP 1 416 754 A (NTT DOCOMO INC) 6 May 2004 (2004-05-06) column 2, line 52 -column 3, line 25 column 4, line 17 - line 40 column 5, line 52 -column 6, line 30 column 7, line 17 - line 46 figure 5</p>	11
A	<p>HARROLD T J ET AL: "Capacity enhancement using intelligent relaying for future personal communication systems" VTC 2000, vol. 5, 24 September 2000 (2000-09-24), pages 2115-2120, XP010522161 the whole document</p>	1-33
A	<p>EP 1 294 135 A (MOTOROLA INC) 19 March 2003 (2003-03-19) column 1, line 5 - line 9 column 6, line 22 - line 33 column 17, line 30 - line 52 figure 1</p>	1-33
X	<p>WO 03/015445 A (NAKAGAWA TOMOHIRO ;SUGIMURA TOSHIKI (JP); ISODA YOSHINORI (JP); N) 20 February 2003 (2003-02-20) page 3, line 14 - line 25 page 5, line 7 - line 13 page 6, line 24 -page 7, line 20 page 8, line 18 -page 9, line 9</p>	11

## INTERNATIONAL SEARCH REPORT

 International Application No  
 PCT/IB2004/050352

Patent document cited in search report		Publication date	Patent family member(s)	Publication date
WO 02080405	A	10-10-2002	CA 2442269 A1 EP 1374449 A1 WO 02080405 A1	10-10-2002 02-01-2004 10-10-2002
WO 0251038	A	27-06-2002	GB 2375920 A AU 1404602 A WO 0251038 A1	27-11-2002 01-07-2002 27-06-2002
US 2002187746	A1	12-12-2002	NONE	
EP 1416754	A	06-05-2004	EP 1416754 A1 US 2004023650 A1 WO 03015445 A1	06-05-2004 05-02-2004 20-02-2003
EP 1294135	A	19-03-2003	EP 1294135 A1 WO 03026231 A1	19-03-2003 27-03-2003
WO 03015445	A	20-02-2003	EP 1416754 A1 WO 03015445 A1 US 2004023650 A1	06-05-2004 20-02-2003 05-02-2004