

(19) World Intellectual Property
Organization
International Bureau



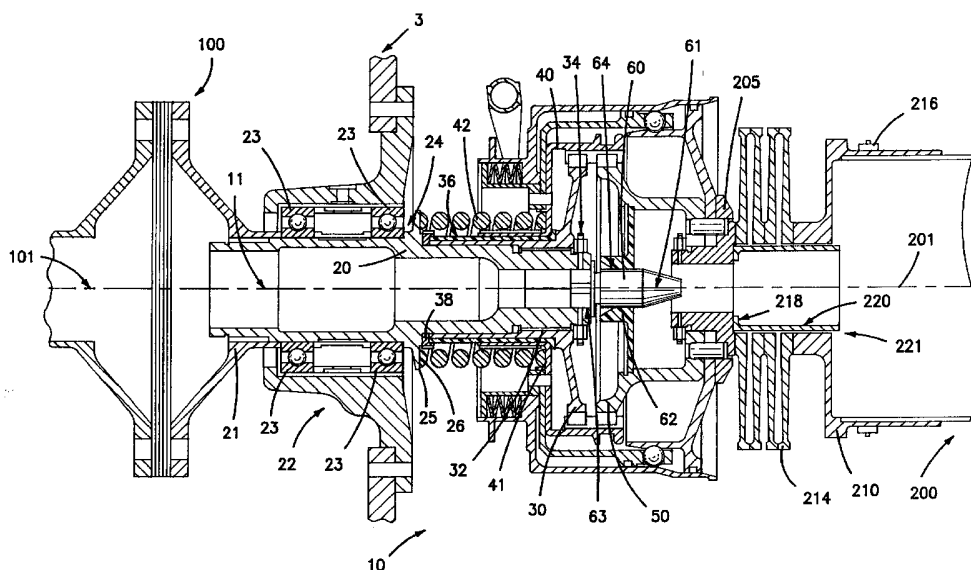
(43) International Publication Date
21 July 1994 (21.07.1994)

PCT

(10) International Publication Number
WO 1994/016238 A3

- (51) International Patent Classification⁵: F16D 11/10, B64C 27/12
- (21) International Application Number: PCT/US1994/000380
- (22) International Filing Date: 11 January 1994 (11.01.1994)
- (25) Filing Language: English
- (26) Publication Language: English
- (30) Priority Data: 08/003,756 13 January 1993 (13.01.1993) US
- (71) Applicant: UNITED TECHNOLOGIES CORPORATION [US/US]; Sikorsky Aircraft Division, Legal-Patents Mailstop Z209A, 6900 Main Street, Stratford, CT 06601-1381 (US).
- (72) Inventor: BALDINO, Neil, F.; 89 Florida Hill Road, Ridgefield, CT 06877 (US).
- (74) Agent: RADKE, Terrance, J.; United Technologies Corporation, Sikorsky Aircraft Division, Legal-Patents Mailstop Z209A, 6900 Main Street, Stratford, CT 06601-1381 (US).
- (81) Designated State (*national*): RU.
- (84) Designated States (*regional*): European patent (AT, BE, CH, DE, DK, ES, FR, GB, GR, IE, IT, LU, MC, NL, PT, SE).
- Published:
— with international search report
- (88) Date of publication of the international search report: 22 April 2004
- For two-letter codes and other abbreviations, refer to the "Guidance Notes on Codes and Abbreviations" appearing at the beginning of each regular issue of the PCT Gazette.

(54) Title: COUPLING DEVICE FOR DRIVE SHAFT SEGMENTS



(57) Abstract: Input and output drive shaft segments (100, 200) are connected by a coupling device having torque transmitting means (e.g. splines (30, 40, 50) or face teeth (300, 400 - Fig. 4)) movable (e.g. axially by yoke (95)) to an uncoupled position (Fig. 3d), and having means (e.g. balls (80), groove (84), and locking surface (96) of outer axially movable housing (86)) to lock (e.g. the axially movable splines (40) of the torque transmitting means in the coupled position). The coupling device may also include a guide pin (60) and sleeve (62) device for piloting the drive shaft segments (100, 200) during assembly, and may include a flexible coupling (214).

WO 1994/016238 A3

INTERNATIONAL SEARCH REPORT

Inte 1 Application No
PCT/US 94/00380

A. CLASSIFICATION OF SUBJECT MATTER
IPC 5 F16D11/10 B64C27/12

According to International Patent Classification (IPC) or to both national classification and IPC

B. FIELDS SEARCHED

Minimum documentation searched (classification system followed by classification symbols)
IPC 5 F16D B64C B64D

Documentation searched other than minimum documentation to the extent that such documents are included in the fields searched

Electronic data base consulted during the international search (name of data base and, where practical, search terms used)

C. DOCUMENTS CONSIDERED TO BE RELEVANT

Category °	Citation of document, with indication, where appropriate, of the relevant passages	Relevant to claim No.
X Y A	US,A,4 303 151 (KOLACZ) 1 December 1981 see the whole document	1-5,7-9 13,15, 16,19,20 9,10,25, 26
Y	---	
Y	US,A,4 492 292 (THOR) 8 January 1985 see the whole document	13,15, 16,28, 30,31
X	---	
Y	FR,A,1 083 306 (DAIMLER BENZ) 7 January 1955 see the whole document	1,17,18, 22-24 19,20, 28,30,31 26
A	---	
	-/--	

Further documents are listed in the continuation of box C.

Patent family members are listed in annex.

° Special categories of cited documents :

- "A" document defining the general state of the art which is not considered to be of particular relevance
- "E" earlier document but published on or after the international filing date
- "L" document which may throw doubts on priority claim(s) or which is cited to establish the publication date of another citation or other special reason (as specified)
- "O" document referring to an oral disclosure, use, exhibition or other means
- "P" document published prior to the international filing date but later than the priority date claimed

- "T" later document published after the international filing date or priority date and not in conflict with the application but cited to understand the principle or theory underlying the invention
- "X" document of particular relevance; the claimed invention cannot be considered novel or cannot be considered to involve an inventive step when the document is taken alone
- "Y" document of particular relevance; the claimed invention cannot be considered to involve an inventive step when the document is combined with one or more other such documents, such combination being obvious to a person skilled in the art.
- "&" document member of the same patent family

Date of the actual completion of the international search

6 May 1994

Date of mailing of the international search report

30.08.94

Name and mailing address of the ISA

European Patent Office, P.B. 5818 Patentlaan 2
NL - 2280 HV Rijswijk
Tel. (+31-70) 340-2040, Tx. 31 651 epo nl,
Fax (+31-70) 340-3016

Authorized officer

BALDWIN, D

INTERNATIONAL SEARCH REPORT

 Inter application No
 PCT/US 94/00380

C.(Continuation) DOCUMENTS CONSIDERED TO BE RELEVANT

Category °	Citation of document, with indication, where appropriate, of the relevant passages	Relevant to claim No.
X	US,A,2 887 201 (WILLIS) 19 May 1959	1,17,18, 22-24,26
Y	see the whole document	2,3,7-9, 11,13, 15,16, 28,30,31
Y	--- GB,A,2 241 766 (DAVID BROWN) 11 September 1991 see the whole document	2,3,7-9, 11,13, 15,16
Y	--- GB,A,626 779 (LOYNES) 21 July 1949 see page 3, line 60 - line 65; figure 5 ---	13,28
Y	--- GB,A,664 234 (TRIGGS) 2 January 1952 see the whole document ---	15,16, 30,31
X	DE,A,38 22 115 (HONDA) 19 January 1989	1,17-19, 23,24,26
Y	see column 7, line 62 - column 9, line 60; figures 1,2	28,30,31
Y	--- US,A,2 950 938 (SILVERBERG) 30 August 1960 see column 3, line 24 - line 30; figure 3 ---	28
Y	--- EP,A,0 092 669 (ROCKWELL) 2 November 1983 see figure 1 -----	30,31

INTERNATIONAL SEARCH REPORT

Information on patent family members

Inte	Application No
PCT/US 94/00380	

Patent document cited in search report	Publication date	Patent family member(s)	Publication date
US-A-4303151	01-12-81	CA-A- 1138682	04-01-83
US-A-4492292	08-01-85	NONE	
FR-A-1083306		NONE	
US-A-2887201		NONE	
GB-A-2241766	11-09-91	NONE	
GB-A-626779		NONE	
GB-A-664234		NONE	
DE-A-3822115	19-01-89	JP-A- 1006519	11-01-89
		JP-A- 1047622	22-02-89
		FR-A- 2621964	21-04-89
		GB-A, B 2207964	15-02-89
		US-A- 4977989	18-12-90
US-A-2950938		NONE	
EP-A-0092669	02-11-83	US-A- 4431334	14-02-84
		CA-A- 1196208	05-11-85
		JP-A- 59001812	07-01-84