



US00D456553S

(12) **United States Design Patent** (10) **Patent No.:** **US D456,553 S**
Russello et al. (45) **Date of Patent:** **** Apr. 30, 2002**

(54) **LUMINAIRE**
(75) Inventors: **Thomas Russello**, Freehold; **Ann Greene**, Cranford, both of NJ (US)
(73) Assignee: **Genlyte Thomas Group LLC**, Louisville, KY (US)
(**) Term: **14 Years**

Primary Examiner—Alan P. Douglas
Assistant Examiner—Clare E. Heflin
(74) *Attorney, Agent, or Firm*—Jeffrey A. Haerberlin; Middleton Reutlinger

(21) Appl. No.: **29/141,210**
(22) Filed: **May 1, 2001**
(51) **LOC (7) Cl.** **26-03**
(52) **U.S. Cl.** **D26/85**
(58) **Field of Search** D26/72–83, 85–92, D26/128, 135, 136; 362/147, 182, 404–408, 432, 351, 362, 363

(57) **CLAIM**
The ornamental design for a luminaire, as shown and described herein.

(56) **References Cited**
U.S. PATENT DOCUMENTS
2,732,484 A * 1/1956 Lipscomb D26/76 X
D267,516 S * 1/1983 Rambusch et al. D26/72
D338,980 S * 8/1993 Dieperink D26/87
D415,304 S * 10/1999 Brown D26/87
D440,692 S * 4/2001 Janos et al. D26/87
D444,258 S * 6/2001 Bradford et al. D26/87
D446,340 S * 8/2001 Bradford et al. D26/87

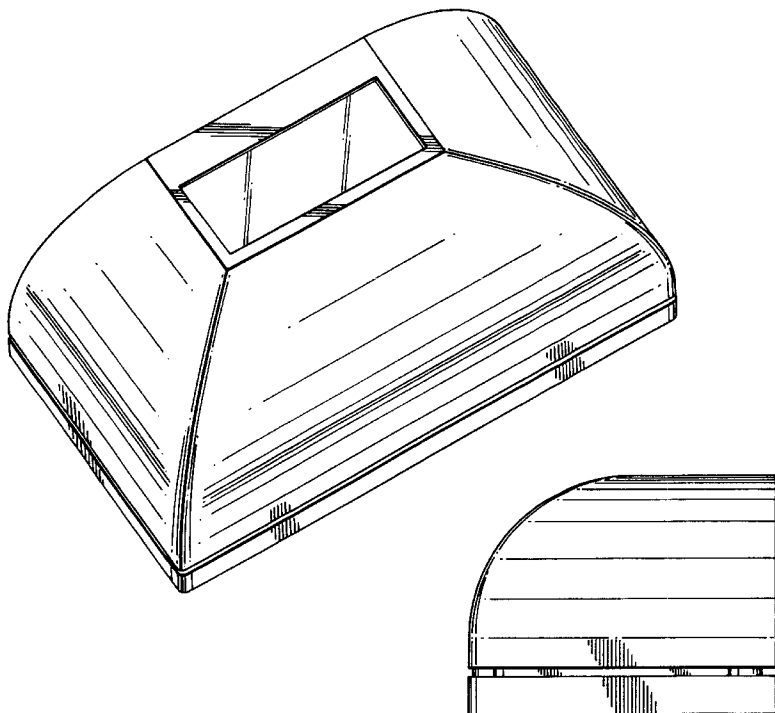
DESCRIPTION
FIG. 1 is a top perspective view of a luminaire showing our design.
FIG. 2 is a front elevation view thereof.
FIG. 3 is a rear elevation view thereof.
FIG. 4 is a side elevation view thereof.
FIG. 5 is a side elevation from the opposite side of FIG. 4 of the luminaire of FIG. 1.
FIG. 6 is a top plan view thereof; and,
FIG. 7 is a bottom plan view thereof.

OTHER PUBLICATIONS
Thomas Industries Inc. Brochure/McPhilben 100 line Performance Sconces (c) 2000.*

The broken lines shown in the figures show a mounting bracket, which is illustrative only and forms no part of the claimed design. Additionally, the luminaire shown is oriented for downward illumination. However, the luminaire may be mounted in alternate orientations without variation of the design disclosed herein.

* cited by examiner

1 Claim, 6 Drawing Sheets



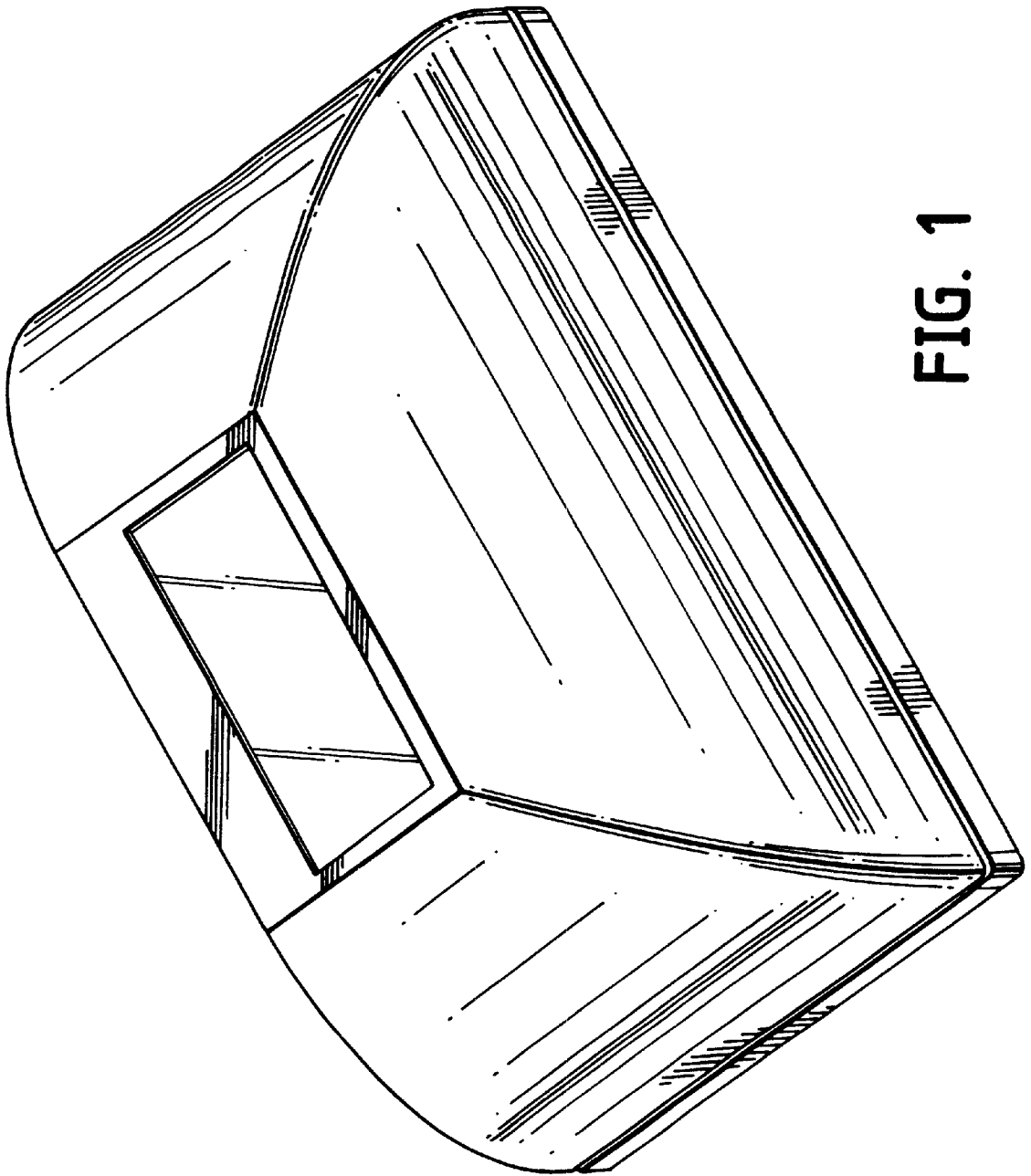


FIG. 1

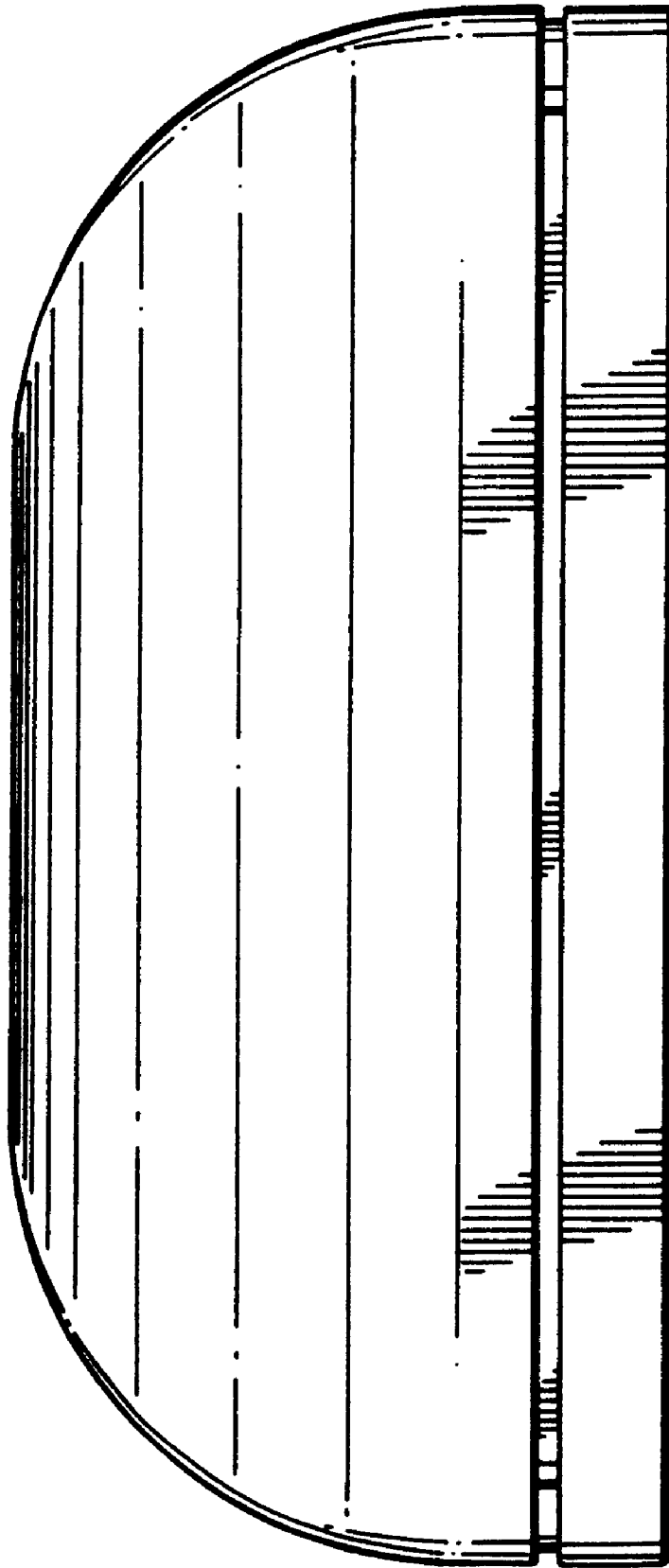


FIG. 2

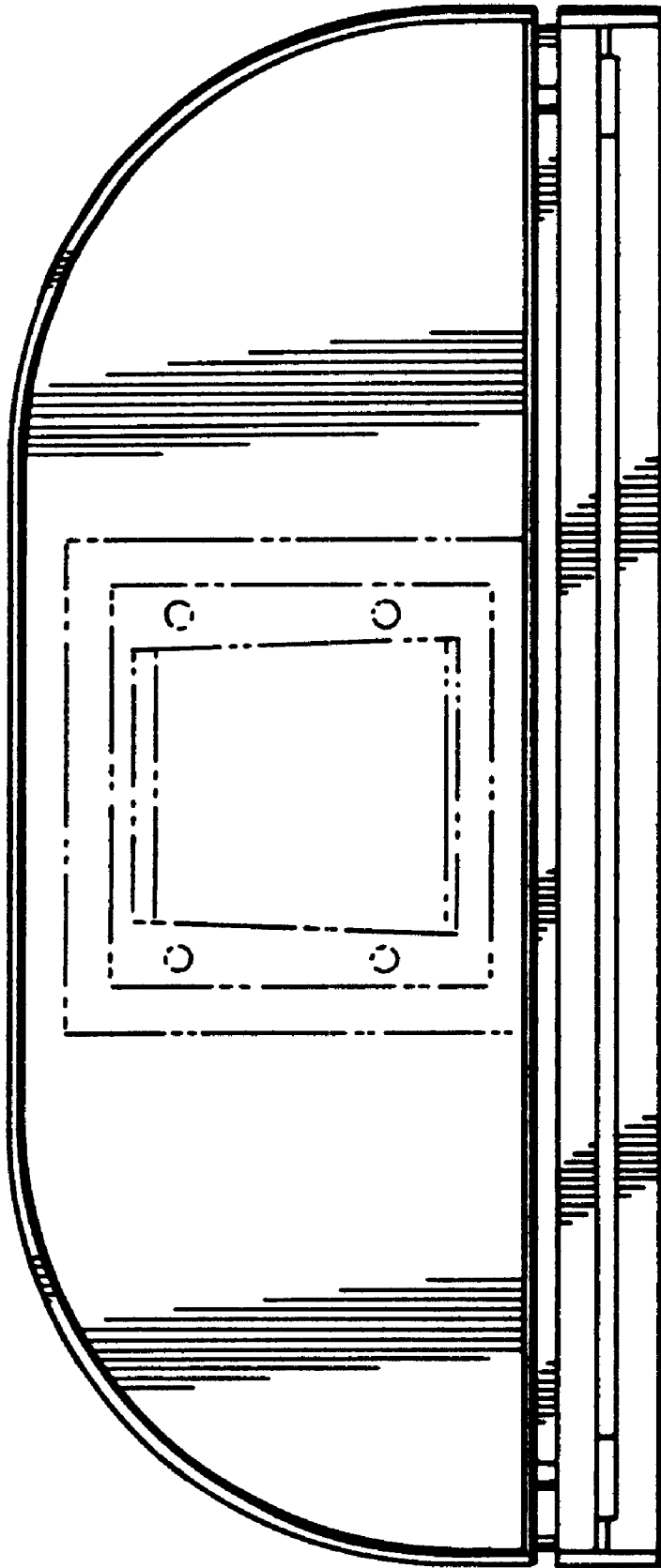


FIG. 3

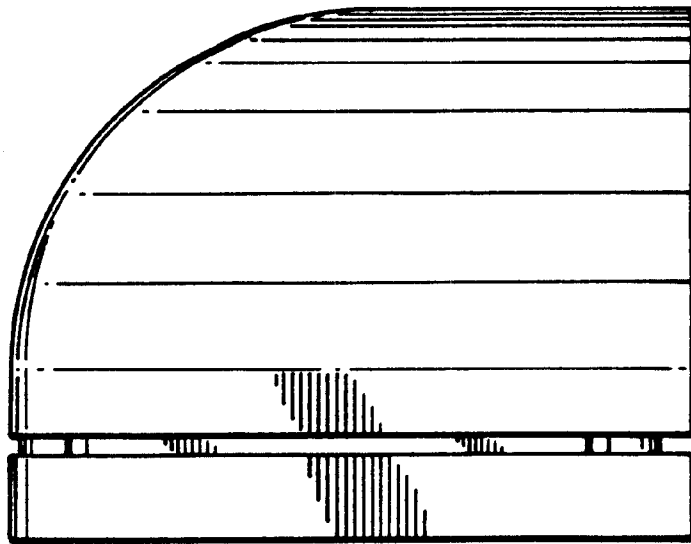


FIG. 4

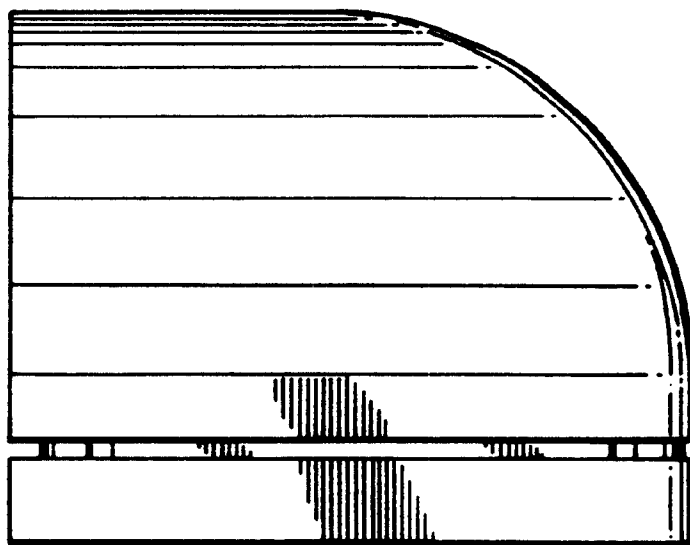


FIG. 5

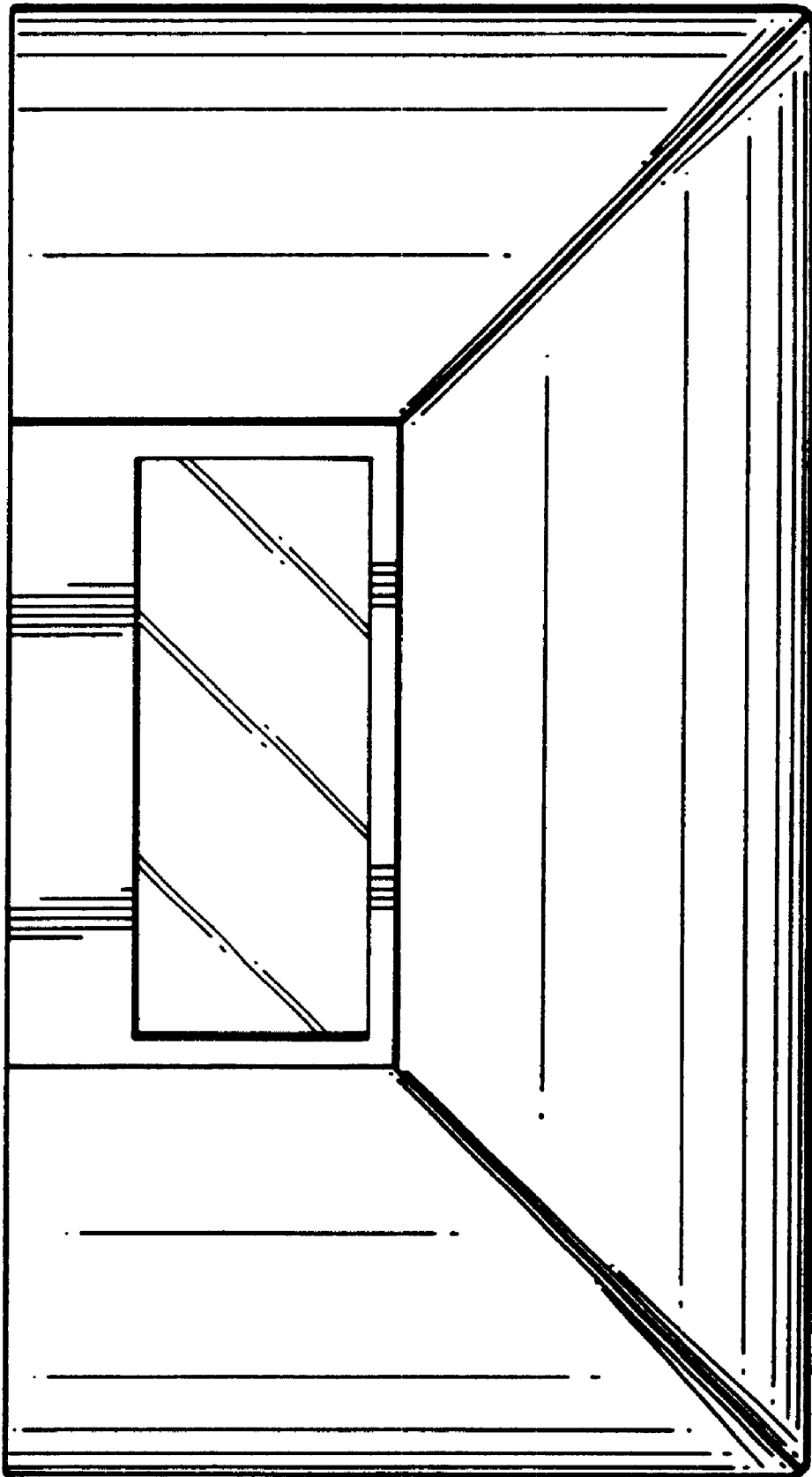


FIG. 6

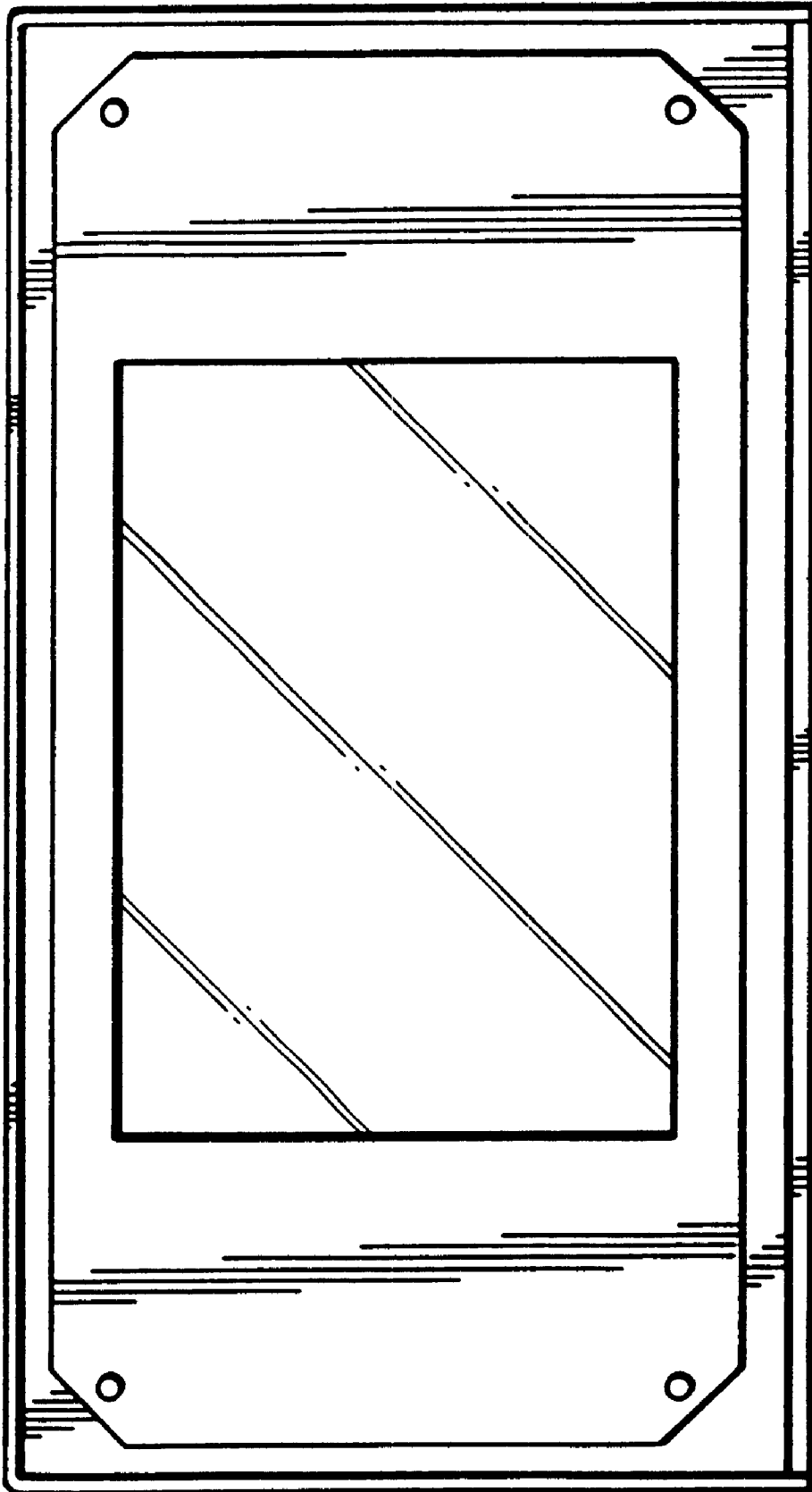


FIG. 7