

(19) World Intellectual Property Organization
International Bureau



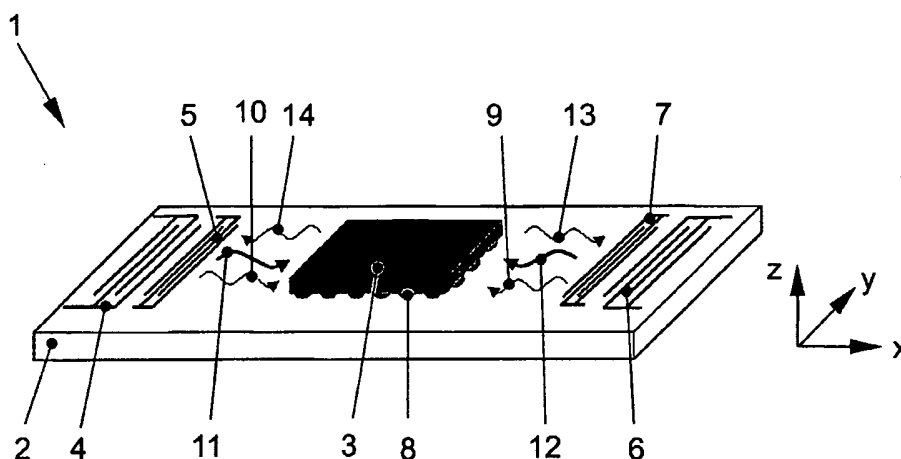
(43) International Publication Date
4 August 2005 (04.08.2005)

PCT

(10) International Publication Number
WO 2005/071768 A3

- (51) International Patent Classification⁷: **H01L 41/09**, 41/04
 - (21) International Application Number: PCT/IB2005/050106
 - (22) International Filing Date: 10 January 2005 (10.01.2005)
 - (25) Filing Language: English
 - (26) Publication Language: English
 - (30) Priority Data: 04100219.7 22 January 2004 (22.01.2004) EP
 - (71) Applicant (for all designated States except US): **KONINKLIJKE PHILIPS ELECTRONICS N.V.** [NL/NL]; Groenewoudseweg 1, NL-5621 BA Eindhoven (NL).
 - (72) Inventors; and
 - (75) Inventors/Applicants (for US only): **VERMEULEN, Marcus, M., P., A.** [NL/NL]; c/o Prof. Holstlaan 6, NL-5656 AA Eindhoven (NL). **PEETERS, Felix, G., P.** [NL/NL]; c/o Prof. Holstlaan 6, NL-5656 AA Eindhoven (NL). **LIESS, Martin, D.** [DE/DE]; c/o Prof. Holstlaan 6, NL-5656 AA Eindhoven (NL). **FEENSTRA, Philipus, J.** [NL/NL]; c/o Prof. Holstlaan 6, NL-5656 AA Eindhoven (NL). **BREEDVELD, Pieter, C.** [NL/NL]; c/o Prof. Holstlaan 6, NL-5656 AA Eindhoven (NL).
 - (74) Agents: **ROLFES, Johannes, G., A.** et al.; Prof. Holstlaan 6, NL-5656 AA Eindhoven (NL).
 - (81) Designated States (unless otherwise indicated, for every kind of national protection available): AE, AG, AL, AM, AT, AU, AZ, BA, BB, BG, BR, BW, BY, BZ, CA, CH, CN, CO, CR, CU, CZ, DE, DK, DM, DZ, EC, EE, EG, ES, FI, GB, GD, GE, GH, GM, HR, HU, ID, IL, IN, IS, JP, KE, KG, KP, KR, KZ, LC, LK, LR, LS, LT, LU, LV, MA, MD, MG, MK, MN, MW, MX, MZ, NA, NI, NO, NZ, OM, PG, PH, PL, PT, RO, RU, SC, SD, SE, SG, SK, SL, SM, SY, TJ, TM, TN, TR, TT, TZ, UA, UG, US, UZ, VC, VN, YU, ZA, ZM, ZW.
 - (84) Designated States (unless otherwise indicated, for every kind of regional protection available): ARIPO (BW, GH, GM, KE, LS, MW, MZ, NA, SD, SL, SZ, TZ, UG, ZM, ZW), Eurasian (AM, AZ, BY, KG, KZ, MD, RU, TJ, TM), European (AT, BE, BG, CH, CY, CZ, DE, DK, EE, ES, FI, FR, GB, GR, HU, IE, IS, IT, LT, LU, MC, NL, PL, PT, RO, SE, SI, SK, TR), OAPI (BF, BJ, CF, CG, CI, CM, GA, GN, GQ, GW, ML, MR, NE, SN, TD, TG).
- Published:**
— with international search report
- (88) Date of publication of the international search report: 23 February 2006
- For two-letter codes and other abbreviations, refer to the "Guidance Notes on Codes and Abbreviations" appearing at the beginning of each regular issue of the PCT Gazette.

(54) Title: METHOD FOR DETERMINING A POSITION OF A DISPLACEABLE ELEMENT AS WELL AS A WAVE MOTOR



(57) Abstract: Method for determining the position of an element (3) which is displaceable relative to a stator (2). The stator (2) comprises at least one transducer (4-7). An electric signal is applied to said transducer (4-7) due to which a wave is generated in the surface of the stator (2). At least part of said wave is reflected to the transducer (4-7) by the displaceable element (3). By means of a processor the position of the displaceable element (3) relative to the stator (2) is determined from the reflected wave.

WO 2005/071768 A3

INTERNATIONAL SEARCH REPORT

Int: Application No
PCT/IB2005/050106

A. CLASSIFICATION OF SUBJECT MATTER
IPC 7 H01L41/09 H01L41/04

According to International Patent Classification (IPC) or to both national classification and IPC

B. FIELDS SEARCHED

Minimum documentation searched (classification system followed by classification symbols)
IPC 7 H01L

Documentation searched other than minimum documentation to the extent that such documents are included in the fields searched

Electronic data base consulted during the international search (name of data base and, where practical, search terms used)

EPO-Internal, WPI Data, IBM-TDB, INSPEC, COMPENDEX

C. DOCUMENTS CONSIDERED TO BE RELEVANT

Category °	Citation of document, with indication, where appropriate, of the relevant passages	Relevant to claim No.
A	US 5 006 749 A (WHITE ET AL) 9 April 1991 (1991-04-09) column 10; figure 14	1,6
A	US 2001/015591 A1 (YOSHIDA RYUICHI ET AL) 23 August 2001 (2001-08-23) cited in the application the whole document	1,6
	----- -/--	

Further documents are listed in the continuation of box C.

Patent family members are listed in annex.

° Special categories of cited documents :

- *A* document defining the general state of the art which is not considered to be of particular relevance
- *E* earlier document but published on or after the international filing date
- *L* document which may throw doubts on priority claim(s) or which is cited to establish the publication date of another citation or other special reason (as specified)
- *O* document referring to an oral disclosure, use, exhibition or other means
- *P* document published prior to the international filing date but later than the priority date claimed

- *T* later document published after the international filing date or priority date and not in conflict with the application but cited to understand the principle or theory underlying the invention
- *X* document of particular relevance; the claimed invention cannot be considered novel or cannot be considered to involve an inventive step when the document is taken alone
- *Y* document of particular relevance; the claimed invention cannot be considered to involve an inventive step when the document is combined with one or more other such documents, such combination being obvious to a person skilled in the art.
- *&* document member of the same patent family

Date of the actual completion of the international search

8 September 2005

Date of mailing of the international search report

29/09/2005

Name and mailing address of the ISA

European Patent Office, P.B. 5818 Patentlaan 2
NL - 2280 HV Rijswijk
Tel. (+31-70) 340-2040, Tx. 31 651 epo nl,
Fax: (+31-70) 340-3016

Authorized officer

Gnugesser, H

INTERNATIONAL SEARCH REPORT

Inte Application No
PCT/IB2005/050106

C.(Continuation) DOCUMENTS CONSIDERED TO BE RELEVANT

Category °	Citation of document, with indication, where appropriate, of the relevant passages	Relevant to claim No.
A	<p>KUROSAWA M ET AL: "ULTRASONIC LINEAR MOTOR USING SURFACE ACOUSTIC WAVES" IEEE TRANSACTIONS ON ULTRASONICS, FERROELECTRICS AND FREQUENCY CONTROL, IEEE INC. NEW.YORK, US, vol. 43, no. 5, September 1996 (1996-09), pages 901-906, XP000633762 ISSN: 0885-3010 Chapter: IV MOTOR OPERATION abstract; figure 11</p> <p style="text-align: center;">-----</p>	1,6
A	<p>HELIN P ET AL: "Angular and linear microvibromotor" 1997 INTERNATIONAL CONFERENCE ON SOLID-STATE SENSORS AND ACTUATORS. DIGEST OF TECHNICAL PAPERS. TRANSDUCERS 97. CHICAGO, IL, JUNE 16 - 19, 1997. SESSIONS 3A1 - 4D3. PAPERS NO. 3A1.01 - 4D3.14P, INTERNATIONAL CONFERENCE ON SOLID-STATE SENSORS AND ACTU, vol. VOL. 2, 16 June 1997 (1997-06-16), pages 61-62, XP010240407 ISBN: 0-7803-3829-4 the whole document</p> <p style="text-align: center;">-----</p>	1,6

INTERNATIONAL SEARCH REPORT

Int: Application No
PCT/IB2005/050106

Patent document cited in search report	Publication date	Patent family member(s)	Publication date
US 5006749	A	09-04-1991	NONE
US 2001015591	A1	23-08-2001	JP 2001238473 A
			31-08-2001