

19



Europäisches Patentamt
European Patent Office
Office européen des brevets



11 Publication number:

0 254 476 B1

12

EUROPEAN PATENT SPECIFICATION

45 Date of publication of patent specification: **08.02.95** 51 Int. Cl.⁶: **A61F 13/15**

21 Application number: **87306259.0**

22 Date of filing: **15.07.87**

54 ^{pub} High density absorbent members having lower density and lower basis weight acquisition zones and absorbent cores and articles incorporating such members.

30 Priority: **18.07.86 US 887584**

43 Date of publication of application:
27.01.88 Bulletin 88/04

45 Publication of the grant of the patent:
08.02.95 Bulletin 95/06

84 Designated Contracting States:
AT BE CH DE ES FR GB GR IT LI LU NL SE

56 References cited:
EP-A- 0 157 649
FR-A- 2 148 170
GB-A- 2 082 643
US-A- 4 212 302
US-A- 4 333 463

73 Proprietor: **THE PROCTER & GAMBLE COMPANY**
One Procter & Gamble Plaza
Cincinnati
Ohio 45202 (US)

72 Inventor: **Aleman, Miguel**
5412 Douglasfir Court
Cincinnati
Ohio 45247 (US)
Inventor: **Berg, Charles John**
6781 Greenfield Drive
Cincinnati
Ohio 45224 (US)

74 Representative: **Bottema, Johan Jan et al**
Procter & Gamble GmbH
Patent Department
Sulzbacher Strasse 40-50
D-65824 Schwalbach am Taunus (DE)

EP 0 254 476 B1

Note: Within nine months from the publication of the mention of the grant of the European patent, any person may give notice to the European Patent Office of opposition to the European patent granted. Notice of opposition shall be filed in a written reasoned statement. It shall not be deemed to have been filed until the opposition fee has been paid (Art. 99(1) European patent convention).

DescriptionFIELD OF THE INVENTION

5 This invention relates to absorbent members having a mixture of hydrophilic fibrous material and discrete particles of an absorbent gelling material. More particularly, the invention relates to a relatively high density absorbent member having a relatively lower average density and lower average basis weight acquisition zone positioned in the area of typical liquid deposition to more quickly acquire and distribute liquids within the absorbent member.

BACKGROUND OF THE INVENTION

10 Absorbent articles such as disposable diapers, adult incontinent pads, sanitary napkins and the like are generally provided with absorbent members to receive and retain body liquids. In order for such absorbent articles to function efficiently, the absorbent members must quickly acquire body liquids into the structure from the point of application and subsequently distribute the body liquids within and throughout the absorbent member to provide maximum leakage containment. In addition, the absorbent members should be capable of retaining liquids when placed under loads. Prior art attempts to improve the effectiveness of such absorbent members have included distributing particles of absorbent gelling material throughout or in portions of the absorbent member. For example, Procter & Gamble; European Patent Application EP-A-122,042; published October 17, 1984 discloses absorbent members wherein particles of absorbent gelling material (hydrogel) are dispersed in an air-laid web of hydrophilic fibrous material and compressed to a particular density. In addition, European Published Patent Application No. 0202125 discloses a dual-layer absorbent core wherein an absorbent acquisition layer overlays a lower fluid storage layer that consists essentially of a uniform combination of hydrophilic fibrous material and discrete particles of absorbent gelling material.

EP-A-157 649 discloses an absorbent member according to the preamble of claim 1.

15 Absorbent gelling materials are polymeric materials which are capable of absorbing large quantities of liquids relative to their weight such as water and body wastes, and which are further capable of retaining such absorbed liquids under moderate pressures. These absorption characteristics of absorbent gelling materials make them especially useful for incorporation into absorbent articles such as disposable diapers, adult incontinent pads, sanitary napkins and the like. However, in spite of the extremely high absorption capacities of such absorbent gelling materials, their performance when used in disposable absorbent articles has still not been optimized.

20 The effectiveness of absorbent gelling materials in disposable absorbent articles is quite dependent upon the form, position, and/or manner in which the particles of absorbent gelling material are incorporated into the absorbent member. In some cases, for example, the effectiveness of absorbent members containing particles of absorbent gelling material can be adversely affected by a phenomenon called gel blocking. The term gel blocking describes a situation that occurs when a particle of absorbent gelling material is wetted, the surface of the particles swelling so as to inhibit liquid transmission into the interior of the absorbent member. Wetting of the interior of the absorbent member, therefore, takes place via a very slow diffusion process. In practical terms, this means that acquisition of liquids by the absorbent member is much slower than the discharge of the liquid to be absorbed, and leakage from the absorbent article may take place well before the particles of absorbent gelling material in the absorbent member are fully saturated or before the liquid can diffuse or wick past the "blocking" particles into the rest of the absorbent member. The slow acquisition rate also fails to take advantage of the rapid wicking of liquids to other parts of the absorbent member provided by a densified absorbent member containing particles of absorbent gelling material.

25 Thus, it would be advantageous to provide an absorbent member that more quickly acquires and distributes liquids within itself while minimizing gel blocking during the liquid acquisition phase. It is therefore a primary objective of the present invention to provide absorbent members which are especially effective and efficient in their use of absorbent gelling materials.

SUMMARY OF THE INVENTION

30 According to the present invention there is provided an absorbent member as defined in claim 1.

In accordance with one aspect of the present invention, the acquisition zone is positioned toward the front of the absorbent member so that the acquisition zone may be positioned in the area of typical liquid

deposition. The acquisition zone is also sized so that the top surface area of the acquisition zone comprises less than 50% of the top surface area of the front section of the absorbent member.

In accordance with another aspect of the present invention, the ratio of the average density of the storage zone to the average density of the acquisition zone is preferably about equal to or greater than 1.25:1, and most preferably about equal to or greater than 2:1. The acquisition zone preferably has a density of from 0.07 to 0.15 g/cm³; the acquisition zone also preferably having a uniform density and uniform basis weight throughout.

In a preferred embodiment of the present invention, a relatively high gel strength absorbent gelling material is mixed with hydrophilic fibrous material to not only minimize gel blocking but also to help maintain an open capillary structure within the absorbent member to enhance planar transport of liquids away from the area of typical liquid deposition to the rest of the absorbent member. The mixture of hydrophilic fibrous material and discrete particles of absorbent gelling material preferably have a fiber-to-particulate weight ratio of from 40:60 to 98:2, more preferably 50:50 to 91:9.

The present invention also relates to dual-layer absorbent cores of the type having an absorbent acquisition core which consists essentially of hydrophilic fibrous material and an absorbent member which consists of a mixture of hydrophilic fibrous material and discrete particles of absorbent gelling material. The absorbent member has a top surface area which is from 0.25 to 1.0 times the top surface area of the absorbent acquisition core. The absorbent member is further positioned relative to the backsheet of the absorbent article in which its positioned such that at least 75% of the absorbent gelling material is found within the front two-thirds portion of the absorbent article. The acquisition zone of the absorbent member is also positioned relative to the backsheet such that it is completely positioned within the front two-thirds portion of the absorbent article.

DETAILED DESCRIPTION OF THE DRAWINGS

While the specification concludes with claims which particularly point out and distinctly claim the subject matter regarded as forming the present invention, it is believed the invention will be better understood from the following description taken in conjunction with the accompanying drawings in which:

Figure 1 is a plan view of a disposable diaper embodiment of the present invention wherein most of the topsheet has been cut-away to more clearly show the underlying absorbent member of the diaper;

Figure 2 is a longitudinal sectional view of only the absorbent member of the disposable diaper taken along sectional line 2-2 of Figure 1;

Figure 3 is a transverse sectional view of only the absorbent member of the disposable diaper taken along sectional line 3-3 of Figure 1;

Figure 4 is a perspective view of the absorbent member of the disposable diaper shown in Figure 1;

Figure 5 is a perspective view of an alternative embodiment of the absorbent member of the present invention;

Figure 6 is a perspective view of a dual-layer absorbent core having a further alternative embodiment of the absorbent member of the present invention;

Figure 7 is a sectional view of the dual-layer absorbent core of Figure 6 taken along sectional line 7-7 of Figure 6; and

Figure 8 is a plan view of a still further alternative embodiment of the absorbent member of the present invention.

DETAILED DESCRIPTION OF THE INVENTION

The absorbent members of the present invention will be described herein in relationship to their use in disposable absorbent articles; however, it should be understood that the potential application of the absorbent members of the present invention should not be limited to disposable absorbent articles. As used herein, the term "disposable absorbent article" refers to articles which absorb and contain body exudates and more specifically refers to articles which are placed against or in proximity to the body of the wearer to absorb and contain the various exudates discharged from the body, and which are intended to be discarded after a single use (i.e., they are not intended to be laundered or otherwise restored or reused). A preferred embodiment of a disposable absorbent article, diaper 20, is shown in Figure 1. As used herein, the term "diaper" refers to a garment generally worn by infants and incontinent persons that is worn about the lower torso of the wearer. It should be understood, however, that the present invention is also applicable to other disposable absorbent articles such as incontinent briefs, sanitary napkins, and the like.

Figure 1 is a plan view of the diaper 20 of the present invention in its flat-out, uncontracted state (i.e., with all elastic induced contraction removed) with portions of the structure being cut-away to more clearly show the construction of the diaper 20 and with the portion of the diaper 20 which contacts the wearer facing the viewer. The diaper 20 is shown in Figure 1 to have a front waistband region 22, a back waistband region 24, a crotch region 26 and a periphery 28 which is defined by the outer edges of the diaper in which the longitudinal edges are designated 30 and the end edges are designated 32. The diaper additionally has a transverse centerline which is designated 34 and a longitudinal centerline which is designated 36.

The diaper 20 comprises a liquid pervious topsheet 38; a liquid impervious backsheet 40; an absorbent member 42; and elastic members 44. While the topsheet 38, the backsheet 40, the absorbent member 42, and the elastic members 44 may be assembled in a variety of well known configurations, a preferred diaper configuration is described generally in U.S. Patent 3,860,003.

Figure 1 shows a preferred embodiment of the diaper 20 in which the topsheet 38 and the backsheet 40 are co-extensive and have length and width dimensions generally larger than those of the absorbent member 42. The topsheet 38 is associated with and superimposed on the backsheet 40 thereby forming the periphery 28 of the diaper 20. The periphery 28 defines the outer perimeter or the edges of the diaper 20. The periphery 28 comprises the end edges 32 and longitudinal edges 30.

The diaper 20 has front and back waistband regions 22 and 24 respectively extending, from the end edges 32 of the diaper periphery 28 toward the transverse centerline 34 of the diaper a distance from 2% to 10%, preferably 5%, of the length of the diaper 20. The waistband regions comprise those upper portions of the diaper 20, which when worn, encircle the waist of the wearer. The crotch region 26 is that portion of the diaper 20 between the waistband regions 22 and 24, and comprises that portion of the diaper 20 which, when worn, is positioned between the legs of the wearer and covers the lower torso of the wearer. Thus, the crotch region 26 defines the area of typical liquid deposition for a diaper 20 or other disposable absorbent article.

The topsheet 38 is compliant, soft feeling, and non-irritating to the wearer's skin. Further, the topsheet 38 is liquid pervious permitting liquids to readily penetrate through its thickness. A suitable topsheet 38 may be manufactured from a wide range of materials, such as porous foams, reticulated foams, apertured plastic films, natural fibers (e.g., wood or cotton fibers), synthetic fibers (e.g., polyester or polypropylene fibers) or from a combination of natural and synthetic fibers. Preferably, the topsheet 38 is made of a hydrophobic material to isolate the wearer's skin from liquids in the absorbent member 42.

A particularly preferred topsheet 38 comprises staple length polypropylene fibers of 0.155 Tex such as Hercules type 151 polypropylene marketed by Hercules, Inc. of Wilmington, Delaware. As used herein, the term "staple length fibers" refers to those fibers having a length of at least 15.9 mm (0.62 inches).

There are a number of manufacturing techniques which may be used to manufacture the topsheet 38. For example, the topsheet 38 may be woven, non-woven, spunbonded, carded, or the like. A preferred topsheet is carded, and thermally bonded by means well known to those skilled in the fabrics art. Preferably, the topsheet 38 has a weight from 18 to 25 grams per square meter, a minimum dry tensile strength of at least 400 grams per centimeter in the machine direction and a wet tensile strength of at least 55 grams per centimeter in the cross machine direction.

The backsheet 40 is impervious to liquids and is preferably manufactured from a thin plastic film, although other flexible liquid impervious materials may also be used. The backsheet 40 prevents the exudates absorbed and contained in the absorbent member 42 from wetting articles which contact the diaper 20 such as bed sheets and undergarments. Preferably, the backsheet 40 is polyethylene film having a thickness of from 0.012 mm (0.5 mil) to 0.051 centimeters (2.0 mils), although other flexible, liquid impervious materials may be used. As used herein, the term "flexible" refers to materials which are compliant and which will readily conform to the general shape and contours of the wearer's body.

A suitable polyethylene film is manufactured by Monsanto Chemical Corporation and marketed in the trade as Film No. 8020. The backsheet 40 is preferably embossed and/or matte finished to provide a more clothlike appearance. Further, the backsheet 40 may permit vapors to escape from the absorbent member 42 while still preventing exudates from passing through the backsheet 40.

The size of the backsheet 40 is dictated by the size of the absorbent member 42 and the exact diaper design selected. In a preferred embodiment, the backsheet 40 has a modified hourglass-shape extending beyond the absorbent member 42 a minimum distance of at least 1.3 centimeters to 2.5 centimeters (0.5 to 1.0 inch) around the entire diaper periphery 28.

The topsheet 38 and the backsheet 40 are associated together in any suitable manner. As used herein, the term "associated" encompasses configurations whereby the topsheet 38 is directly joined to the backsheet 40 by affixing the topsheet 38 directly to the backsheet 40, and configurations whereby the topsheet 38 is indirectly joined to the backsheet 40 by affixing the topsheet 38 to intermediate members

which in turn are affixed to the backsheet 40. In a preferred embodiment, the topsheet 38 and the backsheet 40 are affixed directly to each other in the diaper periphery 28 by attachment means (not shown) such as an adhesive or any other attachment means as known in the art. For example, a uniform continuous layer of adhesive, a patterned layer of adhesive, or an array of separate lines or spots of adhesive may be used to affix the topsheet 38 to the backsheet 40.

Tape tab fasteners 46 are typically applied to the back waistband region 24 of the diaper 20 to provide a fastening means for holding the diaper on the wearer. Only one of the tape tab fasteners is shown in Figure 1. The tape tab fasteners 46 can be any of those well known in the art, such as the fastening tape disclosed in U.S. Patent 3,848,594.

These tape tab fasteners 46 or other diaper fastening means, such as pins, are typically applied near the corners of the diaper 20.

The elastic members 44 are disposed adjacent the periphery 28 of the diaper 20, preferably along each longitudinal edge 30 so that the elastic members 44 tend to draw and hold the diaper 20 against the legs of the wearer. Alternatively, the elastic members 44 may be disposed adjacent either or both of the end edges 32 of the diaper 20 to provide a waistband as well as or rather than leg cuffs. For example, a suitable waistband is disclosed in U.S. Patent 4,515,595.

In addition, a method and apparatus suitable for manufacturing a disposable diaper having elastically contractible elastic members is described in U.S. Patent 4,081,301.

The elastic members 44 are secured to the diaper 20 in an elastically contractible condition so that in a normally unrestrained configuration, the elastic members 44 effectively contract or gather the diaper 20. The elastic members 44 can be secured in an elastically contractible condition in at least two ways. For example, the elastic members 44 may be stretched and secured while the diaper 20 is in an uncontracted condition. Alternatively, the diaper 20 may be contracted, for example, by pleating, and the elastic members 44 secured and connected to the diaper 20 while the elastic members 44 are in their unrelaxed or unstretched condition.

In the embodiment illustrated in Figure 1, the elastic members 44 extend essentially the entire length of the diaper 20 in the crotch region 26. Alternatively the elastic members 44 may extend the entire length of the diaper 20, or any other length suitable to provide elastically contractible line. The length of the elastic members 44 is dictated by the diapers' design.

The elastic members 44 may take a multitude of configurations. For example, the width of the elastic members 44 may be varied from .25 millimeters (0.01 inches) to 25 millimeters (1.0 inch) or more; the elastic members 44 may comprise a single strand of elastic material or may comprise several parallel or non-parallel strands of elastic material; or the elastic members 44 may be rectangular or curvilinear. Still further, the elastic members 44 may be affixed to the diaper in any of several ways which are known in the art. For example, the elastic members 44 may be ultrasonically bonded, heat and pressure sealed into the diaper 20 using a variety of bonding patterns or the elastic members 44 may simply be glued to the diaper 20.

The absorbent member 42 is positioned between the topsheet 38 and the backsheet 40 to form the diaper 20. The absorbent member 42 is generally compressible, conformable, non-irritating to the wearer's skin, and capable of absorbing and retaining liquids and certain body exudates. It should be understood that for purposes of this invention that an absorbent member is not necessarily limited to a single layer or sheet of material. Thus, the absorbent member 42 may actually comprise laminates or combinations of several sheets or webs of the requisite types of materials as hereinafter described. Thus as used herein, the term "member" includes the term "members" or "layers" or "layered."

Figure 4 is a perspective view of a preferred embodiment of the absorbent member 42 of the present invention. The absorbent member 42 is shown in Figure 4 to comprise a back section 48 and a front section 50. The front section 50 is shown to have an end region 52 and a deposition region 54. The deposition region 54 comprises an acquisition zone 56 (shown by the dotted lines) and a storage zone 58. Further, the front section 50 is transversely divided into three regions comprising two transversely spaced ear regions 60 and 62 respectively, and a central region 64. The absorbent member 42 additionally has a transverse centerline which is designated 66 and a longitudinal centerline which is designated 68.

The absorbent member 42 has a back section 48 and a front section 50 that is contiguous with the back section 48. The back section 48 and the front section 50 of the absorbent member 42 extend respectively from the end edges 70 of the absorbent member 42 toward the transverse centerline 66, the front portion 50 extending a distance from one half to three-fourths, preferably two-thirds, of the length of the absorbent member 42. The front section 50 is preferably greater than one half of the total length of the absorbent member 42 so that it will encompass all of the area of typical liquid deposition of an absorbent member 42 when it is placed in a diaper or other absorbent article.

The front portion 50 has an end region 52 and a deposition region 54. The end region 52 comprises that portion of the front section 50 extending from the respective end edge 70 of the absorbent member 42 toward the transverse centerline 66 a distance from 2% to 10%, preferably 5%, of the length of the absorbent member 42. The deposition region 54 comprises that portion of the front portion 50 that is
5 contiguous with and positioned between the end region 52 and the back section 48 and encompasses the area of typical liquid deposition of the absorbent member 42.

The front portion 50 further has two transversely spaced ear regions 60 and 62 respectively, and a central region 64 disposed intermediate said ear regions 60 and 62. The ear regions 60 and 62 comprise those portions which generally extend from the longitudinal edges 30 of the periphery 28 toward the
10 longitudinal centerline a distance from one-tenth to one-third of the width of the absorbent member 42. Thus, the ear regions 60 and 62 are those portions that engage the side marginal portions of the wearer's waist and torso, whereas the central region 64 engages the medial portion of the wearer's waist and torso. The central region thus defines the transverse area of typical liquid deposition.

The absorbent member 42 may be manufactured in a wide variety of sizes and shapes (e.g.,
15 rectangular, hourglass, asymmetrical, etc.) and from a wide variety of materials. The total absorbent capacity of the absorbent member 42 should, however, be compatible with the design liquid loading for the intended use of the absorbent article or diaper. Further, the size and absorbent capacity of the absorbent member 42 may be varied to accommodate wearers ranging from infants through adults. The absorbent member 42 preferably comprises a mixture of hydrophilic fibrous material and particular amounts of
20 discrete particles of absorbent gelling material.

Various types of hydrophilic fibrous material can be used in the absorbent member 42. Any type of hydrophilic fibrous material which is suitable for use in conventional absorbent products are suitable for use in the absorbent member 42 of the present invention. Specific examples of such hydrophilic fibrous material include cellulose fibers, rayon, and polyester fibers. Other examples of suitable hydrophilic fibrous materials
25 include hydrophilized hydrophobic fibers, such as surfactant-treated or silica-treated thermoplastic fibers. For reasons of availability and cost, cellulose fibers, in particular wood pulp fibers which are also referred to as airfelt, are preferred.

As used herein, the term "hydrophilic" describes fibers or the surfaces of fibers which are wetted by the liquids deposited onto the fibers. The state of the art respecting wetting of materials allows definition of
30 hydrophilicity (and wetting) in terms of contact angles and the surface tension of the liquids and solids involved. This is discussed in detail in The American Chemical Society publication entitled Contact Angle, Wettability, and Adhesion edited by Robert F. Gould and copyrighted in 1964. A fiber or surface of a fiber is said to be wetted by a liquid either when the contact angle between the liquid and the fiber or surface is less than 90° or when the fluid will tend to spread spontaneously across the surface; both conditions
35 normally coexist.

In addition to hydrophilic fibrous material, the absorbent member 42 also contains particular amounts of discrete particles of absorbent gelling material. Such absorbent gelling material may be inorganic or organic compounds capable of absorbing liquids and retaining them under moderate pressures.

Suitable absorbent gelling materials can be inorganic materials such as silica gels or organic compounds such as cross-linked polymers. Cross-linking may be by covalent, ionic, van der Waals, or hydrogen bonding. Examples of absorbent gelling material polymers include polyacrylamides, polyvinyl alcohol, ethylene maleic anhydride copolymers, polyvinyl ethers, hydroxypropyl cellulose, carboxymethyl cellulose, polyvinylmorpholinone, polymers and copolymers of vinyl sulfonic acid, polyacrylates, polyacrylamides, polyvinyl pyridine and the like. Other suitable hydrogels are disclosed in Assarson et al., U.S. Patent
45 3,901,236 issued August 26, 1975.

Particularly preferred polymers for use in the absorbent member are hydrolized, acrylonitrile grafted starch, acrylic acid grafted starch, polyacrylates and isobutylene maleic anhydride copolymers, or mixtures thereof.

Processes for preparing hydrogels are disclosed in Masuda et al., U.S. Patent 4,076,663, issued
50 February 28, 1978; Tsubakimoto et al. U.S. Patent 4,286,082, issued August 25, 1981; and further in U.S. Patents 3,734,876, 3,661,815, 3,670,731, 3,664,343, 3,783,871 and Belgium Patent 785,850.

Absorbent gelling material used in the absorbent member 42 is in the form of discrete "particles". Particles of absorbent gelling material can be of any desired shape, e.g., spiral or semi-spiral, cubic, rod-like, polyhedral, etc. Shapes having a large greatest dimension/smallest dimension ratio, like needles, flakes, and fibers, are also contemplated for use herein. Conglomerates of particles of absorbent gelling
55 material may also be used in the absorbent member 42.

Although the absorbent gelling material-containing absorbent member is expected to perform well with particles having a size varying over a wide range, other considerations may preclude the use of very small

or very large particles. For reasons of industrial hygiene, average particle sizes smaller than 30 microns are less desirable. Particles having a smallest dimension larger than 2 millimeters may also cause a feeling of grittiness in the absorbent member, which is undesirable from a consumer aesthetics standpoint. Furthermore, the rate of fluid absorption is affected by particle size. Larger particles have very much reduced rates of absorption. Preferred for use herein are particles having an average size of from 50 microns to 1 millimeter. "Particle size" as used herein means the weighted average of the smallest dimension of the individual particles.

Although most absorbent gelling materials will perform well in the absorbent member 42 of the present invention, absorbent gelling materials having high gel strength are particularly useful. Gel strength must be such that the particles of absorbent gelling material do not deform and fill to an unacceptable degree the capillary void space in the absorbent member 42, thereby inhibiting both absorbent capacity of the structure and fluid distribution throughout the structure.

Gel strength refers to the tendency of the particles of absorbent gelling material to deform or spread under stress once the particles absorb liquids. For a given type of absorbent gelling material, gel strength will generally decrease as the gel volume increases. It has been found that it is desirable to utilize an absorbent member 42 whose polymer materials have as high a gel strength as possible consistent with the realization of absorbent gelling materials of acceptably high gel volume.

It has been found that gel strength, i.e. gel deformation tendency, (in the context of absorbent gelling materials incorporated into absorbent members and absorbent articles) correlates directly with the shear modulus of the absorbent gelling material. Accordingly, polymer materials of absorbent gelling material having sufficient gel strength can be appropriately characterized by specifying gel strength in terms of the shear modulus of the particles of absorbent gelling material.

Shear modulus can be conventionally measured, for example, by a procedure which involves the use of a stress rheometer to determine the ratio of (a) stress applied to a given sample versus (b) the resulting strain exhibited by the sample. The absorbent gelling material sample tested in this manner is swollen to its gel volume with synthetic urine. Using a procedure described in greater detail hereinafter, the stress/strain ratio is determined. The shear modulus of the resulting sample in N/cm^2 (10^5 dynes/cm²) is then subsequently calculated from this ratio. Absorbent gelling materials which have been found to be particularly useful in the present invention exhibit a shear modulus of at least about 0.020 N/cm^2 ($2,000$ dynes/cm²). More preferably, the absorbent gelling materials have a shear modulus within the range of about 0.025 to about 0.920 N/cm^2 (about 2500 to about 92000 dynes/cm²) and most preferably of from about 0.050 to about 0.350 N/cm^2 (about $5,000$ to about $35,000$ dynes/cm²).

Without wishing to be bound by any particular theory, it is believed that absorbent gelling materials having high gel strength as reflected in their shear modulus values will resist deformation upon fluid absorption and will have a reduced tendency to flow into the void spaces between fibers. Thus, high gel strength absorbent gelling materials may actually serve to maintain separation of the individual fibers of the hydrophilic fibrous material. Such fiber separation improves both the wicking and the absorbent capacity of such absorbent members. Low gel strength materials, on the other hand, merely flow into the void spaces between the fibers upon fluid absorption and can thereby actually reduce the acquisition rate and the absorbent capacity of the absorbent members and absorbent articles into which they are incorporated.

Gel strength of absorbent gelling materials is quantified by means of determining the shear modulus of a sample of the swollen particles. Shear modulus is determined using a stress rheometer which comprises a circular lower plate onto which the swollen particle sample is placed. A truncated conical upper element having the same projected surface area as the area of the lower circular plate is positioned above the circular lower plate. This upper element is lowered into the mass of swollen particle material on the circular lower plate and is positioned at the proper gap relative to the circular lower plate. This gap corresponds to the point at which an untruncated cone would contact the lower plate.

An oscillating torque (stress) is applied torsionally to the conical element, and the resulting angular displacement of the cone is determined as a function of the applied torque.

The sample being tested is swollen to its gel volume in synthetic urine. Synthetic Urine is typically 15.0 parts of 1% Triton X-100, 60.0 parts of NaCl, 1.8 parts of $\text{CaCl}_2 \cdot 2\text{H}_2\text{O}$, and 3.6 parts of $\text{MgCl}_2 \cdot 6\text{H}_2\text{O}$, diluted to 6000 parts with distilled H_2O . The resulting solution has an absorbance of 0.25 at its absorbance maximum of 617 mm.

Excess free synthetic urine is removed from the sample by blotting, and approximately 1.5 cc of the swollen material is placed in the gap between the lower circular plate and the upper conical element of the rheometer. This mass is usually formed from an agglomeration of swollen particles which have unswollen particle dimensions less than 710 microns. Spherical particles should be ground to form irregular shaped particles before testing.

Stress and strain measurements are taken under the following conditions:

Parameter	Value
Type of Rheometer Configuration	Sangamo Visco-elastic Analyzer Oscillating Cone and Plate
Plate Radius	2.5 cm
Cone Radius (Edge to vertex)	2.5 cm
Cone Angle *	43.6 milliradians
Oscillation Frequency	1.0 Hertz
Strain Amplitude	2.5%
Sample Temperature	21.4 ° C

* Angle between surface of the lower plate and the surface of the cone i.e. (Pi/2 - semi-vertical angle).

Under these conditions, an oscillatory torque (stress) is applied via the upper conical element to the swollen particles. This results in an oscillatory response (strain) of the sample which is reflected by the magnitude of the angle through which the conical element rotates in response to the applied torque. The shear modulus of the particles is calculated from the ratio of (i) the applied stress to (ii) the amplitude of the in-phase component of the resultant strain.

For the particular cone/plate geometry employed in this testing, the ratio of stress (g-cm) to strain (milliradians) is converted to shear modulus N/cm² 10⁵ (dynes/cm²) using the following formula:

$$\text{Shear Modulus} = \frac{3 \times 981 \times \text{Cone Angle} \times \text{Cos}(\text{Phase Angle}) \times \text{Torque}}{2 \times \text{Pi} \times \text{Plate Radius}^3 \times \text{Strain}}$$

wherein the cone angle and strain are expressed in units of milliradians, the plate radius in units of cm and torque in units of g-cm. For absorbent gelling materials, the phase angle is close to zero and so the cosine of the phase angle is taken as unity. The factor 981 is that which converts g-cm to dyne-cm. Thus

$$\text{Shear Modulus N/cm}^2 \cdot 10^5 \text{ (dynes/cm}^2 \text{)} = \frac{1308 \times \text{Torque (gm-cm)}}{\text{Strain (milliradians)}}$$

for the particular equipment used in this test method.

The relative amount of hydrophilic fibrous material and particles of absorbent gelling material used in the absorbent member 42 of the present invention can be most conveniently expressed in terms of a weight percentage of the absorbent member 42. The absorbent member 42 preferably contains from about 2% to 60%, more preferably from 10% to 25% by weight, of the absorbent member 42 of absorbent gelling material. This concentration of absorbent gelling material can also be expressed in terms of a weight ratio of fiber to particulate. These ratios may range from 40:60 to 98:2. For most commercially available absorbent gelling materials, the optimum fiber-to-particulate weight ratio is in the range of from 50:50 to 91:9. Based on a cost/performance analysis, ratios of from 75:25 to 90:10 are most preferred for use in the absorbent member 42.

In addition, the particles of absorbent gelling material may be dispersed in various weight ratios throughout different regions and thicknesses of the absorbent member 42.

For example, the mixture of hydrophilic fibrous material and particles of absorbent gelling material may be disposed only in the deposition region 54 of the absorbent member 42 and not in the back section 48 or the end region 52. In addition, the acquisition zone 56 need not comprise the fiber/particulate mixture. While an acquisition zone 56 containing only hydrophilic fibrous material may work satisfactorily in rapidly acquiring liquids, such an embodiment is not preferred. When particles of an absorbent gelling material are maintained in the acquisition zone 56, especially high gel strength absorbent gelling materials, the particles

help maintain an open capillary structure when the acquisition zone 56 is wetted so as to enhance planar transport of liquids away from the acquisition zone 56 to the rest of the absorbent member 42. Thus, the acquisition zone 56 preferably contains a uniformly distributed mixture of hydrophilic fibrous material and discrete particles of absorbent gelling material. It is most preferred that the particles are substantially
5 uniformly dispersed throughout the entire absorbent member 42.

The deposition region 54 comprises an acquisition zone 56 and a storage zone 58 in fluid communication with at least a portion of the acquisition zone 56. The acquisition zone 56 comprises portions of the deposition region 54 designated by the dotted lines in Figure 4. The storage zone 58 generally comprises the remainder of the deposition region 54 and more preferably the remainder of the absorbent member 42.

10 It has been found that a relative capillarity difference between the acquisition zone 56 and the storage zone 58 is of importance in the overall efficiency and effectiveness of the absorbent member 42. While liquid capillarity can be defined in several ways (e.g., pore size, density, basis weight, etc.), the density and basis weight of the structure are the preferred parameters to define liquid capillarity in the absorbent member 42 of the present invention. Thus, the acquisition zone 56 must have both a relatively lower
15 average density and lower average basis weight per unit area than the storage zone 58 to establish the preferred capillary force gradient between them. Thus, the ratio of the average density of the storage zone 58 to the average density of the acquisition zone 56 should preferably be equal to or greater than 1.25:1, more preferably equal to or greater than 1.5:1 and most preferably equal to or greater than 2:1.

Without wishing to be bound by theory, it is believed that the differential lower capillarity, the lower
20 average density and lower average basis weight, of the acquisition zone 56 in comparison to the storage zone 58 is significant in achieving both a more optimized liquid acquisition rate into the absorbent member 42 and a relatively high liquid planar wicking rate throughout the absorbent member 42. When an absorbent member 42 having a mixture of hydrophilic fibrous material and particles of absorbent gelling material is densified to the densities approximating those of the storage zone 58, the liquid planar wicking rate
25 becomes much faster. It is believed that densifying the absorbent member 42 results in better planar wicking of liquid throughout the absorbent member 42 (the x-y direction) because of the higher capillary force due to the smaller pore size of the densified fibers. Densifying the absorbent member 42 further results in a reduction in the bulk of the structure (which is desirable from a consumer standpoint for aesthetic reasons).

30 However, the densification of the absorbent member 42 also results in a reduction in the rate of liquid acquisition into the absorbent member 42 in the direction normal to planar wicking (i.e. the z-direction). It is believed that as higher concentrations of absorbent gelling material are located in the area of typical liquid deposition, a maximum gel blocking effect is achieved, thereby reducing the liquid acquisition rate. Thus, it is important to provide a means for delivering the liquid into the absorbent member 42 at a high rate. The
35 acquisition zone 56 of lower average density and lower average basis weight per unit area than the densified absorbent member 42 or storage zone 58 provides such a means. The acquisition zone 56 has a smaller concentration of particles of absorbent gelling material in the area of typical liquid deposition, thereby reducing the incidence of gel blocking in this area during the liquid acquisition phase and thus improving the liquid acquisition rate.

40 The capillary force gradient created at the interface between the acquisition zone 56 and the storage area 58 also improves the containment characteristics of the absorbent member 42. Liquids deposited on the acquisition zone 56 tend to be acquired quickly into structure by the action of the acquisition zone 56. Because the storage zone 58 has a higher capillarity than the acquisition zone 56, the acquired liquids tend to be drawn into the storage zone 58 and are then delivered to the other portions of the storage zone 58 by
45 the enhanced planar wicking rate achieved in the storage zone 58; the liquids being retained even under moderate pressure by the particles of absorbent gelling material in the storage zone 58. Thus, it has been found that an absorbent member 42 having an acquisition zone 56 having a lower average density and lower average basis weight per unit area than the storage zone 58 improves leakage containment by more quickly acquiring and distributing liquids into and throughout the absorbent member 42.

50 In addition, it is believed that the acquisition zone 56 provides an additional mechanism whereby an absorbent member 42 that has already been wetted may contain and more readily acquire further discharged liquids. A property of the particles of absorbent gelling material is that they expand when wetted. Thus when the absorbent member 42 is wetted, the particles of absorbent gelling material in both the acquisition zone 56 and the storage zone 58 expand. However, because there is a greater concentration
55 of particles of absorbent gelling material in the higher average density and higher average basis weight storage zone 58, the storage zone 58 tends to expand to a greater thickness than the acquisition zone 56. Thus, if the acquisition zone 56 is surrounded by the storage zone 58, a well or hole effect is created. This "well" is advantageous for second depositions of liquids because the liquids will tend to be drawn into the

well because it is in effect a zero density acquisition area. This is especially helpful in the case of diapers for overnight use wherein the wearer sleeps on the stomach because gravity additionally tends to pull the later discharged liquids into the well whereupon they distribute into the acquisition zone 56 and are wicked into the storage zone 58. Thus, the acquisition zone 56 provides an additional advantage for wetted absorbent members.

The storage zone 58 is thus the relatively high capillarity high density and high basis weight) portion of at least the deposition region 54. The primary functions of the storage zone 58 are to absorb discharged liquids that are either deposited directly onto the storage zone 58 or transferred to the storage zone 58 via the capillary force gradients established between the acquisition zone 56 and the storage zone 58, and to retain such liquids under the pressures encountered as a result of the wearer's movements. Preferably, the storage zone 58 consists essentially of the structure disclosed in European Patent Application EP-A-122,042 and the lower fluid storage layer disclosed in European Published Patent Application No. 0202125, although other high capillarity structures may also be used.

The storage zone 58 preferably has a relatively high density and a high basis weight in relation to the acquisition zone 56. The density and basis weight values of the storage zone 58 include the weight of the particles of absorbent gelling material, such that the density and basis weight values will vary depending upon the amount of particles dispersed throughout the absorbent member 42. Thus, the storage zone 58 will generally have a density of from 0.06 to 0.4 g/cm³, and more preferably within the range of from 0.09 to 0.20 g/cm³ for an absorbent member 42 containing 15% by weight of particles of absorbent gelling material. The basis weight of such a storage zone 58 can range from 0.02 to 0.186 g/cm² preferably from 0.038 to 0.12 g/cm². For an absorbent member 42 containing 50% by weight of particles of absorbent gelling material, the density will typically range from 0.1 to 0.68 g/cm³ with a basis weight from 0.034 to 0.31 g/cm². The density of the storage zone 58 is calculated from its basis weight and caliper measured on newly unpacked, unfolded and dissected diapers. The caliper is measured using a standard gauge with the sample under a "gentle" load of 10 g/cm². The basis weight is measured by die-cutting a certain size sample and weighing the sample on a standard scale, the weight and area of the sample determining the basis weight. (It should be noted that the density and basis weight values include the weight of the particles of absorbent gelling material.)

While the storage zone 58 may take on a number of sizes and shapes, it is preferred that the storage zone 58 comprises the portion of at least the deposition region 54 wherein there is no acquisition zone 56. (i.e. The entire deposition region 54 comprises a storage zone 58 except for the acquisition zone 56.) While the back section 48 and the end region 52 need not comprise storage zones, in the particularly preferred embodiments of the absorbent member 42 as shown in Figures 2, 3 and 4, the entire absorbent member 42 except for the acquisition zone 56 consists of one or more storage zones 58. In addition, while the storage zone 58 need not completely surround the acquisition zone 56 (i.e. it is in liquid communication with at least a portion of the acquisition zone 56), in preferred embodiments of the present invention, the storage zone 58 surrounds the acquisition zone 56 so as to take full advantage of the capillarity difference between them.

The acquisition zone 56 has a relatively lower capillarity and thus preferably a lower average density and a lower average basis weight per unit area than the storage zone 58. The acquisition zone 56 serves to quickly collect and temporarily hold discharged liquids. Since such liquids are generally discharged in gushes, the acquisition zone 56 must be able to quickly acquire and transport liquid by wicking from the point of liquid contact to other parts of the absorbent member 42. The acquisition zone 56 preferably has a density of from 0.03 to 0.24 g/cm³, more preferably from 0.05 to 0.15 g/cm³ for an absorbent member 42 containing 15% by weight of particles of absorbent gelling material. The basis weight of such an acquisition zone 56 will preferably range from 0.015 to 0.1 g/cm² and more preferably from .018 to .06 g/cm². For an absorbent member 42 containing 50% by weight of particles of absorbent gelling material, the density will typically range from .05 to .41 g/cm³ with a basis weight of from 0.025 to 0.17 g/cm². The density of the acquisition zone 56 is calculated from its basis weight and caliper measured on newly unpacked, unfolded and dissected diapers. The caliper is measured using a standard gauge with the sample under a "gentle" load of 10 g/cm². The basis weight is measured by die-cutting a certain size sample and weighing the sample on a standard scale, the weight and area of the sample determining the basis weight. (The density and basis weight values include the weight of the particles of absorbent gelling material.)

While the acquisition zone 56 could conceivably have density and basis weight values equal to zero, i.e. a hole or void space, such as an embodiment does not show the benefits of an acquisition zone 56 having some minimal value of density and basis weight. The transfer of liquids through the topsheet 38 has been found to be diminished in an absorbent member 42 having an acquisition zone 56 or zero density and basis weight due to the lack of intimate contact between any fibers of the acquisition zone 56 and the topsheet 38. Thus, liquid may tend to pool or collect on the topsheet 38 thereby creating a wet feeling for the wearer.

Thus, the acquisition zone 56 must have some minimum density and basis weight.

While the density and basis weight of the acquisition zone 56 may vary throughout its area and thickness, such an embodiment is also not preferred. The acquisition zone 56 preferably has a substantially uniform density and uniform basis weight throughout its area and thickness. This uniform density and basis weight provides a uniform capillary force gradient across the interface between the acquisition zone 56 and the storage zone 58 that provides even liquid transfer.

The shape, size and positioning of the acquisition zone 56 is of importance in determining the effectiveness of the resulting absorbent member 42 in rapidly acquiring discharged liquids. In accordance with the present invention, the acquisition zone 56 should be placed in a specific positional relationship with respect to the area of typical liquid deposition of the absorbent member 42. While portions of the acquisition zone 56 may be positioned in the back section 48 of the absorbent member 42, the acquisition zone 56 is preferably positioned generally in the front section 50 of the absorbent member 42 so that the acquisition zone 56 is positioned in the area of typical liquid deposition, i.e. the deposition region 54. Thus, the acquisition zone 56 is placed in the vicinity of the point of discharge of liquids so as to be capable of quickly acquiring such liquids at their contact zone.

The generally forward positioning of the acquisition zone 56 can be defined by specifying the percentage of the top surface area of the acquisition zone 56 which is found forward of particular points along the length of the absorbent member 42. While the positioning of the acquisition zone 56 can alternatively be defined with respect to the volume of the acquisition zone positioned forward of particular points, it has been found that the top surface area of the acquisition zone 56 is a more desirable definition because the top surface area actually defines the initial area available for liquid acquisition. In addition, since the thickness of the absorbent member 42 is preferably uniform in the deposition region 54 and the acquisition zone 56 has a generally rectangular cross-sectional area, the top surface area definition is equal to a volumetric definition in a preferred embodiment. Thus, the positioning of the acquisition zone 56 will be referenced throughout the specification as related to its top surface area. (i.e. The percentage of the top surface area of the acquisition zone positioned in a given area.)

Thus, in accordance with the present invention, at least a portion of the acquisition zone 56 must be placed in the deposition region 54, even though the remaining portion may be positioned anywhere in the absorbent member 42 including the back section 48 and the end regions 52. (It being understood that if plural acquisition zones are utilized, at least a portion of one of the acquisition zones must be positioned in the deposition region 54.) However, the acquisition zone 56 is preferably positioned relative to the absorbent member 42 such that the top surface area of the acquisition zone 56 is completely positioned within the front section 50 of the absorbent member 42. More preferably, the acquisition zone 56 is positioned relative to the absorbent member 42 such that the top surface area of the acquisition zone 56 is completely positioned within the deposition region 54 of the absorbent member 42. Even more preferably, at least 30% of the top surface area of the acquisition zone 56 is positioned in the front half of the front section (approximately the front 1/3 of the overall absorbent member 42) of the absorbent member 42.

The forward positioning of the acquisition zone 56 may alternatively be defined by specifying the percentage of the top surface area of the acquisition zone 56 that is found forward of particular points along the length of the diaper 20 or other absorbent article. Thus, the acquisition zone 56 is preferably positioned on the absorbent member 42 relative to the backsheet 40 such that at least a portion of the top surface area of the acquisition zone 56 is in the crotch region 26 of the diaper 20. More preferably, the acquisition zone 56 is positioned such that its top surface area is completely positioned in the front two-thirds portion of the diaper 20, most preferably in the front half portion of the diaper 20; the top surface area also most preferably being completely positioned in the crotch region 26 of the diaper 20. (As noted herein, "portions" of the diaper 20 or other absorbent article can be defined by reference to the top surface area of the unfolded diaper 20 or absorbent article found in front of a given point on the line which defines the length of the diaper 20).

For purposes of determining the positioning of such acquisition zone 56, the length of the absorbent member 42 or diaper 20 will be taken as the normal longest longitudinal dimension of the elongated structure. This normal longest dimension can be defined with respect to the structure as it is applied to the wearer. When worn, the opposing ends of the backsheet are fastened together so that the ends form a circle around the wearer's waist. The normal length of the absorbent member 42 or diaper 20 will thus be the length of the line running through the absorbent member 42 or diaper 20 from the point on the edge of it at the middle of the wearer's back waist, through the crotch, to the point on the opposite edge of the absorbent member 42 or diaper 20 at the middle of the wearer's front waist.

The top surface area of the acquisition zone 56 may be found using either of two techniques. The primary and simplest way is to place the absorbent member 42 on a standard light box, such as the

transluminator model manufactured by Aristo grid Lamp Products, Inc. The acquisition zone 56, because it has a lower average density and lower average basis weight than the surrounding storage zone 58, will appear lighter or brighter due to the fact that more light will be transmitted through the acquisition zone 56. The acquisition zone 56 can then be mapped onto paper having grids to measure the top surface area of the acquisition zone 56.

The alternative method comprises mapping the density profile of the absorbent member 42 to determine the top surface area of the acquisition zone 56. The absorbent member 42 is cut into samples having small areas. The density and basis weight of each of the samples are then calculated using the techniques discussed above. Thus, the relatively lower density and lower basis weight samples are charted against the relatively higher density and higher basis weight samples to measure the top surface area of the acquisition zone 56.

The acquisition zone 56 can be of any desired shape consistent with the absorbency requirements of the absorbent member 42 or diaper 20 including, for example, circular, rectangular, triangular, trapezoidal, oblong, hourglass-shaped, funnel-shaped, dog-bone-shaped or oval. Preferred shapes of the acquisition zone 56 are those that increase the perimeter of the interface between the acquisition zone 56 and the storage zone 58 so that the relative capillarity difference between the zones is fully utilized. In a preferred embodiment, the acquisition zone will be oval shaped having a top surface area of 45cm^2 (7in^2).

In order to maintain a certain minimal absorbency level in the front section 50 of the absorbent member 42, the top surface area or volume of the storage zone 58 must comprise some minimal amount of the top surface area or volume of the front section 50. Thus, it has been found that the acquisition zone 56 should preferably comprise less than the entire top surface area and/or volume of the front section 50 of the absorbent member 42. (Since in a preferred embodiment the acquisition zone 56 is of generally uniform thickness and cross-sectional area, volume can be interchanged with top surface area as a definitional point.) The top surface area of the portion of the acquisition zone 56 positioned in the front section 50 of the absorbent member 42 preferably comprises less than 50% of the top surface area of the front section 50. More preferably, the top surface area of the acquisition zone 56 comprises less than 35% of the top surface area of the front section 50 of the absorbent member 42, with less than 20% being especially preferred. In addition, the top surface area of the acquisition zone 56 preferably comprises less than 50% of the top surface area of the deposition region 54, more preferably less than 35%, and most preferably less than 20%.

The acquisition zone 56 may also have a number of different cross-sectional areas and configurations including those wherein the area of portions of the acquisition zone 56 is less or greater than its top surface area (i.e., The acquisition zone 56 is smaller or wider below the top surface of the absorbent member 42.) For example, the acquisition zone 56 may have conical, trapezoidal, T-shaped or rectangular cross-sectional areas. As shown in Figures 2 and 3, the acquisition zone 56 preferably has a rectangular cross-sectional area so as to provide a uniform acquisition zone 56.

In addition, the acquisition zone 56 need not comprise the entire thickness of the absorbent member 42, but may extend through only a fraction of its total thickness. The acquisition zone 56 may also have a different thickness than the surrounding storage zone 58. However, in a preferred embodiment as shown in Figures 2 and 3, the acquisition zone 56 preferably extends through the entire thickness of the absorbent member 42 and has a thickness equal to the thickness of the surrounding storage zone 58 in the deposition region 54.

While the acquisition zone 56 may be transversely positioned anywhere along the absorbent member 42, it has been found that the acquisition zone 56 functions the most efficiently when it is transversely centered within the front section 50 or the deposition region 54 of the absorbent member 42. Thus, the acquisition zone 56 is preferably centered about the longitudinal centerline 68 of the absorbent member 42. More preferably, the acquisition zone 56 is transversely positioned only in the central region 64 of the front section 50 or deposition region 54 of the absorbent member 42 such that none of the acquisition zone 56 is located in the ear regions 60 and 62.

Such an absorbent member 42 is preferably made by airlaying a thickness profiled absorbent member-preform and then calendering the absorbent member 42 in a fixed-gap calender roll to effect densifying the absorbent member 42. The thickness profiled absorbent member 42 initially has areas of higher basis weight which define the storage zone 58 and of lower basis weight which define the acquisition zone 56. The absorbent member 42 is then calendered preferably to at least a uniform thickness in the deposition region. Thus, a lower average density and a lower average basis weight per unit area acquisition zone 56 is created relative to the higher average density and higher average basis weight storage zone 58. Additionally, discrete particles of absorbent gelling material are added to an air-entrained stream of fibers prior to their deposition onto the preform to affect uniform distribution of absorbent gelling material throughout the

performed absorbent member 42. Thus, the resultant absorbent member 42 contains a uniform mixture of hydrophilic fibrous material and discrete particles of absorbent gelling material.

In use, the diaper 20 is applied to a wearer, by positioning the back waistband region 24 under the wearer's back, and drawing the remainder of the diaper 20 between the wearer's legs so that the front waistband region 22 is positioned across the front of the wearer. The ends of the tape-tab fasteners 46 are then secured preferably to outwardly facing areas of the diaper 20. In use, disposable diapers or other absorbent articles having such absorbent members 42 having a relatively lower average density and lower average basis weight acquisition zone 56, tends to more quickly acquire liquids into the acquisition zone 56 and to distribute these liquids to the remaining portions of the absorbent member 42 and to remain dry or dryer due to the preferential capillarity between the storage zone and the acquisition zone 56 of the absorbent member 42. Thus, such an absorbent member 42 helps to alleviate leakage around the edges of such absorbent articles.

Figure 5 shows an alternative embodiment of an absorbent member 542 of the present invention. As shown in Figure 5, the front section 550 of the absorbent member 542 has a thickness, T1, greater than the thickness, T2, of the back section 548. The acquisition zone 56 is preferably of the same thickness, T1, as the storage zone 58 positioned in the front section 550 of the absorbent member 542; the front section 550 having a terraced character by virtue of the thickness difference between the front section 550 and the back section 548 and by virtue of the relatively steep slope formed by a density/basis weight transition zone which is designated 572. Preferably, T1 is at least 1.5 times as great as T2 and preferably 2.0 times as great as T2. In this preferred embodiment, three-fourths of the absorbent material is disposed in the front section 550 of the absorbent member 542 thereby providing an absorbent member 542 wherein the front section 552 has high absorbent capacity as well as rapid acquisition characteristics.

Figures 6 and 7 show a further alternative embodiment of an absorbent member 642 the present invention. An absorbent acquisition core 674 is positioned over the absorbent member 642 of the present invention to form a dual-layer absorbent core. An example of a similar dual-layer absorbent core is discussed in more detail in European Published Patent Application No. 0202125.

The absorbent acquisition core 674 preferably consists essentially of hydrophilic fibrous material. This absorbent acquisition core 674 thus serves to quickly collect and temporarily hold discharged liquids and to transport such liquids by wicking from the point of initial contact to other parts of the absorbent acquisition core 674. Since the primary function of the absorbent acquisition core 674 is to receive liquids passing through the topsheet 38 and to transport such liquids to other areas of the absorbent acquisition core 674 and eventually onto the absorbent member 642, the absorbent acquisition core 674 can be substantially free of absorbent gelling material. Alternatively, the absorbent acquisition core 674 can contain particular amounts of absorbent gelling material. Thus, the absorbent acquisition core 674, for example, can contain up to 50%, or preferably up to between 25% and 40%, by its weight of particles of absorbent gelling material. In the most preferred embodiments, the absorbent acquisition core contains up to 8% by its weight of particles of absorbent gelling material. In some instances, the presence of particles of absorbent gelling material in the absorbent acquisition core 674 can actually serve to maintain its density within the optimum range to promote fluid distribution. The specific type of absorbent gelling material optionally used in the absorbent acquisition core 674 does not have to be the same as the type essentially employed in the absorbent member 642.

The shape, size and character, including capillarity of the absorbent acquisition core 674, is of some importance in determining the effectiveness of the resulting diaper 20 or other absorbent article. The absorbent acquisition core 674 in the unfolded configuration can be of any desired shape, for example, rectangular, oval, oblong, assymmetric or hourglass-shaped. The shape of the absorbent acquisition core 674 will frequently define the general shape of the resulting diaper 20. In preferred embodiments of the present invention as shown in Figure 6, the absorbent acquisition core 674 will be hourglass-shaped and will be of a substantially uniform density within the range of from 0.07 to 0.20 g/cm³. Preferably, the core will have a basis weight ranging from 0.007 to 0.075 g/cm³.

The absorbent acquisition core 674 may alternatively comprise core acquisition zone (not shown) having a lower average density and a lower average basis weight than the remainder of the absorbent acquisition core 674. This core acquisition zone may have the same shape, positioning and characteristics as the acquisition zone 656 of the absorbent member 642, or it may have different shapes, positioning and/or characteristics. Preferably, the core acquisition zone of the absorbent acquisition core 674 overlays at least a portion of the acquisition zone 656 of the absorbent member 642, and more preferably the entire acquisition zone 656 of the absorbent member 642, so as to provide an overall acquisition zone extending throughout the entire thickness of the dual-layer absorbent core system.

The absorbent member 642 of the present invention need not be as large as the absorbent acquisition core 674 and can, in fact, have a top surface area which is substantially smaller than the top surface area of the absorbent acquisition core 674. Generally, the absorbent member 674 will have a top surface area from 0.25 to 1.0 times that of the absorbent acquisition core 674. Most preferably, the top surface area of the absorbent member 642 will be only from 0.25 to 0.75, and most preferably from 0.3 to 0.5, times that of the absorbent acquisition core 674.

The absorbent member 642 is preferably placed in a specific positional relationship with respect to the backsheet 40 and/or the absorbent acquisition core 674 in the diaper or other absorbent article. More particularly, the absorbent member 642 is positioned generally toward the front of the diaper so that absorbent gelling material is most effectively located to acquire and hold discharged liquids from the absorbent acquisition core 674.

The forward positioning of the absorbent member 642 can be defined by specifying the percent of total absorbent gelling material which is found forward of particular points along the length of the diaper or other absorbent article. Thus, in accordance with the present invention, the absorbent member 642 is positioned relative to the backsheet and/or the absorbent acquisition core such that (1) at least 75% of the total absorbent gelling material in the absorbent member 642 is found within the front two-thirds portion of the diaper or other absorbent article, and (2) at least 55% of the total absorbent gelling material in the absorbent member 642 is found within the front half portion of the diaper or other absorbent article. More preferably, the absorbent member 642 is positioned relative to the backsheet 38 and/or the absorbent acquisition core 674 such that at least 90% of the total absorbent gelling material in the absorbent member 642 is found in the front two-thirds portion and at least 60% of the total absorbent gelling material is found in the front half portion of the diaper or other absorbent article. (As noted, for purposes of the present invention, "portions" of the diaper or other absorbent article can be defined by reference to the top surface area of the unfolded diaper 20 or absorbent article found in front of a given point on the line which defines the length of the diaper 20 or absorbent article.)

In the usual instance when the absorbent acquisition core 674 generally defines the shape of the diaper or other absorbent article, the normal length of the backsheet 38 will be approached by the longest longitudinal dimension of the absorbent acquisition core 674. In such instances, the positioning of the absorbent member 642 can also be defined with respect to its location toward the front portion of the absorbent acquisition core 674. However, in some applications (e.g. adult incontinence articles) wherein bulk reduction or minimum cost are important, the absorbent acquisition core would not take on the general shape of the diaper or incontinence structure. Rather it would be generally located to cover only the genital region of the wearer and could in this case have approximately the same top surface area as the absorbent member 642. In this instance, both the absorbent acquisition core 674 and the co-extensive absorbent member 642 would be located toward the front of the article as defined by only the backsheet 38 such that the requisite percentages of absorbent gelling material would be found in the front two-thirds and front half sections respectively of the diaper or other absorbent article.

The absorbent member 642 of the dual-layer absorbent core can be of any desired shape consistent with comfortable fit including, for example, circular, rectangular, trapezoidal, oblong, hourglass-shaped, dog-bone-shaped or oval. If desired, the absorbent member 642 can be wrapped in a high wet strength envelope web such as tissue paper or a synthetic fine pore, e.g., nonwoven material, to minimize the potential for particles of absorbent gelling material to migrate out of the absorbent member 642. Another objective of such overwrapping is to desirably increase the in-use integrity of the dual layer absorbent core. Such a web can, in fact, be glued to the absorbent member 642. Suitable means for carrying out this gluing operation include the glue spraying procedure described in U.S. Patent 4,573,986.

In preferred embodiments, the absorbent member 642 of the dual layer absorbent core will be oblong. In especially preferred embodiments, an oblong absorbent member 642 overwrapped with spray-glued tissue will be employed.

Because the absorbent member 642 of the dual-layer absorbent core is generally smaller than the absorbent acquisition core 674 such that the absorbent member 642 may entirely be placed in the area of typical liquid deposition, and because the absorbent member 642 is preferably positioned in a specific positional relationship with respect to the backsheet 38 and/or the absorbent acquisition core 674, the acquisition zone 656 may be positioned anywhere in the absorbent member 642. The acquisition zone 656 is not necessarily limited to a portion of the deposition region, since in effect the entire absorbent member 642 of the dual-layer absorbent core is in the "deposition region". The acquisition zone 656 is, however, preferably positioned in a specific positional relationship with respect to the backsheet 38 and/or the absorbent acquisition core 674 of the diaper or other absorbent article. More particularly, the acquisition zone 656 should be positioned generally toward the front of the diaper at least partially in the crotch region

26 so that the acquisition zone 656 is most effectively located to quickly acquire and distribute liquids within the absorbent member 642. Thus, the positioning of the acquisition zone 656 in the diaper or other absorbent article can be defined by specifying the percentage of the top surface area (and/or volume) which is found forward of a particular point along the length of the diaper or other absorbent article. In accordance with the present invention, the acquisition zone 656 is preferably positioned relative to the backsheet 39 and/or the absorbent acquisition core 674 such that the top surface area of the acquisition zone 656 is completely positioned within the front two-thirds portion of the diaper or absorbent article. More preferably, the acquisition zone 656 is positioned relative to the backsheet 38 and/or the absorbent acquisition core 674 such that the top surface area of the acquisition zone 656 is completely positioned within the front half portion of the diaper or absorbent article and, most preferably, such that at least 30% of the top surface area is located in the front one-third section of the diaper or absorbent article. The acquisition zone 656 is also most preferably completely positioned within the crotch region 26 of the diaper or absorbent article.

In order to maintain a certain minimal absorbency level in the front portions of the diaper or other absorbent article, it has been found that the top surface area of the acquisition zone 656 should comprise less than the entire top surface area of the absorbent member 642 of the dual-layer absorbent core. The top surface area (and/or volume) of the acquisition zone 656 preferably comprises less than 50% of the top surface area (and/or volume) of the absorbent member 642. More preferably, the top surface area of the acquisition zone 656 comprises less than 35% of the top surface area of the absorbent member 642 and most preferably less than 20% of the top surface area of the absorbent member 642. All other aspects of the acquisition zone 656 may be similar to the acquisition zone 56 discussed with respect to the absorbent member 42.

Figure 8 shows a still further alternative embodiment of an absorbent member 842 of the present invention. The absorbent member 842 has an asymmetric shape (i.e., the absorbent member 842 is not symmetrical about its transverse centerline). In addition, the ear regions 860 and 862 and the back section 848 preferably have a different thickness than the central region 864. Further, the density and basis weight values of the ear regions 860 and 862 and the back section 848 are different from the storage zone 858 positioned in the central region 864 by virtue of the method by which the absorbent member 842 is formed.

The ear regions 860 and 862 and the back section 848 are preferably formed with a lesser basis weight than the storage zone 858 of the central region 864 so as to hold down the cost of such absorbent members 842 because less materials are being used. The absorbent member 842 is calendered to a uniform thickness in the central region 864 and the back section 848 except for its ear regions; the storage zone 858 of the central region 864, therefore, having a greater average density than the back section 848 except for its ear regions. (It should be understood that all or portions of the back section 848 may alternatively be calendered to a lesser thickness than the central region 864 such that the back section 848 has about an equal or a greater average density than the storage zone 858.) The ear regions 860 and 862 and the back section 848 are preferably calendered such that they have substantially less thickness than the central region 864 and a greater average density than the storage zone 858 of the central region 864. The thickness difference between the ear regions and the central region 864 is such that the absorbent member 842 may be easily folded to a thin configuration during packaging with the ear regions overlaying the respective central region 864 and the back section 848. The ear regions are also preferably more dense than the storage zone 858 to provide an additional capillarity difference so that liquids will tend to be pulled toward the ear regions so that the total absorbent capacity of the absorbent member 842 will be utilized.

The acquisition zone 856 of the absorbent member 842 has a funnel shape. The funnel shape is defined by a generally triangular portion 884 in combination with a stem or rectangular portion 886. The triangular portion 884 is especially effective in absorbing liquids discharged by a male wearer, while the stem portion 886 is effective for a female wearer. While it is possible that the shape of the acquisition zone 856 may vary according to the type of wearer contemplated, such as only a triangular portion 884 for a male wearer and only a stem portion 886 for a female wearer, it is preferred that the acquisition zone 856 comprise both elements.

Yet another alternative to each of the embodiments of the above absorbent members of the present invention comprises varying the pore size of the fibers without necessarily varying the density of the fibers to form an acquisition zone and a storage zone. For example, fine fiber dimensions of hardwood fluff can be utilized to advantage by substituting at least 50%, and preferably 80% to 100%, hardwood fluff fibers for the softwood fibers in the storage zone. This can be done because the hardwood fluff has a smaller pore size than the softwood fluff material. As result, a capillarity difference will still be obtained within the scope of the invention, even if the density of each zone is the same. Thus, for example, an absorbent member can

be obtained from using a predominately softwood pulp with a fine pore structure to define the acquisition zone and a predominately hardwood fluff pulp to define the storage zone.

Claims

5
10
15
20
25
30
35
40
45
50
55

1. An absorbent member (42,542,642,842) comprising a mixture of hydrophilic fibrous material and discrete particles of an absorbent gelling material, said absorbent gelling material being dispersed throughout the absorbent member, said absorbent member having a back section (48,548,848) and a front section (50,550) contiguous with said back section (48), said front section having an end region (52) and a deposition region (54) contiguous both with said end region (52) and said back section (48), and said front and back sections defining the direction of longitudinal extent of said absorbent member, the lateral extent being perpendicular thereto, characterised in that said deposition region (54), which is positioned in the area of typical liquid deposition, is formed with an acquisition zone (56,656) having a perimeter, and a storage zone (58,558,658,858) at least partially laterally surrounding the perimeter of said acquisition zone and in fluid communication therewith, the average density and average basis weight of said acquisition zone being greater than zero but lower than the average density and average basis weight of said storage zone, the absorbent gelling material having a shear modulus in the range of 0.025 - 0.920 N/cm² (2500-92000 dynes/cm²) such that the particles of absorbent gelling material do not deform to such a degree that the capillary void space is substantially filled.
2. An absorbent member according to Claim 1 wherein the ratio of the average density of said storage zone (58) to the average density of said acquisition zone (56) is equal to or greater than 1.25:1, more preferably equal to or greater than 2:1.
3. An absorbent member according to either one of Claims 1 and 2 wherein the average density of said acquisition zone (56) is from 0.05 to 0.15 g/cm³.
4. An absorbent member according to any one of Claims 1-3 wherein the top surface area of said acquisition zone (56) is completely positioned within said front section (50), preferably within said deposition region (54), and most preferably so that at least 30% of the top surface area is positioned in the front half of said front section (50).
5. An absorbent member according to Claim 4 wherein the top surface area of said acquisition zone (56) has a shape chosen from circular, rectangular, triangular, trapezoidal, oblong, hourglass, funnel, dog-bone, and oval, said acquisition zone preferably being transversely centered.
6. An absorbent member according to either one of Claims 4 and 5 wherein the top surface area of said acquisition zone (56) comprises less than 50%, more preferably less than 20%, of the top surface area of said front section (50).
7. An absorbent member according to any one of Claims 1-6 wherein the acquisition zone (56, 556) comprises a mixture of the hydrophilic fibrous material and particulate absorbent gelling material.
8. An absorbent member according to any one of the preceding claims wherein the dispersion of hydrophilic fibrous material and discrete particles of an absorbent gelling material is uniform and has a fiber-to-particulate weight ratio of from 40:60 to 98:2, more preferably from 50:50 to 91:9.
9. An absorbent member according to any of the preceding claims wherein said front section (50) further has two transversely spaced ear regions (60, 62, 860, 862) and a central region (64, 864) disposed intermediate said ear regions, said acquisition zone (56) being positioned within said central region (64).
10. An absorbent core comprising an absorbent member (642) in accordance with any one of the preceding claims in combination with an absorbent acquisition core (674) positioned adjacent said absorbent member (642) and optionally comprising hydrophilic fibers that are substantially free of absorbent gelling material.

11. An absorbent core according to Claim 10 wherein said absorbent acquisition core (674) has a core acquisition zone having a lower average density and a lower average basis weight than the remainder of said absorbent acquisition core, said core acquisition zone being positioned with respect to said acquisition zone (656) of said absorbent member (642) so as to overlay at least a portion of said acquisition zone (656) of said absorbent member (642) to provide an overall acquisition zone throughout the entire thickness of said absorbent core, said core acquisition zone preferably having the same shape as said acquisition zone (656) of said absorbent member (642).
12. An absorbent core according to either one of Claims 10 and 11 wherein said absorbent member (642) and said absorbent acquisition core (674) are each a continuous web of fibrous material.
13. An absorbent article having a liquid pervious topsheet (38); a liquid impervious backsheet (40) associated with said topsheet (38); and an absorbent body (42), positioned between said topsheet (38) and said backsheet (40), characterised in that the absorbent body (42) comprises an absorbent member in accordance with any one of Claims 1-9, preferably as part of an absorbent core in accordance with any one of Claims 10-12, the absorbent member preferably having a asymmetric shape.
14. An absorbent article, according to either one of Claims 12 or 13, wherein said absorbent member (642) is generally oblong and has a top surface area that is from 0.25 to 1.0 times that of said absorbent acquisition core (674), said absorbent member (642) being positioned relative to said backsheet (40) and said absorbent acquisition core (647) in a manner such that at least 75% of the absorbent gelling material in said absorbent member if found within the front two-thirds portion of the absorbent article.
15. An absorbent article according to any one of Claims 12-14 wherein said acquisition zone (56, 556) of said absorbent member (42, 542) is positioned relative to said backsheet (40) such that the top surface area of said acquisition zone (56, 556) is completely positioned within the front two-thirds section of the absorbent article, preferably within the front one-half section of the absorbent article, more preferably within the crotch region (26) of said article and most preferably such that the top surface area of said acquisition zone comprises less than 50% of the top surface area of said crotch region (26).

Patentansprüche

1. Ein absorbierender Bauteil (42,542,642,842), welcher eine Mischung aus hydrophilem faserigen Material und diskreten Partikeln eines absorbierenden gelbildenden Materials umfaßt, wobei das genannte absorbierende gelbildende Material über den absorbierenden Bauteil hin dispergiert ist, der genannte absorbierende Bauteil ein hinteres Teilstück (48,548,848) und ein vorderes Teilstück (50, 550) aufweist, welches an das genannte hintere Teilstück (48) anschließt, wobei das genannte vordere Teilstück einen Endbereich (52) und einen Ablegebereich (54) aufweist, welcher sowohl an den genannten Endbereich (52) als auch an das genannte hintere Teilstück (48) anschließt, und das genannte vordere Teilstück und das genannte hintere Teilstück die Richtung der Längserstreckung des genannten absorbierenden Bauteils definieren, wobei die Quererstreckung dazu lotrecht ist, **dadurch gekennzeichnet**, daß der genannte Ablegebereich (54), welcher in der Zone der typischen Flüssigkeitsablegung positioniert ist, mit einer Erfassungszone (56, 656), welche eine äußere Begrenzung aufweist, und einer Speicherzone (58, 558, 658 858) ausgebildet ist, welche mindestens teilweise seitlich die äußere Begrenzung der genannten Erfassungszone umgibt und in Fluidkommunikation damit ist, wobei die durchschnittliche Dichte und das durchschnittliche Flächengewicht der genannten Erfassungszone größer als Null, aber geringer als die durchschnittliche Dichte und das durchschnittliche Flächengewicht der genannten Speicherzone sind, wobei das absorbierende gelbildende Material einen Schermodulus im Bereich von 0,025 bis 0,920 N/cm² (2500-92000 Dyn/cm²) aufweist, sodaß die Partikel absorbierenden gelbildenden Materials sich nicht bis zu einem solchen Grad verformen, daß der Kapillarrhohlraum im wesentlichen gefüllt ist.
2. Ein absorbierender Bauteil nach Anspruch 1, bei welchem das Verhältnis der durchschnittlichen Dichte der genannten Speicherzone (58) zur durchschnittlichen Dichte der genannten Erfassungszone (56) gleich oder größer als 1,25:1, bevorzugter gleich oder größer als 2:1, ist.

3. Ein absorbierender Bauteil nach einem der Ansprüche 1 und 2, bei welchem die durchschnittliche Dichte der genannten Erfassungszone (56) von 0,05 bis 0,15 g/cm³ ist.
- 5 4. Ein absorbierender Bauteil nach einem der Ansprüche 1 bis 3, bei welchem die obere Oberflächenzone der genannten Erfassungszone (56) vollständig innerhalb des genannten vorderen Teilstücks (50), vorzugsweise innerhalb des genannten Ablegebereichs (54) und am bevorzugtesten so positioniert ist, daß mindestens 30% der oberen Oberflächenzone in der vorderen Hälfte des genannten vorderen Teilstücks (50) positioniert sind.
- 10 5. Ein absorbierender Bauteil nach Anspruch 4, bei welchem die obere Oberflächenzone der genannten Erfassungszone (56) eine Form aufweist, welche aus einer kreisförmigen, rechteckigen, dreieckigen, trapezoiden, länglichen, stundenglasförmigen, trichterförmigen, Hundeknochen-förmigen und ovalen ausgewählt ist, wobei die genannte Erfassungszone vorzugsweise quer zentriert ist.
- 15 6. Ein absorbierender Bauteil nach einem der Ansprüche 4 und 5, bei welchem das obere Oberflächenfeld der genannten Erfassungszone (56) weniger als 50%, bevorzugter weniger als 20%, des oberen Oberflächenfeldes des genannten vorderen Teilstücks (50) umfaßt.
- 20 7. Ein absorbierender Bauteil nach einem der Ansprüche 1 bis 6, bei welchem die Erfassungszone (56, 556) eine Mischung aus hydrophilem Fasermaterial und partikelartigem absorbierenden gelbildenden Material umfaßt.
- 25 8. Ein absorbierender Bauteil nach einem der vorhergehenden Ansprüche, bei welchem die Dispersion aus hydrophilem Fasermaterial und diskreten Partikeln eines absorbierenden gelbildenden Materials einheitlich ist und ein Faser-zu-Partikelmaterial-Gewichtsverhältnis von 40:60 bis 98:2, bevorzugter von 50:50 bis 91:9, aufweist.
- 30 9. Ein absorbierender Bauteil nach einem der vorhergehenden Ansprüche, bei welchem das genannte vordere Teilstück (50) weiters zwei quer beabstandete Ohrbereiche (60,62,860,862) und einen mittleren Bereich (64,864), welcher zwischen den genannten Ohrbereichen angeordnet ist, aufweist, wobei die genannte Erfassungszone (56) innerhalb des genannten mittleren Bereichs (64) positioniert ist.
- 35 10. Ein absorbierender Kern, welcher einen absorbierenden Bauteil (642) in Übereinstimmung mit einem der vorhergehenden Ansprüche in Kombination mit einem absorbierenden Erfassungskern (674) umfaßt, welcher anliegend an den genannten absorbierenden Bauteil (642) positioniert ist und gegebenenfalls hydrophile Fasern umfaßt, welche im wesentlichen frei von absorbierendem gelbildenden Material sind.
- 40 11. Ein absorbierender Kern nach Anspruch 10, bei welchem der genannte absorbierende Erfassungskern (674) eine Kernerfassungszone mit einer geringeren durchschnittlichen Dichte und einem geringeren durchschnittlichen Flächengewicht als der Rest des genannten absorbierenden Erfassungskerns aufweist, wobei die genannte Kernerfassungszone im Hinblick auf die genannte Erfassungszone (656) des genannten absorbierenden Bauteils (642) so positioniert ist, um mindestens einen Abschnitt der genannten Erfassungszone (656) des genannten absorbierenden Bauteils (642) zu überdecken, um eine Gesamterfassungszone über die gesamte Dicke des absorbierenden Kerns hin zu ergeben, wobei die
45 genannte Kernerfassungszone vorzugsweise dieselbe Form wie die genannte Erfassungszone (656) des genannten absorbierenden Bauteils (642) aufweist.
- 50 12. Ein absorbierender Kern nach einem der Ansprüche 10 und 11, bei welchem der genannte absorbierende Bauteil (642) und die genannte absorbierende Erfassungszone (674) jeweils eine kontinuierliche Bahn aus faserigem Material sind.
- 55 13. Ein absorbierender Artikel mit einem flüssigkeitsdurchlässigen Deckblatt (38); einem flüssigkeitsundurchlässigen Rückenblatt (42), welches mit dem genannten Deckblatt (38) verbunden ist; und einem absorbierenden Körper (42), welcher zwischen dem genannten Deckblatt (38) und dem genannten Rückenblatt (40) positioniert ist, **dadurch gekennzeichnet**, daß der absorbierende Körper (42) einen absorbierenden Bauteil in Übereinstimmung mit einem der Ansprüche 1 bis 9, vorzugsweise als Teil eines absorbierenden Kerns in Übereinstimmung mit einem der Ansprüche 10 bis 12, umfaßt, wobei der absorbierende Bauteil vorzugsweise eine asymmetrische Gestalt aufweist.

14. Ein absorbierender Artikel nach einem der Ansprüche 12 oder 13, bei welchem der genannte absorbierende Bauteil (642) im allgemeinen länglich ist und ein oberes Oberflächenfeld aufweist, welches das 0,25-fache bis 1,0-fache des absorbierenden Erfassungskerns (674) ist, wobei der genannte absorbierende Bauteil (642) in Bezug auf das genannte Rückenblatt (40) und den genannten absorbierenden Erfassungskern (674) auf eine Art positioniert ist, sodaß mindestens 75% des absorbierenden gelbildenden Materials im genannten absorbierenden Bauteil innerhalb des vorderen Zwei-Drittel-Abschnitts des absorbierenden Artikels vorgefunden werden.
15. Ein absorbierender Artikel nach einem der Ansprüche 12 bis 14, bei welchem die genannte Erfassungszone (56, 656) des genannten absorbierenden Bauteils (42, 542) in Bezug auf das genannte Rückenblatt (40) so positioniert ist, daß das obere Oberflächenfeld der genannten Erfassungszone (56, 656) vollständig innerhalb des vorderen Zwei-Drittel-Abschnitts des absorbierenden Artikels, vorzugsweise innerhalb des vorderen Hälfteabschnitts des absorbierenden Artikels, bevorzugter innerhalb des Schrittbereichs (26) des genannten Artikels und am bevorzugtesten so positioniert ist, daß das obere Oberflächenfeld der genannten Erfassungszone weniger als 50% des oberen Oberflächenfeldes des genannten Schrittbereichs (26) umfaßt.

Revendications

1. Une structure absorbante (42, 542, 642, 842) comprenant un mélange d'un matériau fibreux hydrophile et de particules discrètes d'un matériau absorbant gélifiant, ledit matériau absorbant gélifiant étant dispersé à travers la structure absorbante, ladite structure absorbante ayant une section arrière (48, 548, 848) et une section avant (50, 550) contigüe à ladite section arrière (48), ladite section avant ayant une partie d'extrémité (52) et une partie de dépôt (54) toutes les deux contigües à la fois à ladite partie d'extrémité (52) et à ladite section arrière (48) et lesdites sections avant et arrière définissant la direction de l'étendue longitudinale de ladite structure absorbante, l'étendue latérale étant perpendiculaire à celle-ci,
- caractérisée en ce que ladite partie de dépôt (54), qui est disposée dans la surface de dépôt typique des liquides, comporte une zone de recueil (56, 656) ayant un périmètre et une zone d'emmagasinage (58, 558, 658, 858) entourant latéralement, au moins partiellement, le périmètre de ladite zone de recueil et étant en communication fluïdique avec elle, la densité moyenne et le grammage moyen de ladite zone de recueil étant supérieurs à 0 mais inférieurs à la densité moyenne et au grammage moyen de ladite zone d'emmagasinage, le matériau absorbant gélifiant ayant un module de cisaillement de l'ordre de 0,025-0,920 N/cm² (2 500- 92 000 dynes/cm²) de telle sorte que les particules du matériau absorbant gélifiant ne sédèforment pas suffisamment pour que l'espace capillaire vide soit pratiquement rempli.
2. Une structure absorbante selon la revendication 1, dans laquelle le rapport de la densité moyenne de ladite zone d'emmagasinage (58) à la densité moyenne de ladite zone de recueil (56) est égal ou supérieur à 1,25:1, et, de préférence, égal ou supérieur à 2:1.
3. Une structure absorbante selon l'une quelconque des revendications 1 et 2, dans laquelle la densité moyenne de ladite zone de recueil (56) va de 0,05 à 0,15g/cm³.
4. Une structure absorbante selon l'une quelconque des revendications 1-3, dans laquelle la surface de dessus de ladite zone de recueil (56) est entièrement disposée dans ladite section avant (50), de préférence, dans ladite partie de dépôt (54), et mieux encore de telle sorte qu'au moins 30 % de la surface de dessus soient disposés dans la moitié avant de ladite section avant (50).
5. Une structure absorbante selon la revendication 4, dans laquelle la surface de dessus de ladite section de recueil (56) a une forme choisie parmi les formes circulaire, rectangulaire, triangulaire, trapézoïdale, oblongue, en forme de sablier, en forme de tunnel, en forme d'osselet et ovale, ladite zone de recueil étant, de préférence, centrée transversalement.
6. Une structure absorbante selon l'une quelconque des revendications 4 et 5, dans laquelle la surface de dessus de ladite zone de recueil (56) comprend moins de 50 % et, de préférence, moins de 20 % de la surface de dessus de ladite section avant (50).

7. Une structure absorbante selon l'une quelconque des revendications 1-6, dans laquelle la zone de recueil (56, 556) comprend un mélange d'un matériau fibreux hydrophile, et d'un matériau absorbant gélifiant particulaire.
- 5 8. Une structure absorbante selon l'une quelconque des revendications précédentes, dans laquelle la dispersion du matériau fibreux hydrophile et des particules discrètes de matériau absorbant gélifiant est uniforme et présente un rapport pondéral fibre-particule allant de 40:60 à 98 : 2, et, de préférence, allant de 50:50 à 91:9.
- 10 9. Une structure absorbante selon l'une quelconque des revendications précédentes, dans laquelle ladite section avant (50) comporte, en outre, deux parties d'oreilles espacées transversalement (60, 62, 860, 862) et une partie centrale (64, 864) disposée entre lesdites parties d'oreille, ladite zone de recueil (56) étant disposée dans ladite partie centrale (64).
- 15 10. Une âme absorbante comprenant une structure absorbante (642) selon l'une quelconque des revendications précédentes en combinaison avec une âme absorbante de recueil (674) disposée près de ladite structure absorbante (642) et comprenant éventuellement des fibres hydrophiles qui sont pratiquement exemptes de matériau absorbant gélifiant.
- 20 11. Une âme absorbante selon la revendication 10, dans laquelle ladite âme absorbante de recueil (674) a une zone d'âme de recueil ayant une densité moyenne et un grammage moyen supérieurs à ceux du reste de ladite âme absorbante de recueil, ladite zone d'âme de recueil étant disposée par rapport à ladite zone de recueil (656) de ladite structure absorbante (642) afin de recouvrir au moins une partie de ladite zone de recueil (656) de ladite structure absorbante (642) pour ménager une zone de recueil
25 globale à travers l'épaisseur toute entière de ladite âme absorbante, ladite zone d'âme de recueil ayant, de préférence, la même forme que ladite zone de recueil (656) de ladite structure absorbante (642).
- 30 12. Une âme absorbante selon l'une quelconque des revendications 10 et 11, dans laquelle ladite structure absorbante (642) et ladite âme absorbante de recueil (674) sont chacune une bande continue d'un matériau fibreux.
- 35 13. Un article absorbant ayant une feuille de dessus perméable aux liquides (38) ; une feuille de fond imperméable aux liquides (40) associée avec ladite feuille de dessus (38); et un corps absorbant (42), disposé entre ladite feuille de dessus (38) et ladite feuille de fond (40), caractérisé en ce que le corps absorbant (42) comprend une structure absorbante selon l'une quelconque des revendications 1-9, de préférence, en tant que partie d'une âme absorbante conforme à l'une quelconque des revendications 10-12, la structure absorbante ayant, de préférence, une forme asymétrique.
- 40 14. Un article absorbant selon l'une quelconque des revendications 12 ou 13, dans lequel ladite structure absorbante (642) est généralement oblongue et présente une surface de dessus égale de 0,25 à 1,0 fois celle de ladite âme absorbante de recueil (674), ladite structure absorbante (642) étant disposée par rapport à ladite feuille de fond (40) et ladite âme absorbante de recueil (647) de manière qu'au moins 75 % du matériau absorbant gélifiant contenu dans ladite structure absorbante se trouvent dans
45 les deux tiers avant de l'article absorbant.
- 50 15. Un article absorbant selon l'une quelconque des revendications 12-14, dans lequel ladite zone de recueil (56, 556) de ladite structure absorbante (42, 542) est disposée par rapport à ladite feuille de fond (40) de telle sorte que la surface de dessus de ladite zone de recueil (56, 556) soit entièrement disposée dans les deux tiers avant de l'article absorbant, de préférence, dans la moitié avant de l'article absorbant et mieux dans la partie d'entrejambe (26) dudit article et mieux encore de telle sorte que la surface de dessus de ladite zone de recueil comprenne moins de 50 % de la surface de dessus de ladite partie d'entrejambe (26).

Fig. 1

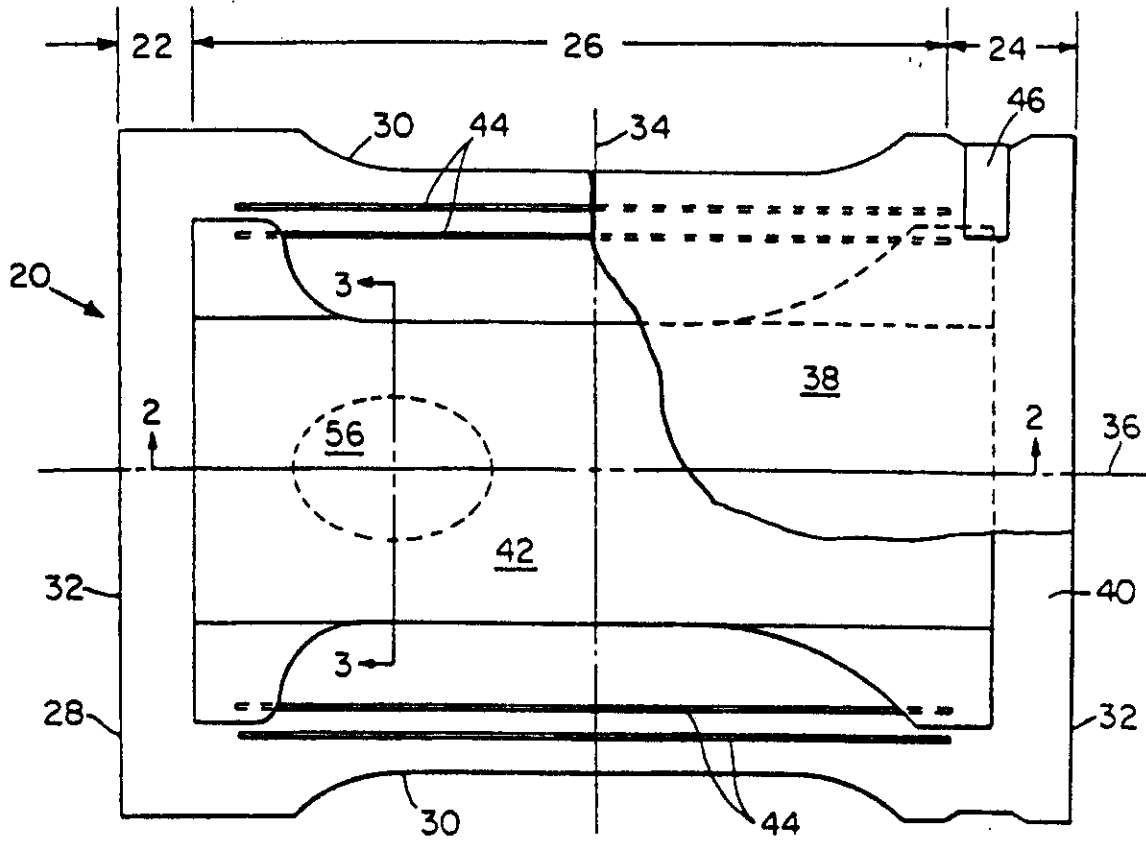


Fig. 2

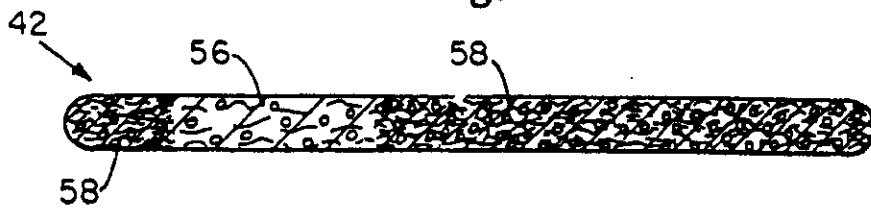
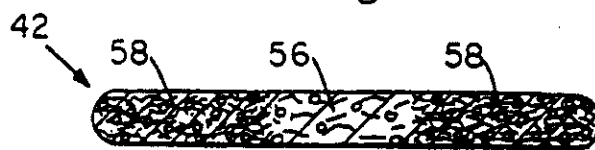


Fig. 3



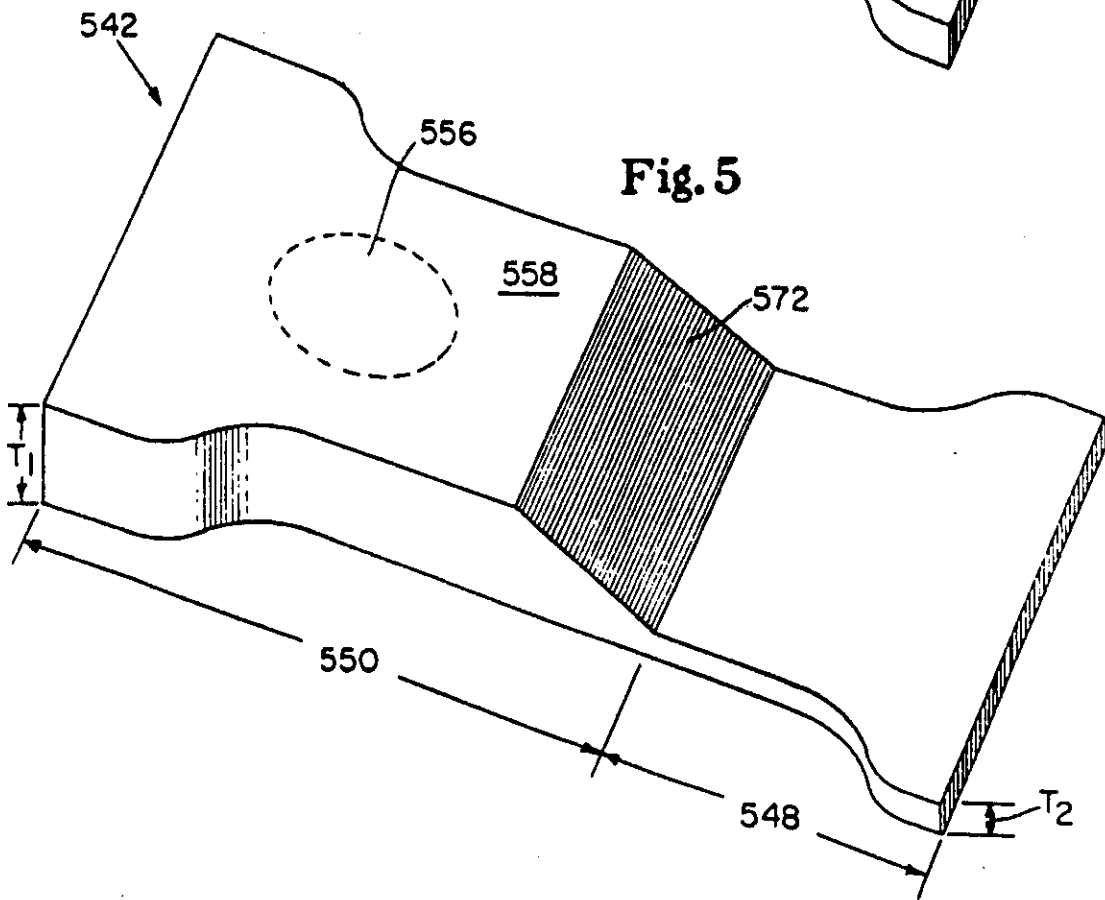
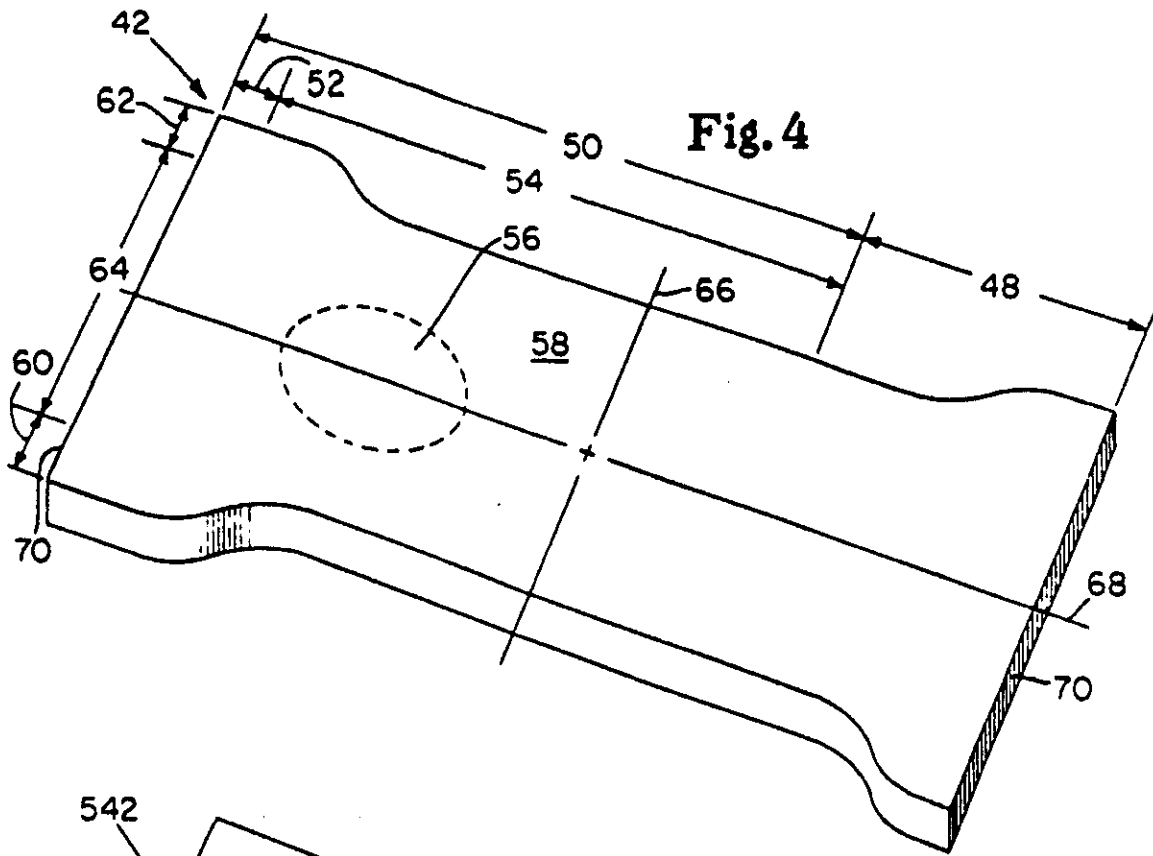


Fig. 6

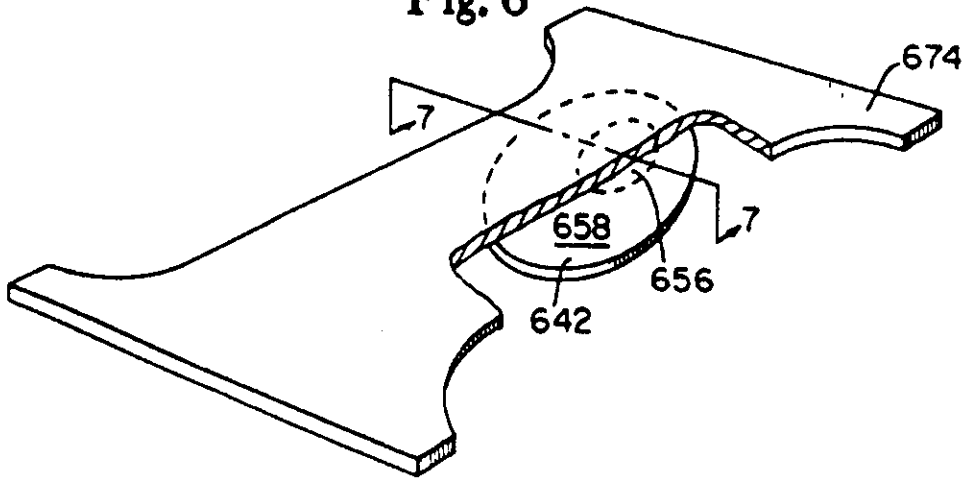


Fig. 7

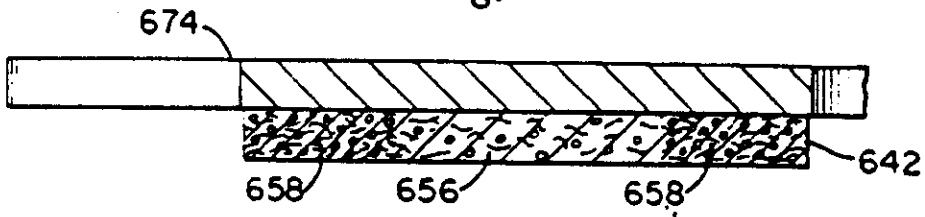
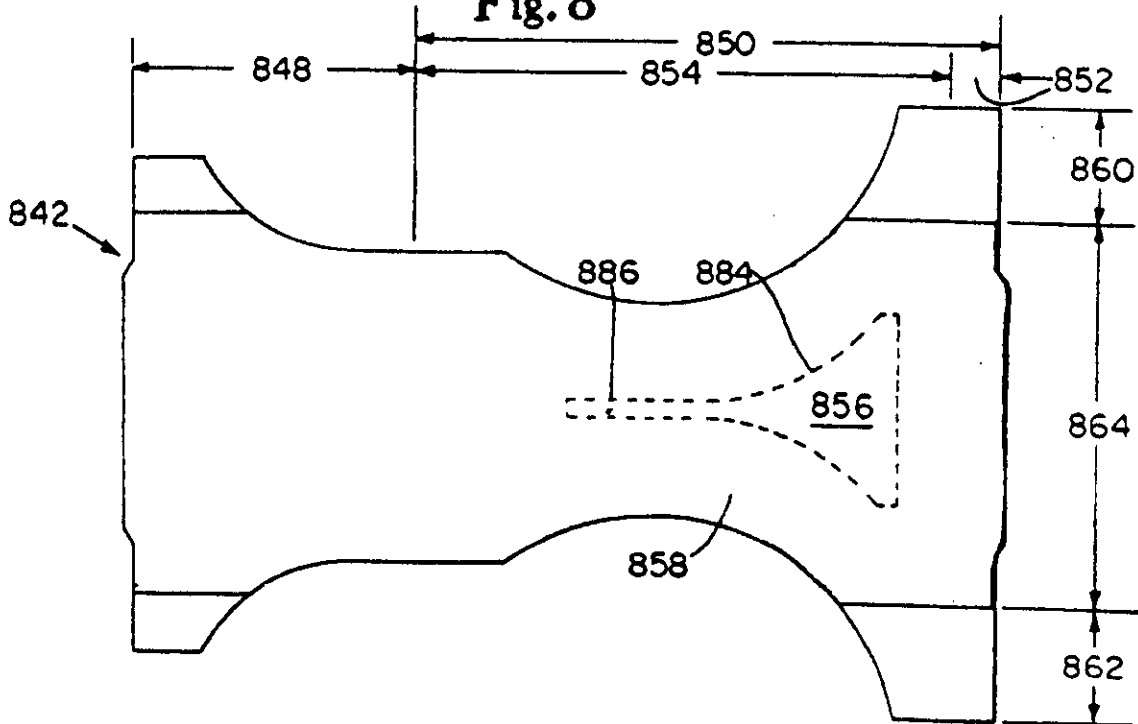


Fig. 8



REGISTER ENTRY FOR EP0254476

European Application No EP87306259.0 filing date 15.07.1987

Priority claimed:

18.07.1986 in United States of America - doc: 887584

Designated States BE CH DE ES FR GB GR IT LI LU NL SE AT

Title HIGH DENSITY ABSORBENT MEMBERS HAVING LOWER DENSITY AND LOWER BASIS WEIGHT ACQUISITION ZONES AND ABSORBENT CORES AND ARTICLES INCORPORATING SUCH MEMBERS

Applicant/Proprietor

THE PROCTER & GAMBLE COMPANY, One Procter & Gamble Plaza, Cincinnati Ohio 45202, United States of America [ADP No. 50339258001]

Inventors

MIGUEL ALEMANY, 5412 Douglasfirt Court, Cincinnati Ohio 45247, United States of America [ADP No. 55419485001]

CHARLES JOHN BERG, 6781 Greenfield Drive, Cincinnati Ohio 45224, United States of America [ADP No. 55419493001]

Classified to

A5R
A61F

Address for Service

PROCTER & GAMBLE, P.O. Box Forest Hall No. 2, NEWCASTLE UPON TYNE, United Kingdom [ADP No. 00022533001]

EPO Representative

TONY NICHOLAS GIBSON, Procter & Gamble (NTC) Limited Whitley Road, Longbenton Newcastle upon Tyne NE12 9TS, United Kingdom [ADP No. 50840834001]

Publication No EP0254476 dated 27.01.1988

Publication in English

Examination requested 15.07.1987

Patent Granted with effect from 08.02.1995 (Section 25(1)) with title HIGH DENSITY ABSORBENT MEMBERS HAVING LOWER DENSITY AND LOWER BASIS WEIGHT ACQUISITION ZONES AND ABSORBENT CORES AND ARTICLES INCORPORATING SUCH MEMBERS

03.07.1989 EPO: Search report published on 02.08.1989

Entry Type 25.11 Staff ID.

Auth ID. EPT

31.12.1993 Notification from EPO of change of EPO Representative details from
TONY NICHOLAS GIBSON, Procter & Gamble (NTC) Limited Whitley Road,
Longbenton Newcastle upon Tyne NE12 9TS, United Kingdom

[ADP No. 50840834001]

to

JOHAN JAN BOTTEMA, Procter & Gamble GmbH Sulzbacher Strasse 40,
D-65818 Schwalbach am Taunus, Federal Republic of Germany

[ADP No. 61440590001]

Entry Type 25.14 Staff ID. RD06 Auth ID. EPT

06.01.1995 Notification from EPO of change of EPO Representative details from
JOHAN JAN BOTTEMA, Procter & Gamble GmbH Sulzbacher Strasse 40,
D-65818 Schwalbach am Taunus, Federal Republic of Germany

[ADP No. 61440590001]

to

JOHAN JAN BOTTEMA, Procter & Gamble GmbH Patent Department
Sulzbacher Strasse 40-50, D-65824 Schwalbach am Taunus, Federal
Republic of Germany

[ADP No. 61440590001]

Entry Type 25.14 Staff ID. RD06 Auth ID. EPT

27.10.1997 FILE RAISED 27th October 1997

Entry Type 10.1 Staff ID. AB Auth ID. EO

**** END OF REGISTER ENTRY ****

OA80-01
EP

OPTICS - PATENTS

06/11/97 11:46:38
PAGE: 1

RENEWAL DETAILS

PUBLICATION NUMBER EP0254476

PROPRIETOR(S)

THE PROCTER & GAMBLE COMPANY, One Procter & Gamble Plaza,
Cincinnati Ohio 45202, United States of America

DATE FILED 15.07.1987

DATE GRANTED 08.02.1995

DATE NEXT RENEWAL DUE 15.07.1998

DATE NOT IN FORCE

DATE OF LAST RENEWAL 07.07.1997

YEAR OF LAST RENEWAL 11

STATUS PATENT IN FORCE

**** END OF REPORT ****