



US00D723909S

(12) **United States Design Patent**
McShane

(10) **Patent No.:** **US D723,909 S**

(45) **Date of Patent:** **** Mar. 10, 2015**

(54) **SHEET PILE CONNECTOR FOR
CONNECTING SHEET PILES**

(71) Applicant: **PilePro LLC**, Creedmoor, Austin, TX
(US)

(72) Inventor: **Gerry McShane**, Bernardsville, NJ (US)

(73) Assignee: **PilePro LLC**, Austin, TX (US)

(**) Term: **14 Years**

(21) Appl. No.: **29/487,958**

(22) Filed: **Apr. 14, 2014**

(30) **Foreign Application Priority Data**

Oct. 15, 2013 (EM) 002326660-0002

(51) **LOC (10) Cl.** **08-08**

(52) **U.S. Cl.**
USPC **D8/382**

(58) **Field of Classification Search**
USPC D8/382, 394-395; D25/121, 119, 61;
405/274, 277, 278-279; 24/370, 346,
24/573.09

See application file for complete search history.

(56) **References Cited**

U.S. PATENT DOCUMENTS

D379,299 S *	5/1997	Fitzgibbons	D8/402
6,428,244 B1 *	8/2002	Wall	405/279
D520,350 S *	5/2006	Wall	D8/382
D521,364 S *	5/2006	Wall	D8/382
D526,888 S *	8/2006	Heindl	D8/382
D542,633 S *	5/2007	Heindl	D8/382
D623,932 S *	9/2010	Austro	D8/382
7,955,029 B2 *	6/2011	Heindl	405/274
D649,443 S *	11/2011	Heindl	D8/382
8,066,453 B2 *	11/2011	Heindl	405/274

* cited by examiner

Primary Examiner — Sheryl Lane

(74) *Attorney, Agent, or Firm* — Merchant & Gould P.C.

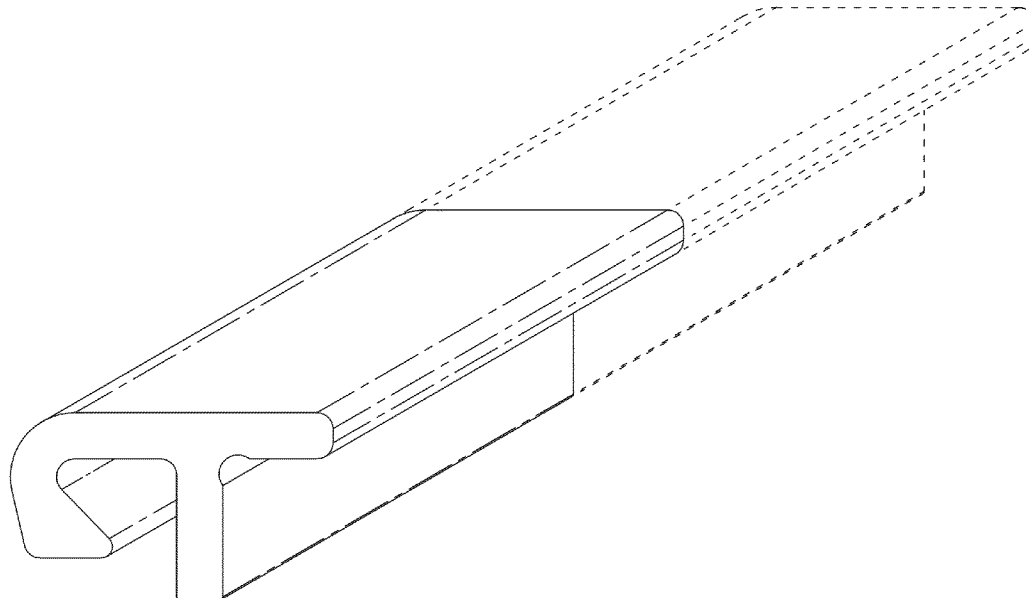
(57) **CLAIM**

The ornamental design for a sheet pile connector for connecting sheet piles, as shown and described.

DESCRIPTION

FIG. 1 is a perspective view of the sheet pile connector for connecting sheet piles according to my design; FIG. 2 is an end view of the sheet pile connector of FIG. 1, the opposite end view being a mirror image thereof; FIG. 3 is a front view of the sheet pile connector of FIG. 1; FIG. 4 is a rear view of the sheet pile connector of FIG. 1; FIG. 5 is a top view of the sheet pile connector of FIG. 1; and, FIG. 6 is a bottom view of the sheet pile connector of FIG. 1. The broken lines represent environment and form no part of the claimed design.

1 Claim, 6 Drawing Sheets



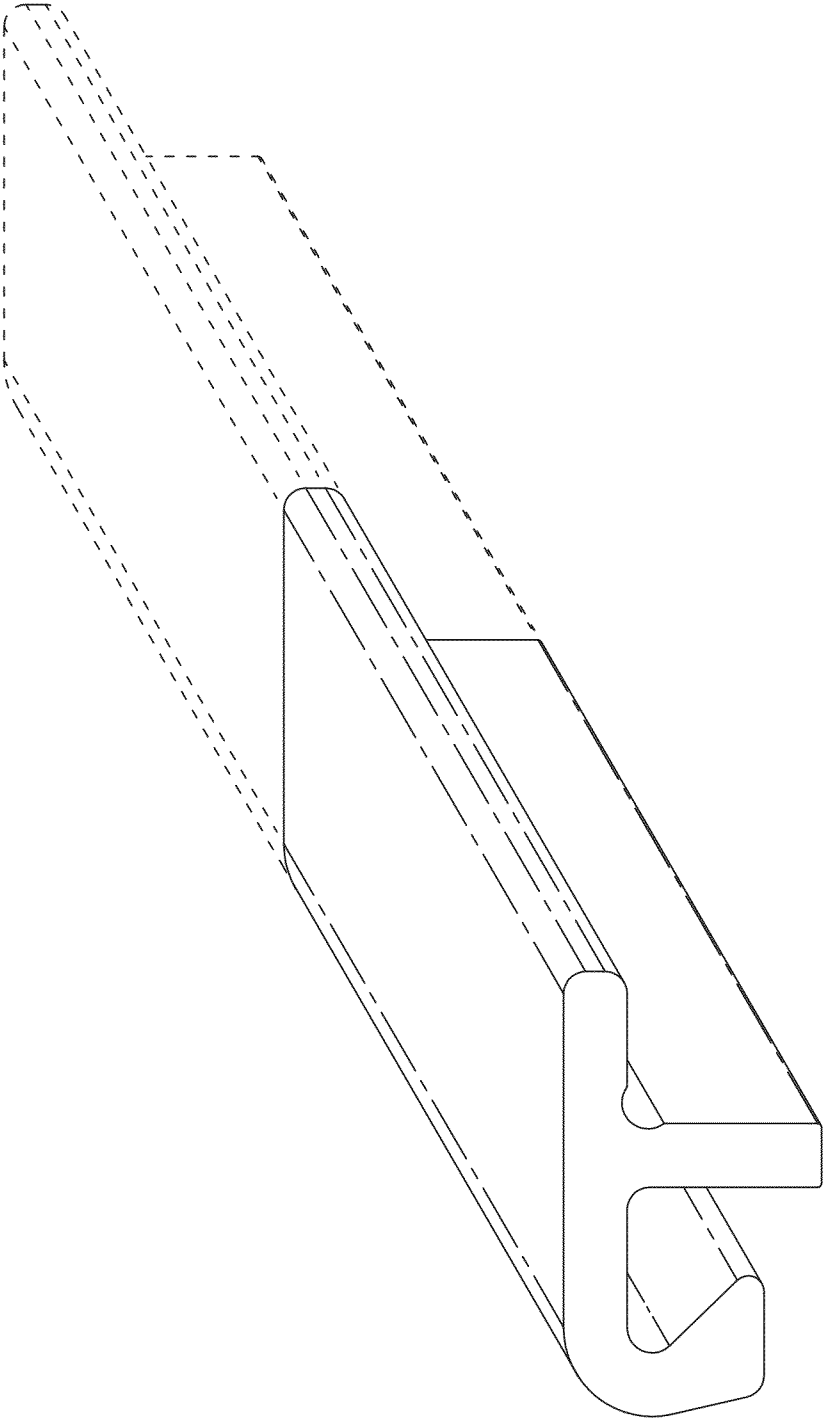


FIG. 1

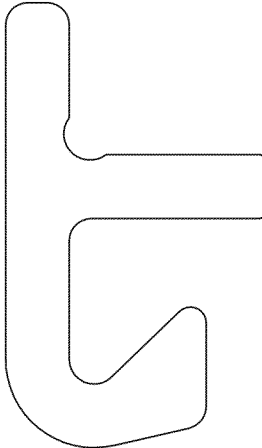


FIG. 2

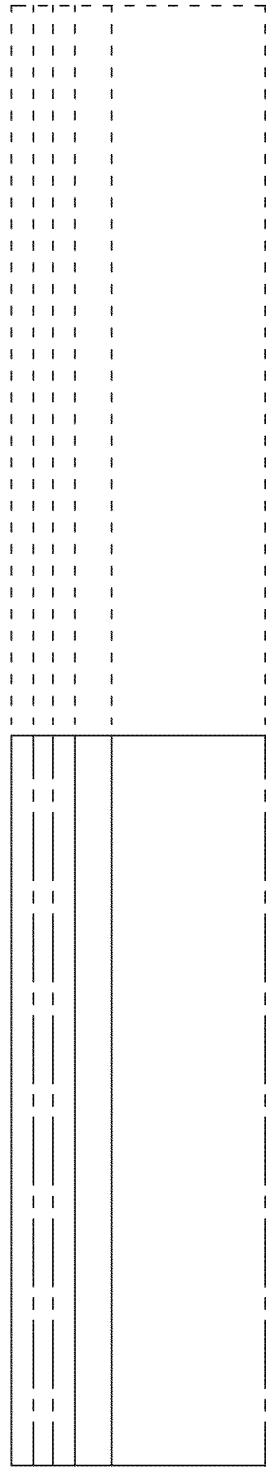


FIG. 3

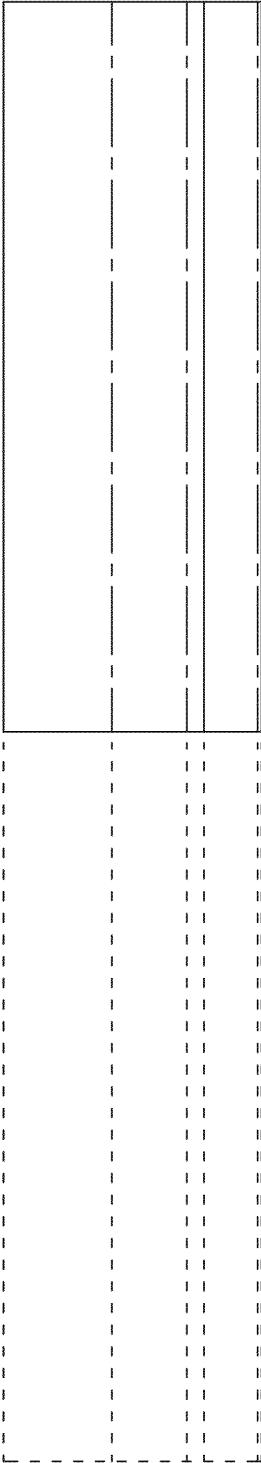


FIG. 4

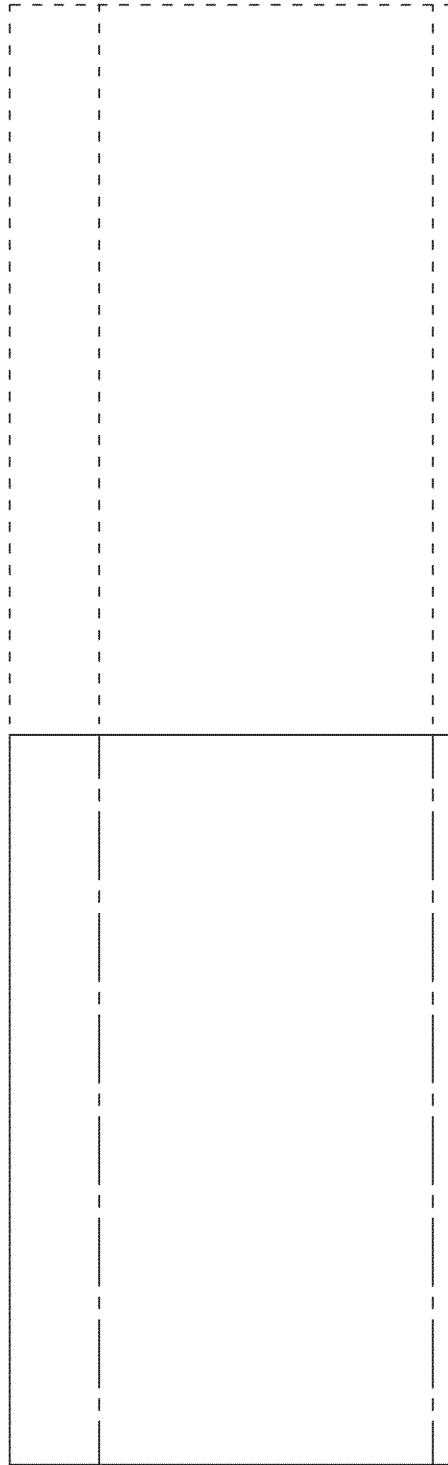


FIG. 5

FIG. 6

