

(19) World Intellectual Property Organization
International Bureau



(43) International Publication Date
23 July 2009 (23.07.2009)

(10) International Publication Number
WO 2009/091647 A3

(51) International Patent Classification:

H04W 64/00 (2009.01) H04W 8/22 (2009.01)
H04W 4/02 (2009.01) H04W 8/18 (2009.01)

(21) International Application Number:

PCT/US2009/030310

(22) International Filing Date:

7 January 2009 (07.01.2009)

(25) Filing Language:

English

(26) Publication Language:

English

(30) Priority Data:

12/015,813 17 January 2008 (17.01.2008) US

(71) Applicant (for all designated States except US):
GARMIN LTD.; PO Box 10670, 45 Market Street, Suite #3206B, Gardenia Court, Camana Bay (KY).

(72) Inventors; and

(75) Inventors/Applicants (for US only): **YONKER, Jason, B.** [US/US]; 976 NW High Point Drive, Lee's Summit, MO 64081 (US). **BARTEL, Charles, L.** [US/US]; 10009 W 126th Street, Overland Park, KS 66213 (US).

(74) Agents: **KORTE, Samuel, M.** et al.; Garmin International, Inc., 1200 East 151st Street, Olathe, KS 66062 (US).

(81) Designated States (unless otherwise indicated, for every kind of national protection available): AE, AG, AL, AM, AO, AT, AU, AZ, BA, BB, BG, BH, BR, BW, BY, BZ, CA, CH, CN, CO, CR, CU, CZ, DE, DK, DM, DO, DZ, EC, EE, EG, ES, FI, GB, GD, GE, GH, GM, GT, HN, HR, HU, ID, IL, IN, IS, JP, KE, KG, KM, KN, KP, KR, KZ, LA, LC, LK, LR, LS, LT, LU, LY, MA, MD, ME, MG, MK, MN, MW, MX, MY, MZ, NA, NG, NI, NO, NZ, OM, PG, PH, PL, PT, RO, RS, RU, SC, SD, SE, SG, SK, SL, SM, ST, SV, SY, TJ, TM, TN, TR, TT, TZ, UA, UG, US, UZ, VC, VN, ZA, ZM, ZW.

(84) Designated States (unless otherwise indicated, for every kind of regional protection available): ARIPO (BW, GH, GM, KE, LS, MW, MZ, NA, SD, SL, SZ, TZ, UG, ZM, ZW), Eurasian (AM, AZ, BY, KG, KZ, MD, RU, TJ, TM), European (AT, BE, BG, CH, CY, CZ, DE, DK, EE, ES, FI, FR, GB, GR, HR, HU, IE, IS, IT, LT, LU, LV, MC, MK, MT, NL, NO, PL, PT, RO, SE, SI, SK, TR), OAPI (BF, BJ, CF, CG, CI, CM, GA, GN, GQ, GW, ML, MR, NE, SN, TD, TG).

Published:

— with international search report (Art. 21(3))

[Continued on next page]

(54) Title: LOCATION-BASED PROFILE-ADJUSTING SYSTEM AND METHOD FOR ELECTRONIC DEVICE

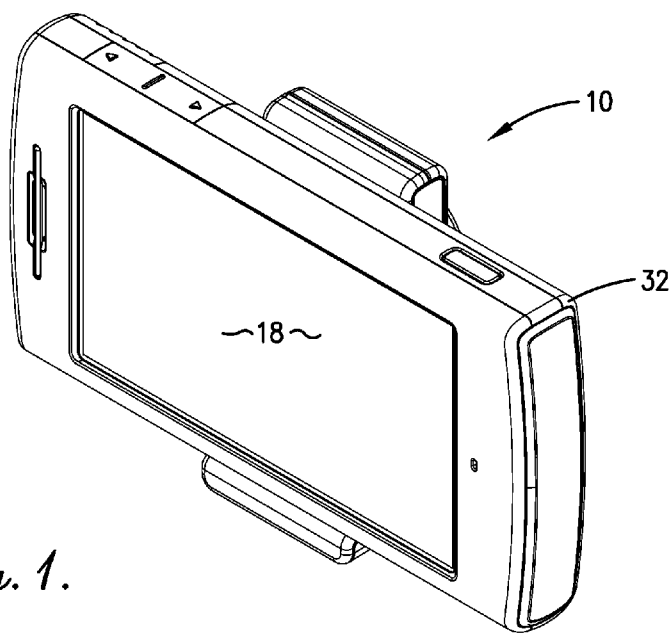


Fig. 1.

(57) Abstract: An electronic device includes a communication element, a location-determining component, a computing device, and a display. The communication element receives and transmits communication. The location-determining component monitors the location of the electronic device. The computing device is coupled to the communication element and the location-determining component and can change at least one setting of the electronic device based on the location of the device.



WO 2009/091647 A3



— *before the expiration of the time limit for amending the claims and to be republished in the event of receipt of amendments (Rule 48.2(h))*

(88) Date of publication of the international search report:
15 October 2009

INTERNATIONAL SEARCH REPORT

International application No.
PCT/US2009/030310**A. CLASSIFICATION OF SUBJECT MATTER****H04W 64/00(2009.01)i, H04W 4/02(2009.01)i, H04W 8/22(2009.01)i, H04W 8/18(2009.01)i**

According to International Patent Classification (IPC) or to both national classification and IPC

B. FIELDS SEARCHED

Minimum documentation searched (classification system followed by classification symbols)

IPC H04Q 7/20, H04M 3/42, H04Q 7/20

Documentation searched other than minimum documentation to the extent that such documents are included in the fields searched

Korean Utility Models and applications for Utility Models since 1975

Japanese Utility Models and applications for Utility Models since 1975

Electronic data base consulted during the international search (name of data base and, where practicable, search terms used)

e-KOMPASS(KIPO internal) & keyword: location, position, mobile

C. DOCUMENTS CONSIDERED TO BE RELEVANT

Category*	Citation of document, with indication, where appropriate, of the relevant passages	Relevant to claim No.
X	US 6975874 B1 (CARY LEE BATES et al.) 13 December 2005 See the abstract, figure 2, claim 1, column 1, lines 20-22, 40-42 and column 6, lines 16-25.	1-16, 19-22, 24
Y	-----	17, 18, 20, 23
X	US 6701144 B2 (BILHAN KIRBAS et al.) 02 March 2004 See the abstract, figure 3 and claim 1.	1, 5, 14, 17
Y	-----	17, 18, 20, 23
X	US 2006-0154674 A1 (ASSAF LANDSCHAFT et al.) 13 July 2006 See the abstract, figure 3 and claim 1.	1, 2, 5, 6-8, 14, 19
X	KR 10-2007-0035276 A (SK TELECOM CO., LTD.) 30 March 2007 See the abstract and claim 1.	1, 6-8, 14, 17, 19

 Further documents are listed in the continuation of Box C. See patent family annex.

* Special categories of cited documents:

"A" document defining the general state of the art which is not considered to be of particular relevance

"E" earlier application or patent but published on or after the international filing date

"L" document which may throw doubts on priority claim(s) or which is cited to establish the publication date of citation or other special reason (as specified)

"O" document referring to an oral disclosure, use, exhibition or other means

"P" document published prior to the international filing date but later than the priority date claimed

"T" later document published after the international filing date or priority date and not in conflict with the application but cited to understand the principle or theory underlying the invention

"X" document of particular relevance; the claimed invention cannot be considered novel or cannot be considered to involve an inventive step when the document is taken alone

"Y" document of particular relevance; the claimed invention cannot be considered to involve an inventive step when the document is combined with one or more other such documents, such combination being obvious to a person skilled in the art

"&" document member of the same patent family

Date of the actual completion of the international search

24 AUGUST 2009 (24.08.2009)

Date of mailing of the international search report

24 AUGUST 2009 (24.08.2009)

Name and mailing address of the ISA/KR

Korean Intellectual Property Office
Government Complex-Daejeon, 139 Seonsa-ro, Seo-gu, Daejeon 302-701, Republic of Korea

Facsimile No. 82-42-472-7140

Authorized officer

IM, DAE SHIK

Telephone No. 82-42-481-5947



INTERNATIONAL SEARCH REPORT

Information on patent family members

International application No.

PCT/US2009/030310

Patent document cited in search report	Publication date	Patent family member(s)	Publication date
US 6975874 B1	13. 12. 2005	CN 1339909 A	13. 03. 2002
		CN 1181699 C	22. 12. 2004
		CN 1329450 A	02. 01. 2002
		CN 1156191 C	30. 06. 2004
		EP 1162854 B1	26. 05. 2004
		EP 1162853 A1	12. 12. 2001
		EP 1162853 B1	02. 01. 2004
		EP 1162854 A1	12. 12. 2001
		JP 2002-044248 A	08. 02. 2002
		KR 10-0598659 B1	13. 07. 2006
		KR 10-0466727 B1	24. 01. 2005
		US 2006-0079243 A1	13. 04. 2006
		US 6999757 B2	14. 02. 2006
		US 7103366 B2	05. 09. 2006
		US 7130643 B2	31. 10. 2006
		US 7251494 B2	31. 07. 2007
		US 2001-0055974 A1	27. 12. 2001
		US 2005-0227713 A1	13. 10. 2005
		US 2005-0227714 A1	13. 10. 2005
		US 6701144 B2	02. 03. 2004
JP 2004-530328 A	30. 09. 2004		
US 2002-0123373 A1	05. 09. 2002		
WO 2002-071778 A2	12. 09. 2002		
WO 2002-071778 A3	12. 09. 2002		
US 2006-0154674 A1	13. 06. 2006	None	
KR 10-2007-0035276 A	30. 03. 2007	None	