



US00D347313S

# United States Patent [19]

[11] Patent Number: **Des. 347,313**

**Whitaker**

[45] Date of Patent: **\*\* May 31, 1994**

[54] **BOOT REMOVER**

[75] Inventor: **W. Michael Whitaker, Asheboro, N.C.**

[73] Assignee: **Whit Corporation, Ramseur, N.C.**

[\*\*] Term: **14 Years**

[21] Appl. No.: **1,119**

[22] Filed: **Nov. 4, 1992**

[52] U.S. Cl. .... **D2/642**

[58] Field of Search ..... **D2/642; 223/113, 114, 223/115, 116, 117**

[56] **References Cited**

**U.S. PATENT DOCUMENTS**

D. 212,209	9/1968	Seger	.....	D2/642 X
D. 262,240	12/1981	Greifelt	.....	D2/642
D. 275,814	10/1984	Windsor	.....	D2/642
582,484	5/1897	Pendergast	.	
960,148	5/1910	Bancroft	.	
2,883,097	4/1959	Scardamalia et al.	.....	223/114
3,526,346	9/1970	Drouillard et al.	.....	D2/642 X
3,734,364	5/1973	Mayer	.....	D2/642 X
4,760,942	8/1988	Kadar	.....	223/114

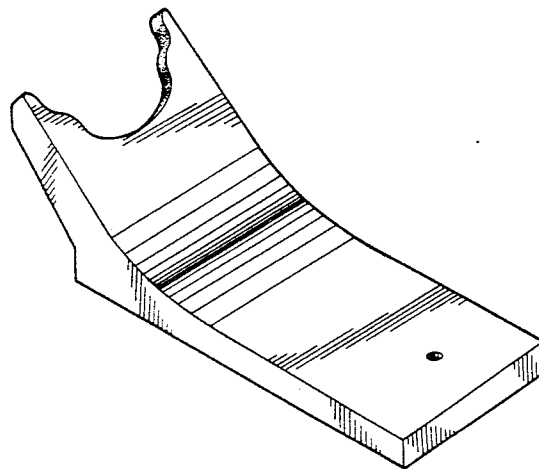
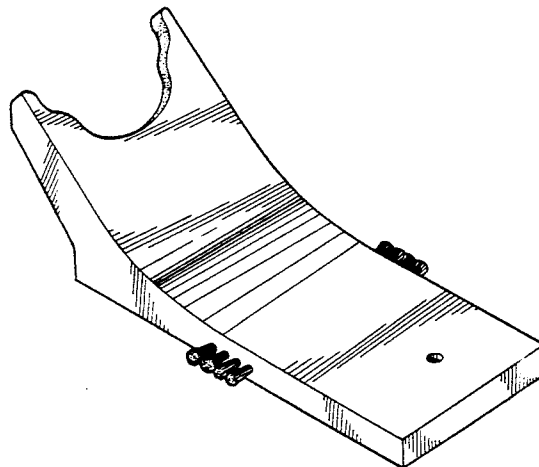
*Primary Examiner*—Bernard Ansher  
*Assistant Examiner*—Paula Mortimer  
*Attorney, Agent, or Firm*—Griffin, Butler, Whisenhunt & Kurtosy

[57] **CLAIM**

The ornamental design for a boot remover, as shown and described.

**DESCRIPTION**

FIG. 1 is a front perspective view of a boot remover showing my new design;  
FIG. 2 is a top plan view of the boot remover of FIG. 1;  
FIG. 3 is an elevational side view of the boot remover of FIG. 1, the opposite side being a mirror image thereof;  
FIG. 4 is a bottom plan view of the boot remover of FIG. 1;  
FIG. 5 is a front elevational view of the boot remover of FIG. 1;  
FIG. 6 is a rear elevational view of the boot remover of FIG. 1; and,  
FIG. 7 is a modified form of the boot remover disclosed in FIG. 1 with the omission of the bristles.



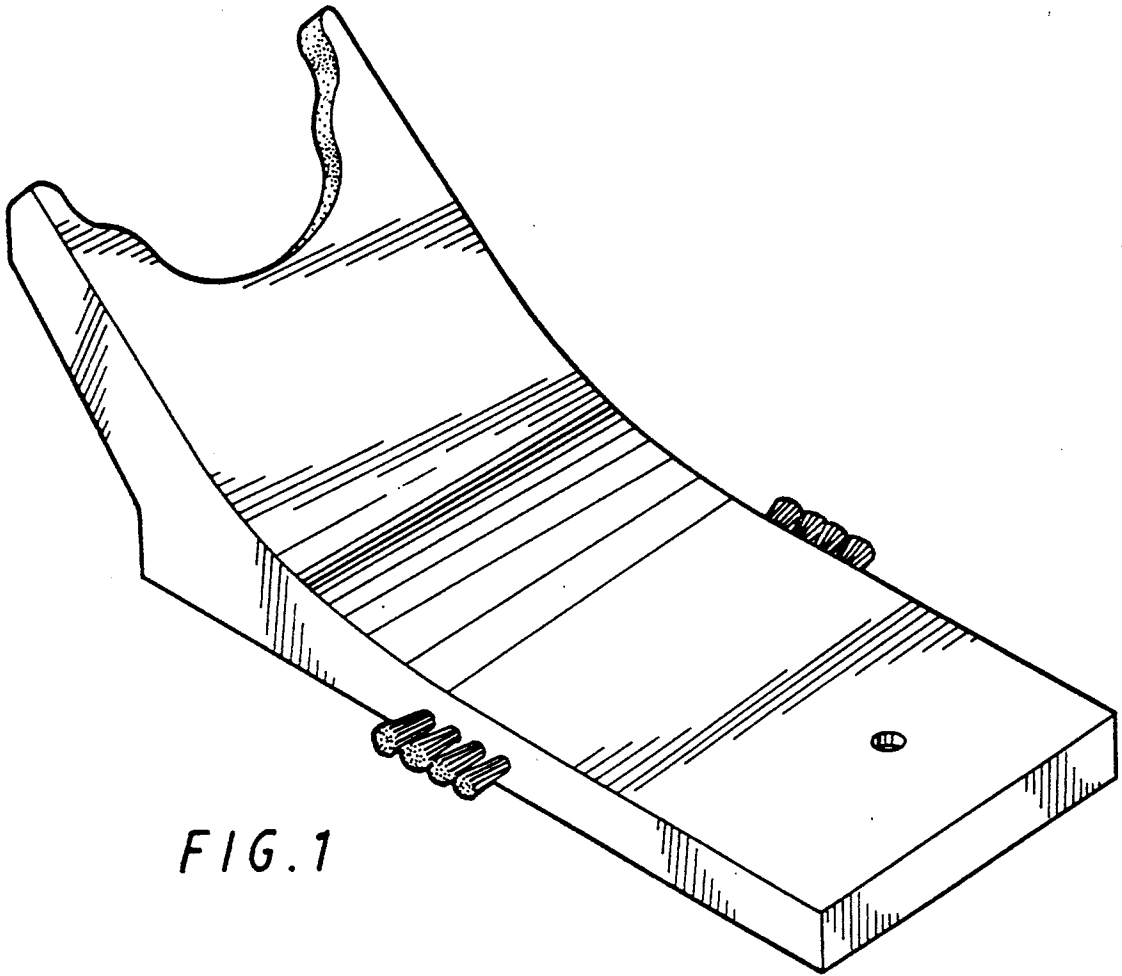


FIG. 1

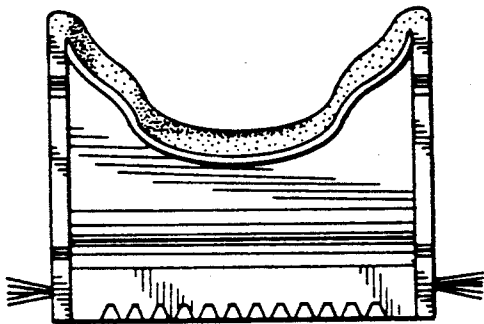


FIG. 5

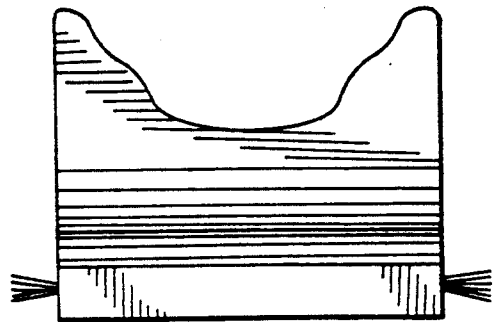


FIG. 6

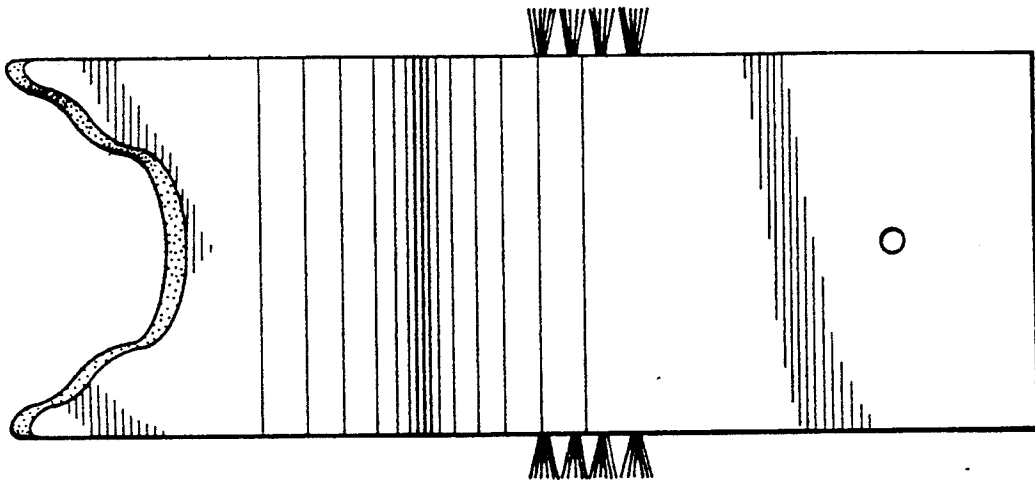


FIG. 2

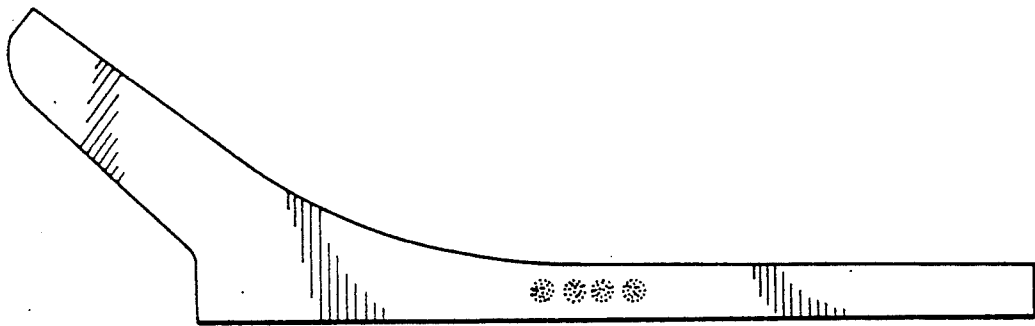


FIG. 3

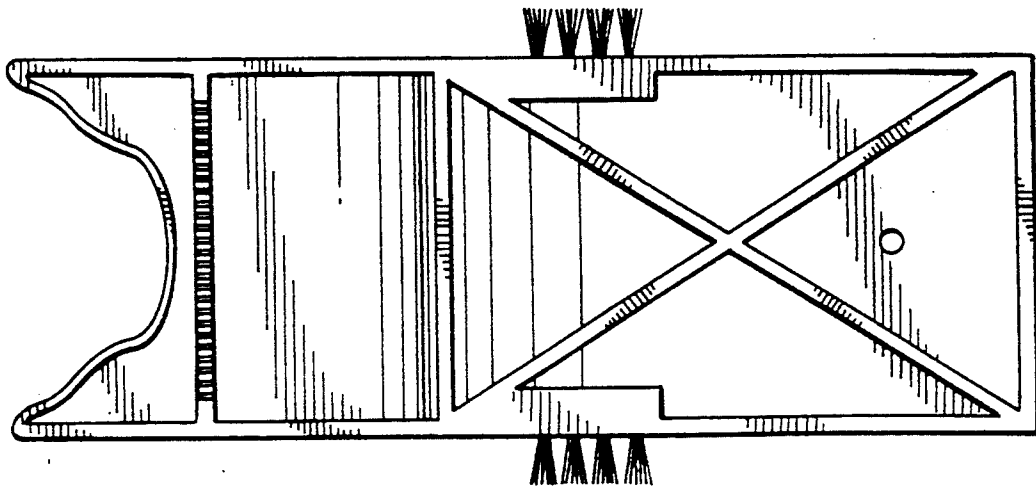


FIG. 4

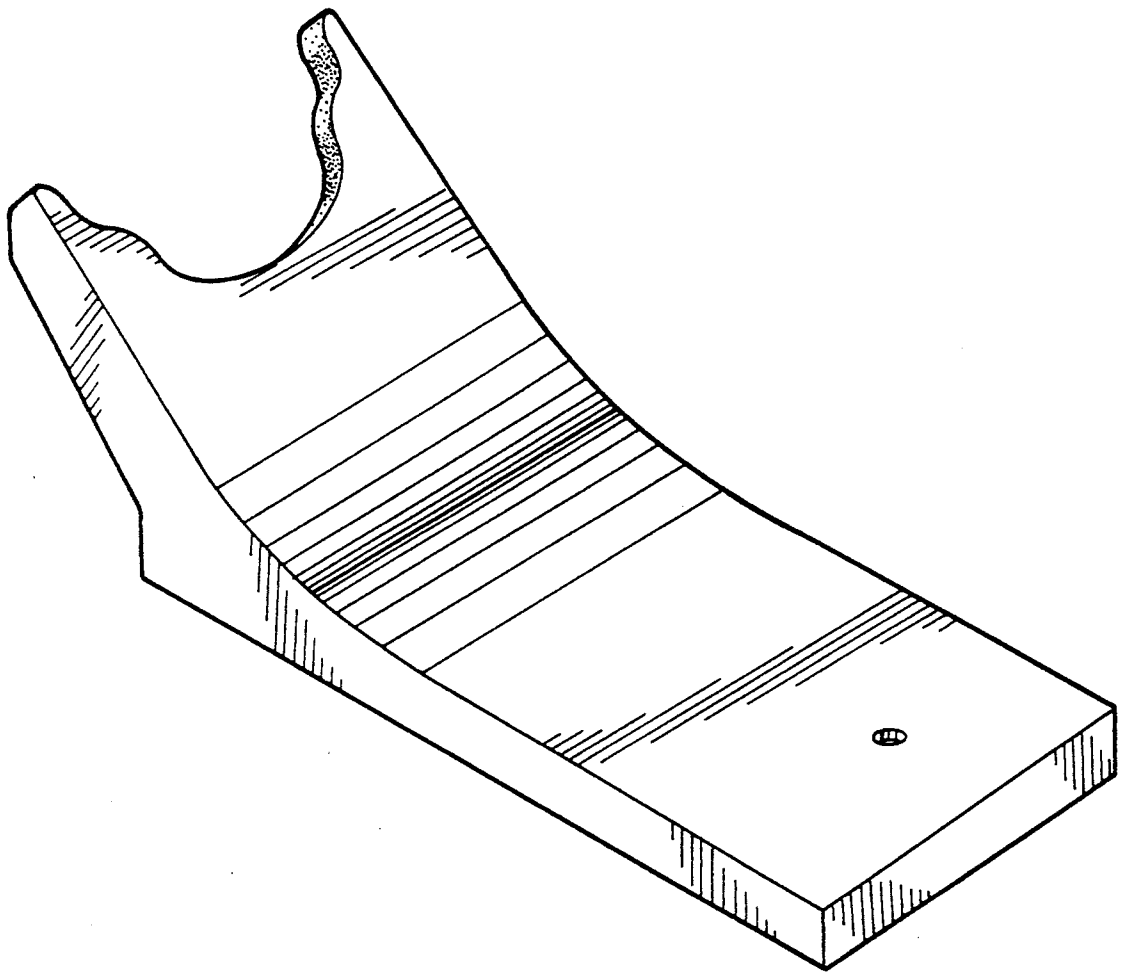


FIG. 7