



US00D787359S

(12) **United States Design Patent**
Scalisi

(10) **Patent No.:** **US D787,359 S**

(45) **Date of Patent:** **** May 23, 2017**

- (54) **DOORBELL**
- (71) Applicant: **SkyBell Technologies, Inc.**, Irvine, CA (US)
- (72) Inventor: **Joseph Frank Scalisi**, Yorba Linda, CA (US)
- (73) Assignee: **SkyBell Technologies, Inc.**, Irvine, CA (US)
- (**) Term: **15 Years**

D422,893 S	4/2000	Heredos-Formby
D435,576 S	12/2000	McBride
D435,577 S	12/2000	McBride
D442,617 S	5/2001	Ohmori
D455,767 S	4/2002	Tsang
D455,768 S	4/2002	Tsang
D480,741 S	10/2003	Berger
D487,939 S	3/2004	Smith
D494,287 S	8/2004	Matsui
6,812,970 B1	11/2004	McBride
D500,751 S	1/2005	Yukikado
D509,842 S	9/2005	Ou
7,015,943 B2	3/2006	Chiang

(Continued)

(21) Appl. No.: **29/552,567**

(22) Filed: **Jan. 22, 2016**

(51) **LOC (10) Cl.** **10-05**

(52) **U.S. Cl.** **D10/118.2**
USPC

(58) **Field of Classification Search**
USPC D10/118.2, 121, 118.1; D13/171, 174, D13/158
CPC G08B 15/001; H04M 11/025
See application file for complete search history.

(56) **References Cited**

U.S. PATENT DOCUMENTS

D179,803 S	3/1957	Gillette	
D225,379 S	12/1972	Gallagher	
D283,130 S	3/1986	Boenning	
D297,222 S	8/1988	Rauch	
5,127,244 A	7/1992	Myers	
5,345,794 A	9/1994	Jenks	
D371,086 S	6/1996	Collins	
D381,638 S	7/1997	Kruse	
5,671,624 A	9/1997	Sivils	
D392,576 S *	3/1998	Pun	D10/118
D395,814 S	7/1998	Yang	
D404,673 S	1/1999	Gordon	
6,016,677 A	1/2000	Clark	
D422,521 S	4/2000	Morrow	

OTHER PUBLICATIONS

MySkyBell.com (later SkyBell.com)—Downloaded on Nov. 18, 2013 from <http://www.myskybell.com>.

(Continued)

Primary Examiner — George D Kirschbaum

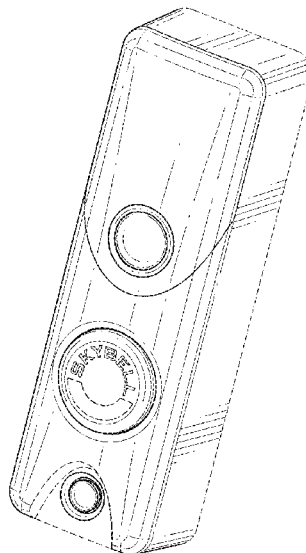
(57) **CLAIM**

The ornamental design for a doorbell, as shown and described.

DESCRIPTION

FIG. 1 is a front, side, and top perspective view of a doorbell embodying the new design;
FIG. 2 is a back, side, and bottom perspective view thereof;
FIG. 3 is a front view thereof;
FIG. 4 is a back view thereof;
FIG. 5 is a first side view thereof, the second side view being a mirror image;
FIG. 6 is a top view thereof; and,
FIG. 7 is a bottom view thereof.
The broken lines depict portions of a doorbell in which the design is embodied and form no part of the claimed design.

1 Claim, 3 Drawing Sheets



(56)

References Cited

U.S. PATENT DOCUMENTS

D519,100 S 4/2006 Shioya
 D522,490 S 6/2006 Yukikado
 D525,963 S 8/2006 Yukikado
 7,113,578 B2 9/2006 Unger
 D531,160 S 10/2006 Yukikado
 D534,566 S 1/2007 Ishii
 D537,095 S 2/2007 Alden
 D562,306 S 2/2008 Jeong
 D575,316 S 8/2008 Liu
 D577,301 S 9/2008 Johnson
 D588,574 S 3/2009 Takahata
 D592,231 S 5/2009 Schnell
 D594,311 S 6/2009 Stevens
 D595,260 S 6/2009 Takahata
 D605,542 S * 12/2009 Ho D10/118
 D634,181 S 3/2011 Kang
 D636,286 S * 4/2011 Khor D10/118
 D645,071 S 9/2011 Hinkel
 D646,801 S 10/2011 Chou
 D657,410 S 4/2012 Helaoui
 D660,819 S 5/2012 Chen
 D664,178 S 7/2012 Hinkel
 8,334,656 B2 12/2012 Weiss
 D677,297 S 3/2013 Bart
 D679,309 S 4/2013 Park
 D682,658 S 5/2013 Cramer
 D689,220 S 9/2013 Zhang
 D689,536 S 9/2013 Li
 D692,847 S 11/2013 Barley
 D694,305 S 11/2013 Katori
 D694,306 S 11/2013 Katori
 D709,754 S 7/2014 Lylyk
 8,780,201 B1 7/2014 Scalisi et al.
 D710,676 S 8/2014 Kiechel
 D710,727 S * 8/2014 Siminoff D10/118.1
 D710,728 S * 8/2014 Siminoff D10/118.1
 D711,275 S 8/2014 Scalisi
 8,823,795 B1 9/2014 Scalisi et al.
 8,834,044 B2 9/2014 Uehara
 8,842,180 B1 9/2014 Kasmir et al.
 8,872,915 B1 10/2014 Scalisi et al.
 D719,205 S 12/2014 Matsumoto
 D719,994 S 12/2014 Wang
 D721,755 S 1/2015 Ahman
 8,937,659 B1 1/2015 Scalisi et al.
 8,941,736 B1 1/2015 Scalisi
 D722,709 S 2/2015 Bosua
 8,947,530 B1 2/2015 Scalisi
 8,953,040 B1 2/2015 Scalisi et al.
 D727,769 S 4/2015 Scalisi

D727,989 S 4/2015 Hasuda
 9,013,575 B2 4/2015 Scalisi
 D728,655 S 5/2015 Daniel
 D729,678 S 5/2015 Scalisi
 D729,859 S 5/2015 Shin
 9,049,352 B2 6/2015 Scalisi et al.
 9,055,202 B1 6/2015 Scalisi et al.
 9,058,738 B1 6/2015 Scalisi
 9,060,103 B2 6/2015 Scalisi
 9,060,104 B2 6/2015 Scalisi
 9,065,987 B2 6/2015 Kasmir et al.
 D733,780 S 7/2015 Chen
 D734,801 S 7/2015 Yang
 9,094,584 B2 7/2015 Scalisi et al.
 D736,294 S 8/2015 Scalisi
 D737,283 S 8/2015 Scalisi
 9,113,051 B1 8/2015 Scalisi
 9,113,052 B1 8/2015 Scalisi et al.
 9,118,819 B1 8/2015 Scalisi et al.
 9,142,214 B2 9/2015 Scalisi
 D740,873 S 10/2015 Scalisi
 9,160,987 B1 10/2015 Kasmir et al.
 9,165,444 B2 10/2015 Scalisi
 9,172,920 B1 10/2015 Kasmir et al.
 9,172,921 B1 10/2015 Scalisi et al.
 9,172,922 B1 10/2015 Kasmir et al.
 9,179,107 B1 11/2015 Scalisi et al.
 9,179,108 B1 11/2015 Scalisi et al.
 9,179,109 B1 11/2015 Kasmir et al.
 9,196,133 B2 11/2015 Scalisi et al.
 9,197,867 B1 11/2015 Scalisi et al.
 D764,958 S * 8/2016 Scalisi D10/118.2
 D765,530 S * 9/2016 Scalisi D10/118.2
 D778,195 S * 2/2017 Li D10/118.2
 9,584,775 B2 * 2/2017 Siminoff H04M 11/025
 2008/0036862 A1 2/2008 Lang
 2011/0156566 A1 6/2011 Chen
 2013/0045763 A1 2/2013 Ruiz
 2014/0125754 A1 5/2014 Haywood
 2015/0022618 A1 1/2015 Siminoff
 2015/0049191 A1 2/2015 Scalisi et al.

OTHER PUBLICATIONS

DefenDoor by Glate LLC—Downloaded on Dec. 11, 2014 from <https://www.kickstarter.com/projects/85455040/defendoor-a-home-security-system-that-syncs-with-y>.
 EyeTalk—Downloaded on May 24, 2013 from <http://www.revolutionaryconceptsinc.com/forhome.html>.
 August Smart Lock—Downloaded on Oct. 10, 2014 from www.August.com.

* cited by examiner

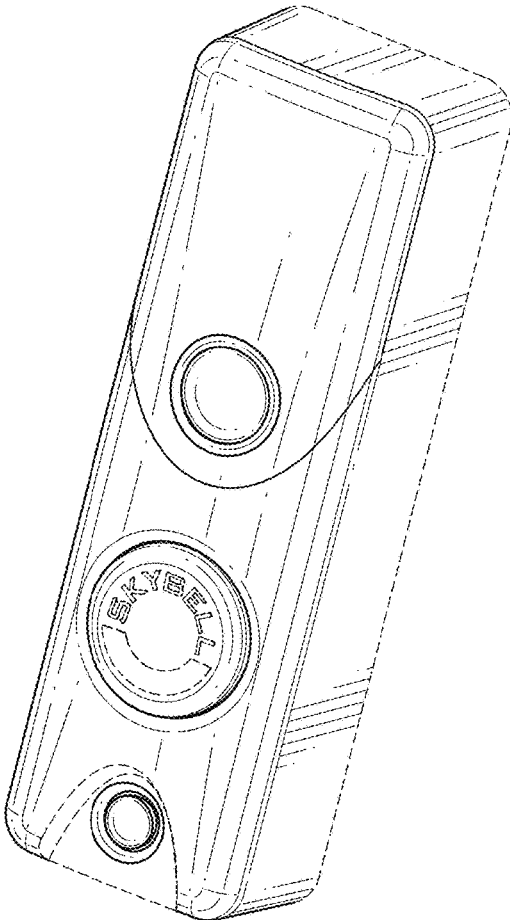


FIG. 1

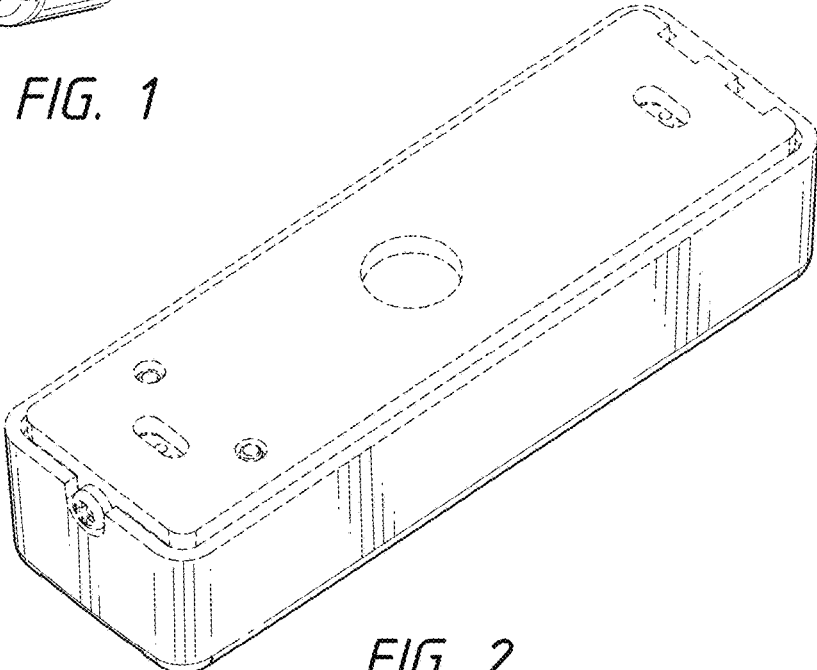


FIG. 2

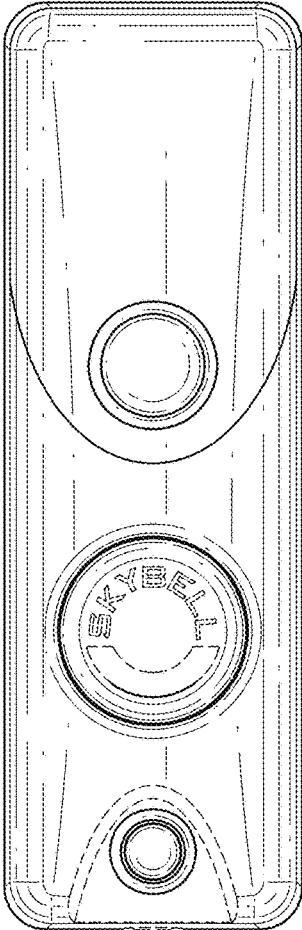


FIG. 3

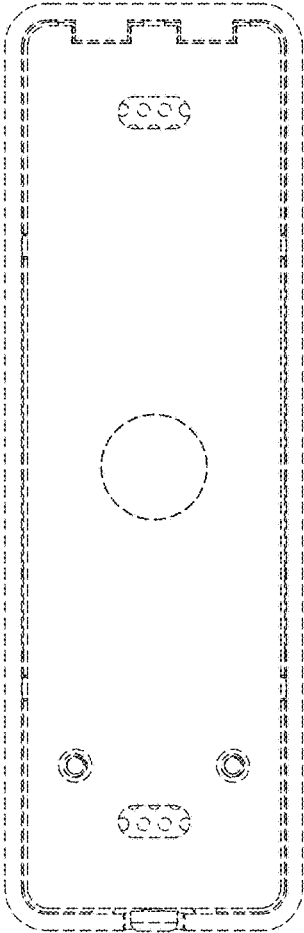


FIG. 4

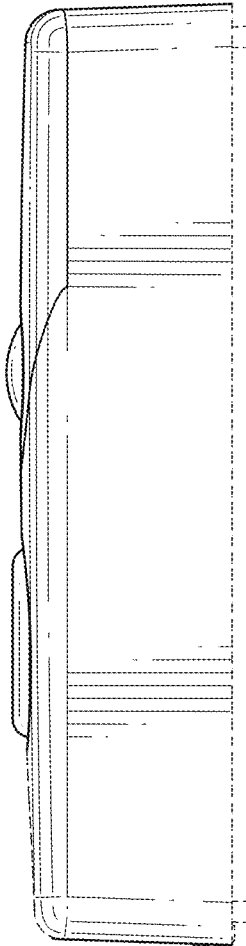


FIG. 5

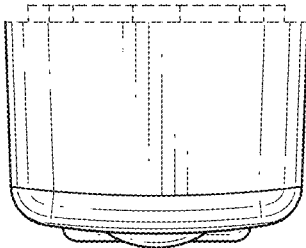


FIG. 6

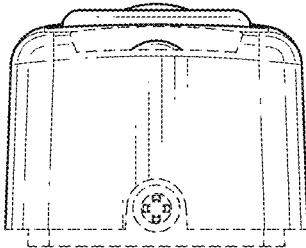


FIG. 7